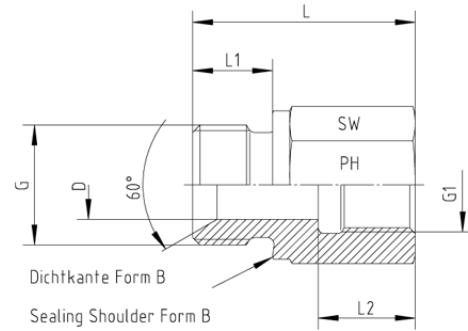
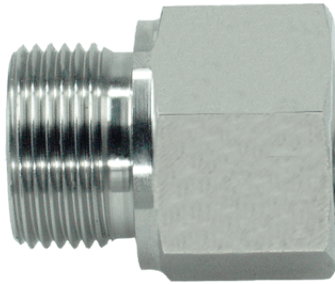


BSP - Male / Female - Form B



Form B With 60°-Cone at Male Thread Both Threads BSP - Parallel - DIN / ISO 228 Sealing by Sealing Shoulder Form B

Pressure	Thread		Approx. Dimensions					Form	Order-Code
	G = BSP	G1 = BSP	L	L1	L2	D	SW		
630	1/8"-28	1/8"-28	23,5	8,0	11,0	4,5	17	B	SS0548000
630	1/8"-28	1/4"-19	31,0	8,0	17,0	4,0	19	B	SS0548005
630	1/8"-28	3/8"-19	32,0	8,0	17,0	4,0	24	B	SS0548010
630	1/8"-28	1/2"-14	37,0	8,0	20,0	4,0	27	B	SS0548015
630	1/4"-19	1/8"-28	28,0	12,0	12,0	7,0	19	B	SS0548020
630	1/4"-19	1/4"-19	32,0	10,0	17,0	6,0	19	B	7290907505
630	1/4"-19	3/8"-19	36,0	12,0	17,0	7,0	24	B	SS0548030
630	1/4"-19	1/2"-14	40,0	12,0	20,0	5,0	27	B	SS0548035
630	1/4"-19	3/4"-14	43,0	12,0	22,0	6,0	36	B	SS0548040
400	3/8"-19	1/4"-19	36,0	12,0	17,0	8,0	22	B	SS0548045
400	3/8"-19	3/8"-19	36,0	12,0	17,0	9,0	24	B	SS0548050
400	3/8"-19	1/2"-14	41,0	12,0	20,0	8,0	27	B	SS0548055
400	3/8"-19	3/4"-14	44,0	12,0	22,0	8,0	36	B	SS0548060
400	3/8"-19	1"-11	46,5	12,0	24,5	8,0	41	B	SS0548065
400	1/2"-14	3/8"-19	36,0	14,0	17,0	12,0	27	B	SS0548070
400	1/2"-14	1/2"-14	39,0	14,0	20,0	12,0	27	B	SS0548075
400	1/2"-14	3/4"-14	46,0	14,0	22,0	12,0	36	B	SS0548080
400	1/2"-14	1"-11	49,0	14,0	24,5	12,0	41	B	SS0548085
250	1/2"-14	1 1/4"-11	53,0	14,0	26,5	12,0	55	B	SS0548090
400	3/4"-14	1/2"-14	41,0	16,0	20,0	16,0	32	B	SS0548095

400	3/4"-14	3/4"-14	45,0	16,0	22,5	18,0	32	B	7290300520
400	3/4"-14	1"-11	51,0	16,0	24,5	16,0	41	B	SS0548105
250	3/4"-14	1 1/4"-11	55,0	16,0	26,5	16,0	55	B	SS0548110
250	3/4"-14	1 1/2"-11	57,0	16,0	28,5	16,0	60	B	SS0548115
400	1"-11	3/4"-14	47,0	18,0	22,0	20,0	41	B	SS0548120
400	1"-11	1"-11	49,5	18,0	24,5	22,0	41	B	SS0548125
250	1"-11	1 1/4"-11	57,0	18,0	26,5	20,0	55	B	SS0548130
250	1"-11	1 1/2"-11	59,0	18,0	28,5	20,0	60	B	SS0548135
250	1 1/4"-11	1"-11	52,0	20,0	24,5	25,0	50	B	SS0548140
250	1 1/4"-11	1 1/4"-11	58,0	20,0	27,0	25,0	50	B	SS0548145
250	1 1/4"-11	1 1/2"-11	60,0	20,0	28,5	25,0	60	B	SS0548150
250	1 1/2"-11	1 1/4"-11	58,0	22,0	26,5	32,0	55	B	2595
250	1 1/2"-11	1 1/2"-11	58,0	22,0	27,5	37,0	55	B	SS0548160
100	2"-11	2"-11	64,5	23,0	30,5	43,0	70	B	SS0548165