

P3B6H™

Integral Bleed Valve

3/16" Bore Integral Bleed Valve



Parker Phoenix Precision Brand

Table of Contents

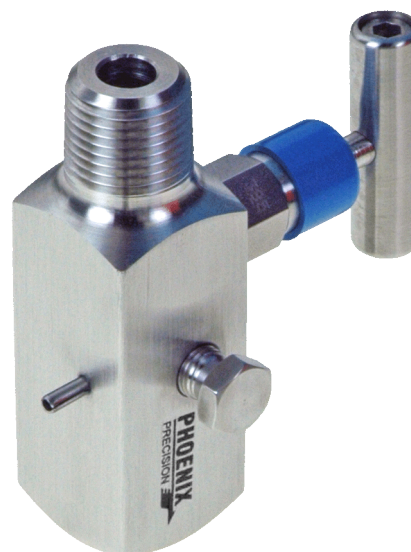
Overview, Features and Benefits	3
Technical Specifications	4
Bonnet Characteristics	5
Stem and Seat Characteristics	6
Model Numbering System	7



P3B6H™: 1/8" Bore Integral Bleed Valve

The Parker Phoenix Integral Bleed Valve is designed to use with pressure gauges and pressure switches. The valve is built using bar stock construction, a robust stem, and bonnets pinned for security.

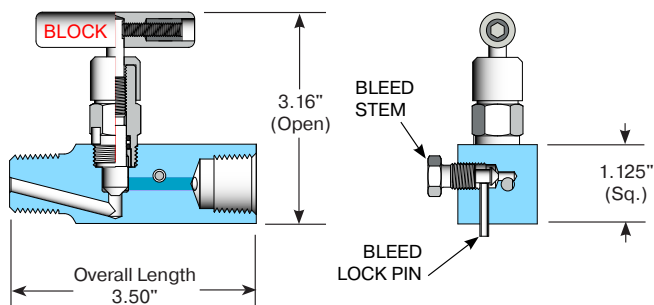
The valve's globe pattern provides maximum shut-off. Phoenix offers the valve in a variety of stem tips, materials and configurations that meet most application requirements.



Standard Features	Benefits
Hydrotested at 150% of rated pressure (shell test). Nitrogen gas tested to 2000 psi.	Complies with ASME B31.1 & B31.3 shell testing procedures as standard. Ensures structural integrity of valve.
Seat tightness (zero leakage) verified to 110% of rated pressure. Nitrogen gas tested to 2000 psi.	Complies with ASME B31.1 & B31.3 seat testing procedures as standard. Ensures zero leakage at seats for proper calibration.
Packing below stem threads	Prevents corrosion of critical stem threads
Metal body-to-bonnet seals are in compression, not tension	Mitigates risk of stress cracking
Stem threads are rolled, not cut	Higher quality stem for longer service life
8 RMS stem finish	Extended packing life
V-Style Teflon™ packing	30-40% less operational torque and less frequent packing adjustments than traditional Teflon™ packed valves
Pressure component materials sourced from the US, Canada or Europe	Reliable material traceability. MTR's provided with every order for pressure containing components.

P3B6H™: Technical Specifications

O-Ring Bonnet Configuration

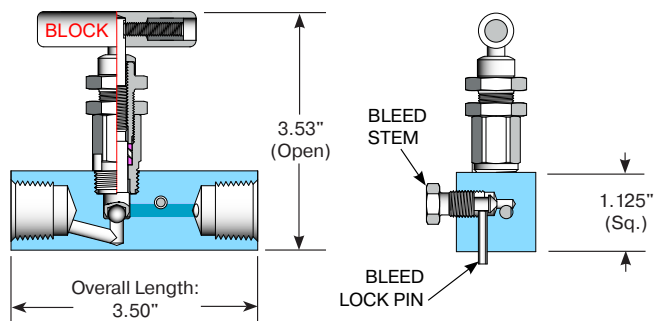


Specifications:

Type: P3B6H Valve, Globe Pattern
 Rating: Up to 6000 psi @ 100°F (41370 kPa @ 38°C)
 Stem: Needle tip or Ball tip
 Packing: Viton™ O-ring, Teflon™ or Grafoil™
 Seat: Integral
 Handle: Removable
 Bore Size: 3/16", 1/8" for Bleed
 Inlet Connections: 1/2" NPT, SW or FT, (3/4" for male NPT, SW Only)
 Outlet Connections: 1/2" NPT, SW or FT
 Bleed Port: 1/8" Pin
 Bonnet Lock: Pin or Plate
 Body Stock: 1.125" sq
 Weight: 1.13 lbs
 Special Service: O2 or CL cleaning available*

*Other specifications or services may be available.

Teflon™ Bonnet Configuration

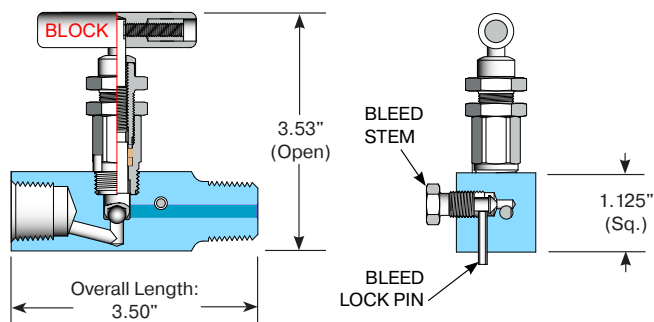


Specifications:

Type: P3B6H Valve, Globe Pattern
 Rating: Up to 6000 psi @ 100°F (41370 kPa @ 38°C)
 Stem: Needle tip or Ball tip
 Packing: Viton™ O-ring, Teflon™ or Grafoil™
 Seat: Integral
 Handle: Removable
 Bore Size: 3/16", 1/8" for Bleed
 Inlet Connections: 1/2" NPT, SW or FT, (3/4" for male NPT, SW Only)
 Outlet Connections: 1/2" NPT, SW or FT
 Bleed Port: 1/8" Pin
 Bonnet Lock: Pin or Plate
 Body Stock: 1.125" sq
 Weight: 1.19 lbs
 Special Service: O2 or CL cleaning available*

*Other specifications or services may be available.

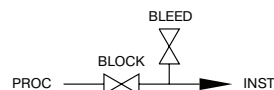
Grafoil™ Bonnet Configuration



Specifications:

Type: P3B6H Valve, Globe Pattern
 Rating: Up to 6000 psi @ 100°F (41370 kPa @ 38°C)
 Stem: Needle tip or Ball tip
 Packing: Viton™ O-ring, Teflon™ or Grafoil™
 Seat: Integral
 Handle: Removable
 Bore Size: 3/16", 1/8" for Bleed
 Inlet Connections: 1/2" NPT, SW or FT, (3/4" for male NPT, SW Only)
 Outlet Connections: 1/2" NPT, SW or FT
 Bleed Port: 1/8" Pin
 Bonnet Lock: Pin or Plate
 Body Stock: 1.125" sq
 Weight: 1.19 lbs
 Special Service: O2 or CL cleaning available*

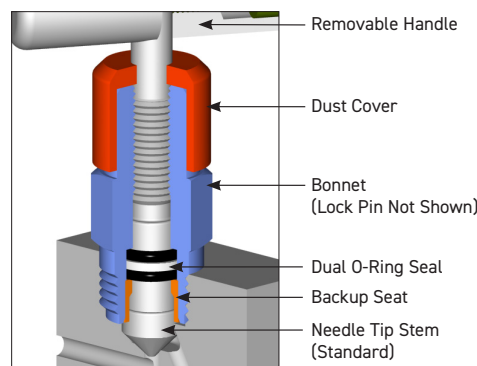
*Other specifications or services may be available.



P3B6H™: Bonnet Characteristics

O-Ring Bonnet Assembly

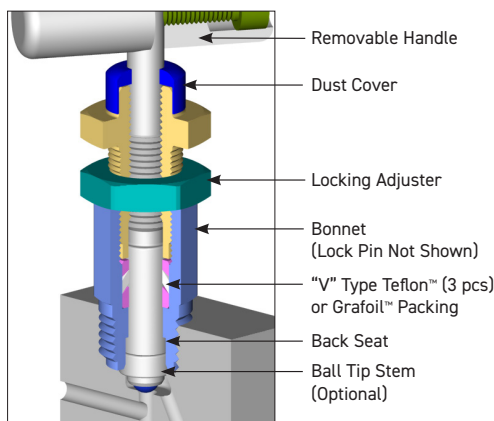
Standard Materials					
Valve	Body	Bonnet	Stem	Ball	Packing
CS	ASTM A108CS	ASTM A108CS	ASTM A582 303SS	SEE OPTION CODES ON PAGE 6	Dual Viton™ O-ring with Teflon™ backup ring
SC	ASTM A105CS	ASTM A182 316SS	ASTM A182 316SS		
316SS	ASTM A182 316SS	ASTM A182 316SS	ASTM A182 316SS		



Teflon™ or Grafoil™ Bonnet Assembly

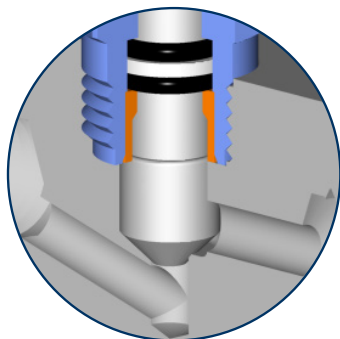
Standard Materials					
Valve	Body	Bonnet	Stem	Ball	Packing
CS	ASTM A108CS	ASTM A108CS	ASTM A582 303SS	SEE OPTION CODES ON PAGE 6	Teflon™ and Grafoil™
SC	ASTM A105CS	ASTM A182 316SS	ASTM A182 316SS		
316SS	ASTM A182 316SS	ASTM A182 316SS	ASTM A182 316SS		

NOTE: Low torque Grafoil™ available (G4 Packing Code)

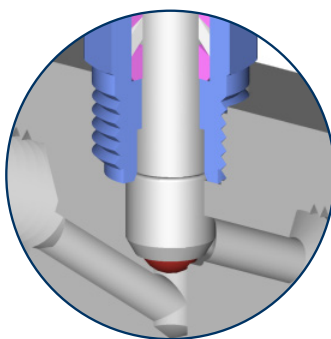


P3B6H™: Stem Tips and Seat Characteristics

Stem Tips

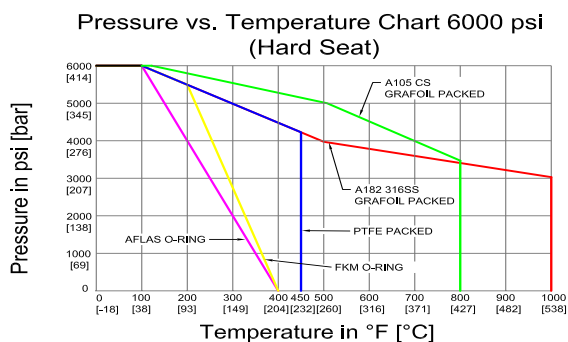


3/16" Bore Needle Tip
(Standard)



3/16" Bore Ball Tip
(Optional)

Pressure vs. Temperature (Hard Seat)



Note: Body material specifications based on ASME B16.34 - 2009. Packing material ratings based on manufacturer's specifications. Approximations only. Phoenix does not represent these values as finite. They are provided only as representative values.

P3B6H™: Model Numbering System

Phoenix	Orifice Size	Type	Inlet Size	Inlet Type	Outlet Size	Outlet Type	Material	Packing	Seat	Stem Tip	Option Codes	Description
P	3 3/16"	B6H	8 1/2"	F FNPT	8 1/2"	F FNPT	SS ASTM A182 316/316L	A Aflas™	Integral (leave blank)	Needle Tip Standard (leave blank)	LB	Bonnet Lock
			12 3/4" (Male only)	M MNPT	12 3/4"	M MNPT	SC ASTM A105 CS**	V Viton™ (FKM)		B 316SS Ball Tip	CC	Chlorine Clean
				MS* Male Socket weld		MS* Male Socket weld	CS ASTM A108 CS**	T Teflon™ (PTFE)		BC Ceramic Ball Tip	OC	Oxygen Clean
				FS* Female Socket weld		FS* Female Socket weld	C5 ASTM A350 LF2	G Grafoil™		BM Monel™ Ball Tip	TG	SS Tag
				FT Female Tube Fitting		FT Female Tube Fitting	N4 Monel™ 400	G4 Low Torque Grafoil™			SGI	Sour Gas ISO NACE Latest Rev.
							N6 Inconel™ 625				RA (R) (B)	Round Handle Aluminum (Red) (Blue)
							N8 Inconel™ 825				RC	Round Handle CS
							N2 Hastelloy™ C276				RS	Round Handle SS
EXAMPLE: P3B6H8M8FSSV = Phoenix, 3/16" Orifice, Integral Bleed Valve, 1/2" MNPT Inlet, 1/2" FNPT Outlet, 316 SS Body, Viton™ O-ring Packing, Needle Tip Stem												
P	3	B6H	8	M	8	F	SS	V			N4	Monel™ 400 Stem
											N5	Monel™ 500 Stem
											N6	Inconel™ 625 Stem
											N8	Inconel™ 825 Stem
											N2	Hastelloy™ C276 Stem

*For socket weld (SW) connections, specify MS or FS.
**For code applications, A108 CS is unacceptable, A105 CS must be selected for CS valves.

Use with Confidence, Parker Phoenix Precision Products Meet the Following Specifications:

- ASME B31.1 Power Piping
- ASME B31.3 Process Piping
- ASME B16.34 Valves - Flanged, Thread, and Welding End
- API 598 Valve Inspection and Testing
- MSS SP-25 Standard Marking Systems for Valves, Fittings and Flange Unions
- MSS SP-99 Instrument Valves
- MSS SP-105 Instrument Valves for Code Applications
- NACE MR0175 for all 316SS valves and A105CS body/316SS bonnet (SC Material Code)

Seal and Seat Material Temperature Rating

Code	Description	MIN. TEMP	MAX. TEMP
A	Aflas™	15°F (-10°C)	400°F (204°C)
V	Viton™	-20°F (-29°C)	400°F (204°C)
T	Teflon™	-65°F (-54°C)	450°F (232°C)
G	Grafoil™ (SS Body) (CS Body)	-70°F (-56°C) -70°F (-56°C)	1000°F (537°C) 800°F (427°C)
Note: Grafoil™ is suitable for services in excess of 1000°F in a non-oxidizing environment.			

Parker Hannifin Corporation
Instrumentation Products Division
1005 A Cleaner Way
Huntsville, AL 35805 USA
phone 256 881 2040
fax 256 881 5072

Parker Phoenix P3B6H™ 3/16" Bore Integral Bleed Valve
PPL-CAT-P3B6H-001 June 2024

© 2024 Parker Hannifin Corporation



parker.com/ipd