



Valve Fittings and Wellhead Components

Standard and Specialty Fittings and Components



ENGINEERING YOUR SUCCESS.

Table of Contents

Overview	4
Lubricant Flow and Ball Support	5
Vented Cap Body Grease Fittings	6
Blow Down Fittings	8
High Pressure Fittings	9
Packing / Bonnet Injection Fittings	11
Packing Injection / Giant Button Head Fitting	12
Combination Lubricant / Stick Injectors	13
Fittings Accessories	15
Body Vent (Bleeder) Fittings	16
Lock Seal Fittings	18
Pressure Relief Tools	19
Internal Check Fittings	20
Internal Relief Fittings	21
Orifice Fitting Components	22
Wellhead and Tree Components	23
Accessories	26



Overview

Engineers Your Success

The Parker Hannifin PGI business unit is the world's largest manufacturer of valve grease fittings. Serving as a grease fitting manufacturer since 1941, the PGI business unit provides grease fittings used to lubricate mechanical systems such as wellheads and valves and to inject grease to improve pipeline integrity.

In addition to valve fittings, the PGI business unit also provides components for wellheads. These components are quality machined and are used for the proper operation of oil and gas wellheads.

PGI business unit fittings and components conform to NACE, API, ANSI and ISO-9001:2015 specifications.

Contract Manufacturing

We have performed contract manufacturing of quality machined components, sub-assemblies and full assemblies for over 70 years to suppliers and manufacturers of oilfield equipment, power plant products, and petrochemical equipment. Contract manufacturing has always been and will continue to be a very important segment of our business.

We are experienced in conforming to NACE, API and ANSI specifications, with full traceability if required. We have the ability to machine mild and medium carbon steel, alloy steel, stainless alloy, Monel, Inconel and aluminum. We welcome your inquiries.

API

Our quality management system was audited and successfully met the requirements of the American Petroleum Institute (API) specification Q1 and API 6A. We have been granted the rights to use the Official API Monogram on applicable manufactured products.

Temperature Rating

The temperature rating for the PGI business unit grease fittings is for dynamic systems. A vast majority of systems where our fittings are used fall in this category. Most PGI business unit grease fittings are rated for 350 °F (176 °C). For systems with higher temperature requirements or sub-sea low temperature applications, consult the factory.

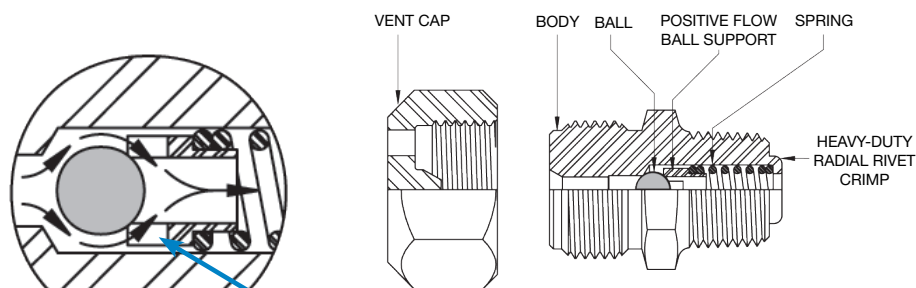


Lubricant Flow and Ball Support

Positive Flow Ball Support

Our standard body grease fitting features the Positive Flow Ball Support. This design directs the flow of the lubricant and/or sealant through the center of the spring without passing through the spring coil, reducing the tendency to "packoff." The Positive Flow Ball Support is available in many fitting styles.

Another feature of the standard body grease fitting is the heavy-duty radial rivet crimp. This special crimp provides the best "blow-out" protection of any available crimp style fitting. The radial rivet crimp process conforms to the latest revision of NACE.

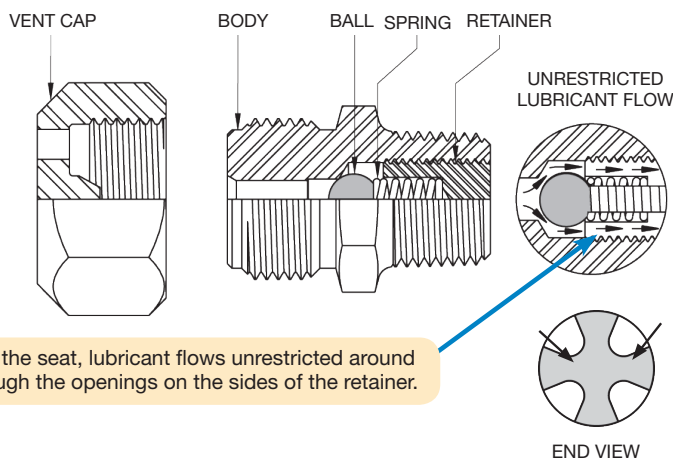


Lubricant passes around the ball and through the center of the ball support and spring, without passing through the spring coil.

Free Flow Design

The Free Flow fitting utilizes a unique spring retainer that is threaded into the body of the fitting. This special retainer also acts as a ball support and spring guide, and its design allows for the Free Flow of lubricants and sealant around the spring, instead of through it. Some benefits are:

- Only unrestricted flow path on the market - the straight-line passageway significantly reduces tendency to "pack off."
- Guaranteed against "blow out" when used within design limitations of the fitting. Excellent in extreme cold environments.
- Increased flow rates due to the unrestricted flow path.
- Meets latest revision of NACE — no cold working of materials.



When the ball is off the seat, lubricant flows unrestricted around the spring and through the openings on the sides of the retainer.

Vented Cap Body Grease Fittings

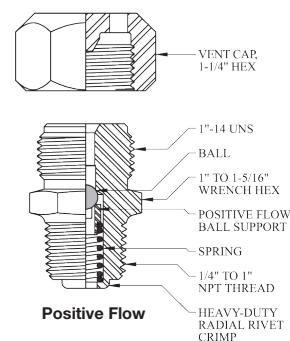
Vented Cap Body Grease Fittings

Type	Seat Style	Thread Type*	Thread Size	Material*
BG	10 = Hard Seat Standard Body, Positive Flow	N = Standard NPT	2 = 1/4"	10 = 1215
BH	22 = Free Flow II	S = Straight Thread	3 = 3/8"	30 = A105
	27 = Double Check Hard/Soft Seat	T = British Standard Pipe Taper (BSPT)	4 = 1/2"	80 = 4140
	30 = Hard Seat with LP Thread		6 = 3/4"	C0 = 316 SS
	33 = Double Check		8 = 1"	F0 = 17-4PH
				H0 = Inconel® 718

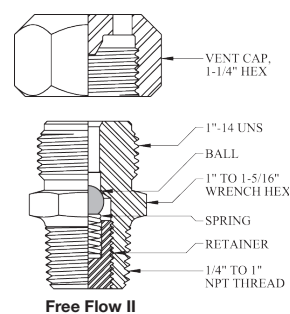
* Others may be available upon request - SEE BELOW FOR AVAILABLE CONFIGURATIONS

Vented Cap Body: For Service to 10,000 PSI

Thread Size	Material	Part No	Plating	Heat Treatment	Ball	Spring
1" NPT	1215	BG10N8-10	Zinc	---	AISI 52100 Chrome Alloy	302 SS
	316 SS	BG10N8-C0	---	Annealed (NACE)	K-Monel®	Inconel® X-750
	4140	BG10N8-80	Zinc	Rc 22 Max (NACE)		
3/4" NPT	1215	BG10N6-10	Zinc	---	AISI 52100 Chrome Alloy	302 SS
	316 SS	BG10N6-C0	---	Annealed (NACE)	K-Monel®	Inconel® X-750
	4140	BG10N6-80	Zinc	Rc 22 Max (NACE)		
1/2" NPT	1215	BG10N4-10	Zinc	---	AISI 52100 Chrome Alloy	302 SS
	316 SS	BG10N4-C0	---	Annealed (NACE)	K-Monel®	Inconel® X-750
	4140	BG10N4-80	Zinc	Rc 22 Max (NACE)		
3/8" NPT	1215	BG10N3-10	Zinc	---	AISI 52100 Chrome Alloy	Inconel® X-750
	316 SS	BG10N3-C0	---	Annealed (NACE)	K-Monel®	
	4140	BG10N3-80	Zinc	Rc 22 Max (NACE)		
1/4" NPT	1215	BG10N2-10	Zinc	---	AISI 52100 Chrome Alloy	302 SS
	316 SS	BG10N2-C0	---	Annealed (NACE)	K-Monel®	Inconel® X-750
	4140	BG10N2-80	Zinc	Rc 22 Max (NACE)		



Thread Size	Material	Part No	Plating	Heat Treatment	Ball	Spring
1" NPT	1215	BG22N8-10	Zinc	---	AISI 52100 Chrome Alloy	302 SS
	316 SS	BG22N8-C0	---	Annealed (NACE)	K-Monel®	Inconel® X-750
	4140	BG22N8-80	Zinc	Rc 22 Max (NACE)		
3/4" NPT	1215	BG22N6-10	Zinc	---	AISI 52100 Chrome Alloy	302 SS
	316 SS	BG22N6-C0	---	Annealed (NACE)	K-Monel®	Inconel® X-750
	4140	BG22N6-80	Zinc	Rc 22 Max (NACE)		
1/2" NPT	1215	BG22N4-10	Zinc	---	AISI 52100 Chrome Alloy	302 SS
	316 SS	BG22N4-C0	---	Annealed (NACE)	K-Monel®	Inconel® X-750
	4140	BG22N4-80	Zinc	Rc 22 Max (NACE)		
3/8" NPT	1215	BG22N3-10	Zinc	---	AISI 52100 Chrome Alloy	302 SS
	316 SS	BG22N3-C0	---	Annealed (NACE)	K-Monel®	Inconel® X-750
	4140	BG22N3-80	Zinc	Rc 22 Max (NACE)		
1/4" NPT	1215	BG22N2-10	Zinc	---	AISI 52100 Chrome Alloy	302 SS
	316 SS	BG22N2-C0	---	Annealed (NACE)	K-Monel®	Inconel® X-750
	4140	BG22N2-80	Zinc	Rc 22 Max (NACE)		

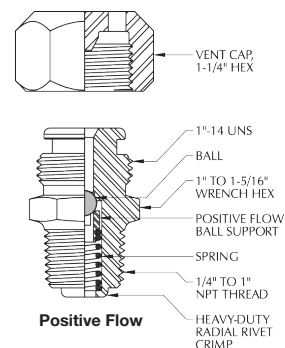


NOTE: Consult factory for configurations not shown.

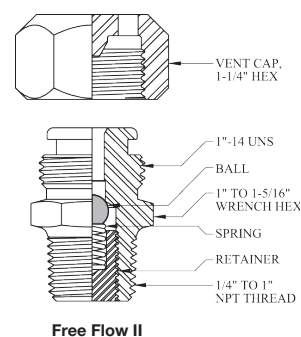
Vented Cap Body Grease Fittings

Vented Cap Body with Giant Button Head: For Service to 10,000 PSI

Thread Size	Material	Part No	Plating	Heat Treatment	Ball	Spring
1" NPT	1215	BH10N8-10	Zinc	---	AISI 52100 Chrome Alloy	302 SS
	316 SS	BH10N8-C0	---	Annealed (NACE)	K-Monel®	Inconel® X-750
	4140	BH10N8-80	Zinc	Rc 22 Max (NACE)		
3/4" NPT	1215	BH10N6-10	Zinc	---	AISI 52100 Chrome Alloy	302 SS
	316 SS	BH10N6-C0	---	Annealed (NACE)	K-Monel®	Inconel® X-750
	4140	BH10N6-80	Zinc	Rc 22 Max (NACE)		
1/2" NPT	1215	BH10N4-10	Zinc	---	AISI 52100 Chrome Alloy	302 SS
	316 SS	BH10N4-C0	---	Annealed (NACE)	K-Monel®	Inconel® X-750
	4140	BH10N4-80	Zinc	Rc 22 Max (NACE)		
3/8" NPT	1215	BH10N3-10	Zinc	---	AISI 52100 Chrome Alloy	302 SS
	316 SS	BH10N3-C0	---	Annealed (NACE)	K-Monel®	Inconel® X-750
	4140	BH10N3-80	Zinc	Rc 22 Max (NACE)		
1/4" NPT	1215	BH10N2-10	Zinc	---	AISI 52100 Chrome Alloy	302 SS
	316 SS	BH10N2-C0	---	Annealed (NACE)	K-Monel®	Inconel® X-750
	4140	BH10N2-80	Zinc	Rc 22 Max (NACE)		



Thread Size	Material	Part No	Plating	Heat Treatment	Ball	Spring
1" NPT	1215	BH22N8-10	Zinc	---	AISI 52100 Chrome Alloy	302 SS
	316 SS	BH22N8-C0	---	Annealed (NACE)	K-Monel®	Inconel® X-750
	4140	BH22N8-80	Zinc	Rc 22 Max (NACE)		
3/4" NPT	1215	BH22N6-10	Zinc	---	AISI 52100 Chrome Alloy	302 SS
	316 SS	BH22N6-C0	---	Annealed (NACE)	K-Monel®	Inconel® X-750
	4140	BH22N6-80	Zinc	Rc 22 Max (NACE)		
1/2" NPT	1215	BH22N4-10	Zinc	---	AISI 52100 Chrome Alloy	302 SS
	316 SS	BH22N4-C0	---	Annealed (NACE)	K-Monel®	Inconel® X-750
	4140	BH22N4-80	Zinc	Rc 22 Max (NACE)		
3/8" NPT	1215	BH22N3-10	Zinc	---	AISI 52100 Chrome Alloy	302 SS
	316 SS	BH22N3-C0	---	Annealed (NACE)	K-Monel®	Inconel® X-750
	4140	BH22N3-80	Zinc	Rc 22 Max (NACE)		
1/4" NPT	1215	BH22N2-10	Zinc	---	AISI 52100 Chrome Alloy	302 SS
	316 SS	BH22N2-C0	---	Annealed (NACE)	K-Monel®	Inconel® X-750
	4140	BH22N2-80	Zinc	Rc 22 Max (NACE)		



NOTE: Consult factory for configurations not shown.

Vented Cap Body Grease & Blow Down Fittings

Double Ball Fittings Can Only Be Used With Existing Pressure Relief Tool (page 19)

Double Check Giant Button Head Fitting
1/2" NPT Free Flow

- For service to 10,000 PSI
- For 1" - 14 UNS Giant Button Head Fittings
- Part Number: BH26G4-C0

Thread type G is a standard NPT with special gauging requirements of 1 to 1-1/2 turns deep.

Double Check Grease Fitting
1/2" NPT Free Flow

- For service to 10,000 PSI
- For 1" - 14 UNS Grease Fittings
- Part Number: BG27N4-80

Double Check Grease Fitting
3/4" - 16 UNF

- For service to 10,000 PSI
- For 1" - 14 UNS Vented Cap Fittings
- Part Number: BG33S6-80

NOTE: Consult factory for configurations not shown.

Blow Down Fitting
1/2" NPT

- For service to 10,000 PSI
- Part Number: HP10N4-F0

High Pressure Fittings

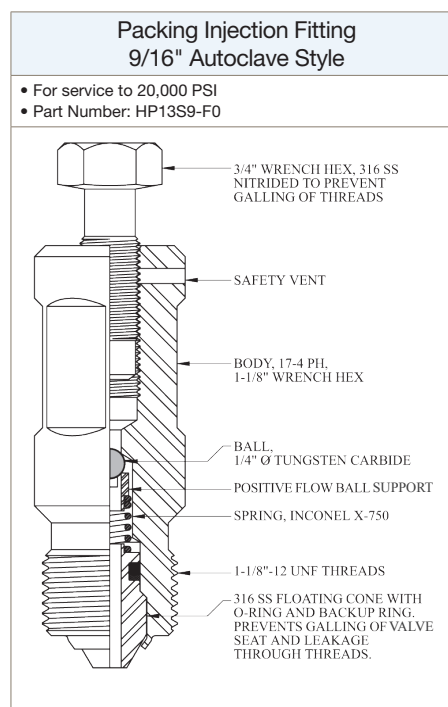
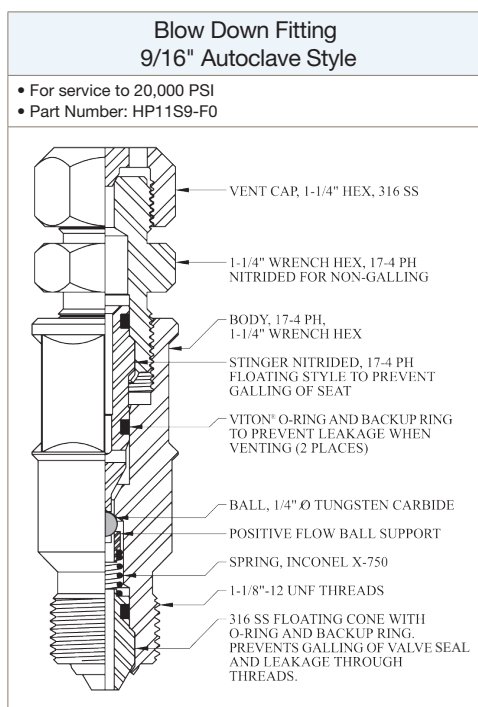
High Pressure Lubrication and Sealant Fittings

Type	Seat Style	Thread Type*	Thread Size	Material*
HP	10 = Standard Blow Down Fitting (10,000 psi)	P = Straight Pipe Thread (NPSM)	4 = 1/2"	80 = 4140
	11 = Autoclave Blow Down Body	S = Straight Thread	6 = 3/4"	C0 = 316 SS
	12 = Autoclave Sealant Body	N = Standard NPT	7 = 7/8"	F0 = 17-4Ph
	13 = Autoclave Packing Injection Fitting		9 = 1-1/8"	G0 = Inconel® 600
	18 = Autoclave Extended Cone Grease Fitting			H0 = Inconel® 718
	22 = Button Head Autoclave Sealant Body			
	25 = Autoclave Bleeder Fitting			
	27 = Autoclave Double Check			

EXAMPLE: HP12S9-F0 = High Pressure Fitting, Autoclave Sealant Body, Straight Thread, 1-1/8 12 UNF" Connection, 17-4Ph Body

HP	12	S	9	F0
----	----	---	---	----

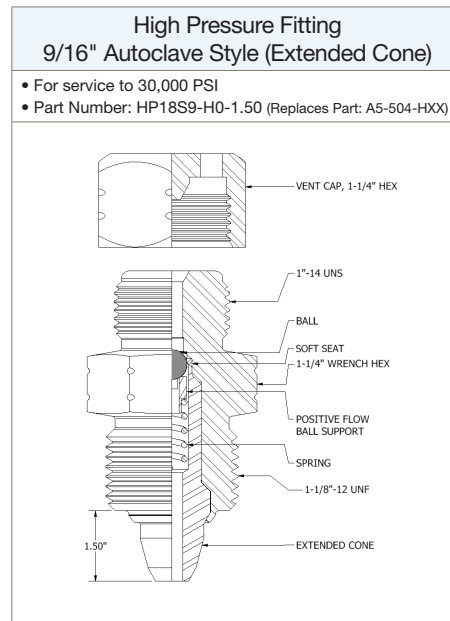
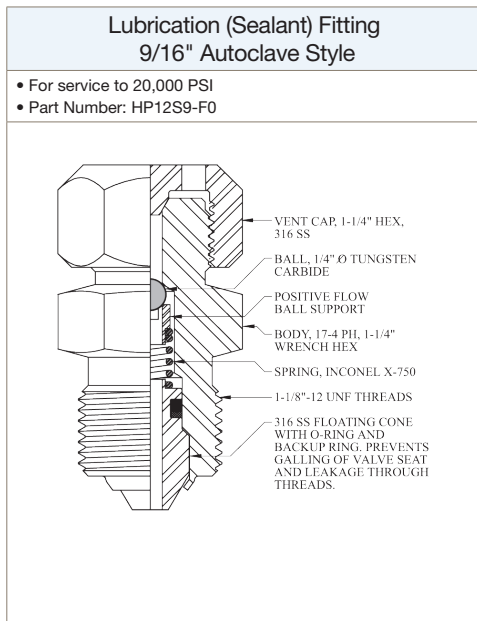
* Others may be available upon request - SEE BELOW FOR AVAILABLE CONFIGURATIONS



NOTE: Configurations are limited for the above shown options. Consult the factory for configurations not shown.

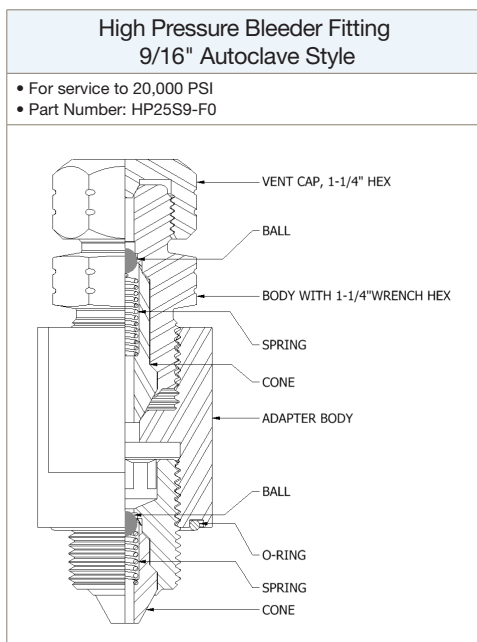
High Pressure Fittings

High Pressure Lubrication and Sealant Fittings

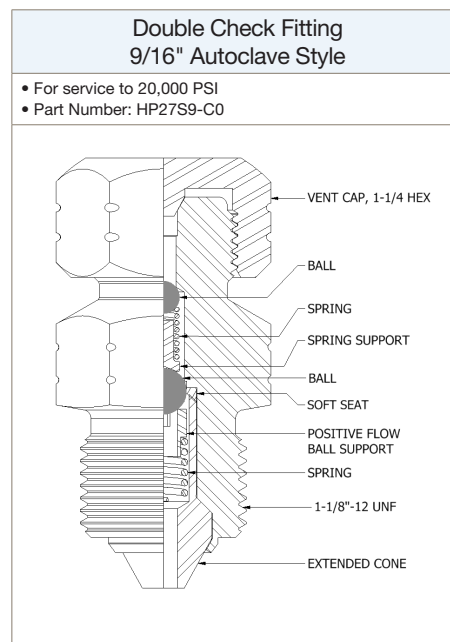


Soft Seat material is PEEK
Consult the factory for other extended cone lengths.

Double Ball Fittings can be used with existing Pressure Relief Tool



NOTE: Consult factory for configurations not shown.



Soft Seat material is PEEK
Consult the factory for other extended cone lengths.

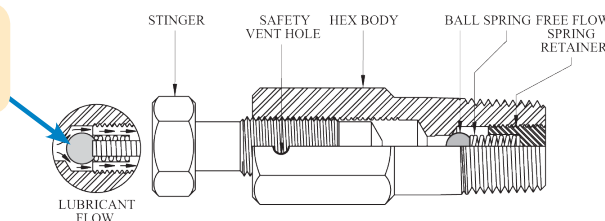
Packing/Bonnet Injection Fittings

Free Flow Design

The Free Flow design of the Body Grease Fitting has been incorporated into our Packing Injection Fittings. Compared to standard floating ball designs, the Free Flow's specially designed spring retainer allows even the heaviest of lubricants and/or sealant to flow freely through the Packing Injection Fitting. Some benefits are:

- Positive back seating is provided without relying on the presence of back pressure.
- Guaranteed against "blow out" when used within design limitations of the fitting. Excellent in extreme cold environments.
- Meets latest revision of NACE — no cold working of materials.

When the ball is off the seat, lubricant flows unrestricted around the spring and through the openings on the sides of the retainer.



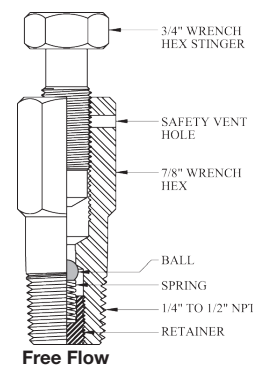
Type	Seat Style	Thread Type*	Thread Size	Material*
PF	10 = NPT Body, Taper Cavity (Floating Ball)	N = Standard NPT	2 = 1/4"	10 = 1215
	13 = Straight Thread, Taper Cavity (Floating Ball)	P = Straight Pipe Thread (NPSM)	3 = 3/8"	30 = A105
	22 = Free Flow II Body	S = Straight Thread	4 = 1/2"	80 = 4140
			6 = 3/4"	C0 = 316 SS
			8 = 1"	F0 = 17-4PH
				G0 = Inconel® 600
				H0 = Inconel® 718
EXAMPLE: PF10N4-10 = Packing Injection Fitting, Standard NPT Body, Standard NPT, 1/2" Connection, 1215 Body				
PF	10	N	4	10

* Others may be available upon request - SEE BELOW FOR AVAILABLE CONFIGURATIONS

Free Flow Packing Injection: For Service to 10,000 PSI

Thread Size	Material	Part No	Plating	Heat Treatment	Ball	Spring
1/2"	1215	PF22N4-10	Zinc	---	AISI 52100 Chrome Alloy	302 SS
	316 SS	PF22N4-C0	---	Annealed (NACE)	K-Monel®	Inconel® X-750
	4140	PF22N4-80	Zinc	Rc 22 Max (NACE)		
3/8"	1215	PF22N3-10	Zinc	---	AISI 52100 Chrome Alloy	302 SS
	316 SS	PF22N3-C0	---	Annealed (NACE)	K-Monel®	Inconel® X-750
	4140	PF22N3-80	Zinc	Rc 22 Max (NACE)		
1/4"	1215	PF22N2-10	Zinc	---	AISI 52100 Chrome Alloy	302 SS
	316 SS	PF22N2-C0	---	Annealed (NACE)	K-Monel®	Inconel® X-750
	4140	PF22N2-80	Zinc	Rc 22 Max (NACE)		

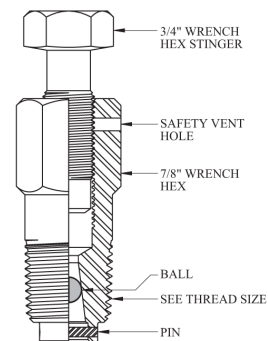
NOTE: Consult factory for configurations not shown.



Packing Injection/Giant Button Head Fitting

Packing Injection Fittings (Floating Ball-Taper Cavity)

Thread Size	Material	Part No	Plating	Heat Treatment	Ball
1/2"	1215	PF10N4-10	Zinc	---	AISI 52100 Chrome Alloy
	316 SS	PF10N4-C0	---	Annealed (NACE)	K-Monel®
	4140	PF10N4-80	Zinc	Rc 22 Max (NACE)	
3/8"	1215	PF10N3-10	Zinc	---	AISI 52100 Chrome Alloy
	316 SS	PF10N3-C0	---	Annealed (NACE)	K-Monel®
	4140	PF10N3-80	Zinc	Rc 22 Max (NACE)	
1/4"	1215	PF10N2-10	Zinc	---	AISI 52100 Chrome Alloy
	316 SS	PF10N2-C0	---	Annealed (NACE)	K-Monel®
	4140	PF10N2-80	Zinc	Rc 22 Max (NACE)	



Floating Ball - Taper Cavity

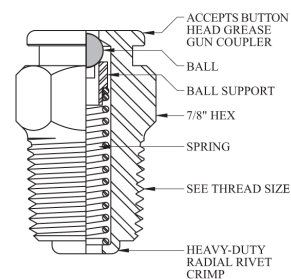
Giant Button Head Fitting (Single and Double Ball Check)

Fitting Type	Seat Style	Thread Type*	Process Connection	Material*
GB	10 = Standard Single Check	N = Standard NPT	1 = 1/8"	10 = 1215
	11 = Standard Double Check	P = Straight Pipe Thread (NPSM)	2 = 1/4"	30 = A105
	12 = Double Check, Short	S = Straight Thread	3 = 3/8"	80 = 4140
	15 = Double Check, Long		4 = 1/2"	C0 = 316 SS
	21 = Double Check Giant Button Head		5 = 5/8"	F0 = 17-4PH
	30 = Double Check Giant Button Head with Floating Cone		6 = 3/4"	H0 = Inconel® 718
			8 = 1"	

* Others may be available upon request - SEE BELOW FOR AVAILABLE CONFIGURATIONS

Giant Button Head Fitting (Single Ball Check)

Thread Size	Material	Part No	Plating	Heat Treatment	Ball	Spring
1"	1215	GB10N8-10	Zinc	---	AISI 52100 Chrome Alloy	302 SS
	316 SS	GB10N8-C0	---	Annealed (NACE)	K-Monel®	Inconel® X-750
	4140	GB10N8-80	Zinc	Rc 22 Max (NACE)		
3/4"	1215	GB10N6-10	Zinc	---	AISI 52100 Chrome Alloy	302 SS
	316 SS	GB10N6-C0	---	Annealed (NACE)	K-Monel®	Inconel® X-750
	4140	GB10N6-80	Zinc	Rc 22 Max (NACE)		
1/2"	1215	GB10N4-10	Zinc	---	AISI 52100 Chrome Alloy	302 SS
	316 SS	GB10N4-C0	---	Annealed (NACE)	K-Monel®	Inconel® X-750
	4140	GB10N4-80	Zinc	Rc 22 Max (NACE)		
3/8"	1215	GB10N3-10	Zinc	---	AISI 52100 Chrome Alloy	302 SS
	316 SS	GB10N3-C0	---	Annealed (NACE)	K-Monel®	Inconel® X-750
	4140	GB10N3-80	Zinc	Rc 22 Max (NACE)		
1/4"	1215	GB10N2-10	Zinc	---	AISI 52100 Chrome Alloy	302 SS
	316 SS	GB10N2-C0	---	Annealed (NACE)	K-Monel®	Inconel® X-750
	4140	GB10N2-80	Zinc	Rc 22 Max (NACE)		
3/4" - 10 UNC	1215	GB16S6-10	Zinc	---	AISI 52100 Chrome Alloy	302 SS
5/8" - 11 UNC	1215	GB17S5-10	Zinc	---	AISI 52100 Chrome Alloy	302 SS



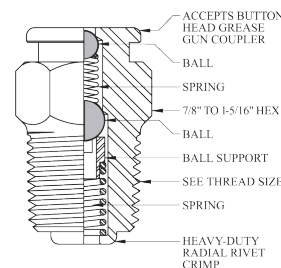
For Service to 10,000 PSI

NOTE: Consult factory for configurations not shown.

Combination Lubricant/Stick Injectors

Giant Button Head Fitting (Double Ball Check)

Thread Size	Material	Part No	Plating	Heat Treatment	Ball	Spring
1/2"	1215	GB11N4-10	Zinc	---	AISI 52100 Chrome Alloy	302 SS
	316 SS	GB11N4-C0	---	Annealed (NACE)	K-Monel®	Inconel® X-750
	4140	GB11N4-80	Zinc	Rc 22 Max (NACE)		
3/8"	1215	GB11N3-10	Zinc	---	AISI 52100 Chrome Alloy	302 SS
	316 SS	GB11N3-C0	---	Annealed (NACE)	K-Monel®	Inconel® X-750
	4140	GB11N3-80	Zinc	Rc 22 Max (NACE)		
1/4"	1215	GB11N2-10	Zinc	---	AISI 52100 Chrome Alloy	302 SS
	316 SS	GB11N2-C0	---	Annealed (NACE)	K-Monel®	Inconel® X-750
	4140	GB11N2-80	Zinc	Rc 22 Max (NACE)		
1/8"	1215	GB11N1-10	Zinc	---	AISI 52100 Chrome Alloy	302 SS
	316 SS	GB11N1-C0	---	Annealed (NACE)	K-Monel®	Inconel® X-750
	4140	GB11N1-80	Zinc	Rc 22 Max (NACE)		
3/8" - 16 UNC	1215	GB18S3-10	Zinc	---	AISI 52100 Chrome Alloy	302 SS



For Service to 10,000 PSI

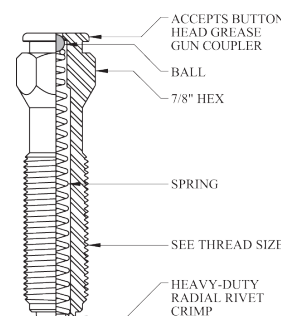
Combination Lubricant/Stick Injector

Fitting Type	Seat Style	Thread Type*	Process Connection	Material*
CL	10 = Standard single check NPSM	P = Straight Pipe Thread (NPSM)	2 = 1/4"	10 = 1215
	11 = Standard double check NPSM	S = Straight Thread	3 = 3/8"	30 = A105
	14 = 10 pitch straight thread, double check+		4 = 1/2"	80 = 4140
	15 = 11 pitch straight thread, double check+		5 = 5/8"	C0 = 316 SS
	16 = Double Check, 9 UNC+		6 = 3/4"	F0 = 17-4PH
	17 = 16 pitch straight threads, single check+		7 = 7/8"	G0 = Inconel® 600
	21 = Single Check, 10 UNC+			H0 = Inconel® 718
	24 = Non-standard, single check NPSM			
EXAMPLE: CL11P2-10 = Combination Lube Fitting, Standard double check NPSM, Straight pipe thread, 1/4" Connection, 1215 Body				
CL	11	P	2	10

* Others may be available upon request - SEE BELOW FOR AVAILABLE CONFIGURATIONS
+ Only available in straight threads

Combination Single Ball Check: For Service to 10,000 PSI

Thread Size	Material	Part No	Plating	Heat Treatment	Ball	Spring	OAL
3/4" NPSM	1215	CL10P6-10	Zinc	---	AISI 52100 Chrome Alloy	302 SS	4-5/8"
	316 SS	CL10P6-C0	---	Annealed (NACE)	K-Monel®	Inconel® X-750	4-5/8"
1/2" NPSM	1215	CL10P4-10	Zinc	---	AISI 52100 Chrome Alloy	302 SS	3-5/8"
	316 SS	CL10P4-C0	---	Annealed (NACE)	K-Monel®	Inconel® X-750	3-9/16"
3/8" NPSM	1215	CL10P3-10	Zinc	---	AISI 52100 Chrome Alloy	302 SS	3-1/4"
	316 SS	CL10P3-C0	---	Annealed (NACE)	K-Monel®	Inconel® X-750	3-1/4"
1/4"	1215	CL10P2-10	Zinc	---	AISI 52100 Chrome Alloy	302 SS	2-7/16"
	316 SS	CL10P2-C0	---	Annealed (NACE)	K-Monel®	Inconel® X-750	2-7/16"



NOTE: Consult factory for configurations not shown.

Valve Fittings and Wellhead Components • PGI-VF-WC • 0818

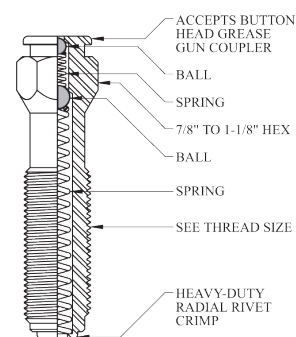
Combination Lubricant/Stick Injectors

Combination Single Ball Check: For Service to 10,000 PS

Thread Size	Material	Part No	Plating	Heat Treatment	Ball	Spring	OAL
1" - 10 UNC	1215	CL21S8-10	Zinc	---	AISI 52100 Chrome Alloy	302 SS	4-5/8"
3/4"-10 UNC	1215	CL10S6-10	Zinc	---	AISI 52100 Chrome Alloy	302 SS	3-9/32"
1/2" - 13 UNC	1215	CL10S4-10	Zinc	---	AISI 52100 Chrome Alloy	302 SS	2-1/8"
3/8" - 16 UNC	1215	CL17S3-10	Zinc	---	AISI 52100 Chrome Alloy	302 SS	1-1/2"

Combination Double Ball Check: For Service to 10,000 PSI

Thread Size	Material	Part No	Plating	Heat Treatment	Ball	Spring	OAL
3/4" NPSM	1215	CL11P6-10	Zinc	---	AISI 52100 Chrome Alloy	302 SS	4-5/8"
	316 SS	CL11P6-C0	---	Annealed (NACE)	K-Monel®	Inconel® X-750	4-5/8"
1/2" NPSM	1215	CL11P4-10	Zinc	---	AISI 52100 Chrome Alloy	302 SS	3-5/8"
	316 SS	CL11P4-C0	---	Annealed (NACE)	K-Monel®	Inconel® X-750	3-9/16"
3/8" NPSM	1215	CL11P3-10	Zinc	---	AISI 52100 Chrome Alloy	302 SS	3-1/4"
	316 SS	CL11P3-C0	---	Annealed (NACE)	K-Monel®	Inconel® X-750	3-1/4"
1/4"	1215	CL11P2-10	Zinc	---	AISI 52100 Chrome Alloy	302 SS	2-7/16"
	316 SS	CL11P2-C0	---	Annealed (NACE)	K-Monel®	Inconel® X-750	2-7/16"
7/8" - 9 UNC	1215	CL16S7-10	Zinc	---	AISI 52100 Chrome Alloy	302 SS	3-1/8"
3/4"-10 UNC	1215	CL14S6-10	Zinc	---	AISI 52100 Chrome Alloy	302 SS	3-1/16"
5/8" - 11 UNC	1215	CL15S5-10	Zinc	---	AISI 52100 Chrome Alloy	302 SS	2-7/8"



Fitting Accessories

Giant Button Head Coupler
Adapts to grease gun via 1/4" NPT male threads

Material	Part Number	Plating
1215	BHC78	Zinc

NOTE: Consult factory for configurations not shown.

Giant Button Head Coupler Top Entry
Adapts to grease gun via 1/4" NPT male threads

Material	Part Number	Plating
1215	BHC78-TE	Zinc

Grease Gun Lube Adapter Swivel and Nut
Adapts to grease gun via 1/4" NPT male threads

Material	Part Number		Plating
	Nut	Swivel	
1" - 14 UNS	1215	4140	LA10S8-10
	4140		LA10S8-80
	316 SS		LA10S8-C0
	17-4Ph		LA10S8-F0
7/8" - 14 UNS	1215		LA10S7-10
3/4" - 18 UNS	1215		LA10S6-10

Fittings Accessories

Fitting Accessories - continued

Safe Vent Coupler

Grease gun lube adapter with pressure release and check. Adapts to grease gun via 1/4" NPT male threads.

Lube Adapter Thread Size	Material		Part Number	Plating
	Nut	Swivel		
N/A	---	---	SV22N2-10	Zinc
1" - 14**	1215	4140	SV22N2-10-L1	
1" - 14**	1215	4140	SV22N2-10-L2*	
7/8" - 14**	1215	4140	SV22N2-10-L3	
3/4" - 16**	1215	4140	SV22N2-10-L4	

* WKM Style ** Shown above without lube adapter

Combination Lube Adapter

Grease gun lube adapter with giant button head and ball check

Thread Size (Nut)	Material		Part Number	Plating
	Nut	Swivel		
1" - 14 UNE	1215	4140	LA10S8-10-T2	Zinc
	4140		LA10S8-10-T2T3*	
7/8" - 14 UNE	1215	LA10S8-80-T3*		
3/4" - 16 UNE		LA10S7-10-T2		
		LA10S6-10-T2		

* WKM Style

Leak Lock Fittings: For temporary sealing of leaking button head fittings

Standard Style

Application	Part Number
Giant Button Head	LL1
Standard Button Head	LL2

Nylon Insert / Lock-On Style

Application	Part Number
Giant Button Head	LL1-NL
Standard Button Head	LL2-NL

NOTE: Consult factory for configurations not shown.

Body Vent (Bleeder) Fittings

Body Vent (Bleeder) Fittings: For Service to 10,000 PSI

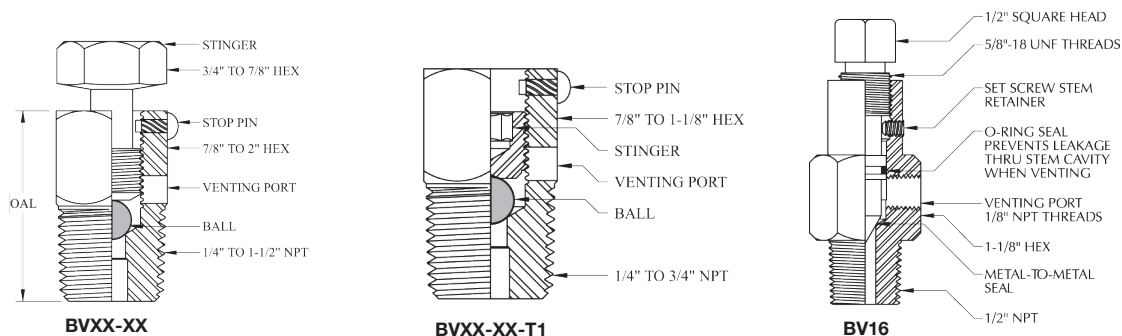
Body Vent (Bleeder) Fitting

Thread Size	Material		Part Number
	Body	Stem	
1" NPT	1018	4140	BV1-C-10
	316 SS	K-Monel®	BV1-C-2
3/4" NPT	1018	4140	BV34-C-10
	316 SS	K-Monel®	BV34-C-2

Body Vent (Bleeder) Fitting: 1/2" NPT

Thread Size	Material		Part Number
	Body	Stem	
1/2" NPT	1018	4140	BV12-C-10-Y2
	316 SS	17 -4pH	BV12-C-2-Y2

Standard and Socket Hex Head Style Body Vent Fittings: For Service to 10,000 PSI



Type	Seat Style	Thread Type*	Thread Size, Hex Size, OAL+	Material*	Options
BV	10 = Standard Body	N = Standard NPT	2 = 1/4", 7/8", 1-5/8"	10 = 1215	T1 = Hex Socket Head
	15 = MPSW Body		3 = 3/8", 7/8", 1-9/16"	30 = A105	
	16 = D Style		4 = 1/2", 7/8", 1-1/2"	80 = 4140	
			6 = 3/4", 1-1/8", 1-5/8"	C0 = 316 SS	
			8 = 1", 1-5/16", 2-3/16"	F0 = 17-4Ph	
			10 = 1-1/4", 1-3/4", 2-5/16"	G0 = Inconel® 600	
			12 = 1-1/2", 2", 2-5/8"	H0 = Inconel® 718	
EXAMPLE: BV10N4-80 = Body Vent Fitting, Standard Body, Standard NPT, 1/2" Connection, 7/8" Hex Size, 1-1/2" OAL, 4140 Body					
BV	10	N	4	80	

* Others may be available upon request - SEE BELOW FOR AVAILABLE CONFIGURATIONS + OAL is for standard sizes

NOTE: Consult factory for configurations not shown.

Body Vent (Bleeder) Fittings

Standard Hex Head Style

Thread Size	Material	Part No	HEX Size	OAL	Plating	Heat Treatment	BALL
1-1/2" NPT	1215	BV10N12-10	2"	2-5/8"	Zinc	---	440 SS
	316 SS	BV10N12-C0			---	Annealed (NACE)	Tungsten Carbide
	4140	BV10N12-80			Zinc	Rc 22 Max (NACE)	
1-1/4" NPT	1215	BV10N10-10	1-3/4"	2-5/16"	Zinc	----	440 SS
	316 SS	BV10N10-C0			---	Annealed (NACE)	Tungsten Carbide
	4140	BV10N10-80			Zinc	Rc 22 Max (NACE)	
1" NPT	1215	BV10N8-10	1-5/16"	2-3/16"	Zinc	---	440 SS
	316 SS	BV10N8-C0			---	Annealed (NACE)	Tungsten Carbide
	4140	BV10N8-80			Zinc	Rc 22 Max (NACE)	
3/4" NPT	1215	BV10N6-10	1-1/8"	1-5/8"	Zinc	---	440 SS
	316 SS	BV10N6-C0			---	Annealed (NACE)	Tungsten Carbide
	4140	BV10N6-80			Zinc	Rc 22 Max (NACE)	
1/2" NPT	1215	BV10N4-10	7/8"	1-1/2"	Zinc	---	440 SS
	316 SS	BV10N4-C0			---	Annealed (NACE)	Tungsten Carbide
	4140	BV10N4-80			Zinc	Rc 22 Max (NACE)	
3/8" NPT	1215	BV10N3-10	7/8"	1-9/16"	Zinc	---	440 SS
	316 SS	BV10N3-C0			---	Annealed (NACE)	Tungsten Carbide
	4140	BV10N3-80			Zinc	Rc 22 Max (NACE)	
1/4" NPT	1215	BV10N2-10	7/8"	1-5/8"	Zinc	---	440 SS
	316 SS	BV10N2-C0			---	Annealed (NACE)	Tungsten Carbide
	4140	BV10N2-80			Zinc	Rc 22 Max (NACE)	

Hex Socket Head Style

Thread Size	Material	Part No	HEX Size	OAL	Plating	Heat Treatment	BALL
3/4" NPT	1215	BV10N6-10-T1	1-1/8"	1-5/8"	Zinc	---	440 SS
	316 SS	BV10N6-C0-T1			---	Annealed (NACE)	Tungsten Carbide
	4140	BV10N6-80-T1			Zinc	Rc 22 Max (NACE)	
1/2" NPT	1215	BV10N4-10-T1	7/8"	1-1/2"	Zinc	---	440 SS
	316 SS	BV10N4-C0-T1			---	Annealed (NACE)	Tungsten Carbide
	4140	BV10N4-80-T1			Zinc	Rc 22 Max (NACE)	
3/8" NPT	1215	BV10N3-10-T1	7/8"	1-9/16"	Zinc	---	440 SS
	316 SS	BV10N3-C0-T1			---	Annealed (NACE)	Tungsten Carbide
	4140	BV10N3-80-T1			Zinc	Rc 22 Max (NACE)	
1/4" NPT	1215	BV10N2-10-T1	7/8"	1-5/8"	Zinc	---	440 SS
	316 SS	BV10N2-C0-T1			---	Annealed (NACE)	Tungsten Carbide
	4140	BV10N2-80-T1			Zinc	Rc 22 Max (NACE)	

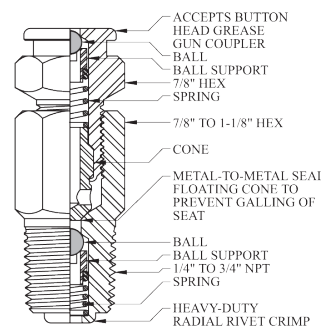
NOTE: Consult factory for configurations not shown.

Lock Seal Fittings

Double Ball Check 2-Piece Metal to Metal Seal with Floating Cone to Prevent Seat Galling

Fitting Type	Seat Style	Thread Type*	Thread Size	Material*
LS	10 = Standard Body	N = Standard NPT	2 = 1/4"	10 = 1215
	14 = Male NPT With British Standard Straight Pipe Female		3 = 3/8"	30 = A105
	22 = Free Flow II Body		4 = 1/2"	80 = 4140
			6 = 3/4"	C0 = 316 SS
			8 = 1"	F0 = 17-4Ph
				G0 = Inconel® 600
				H0 = Inconel® 718
EXAMPLE: LS22N2-80 = Lock Seal Fitting, Free Flow II Body, NPT Thread, 1/4" Connection, 4140 Body				
LS	22	N	2	4140

* Others may be available upon request - SEE BELOW FOR AVAILABLE CONFIGURATIONS



For Service to 10,000 PSI

Thread Size	Material	Part No	Plating	Heat Treatment	Ball	Spring
3/4" NPT	1215	LS10N6-10	Zinc	---	AISI 52100 Chrome Alloy	302 SS
	316 SS	LS10N6-C0	---	Annealed (NACE)	K-Monel®	Inconel® X-750
1/2" NPT	1215	LS10N4-10	Zinc	---	AISI 52100 Chrome Alloy	302 SS
	316 SS	LS10N4-C0	---	Annealed (NACE)	K-Monel®	Inconel® X-750
	4140	LS10N4-80	Zinc	Rc 22 Max (NACE)		
3/8" NPT	1215	LS10N3-10	Zinc	---	AISI 52100 Chrome Alloy	302 SS
	316 SS	LS10N3-C0	---	Annealed (NACE)	K-Monel®	Inconel® X-750
	4140	LS10N3-80	Zinc	Rc 22 Max (NACE)		
1/4" NPT	1215	LS10N2-10	Zinc	---	AISI 52100 Chrome Alloy	302 SS
	316 SS	LS10N2-C0	---	Annealed (NACE)	K-Monel®	Inconel® X-750
	4140	LS10N2-80	Zinc	Rc 22 Max (NACE)		

Floating Ball - Taper Cavity: For Service to 10,000 PSI

McEnvoy® Style Compound Fittings

3/4" -16 UNF Engagement Thread
1" -14 UNS Cap Thread

Material	Part Number	Plating	Heat Treatment	Ball
1215	BGF1-MCE	Zinc	---	CA*
316 SS	BGF1-MCE-2	---	Annealed (NACE)	K-Monel®
4140	BGF1-MCE-3	Zinc	Rc 22 Max (NACE)	

* CA = AISI 52100 Chrome Alloy | McEnvoy® is a trademark of Cameron International Corporation

McEnvoy® Style Grease Fittings

3/4" -16 UNF Engagement Thread
7/8" -14 UNS Cap Thread

Material	Part Number	Plating	Heat Treatment	Ball
1215	BGF78-MCE	Zinc	---	CA*
316 SS	BGF78-MCE-2	---	Annealed (NACE)	K-Monel®
4140	BGF78-MCE-3	Zinc	Rc 22 Max (NACE)	

* CA = AISI 52100 Chrome Alloy | McEnvoy® is a trademark of Cameron International Corporation

NOTE: Consult factory for configurations not shown.

Pressure Relief Tools

Pressure Relief Tools

NOTE: The shown pressure relief tools are exclusively designed for Parker PGI fittings.

Pressure Relief Tool

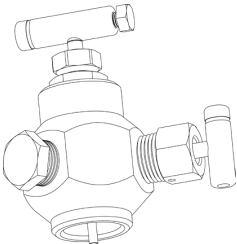
For Service to 10,000 PSI
For 1" -14 UNS Vented Cap Fittings
1/2" NPT Vent Port



Material	Part Number
1215	PR11S8-10
4140	PR11S8-80

Pressure Relief Tool with Bleeder

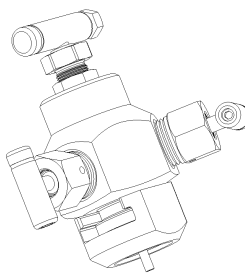
For Service to 10,000 PSI
For 1" -14 UNS Vented Cap Fittings
1/2" NPT Vent Port



Material	Part Number	Plating
1215	PR12S8-10	Zinc
1018	PR12S8-30	Zinc
4140	PR12S8-80	Zinc

Pressure Relief Tool with Bleeder & Swivel Nut

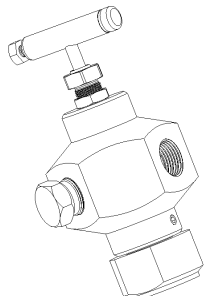
For Service to 10,000 PSI
For 1" -14 UNS Vented Cap Fittings
1/2" NPT Vent Port with Bleeder Valve



Material	Part Number	Plating
4140	PR13S8-80-T7	Zinc

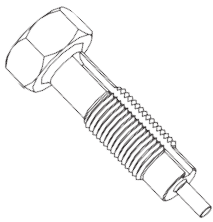
Pressure Relief Tool with Bleeder and Swivel Nut for High Pressure Fittings

For Service to 20,000 PSI
For 1" -14 UNS Vented Cap Fittings
1/4" NPT Vent Port with Autoclave Plug



Material	Part Number	Plating
4140	PR21S8-80	Zinc

Pressure Relief Tool for Packing Injection Fittings



Part Number
F2-021-10

NOTE: Consult factory for configurations not shown.

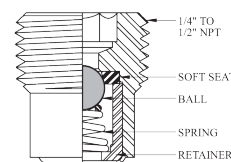
Internal Check Fittings

Single and Double Ball Check, Soft Seat, Spring Biased

Fitting Type	Seat Style	Thread Type*	Process Connection	Material*
IC	10 = Standard Body NPT Soft Seat w/ Allen Head Socket, Spring Biased	N = Standard NPT	1 = 1/8"	10 = 1215
	11 = Short Body NPT Soft Seat w/ Allen Head Socket, Spring Biased	P = Straight Pipe Thread (NPSM)	2 = 1/4"	30 = A105
	12 = Standard Hard Seat Double Check w/ Slot (Floating)	S = Straight Thread	3 = 3/8"	80 = 4140
	13 = Standard Straight Thread Hard Seat Single Check w/ Allen Head		4 = 1/2"	C0 = 316 SS
	27 = Soft Seat, Crimped, Single Check w/ Slot, Short PANCAKE STYLE		5 = 5/8"	F0 = 17-4PH
EXAMPLE: IC11N2-C0 = Internal Check, Short Body NPT Soft Seat, Standard NPT, 1/4" Connection, 316 SS Body				
IC	11	N	2	C0

* Others may be available upon request - SEE BELOW FOR AVAILABLE CONFIGURATIONS

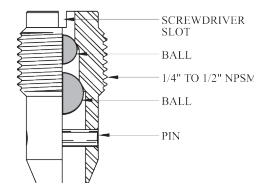
Thread Size	Material	Part No	Plating	Heat Treatment	Ball	Spring	OAL
1/2"	316 SS	IC10N4-C0	- - -	Annealed (NACE)	K-Monel®	Inconel® X-750	15/16"
	4140	IC10N4-80	Zinc	Rc 22 Max (NACE)			
3/8"	316 SS	IC10N3-C0	- - -	Annealed (NACE)	K-Monel®	Inconel® X-750	7/8"
	4140	IC10N3-80	Zinc	Rc 22 Max (NACE)			
1/4"	316 SS	IC10N2-C0	- - -	Annealed (NACE)	K-Monel®	Inconel® X-750	3/4"
	4140	IC10N2-80	Zinc	Rc 22 Max (NACE)			
	316 SS	IC11N2-C0	- - -	Annealed (NACE)	K-Monel®	Inconel® X-750	21/32"
	4140	IC11N2-80	Zinc	Rc 22 Max (NACE)			



IC10 & IC11

**Soft Seat material PTFE
For Service to 10,000 PSI**

Thread Size	Material	Part No	Plating	Heat Treatment	Ball	OAL
1/2" NPSM	1215	IC12P4-10	Zinc	- - -	AISI 52100 Chrome Alloy	1-5/8"
	316 SS	IC12P4-C0	- - -	Annealed (NACE)	K-Monel®	
3/8" NPSM	1215	IC12P3-10	Zinc	- - -	AISI 52100 Chrome Alloy	1-9/32"
	316 SS	IC12P3-C0	- - -	Annealed (NACE)	K-Monel®	
1/4" NPSM	1215	IC12P2-10	Zinc	- - -	AISI 52100 Chrome Alloy	1"
	316 SS	IC12P2-C0	- - -	Annealed (NACE)	K-Monel®	



IC12

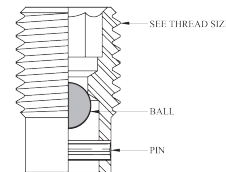
For Service to 10,000 PSI

NOTE: Consult factory for configurations not shown.

Internal Check/Internal Relief Fitting

Internal Check Fitting

Thread Size	Material	Part No	Plating	Heat Treatment	Ball	OAL
1" - 8 UNC	1215	IC13S8-10	Zinc	- - -	AISI 52100 Chrome Alloy	1-9/16"
	316 SS	IC13S8-C0	- - -	Annealed (NACE)	K-Monel®	
	4140	IC13S8-80	Zinc	Rc 22 Max (NACE)		
7/8" - 9 UNC	1215	IC13S7-10	Zinc	- - -	AISI 52100 Chrome Alloy	1-7/16"
	316 SS	IC13S7-C0	- - -	Annealed (NACE)	K-Monel®	
	4140	IC13S7-80	Zinc	Rc 22 Max (NACE)		
3/4" - 10 UNC	1215	IC13S6-10	Zinc	- - -	AISI 52100 Chrome Alloy	1-1/4"
	316 SS	IC13S6-C0	- - -	Annealed (NACE)	K-Monel®	
	4140	IC13S6-80	Zinc	Rc 22 Max (NACE)		



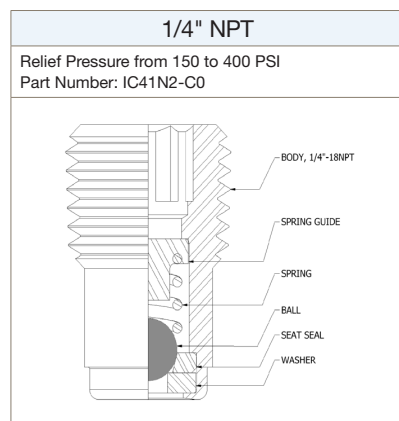
IC13

For Service to 10,000 PSI

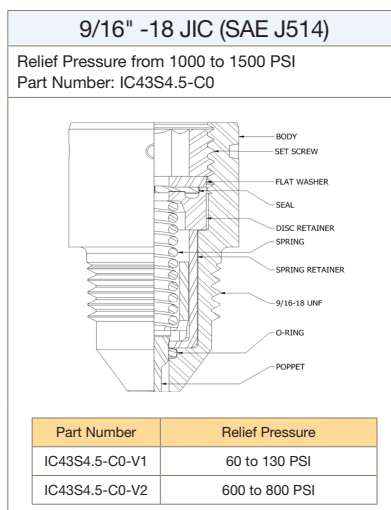
Internal Relief Fitting

Fitting Type	Seat Style	Thread Type*	Process Connection	Material*
IC	41 = Internal Relief Fitting, relief pressure from 150 to 400 PSI	N = Standard NPT	2 = 1/4"	10 = 1215
	43 = Internal Relief Fitting, 18 JIC (JAE J514), relief pressure	S = Straight Thread	3 = 3/8"	30 = A105
	53 = Internal Relief Fitting Autoclave Medium Pressure		4 = 1/2"	80 = 4140
			5 = 5/8"	C0 = 316 SS
			6 = 3/4"	F0 = 17-4PH
			7 = 7/8"	G0 = Inconel® 600
			8 = 1"	H0 = Inconel® 718
EXAMPLE: IC41N2-C0 = Internal relief fitting, 1/4" NPT, 316 SS				
IC	11	N	2	C0

* Others may be available upon request - SEE BELOW FOR AVAILABLE CONFIGURATIONS



NOTE: Consult factory for configurations not shown.



Orifice Fitting Components

Stuffing Box with Nut
1-9/16" -16 UNS

Material	Part Number	Plating
1215	ASB1562	Zinc

Bearing Plug
1-9/16" -16 UNS

Material	Part Number	Plating
1215	BP1562	Zinc

Packing (Gland) Retainer
1-9/16" -16 UNS

Description	Part Number	Material
5/8" I.D. x 1/4" OAL	PG625X25-2	Zinc
5/8" I.D. x 3/4" OAL	PG625X75-2	Zinc

Injection Fitting
"Grease Gun" 1/4" NPT

Material	Part Number	Plating	Heat Treatment	Ball
1215	PIF14-D	Zinc	- - -	CA*
316 SS	PIF14-D-2	- - -	Annealed (NACE)	K-Monel®
4140	PIF14-D-3	Zinc	Rc 22 Max (NACE)	

Equalizer Assembly
Sold as an assembly only.
Components not readily available for individual sale.

Material	Part Number	Stem	Compression Ring	Packing Ring	Gland Nut	Ball
1215	EQ78-2	316 SS	316 SS	PTFE	1215	440 SS
316 SS	EQ78-SP-2				316 SS	440 SS

* CA = AISI 52100 Chrome Alloy.
Other materials and plating available upon request.
NOTE: Consult factory for configurations not shown.

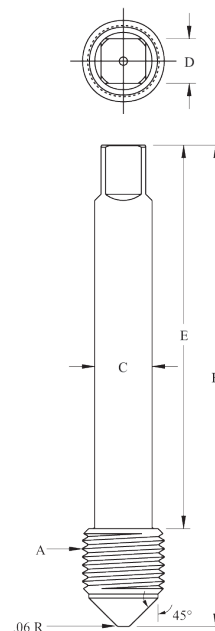
Wellhead and Tree Components

Lockscrews

Other materials, plating, and configurations are available upon request. Please consult the factory for product availabilities.

A Thread	B Length	C Diameter	D Flats	E Length	Part No.	Standard Gland
1-1/2"-8 UN	10-1/8"	1-1/8"	1"	7-5/16"	LP19S12-80	PG16S14-10
1-1/2"-8 UN	12"	1-1/8"	1"	9-5/32"	LP20S12-80	PG16S14-10
1-1/4"-12 UNF	6-7/8"	1"	3/4"	5-1/2"	LP14S10-80	PG13S13-10
1-1/4"-12 UNF	7-5/8"	1"	3/4"	6-13/65"	LP15S10-80	PG13S13-10
1-1/4"-12 UNF	9"	1"	3/4"	7-9/16"	LP16S10-80	PG13S13-10
1-1/4"-12 UNF	10"	1"	3/4"	8-9/16"	LP17S10-80	PG13S13-10
1-1/4"-12 UNF	11"	1"	3/4"	9-9/16"	LP18S10-80	PG13S13-10
1-1/4"-12 UNF	12-1/4"	1"	3/4"	10-15/16"	LP22S10-80	PG13S13-10
1-1/4"-12 UNF	13-1/2"	1"	3/4"	12-1/8"	LP25S10-80	PG13S13-10
1-1/4"-12 UNF	7"	7/8"	11/16"	5-5/8"	LP23S10-80	PG13S13-10
1-1/4"-7 UNC	7-1/4"	1"	3/4"	5-3/4"	LP06S10-80	PG15S14-10
1-1/4"-7 UNC	9-1/2"	1"	3/4"	8-1/16"	LP07S10-80	PG15S14-10
1-1/4"-7 UNC	10-1/2"	1"	3/4"	8-9/16"	LP08S10-80	PG15S14-10
1-1/4"-7 UNC	7"	7/8"	11/16"	5-1/2"	LP05S10-80	PG12S12-10
1-1/4"-7 UNC	9-3/4"	7/8"	11/16"	8-1/4"	LP26S10-80	PG12S12-10
1-1/4"-8 UN	6-3/4"	7/8"	11/16"	5-1/4"	LP09S10-80	PG11S12-10
1-1/4"-8 UN	7-3/8"	7/8"	11/16"	5-7/8"	LP10S10-80	PG11S12-10
1-1/4"-8 UN	8-3/4"	7/8"	11/16"	7-1/4"	LP11S10-80	PG11S12-10
1-1/4"-8 UN	10-1/8"	7/8"	11/16"	8-3/16"	LP12S10-80	N/A
1-1/4"-8 UN	11-1/2"	7/8"	11/16"	10-1/16"	LP13S10-80	PG11S12-10
1-1/8"-8 UN	7-1/4"	13/16"	11/16"	5-51/64"	LP01S9-80	PG14S12-10
1-1/8"-8 UN	8-3/4"	13/16"	11/16"	7-5/16"	LP02S9-80	PG14S12-10
1-1/8"-8 UN	9-3/4"	13/16"	11/16"	7-3/4"	LP03S9-80	PG14S12-10

Standard lockscrews are produced from AISI 4140 material and heat treated to meet the requirements of ASTM A193 Grade B-7. Plating is zinc.

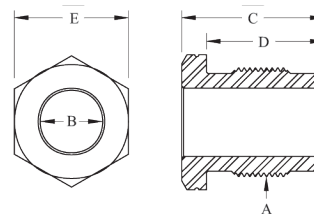


Packing Glands - Type A

A Thread	B Bore	C Length	D Length	E Hex	Part No.	Junk Ring Required
1-1/2"-6 UNC	57/64"	1-1/4"	7/8"	1-5/8"	PG10S12-10	JR11-10
1-1/2"-8 UNC	57/64"	1-7/8"	1-1/4"	1-5/8"	PG11S12-10	JR12-10 or JR11-10
1-1/2"-10 UNC	57/64"	1-7/8"	1-1/4"	1-5/8"	PG12S12-10	JR11-10
1-3/4"-8 UNC	1-5/32"	2-3/4"	1-5/16"	2"	PG16S14-10	JR14-10

Standard glands are produced from 1215 material and zinc plated.

NOTE: Consult factory for configurations not shown.

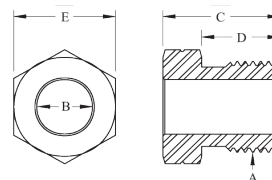


Wellhead and Tree Components

Packing Glands

A Thread	B Bore	C Length	D Length	E Hex	Part No.	Junk Ring Required
1-5/8"-12 UN	1-1/64"	2-1/8"	1-3/4"	1-3/4"	PG13S13-10	JR10-10
1-1/2"-12 UNF	53/64"	2-11/16"	1-15/16"	1-1/2"	PG14S12-10	JR12-10 or JR20-10
1-3/4"-12 UN	1-1/64"	2-11/16"	1-15/16"	1-3/4"	PG15S14-10	JR10-10

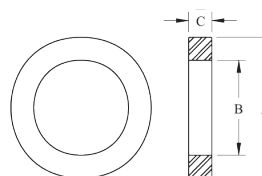
Standard glands are produced from 1215 material and zinc plated.



Junk Rings

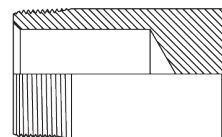
A O.D.	B I.D.	C Thickness	Part No.
1-1/2"	1-1/64"	1/4"	JR10-10
1-1/4"	57/64"	1/4"	JR11-10
1-3/8"	57/64"	1/4"	JR12-10
1-5/8"	1-9/64"	1/4"	JR14-10
1-3/8"	53/64"	1/4"	JR20-10

Standard junk rings are produced from 1215 material and zinc plated.



Bull Plugs

Fitting Type	Seat Style	Thread Type	Process Connection	Material
BP	10 = API Round Ball Plug	L = Line Pipe	10 = 1-1/4"	10 = 1215
	11 = API Internal Hex Bull Plug	U = Non-Upset Tubing	12 = 1-1/2"	30 = A105
	12 = API External Hex Bull Plug	E = External Upset Tubing	16 = 2"	80 = 4140
			20 = 2-1/2"	C0 = 316 SS
			24 = 3"	F0 = 17-4PH
				H0 = Inconel® 718



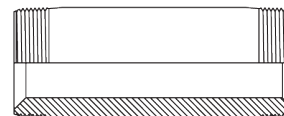
Pressure Rating

Process Connection	Thread Type	Pressure
1-1/4", 1-1/2", 2"	Line Pipe	5000 PSI
2-1/2", 3"	Line Pipe	3000 PSI
1-1/4", 1-1/2", 2", 2-1/2", 3"	Non-Upset, External Upset	5000 PSI

* Other material and plating available upon request
API monogramable versions are available

Nipples

Thread Type and Size	Material	Part No.	OAL	Tube O.D.	Tube I.D.
2" LP Plain	A106 Grade B XXH Seamless Pipe	C4-002-40	6"	2.40"	1-1/2"
		C4-003-40	8"		1-1/2"



Wellhead and Tree Components

Valve Removal Plugs

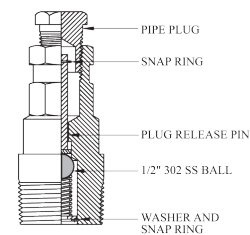
Fitting Type	Seat Style	Thread Type	Process Connection	Material
VR	15 = API Round Ball Plug	L = Line Pipe*	10 = 1-1/4" - 11-1/2 TPI	10 = 1215
	16 = API Internal Hex Bull Plug	V = Sharp Vee**	12 = 1-1/2" - 11-1/2 TPI	30 = A105
			16 = 2" - 11-1/2 TPI	80 = 4140
			20 = 2-1/2" - 11-1/2 TPI	C0 = 316 SS
			24 = 3" - 11-1/2 TPI	F0 = 17-4PH
				H0 = Inconel® 718

* Available for 1-1/4" process connections only

** Not available for 1-1/4" process connections

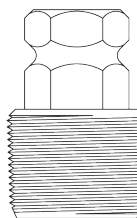
*** Other materials and plating available upon request

API monoprogrammable versions are available



Bleeder Style

Fitting Type	Seat Style	Thread Type	Process Connection	Material
VR	17 = Solid Style, 20,000 PSI Max. Working Pressure VR Plug	A = ACME	14 = 1-3/4" - 6 TPI Stub	10 = 1215
	18 = Bleeder Style, 20,000 PSI Max. Working Pressure VR Plug		16 = 2" - 11-1/2 TPI	30 = A105
			20 = 2-1/2" - 11-1/2 TPI	80 = 4140
			24 = 3" - 11-1/2 TPI	C0 = 316 SS
				F0 = 17-4PH
				H0 = Inconel® 718



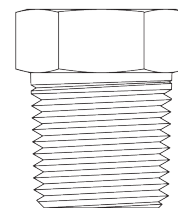
Solid Style

* Other materials and plating available upon request

API monoprogrammable versions are available

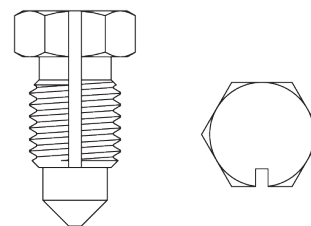
Cavity Plugs

Thread Size	Material	Part No.	Heat Treatment	Plating
1" NPT	1215	CP1	---	Zinc
	316 SS	CP1-2	Annealed (NACE)	---
	4140	CP1-3	Rc 22 Max (NACE)	Zinc
3/4" NPT	1215	CP34	---	Zinc
	316 SS	CP34-2	Annealed (NACE)	---
	4140	CP34-3	Rc 22 Max (NACE)	Zinc
1/2" NPT	1215	CP12	---	Zinc
	316 SS	CP12-2	Annealed (NACE)	---
	4140	CP12-3	Rc 22 Max (NACE)	Zinc



Packing Injection / Bleeder Plugs

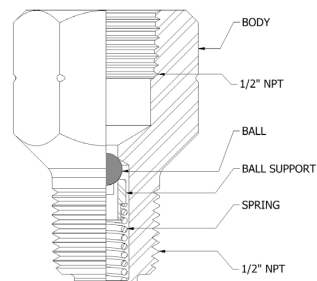
Thread Size	Material	Part No.	Heat Treatment	Plating
7/8" - 9 UNC	1215	PIBP78	---	Zinc
	4140	PIBP78-3	Rc 22 Max (NACE)	Zinc
	17-4 pH	PIBP78-17	HH1150 (NACE)	---
1/2" - 13 UNC	1215	PIBP12	---	Zinc
	4140	PIBP12-3	Rc 22 Max (NACE)	Zinc
	17-4 pH	PIBP12-17	HH1150 (NACE)	---



Accessories

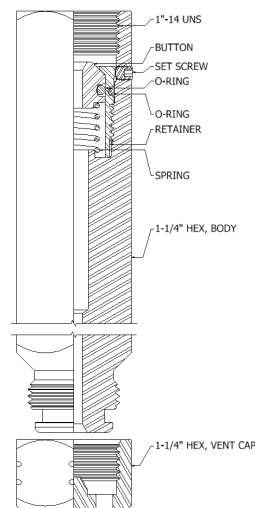
Adapter

Fitting Type	Seat Style	Thread Type*	Thread Size	Material*
AD	10 = 1/4" Inlet Connection	N = Standard NPT	1 = 1/8"	10 = 1215
	11 = 1/2" Inlet Connection w/ Internal Check		2 = 1/4"	60 = 1018
	12 = 1/2" Inlet Connection		3 = 3/8"	80 = 4140
			4 = 1/2"	C0 = 316 SS
			5 = 5/8"	F0 = 17-4Ph
			6 = 3/4"	G0 = Inconel 600
			7 = 7/8"	H0 = Inconel 718
			8 = 1"	
EXAMPLE: AD11N4-C0 = Adapter, 1/2" Inlet Connection with Internal Check, Standard NPT, 1/2" Connection, 316 SS Body				
AD	11	N	4	0
* Others may be available upon request.				




Giant Button Body Extensions

Fitting Type	Seat Style	Thread Type*	Thread Size	Material*
BE	01 = 8" Long Extension	S = Straight Thread	1 = 1/8"	10 = 1215
	10 = 5" Long Extension Adapter		2 = 1/4"	60 = 1018
			3 = 3/8"	80 = 4140
			4 = 1/2"	C0 = 316 SS
			5 = 5/8"	F0 = 17-4Ph
			6 = 3/4"	G0 = Inconel 600
			7 = 7/8"	H0 = Inconel 718
			8 = 1"	
EXAMPLE: BE01S8-10 = Body Extension, 8" extension, Straight Thread, 1" Connection, 1215 Body				
BE	01	S	8	10
* Others may be available upon request.				



Parker's Motion & Control Technologies

At Parker, we're guided by a relentless drive to help our customers become more productive and achieve higher levels of profitability by engineering the best systems for their requirements. It means looking at customer applications from many angles to find new ways to create value. Whatever the motion and control technology need, Parker has the experience, breadth of product and global reach to consistently deliver. No company knows more about motion and control technology than Parker. For further information call 1-800-C-Parker.

MARKET	KEY MARKETS		KEY PRODUCTS	
 AEROSPACE	Aircraft Engines Commercial Commercial Transports Military Aircraft Regional Transports	Business and General Aviation Land-Based Weapons Systems Missiles and Launch Vehicles Unmanned Aerial Vehicles	Flight Control Systems & Components Fluid Conveyance Systems Fluid Metering Delivery & Atomization Devices Fuel Systems & Components	Hydraulic Systems & Components Inert Nitrogen Generating Systems Pneumatic Systems & Components Wheels & Brakes
 CLIMATE CONTROL	Agriculture Food, Beverage and Dairy Precision Cooling Transportation	Air Conditioning Life Sciences & Medical Processing	Co2 Controls Electronic Controllers Filter Driers Hand Shut-Off Valves Hose & Fittings	Pressure Regulating Valves Refrigerant Distributors Safety Relief Valves Solenoid Valves Thermostatic Expansion Valves
 ELECTRO-MECHANICAL	Aerospace Life Science & Medical Packaging Machinery Plastics Machinery & Converting Semiconductor & Electronics Factory Automation	Machine Tools Paper Machinery Primary Metals Textile Wire & Cable	AC/DC Drives & Systems Electric Actuators, Gantry Robots & Slides Electrohydraulic Actuation Systems Electromechanical Actuation Systems Human Machine Interface	Linear Motors Stepper Motors, Servo Motors Drives & Controls Structural Extrusions
 FILTRATION	Food & Beverage Life Sciences Mobile Equipment Power Generation Transportation	Industrial Machinery Marine Oil & Gas Process	Analytical Gas Generators Compressed Air & Gas Filters Condition Monitoring Engine Air, Fuel & Oil Filtration & Systems	Hydraulic, Lubrication & Coolant Filters Process, Chemical, Water Microfiltration Filters Nitrogen, Hydrogen & Zero Air Generators
 FLUID and GAS HANDLING	Aerospace Agriculture Bulk Chemical Handling Construction Machinery Food & Beverage Fuel & Gas Delivery	Industrial Machinery Mobile Oil & Gas Transportation Welding	Brass Fittings & Valves Diagnostic Equipment Fluid Conveyance Systems Industrial Hose	PTFE & PFA Hose, Tubing & Plastic Fittings Rubber & Thermoplastic Hose & Couplings Tube Fittings & Adapters Quick Disconnects
 HYDRAULICS	Aerospace Aerial lift Agriculture Construction Machinery Forestry	Industrial Machinery Mining Oil & Gas Power Generation & Energy Truck Hydraulics	Diagnostic Equipment Hydraulic Cylinders & Accumulators Hydraulic Motors & Pumps Hydraulic Systems Hydraulic Valves & Controls	Power Take-Offs Rubber & Thermoplastic Hose & Couplings Tube Fittings & Adapters Quick Disconnects
 PNEUMATICS	Aerospace Conveyor & Material Handling Factory Automation Life Science & Medical	Machine Tools Packaging Machinery Transportation & Automotive	Air Preparation Brass Fittings & Valves Manifolds Pneumatic Accessories Pneumatic Actuators & Grippers Pneumatic Valves & Controls	Quick Disconnects Rotary Actuators Rubber & Thermoplastic Hose & Couplings Structural Extrusions Thermoplastic Tubing & Fittings Vacuum Generators, Cups & Sensors
 PROCESS CONTROL	Chemical & Refining Food, Beverage & Dairy Medical & Dental	Microelectronics Oil & Gas Power Generation	Analytical Sample Conditioning Products & Systems Fluoropolymer Chemical Delivery Fittings, Valves & Pumps High Purity Gas Delivery Fittings, & Valves & Regulators	Instrumentation Fittings, Valves Regulators Medium Pressure Fittings & Valves Process Control Manifolds
 SEALING and SHIELDING	Aerospace Chemical Processing Consumer Energy, Oil & Gas Fluid Power General Industrial	Information Technology Life Sciences Military Semiconductor Transportation	Dynamic Seals Elastomeric O-Rings Emi Shielding Extruded & Precision-Cut, Fabricated Elastomeric Seals	Homogeneous & Inserted Elastomeric Shapes High Temperature Metal Seals Metal & Plastic Retained Composite Seals Thermal Management

Parker Worldwide

North America

USA – Corporate, Cleveland, OH
Tel: +1 256 896 3000

USA – IPD, Huntsville, AL
Tel: +1 256 881 2040
ipdccc@parker.com

USA – IPD, (PGI), Houston, TX
Tel: +1 713 466 0056
pgi_sales@parker.com

USA – IPD, (Autoclave), Erie, PA
Tel: +1 814 860 5700
ipdaecct@parker.com

CA – Canada, Grimsby, Ontario
Tel: +1 905-945-2274
ipd_canada@parker.com

South America

AR – Argentina, Buenos Aires
Tel: +54 3327 44 4129
falecom@parker.com

BR – Brazil, Diadema, SP
Diadema, SP
Tel: +55 11 4360 6700
falecom@parker.com

CL – Chile, Santiago
Tel: +56 (0) 2 2303 9640
falecom@parker.com

MX – Mexico, Toluca
Tel: +52 722 275 4200
contacto@parker.com

Asia Pacific

AU – Australia, Dandenong
Tel: +61 (0)2 9842 5150
customer.service.au@parker.com

CN – China, Shanghai
Tel: +86 21 2899 5000
INGtechnical.china@parker.com

HK – Hong Kong
Tel: +852 2428 8008

IN – India, Mumbai
Tel: +91 22 6513 7081-85

ID – Indonesia, Tangerang
Tel: +62 2977 7900
parker.id@parker.com

JP – Japan, Tokyo
Tel: +(81) 3 6365 4020
infoph@parker.com

KR – South Korea, Seoul
Tel: +82 2 559 0400
parkerkr@parker.com

MY – Malaysia, Selangor
Tel: +603 784 90 800
parkermy@parker.com

SG – Singapore,
Tel: +65 6887 6300
parkersg@parker.com

TH – Thailand, Bangkok
Tel: +66 2 186 7000
phthailand@parker.com

TW – Taiwan, Taipei
Tel: +886 2 2298 8987
enquiry.taiwan@parker.com

VN – Vietnam, Hochi Minh City
Tel: +848 382 508 56
parker_viet@parker.com

Europe, Middle East, Africa

AE – UAE, Dubai
Tel: +971 4 812 7100
parker.me@parker.com

AT – Austria, Wiener Neustadt
Tel: +43 (0)2622 23501-0
parker.austria@parker.com

AT – Eastern Europe, Wiener Neustadt
Tel: +43 (0)2622 23501 900
parker.easteurope@parker.com

AZ – Azerbaijan, Baku
Tel: +994 50 2233 458
parker.azerbaijan@parker.com

BE/LU – Belgium, Nivelles
Tel: +32 (0)67 280 900
parker.belgium@parker.com

BG – Bulgaria, Sofia
Tel: +359 2 980 1344
parker.bulgaria@parker.com

BY – Belarus, Minsk
Tel: +48 (0)22 573 24 00
parker.belarus@parker.com

CH – Switzerland, Etoy
Tel: +41 (0) 21 821 87 00
parker.switzerland@parker.com

CZ – Czech Republic, Klecany
Tel: +420 284 083 111
parker.czechrepublic@parker.com

DE – Germany, Kaarst
Tel: +49 (0)2131 4016 0
parker.germany@parker.com

DK – Denmark, Ballerup
Tel: +45 43 56 04 00
parker.denmark@parker.com

ES – Spain, Madrid
Tel: +34 902 33 00 01
parker.spain@parker.com

FI – Finland, Vantaa
Tel: +358 (0)20 753 2500
parker.finland@parker.com

FR – France, Contamine s/Arve
Tel: +33 (0)4 50 25 80 25
parker.france@parker.com

GR – Greece, Athens
Tel: +30 210 933 6450
parker.greece@parker.com

HU – Hungary, Budapest
Tel: +36 223 885 470
parker.hungary@parker.com

IE – Ireland, Dublin
Tel: +353 (0)1 466 6370
parker.ireland@parker.com

IT – Italy, Corsico (MI)
Tel: +39 02 45 19 21
parker.italy@parker.com

KZ – Kazakhstan, Almaty
Tel: +7 7273 561 000
parker.easteurope@parker.com

NL – The Netherlands, Oldenzaal
Tel: +31 (0)541 585 000
parker.nl@parker.com

NO – Norway, Stavanger
Tel: +47 66 75 34 00
parker.norway@parker.com

PL – Poland, Warsaw
Tel: +48 (0)22 573 24 00
parker.poland@parker.com

PT – Portugal, Leca da Palmeira
Tel: +351 22 999 7360
parker.portugal@parker.com

RO – Romania, Bucharest
Tel: +40 21 252 1382
parker.romania@parker.com

RU – Russia, Moscow
Tel: +7 495 645-2156
parker.russia@parker.com

SE – Sweden, Spånga
Tel: +46 (0)8 59 79 50 00
parker.sweden@parker.com

SK – Slovakia, Banská Bystrica
Tel: +421 484 162 252
parker.slovakia@parker.com

SL – Slovenia, Novo Mesto
Tel: +386 7 337 6650
parker.slovenia@parker.com

TR – Turkey, Istanbul
Tel: +90 216 4997081
parker.turkey@parker.com

UA – Ukraine, Kiev
Tel: +380 (0)22 573 24 00
parker.ukraine@parker.com

UK – United Kingdom, Warwick
Tel: +44 (0)1926 317 878
parker.uk@parker.com

ZA – South Africa, Kempton Park
Tel: +27 (0)11 961 0700
parker.southafrica@parker.com

WARNING

FAILURE, IMPROPER SELECTION OR IMPROPER USE OF THE PRODUCTS AND/OR SYSTEMS DESCRIBED HEREIN OR RELATED ITEMS CAN CAUSE DEATH, PERSONAL INJURY AND PROPERTY DAMAGE.

This document and other information from Parker Hannifin Corporation, its subsidiaries and authorized distributors provide product and/or system options for further investigation by users having technical expertise. It is important that you analyze all aspects of your application and review the information concerning the product or system in the current product catalog. Due to the variety of operating conditions and applications for these products or systems, the user, through its own analysis and testing, is solely responsible for making the final selection of the products and systems and assuring that all performance, safety and warning requirements of the application are met. The products described herein, including without limitation, product features, specifications, designs, availability and pricing, are subject to change by Parker Hannifin Corporation and its subsidiaries at any time without notice.

Offer of Sale

The items described in this document are available for sale by Parker Hannifin Corporation, its subsidiaries or its authorized distributors. Any sale contract entered by Parker will be governed by the provisions stated in Parker's standard terms and conditions of sale (copy available upon request).

© 2018 by Parker Hannifin Corporation. All rights reserved. Material in this brochure or catalogue may not be reproduced in whole or in part, in any form, without written permission from the publisher.



Parker Hannifin Corporation
Instrumentation Products Division
16101 Vallen Drive
Houston, TX 77041 USA
Phone: (713) 466-0056 • Fax: (713) 744-9892
pgi-sales@parker.com | www.parker.com/ipd



Parker provides the information herein in good faith but makes no representation as to its comprehensiveness or accuracy. The information contained herein is intended only as a guide to its products and services. Individuals using information must exercise independent judgment in evaluating product selection and determining product appropriateness for their particular purpose and system requirements. PARKER MAKES NO REPRESENTATIONS OR WARRANTIES, EITHER EXPRESS OR IMPLIED, INCLUDING WITHOUT LIMITATION ANY WARRANTIES OF MERCHANTABILITY OR FITNESS FOR A PARTICULAR PURPOSE WITH RESPECT TO THE INFORMATION SET FORTH HEREIN OR THE PRODUCT(S) TO WHICH THE INFORMATION REFERS. ACCORDINGLY, PARKER WILL NOT BE RESPONSIBLE FOR DAMAGES OF ANY KIND OR NATURE, INCLUDING INCIDENTAL, INDIRECT, OR CONSEQUENTIAL DAMAGES RESULTING FROM THE USE OF OR RELIANCE UPON THIS INFORMATION. Patents and Patents Pending in the U.S. and foreign countries. Parker reserves the right to change product designs and specifications without notice.

PEEK is a registered TM of Whitford Wordwide Company and Whitford B.V. KEL-F is a registered TM of M.W. Kellogg Company. GRAFOIL is a registered TM of High Temperature Materials Inc. and Graftech INC. Corporation. AFLAS is a registered TM of Asahi Glass Co. Ltd. Corporation Japan. MONEL and INCONEL are registered TMs of Huntington Alloys Corporation. HASTELLOY is a registered TM of Haynes International, Inc.

PGI-VF-WC August 2018