

P2B6M™

Integral Bleed Valve

1/8" Bore Integral Bleed Valve



Parker Phoenix Precision Brand

Table of Contents

Overview, Features and Benefits 3

Technical Specifications 4

Bonnet Characteristics 5

Stem and Seat Characteristics 6

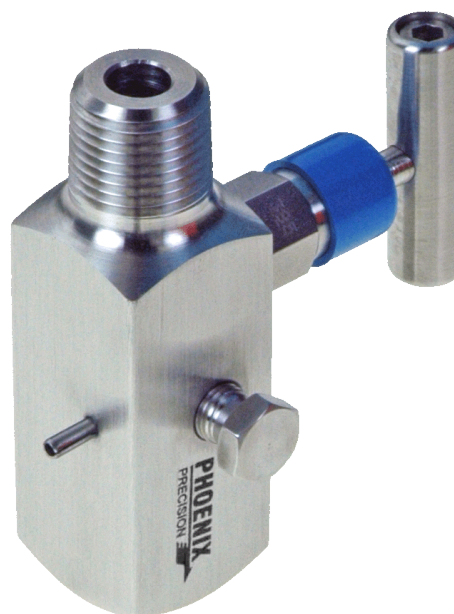
Model Numbering System 7



P2B6M™: 1/8" Bore Integral Bleed Valve

The integral bleed valve is designed to use with pressure gauges and pressure switches. The valve is built using bar stock construction, a robust stem, and bonnets pinned for security. Parker Phoenix's globe pattern design ensures a bubble-tight seal.

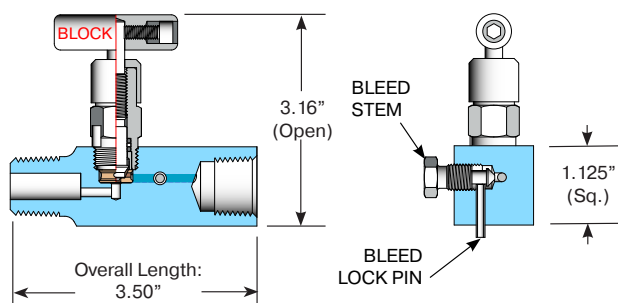
Parker Phoenix offers the 1/8" valve in a variety of stem tips, materials and configurations that meet most application requirements.



Standard Features	Benefits
Hydrotested at 150% of rated pressure (shell test). Nitrogen gas tested to 2000 psi.	Complies with ASME B31.1 & B31.3 shell testing procedures as standard. Ensures structural integrity of valve.
Seat tightness (zero leakage) verified to 110% of rated pressure. Nitrogen gas tested to 2000 psi.	Complies with ASME B31.1 & B31.3 seat testing procedures as standard. Ensures zero leakage at seats for proper calibration.
Packing below stem threads	Prevents corrosion of critical stem threads
Metal body-to-bonnet seals are in compression, not tension	Mitigates risk of stress cracking
Stem threads are rolled, not cut	Higher quality stem for longer service life
8 RMS stem finish	Extended packing life
V-Style Teflon™ packing	30-40% less operational torque and less frequent packing adjustments than traditional Teflon™ packed valves
Pressure component materials sourced from the US, Canada or Europe	Reliable material traceability. MTR's provided with every order for pressure containing components.

P2B6M™: Technical Specifications

O-Ring Bonnet Configuration

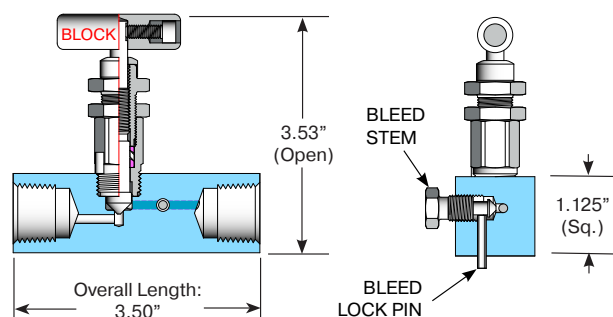


Specifications:

Type: P2B6M Valve, Globe Pattern
 Rating: Up to 6000 psi @ 100°F (41370 kPa @ 38°C)
 Stem: Needle tip or Flat tip
 Packing: Viton™ O-ring, Teflon™ or Grafoil™
 Seat: Integral or Soft seat
 Handle: Removable
 Bore Size: 1/8"
 Inlet Connections: 1/2" NPT, SW or FT,
 (3/4" for male NPT, SW Only)
 Outlet Connections: 1/2" NPT, SW or FT
 Bleed Port: 1/8" Pin
 Bonnet Lock: Pin or Plate
 Body Stock: 1.125" sq
 Weight: 1.10 lbs
 Special Service: O2 or CL cleaning available*

*Other specifications or services may be available.

Teflon™ Bonnet Configuration

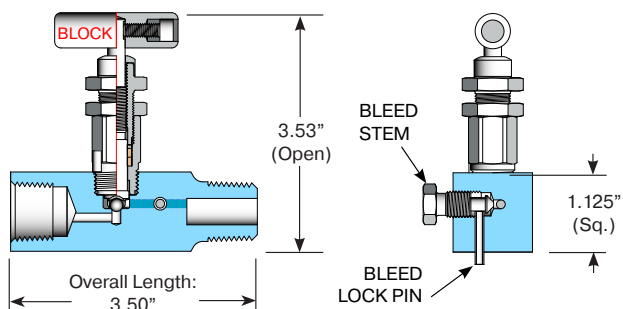


Specifications:

Type: P2B6M Valve, Globe Pattern
 Rating: Up to 6000 psi @ 100°F (41370 kPa @ 38°C)
 Stem: Needle tip or Ball tip
 Packing: Viton™ O-ring, Teflon™ or Grafoil™
 Seat: Integral
 Handle: Removable
 Bore Size: 1/8"
 Inlet Connections: 1/2" NPT, SW or FT,
 (3/4" for male NPT, SW Only)
 Outlet Connections: 1/2" NPT, SW or FT
 Bleed Port: 1/8" Pin
 Bonnet Lock: Pin or Plate
 Body Stock: 1.125" sq
 Weight: 1.15 lbs
 Special Service: O2 or CL cleaning available*

*Other specifications or services may be available.

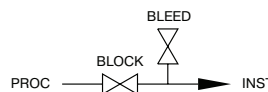
Grafoil™ Bonnet Configuration



Specifications:

Type: P2B6M Valve, Globe Pattern
 Rating: Up to 6000 psi @ 100°F (41370 kPa @ 38°C)
 Stem: Needle tip or Ball tip
 Packing: Viton™ O-ring, Teflon™ or Grafoil™
 Seat: Integral
 Handle: Removable
 Bore Size: 1/8"
 Inlet Connections: 1/2" NPT, SW or FT,
 (3/4" for male NPT, SW Only)
 Outlet Connections: 1/2" NPT, SW or FT
 Bleed Port: 1/8" Pin
 Bonnet Lock: Pin or Plate
 Body Stock: 1.125" sq
 Weight: 1.15 lbs
 Special Service: O2 or CL cleaning available*

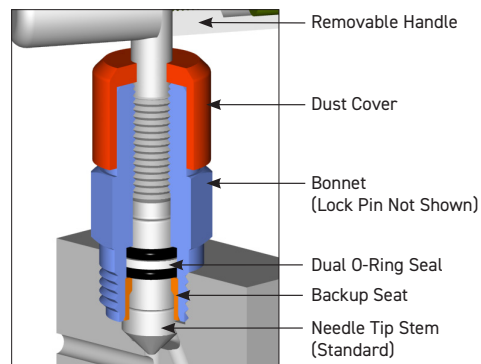
*Other specifications or services may be available.



P2B6M™: Bonnet Characteristics

O-Ring Bonnet Assembly

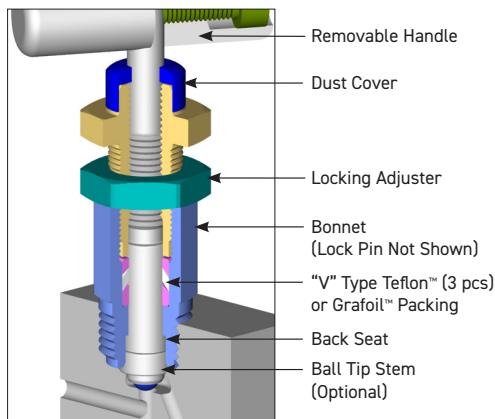
Standard Materials					
Valve	Body	Bonnet	Stem	Ball	Packing
CS	ASTM A108CS	ASTM A108CS	ASTM A582 303SS	SEE OPTION CODES ON PAGE 6	Dual Viton™ O-ring with Teflon™ backup ring
SC	ASTM A105CS	ASTM A182 316SS	ASTM A182 316SS		
316SS	ASTM A182 316SS	ASTM A182 316SS	ASTM A182 316SS		



Packed Bonnet Assembly

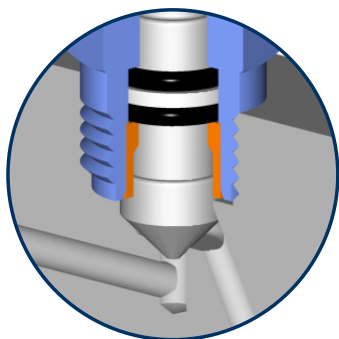
Standard Materials					
Valve	Body	Bonnet	Stem	Ball	Packing
CS	ASTM A108CS	ASTM A108CS	ASTM A582 303SS	SEE OPTION CODES ON PAGE 6	Teflon™ and Grafoil™
SC	ASTM A105CS	ASTM A182 316SS	ASTM A182 316SS		
316SS	ASTM A182 316SS	ASTM A182 316SS	ASTM A182 316SS		

NOTE: Low torque Grafoil™ available (G4 Packing Code)

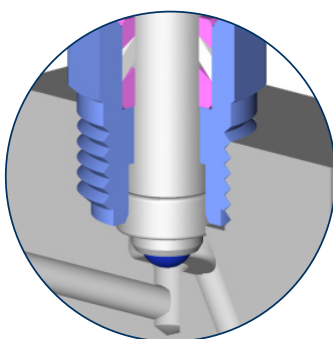


P2B6M™: Stem Tips and Seat Characteristics

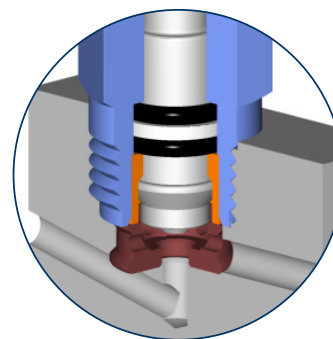
Stem Tips



Needle Tip
(Standard)



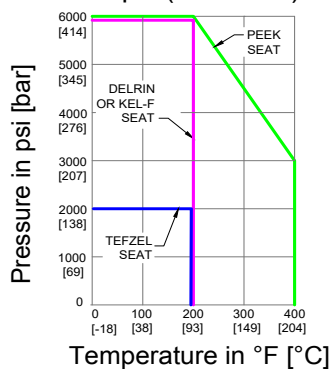
Ball Tip
(Optional)



Flat Tip
(Soft Seat)

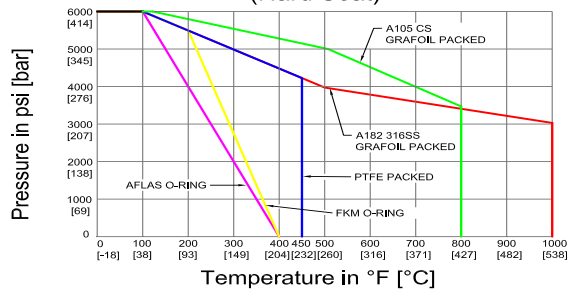
Pressure vs. Temperature (Soft and Hard Seat)

Pressure vs. Temperature Chart
6000 psi (Soft Seat)



Note: Packing material ratings based on manufacturer's specifications. Approximations only. Parker Phoenix does not represent these values as finite. They are provided only as representative values.

Pressure vs. Temperature Chart 6000 psi
(Hard Seat)



Note: Body material specifications based on ASME B16.34 - 2009. Packing material ratings based on manufacturer's specifications. Approximations only. Phoenix does not represent these values as finite. They are provided only as representative values.

P2B6M™: Model Numbering System

Phoenix	Orifice Size	Type	Inlet Size	Inlet Type	Outlet Size	Outlet Type	Material	Packing	Seat	Stem Tip	Option Codes	Description
P	2 1/8"	B6M	8 1/2"	F FNPT	8 1/2"	F FNPT	SS ASTM A182 316/316L	A Aflas™	Integral (leave blank)	Needle Tip Standard (leave blank)	LB	Bonnet Lock
			12 3/4" (Male only)	M MNPT	12 3/4" (Male only)	M MNPT	SC ASTM A105 CS**	V Viton™ (FKM)	D Delrin™	B 316SS Ball Tip	CC	Chlorine Clean
				MS* Male Socket weld		MS* Male Socket weld	CS ASTM A108 CS**	T Teflon™ (PTFE)	P Peek™	BC Ceramic Ball Tip	OC	Oxygen Clean
				FS* Female Socket weld		FS* Female Socket weld	C5 ASTM A350 LF2	G Grafoil™		BM Monel™ Ball Tip	TG	SS Tag
				FT Female Tube Fitting		FT Female Tube Fitting	N4 Monel™ 400	G4 Low Torque Grafoil™			S	Sour Gas ISO NACE Latest Rev.
							N6 Inconel™ 625				RA (R)(B)	Round Handle Aluminum (Red)(Blue)
							N8 Inconel™ 825				RC	Round Handle CS
							N2 Hastelloy™ C276				RS	Round Handle SS
EXAMPLE: P2B6M8M8FSSV = Phoenix, 1/8" Orifice, Integral Bleed Valve, 1/2" MNPT Inlet, 1/2" FNPT Outlet, 316 SS Body, Viton™ O-ring Packing, Needle Tip Stem												
P	2	B6M	8	M	8	F	SS	V			N4	Monel™ 400 Stem
											N5	Monel™ 500 Stem
											N6	Inconel™ 625 Stem
											N8	Inconel™ 825 Stem
											N2	Hastelloy™ C276 Stem

*For socket weld (SW) connections, specify MS or FS.
**For code applications, A108 CS is unacceptable, A105 CS must be selected for CS valves.

Use with Confidence, Parker Phoenix Precision Products Meet the Following Specifications:

- ASME B31.1 Power Piping
- ASME B31.3 Process Piping
- ASME B16.34 Valves - Flanged, Thread, and Welding End
- API 598 Valve Inspection and Testing
- MSS SP-25 Standard Marking Systems for Valves, Fittings and Flange Unions
- MSS SP-99 Instrument Valves
- MSS SP-105 Instrument Valves for Code Applications
- NACE MR0175 for all 316SS valves and A105CS body/316SS bonnet (SC Material Code)

Seal and Seat Material Temperature Rating

Code	Description	MIN. TEMP	MAX. TEMP
A	Aflas™	15°F (-10°C)	400°F (204°C)
V	Viton™	-20°F (-29°C)	400°F (204°C)
T	Teflon™	-65°F (-54°C)	450°F (232°C)
D	Delrin™	-40°F (-40°C)	200°F (93°C)
P	Peek™	-40°F (-40°C)	400°F (204°C)
G	Grafoil™ (SS Body) (CS Body)	-70°F (-56°C) -70°F (-56°C)	1000°F (537°C) 800°F (427°C)
Note: Grafoil™ is suitable for services in excess of 1000°F in a non-oxidizing environment.			

Parker Hannifin Corporation
Instrumentation Products Division
1005 A Cleaner Way
Huntsville, AL 35805 USA
phone 256 881 2040
fax 256 881 5072
www.parker.com/ipd

Parker Phoenix P2B6M™ Integral Bleed Valve
PPL-CAT-P2B6M-001 May 2024

© 2024 Parker Hannifin Corporation



parker.com/ipd