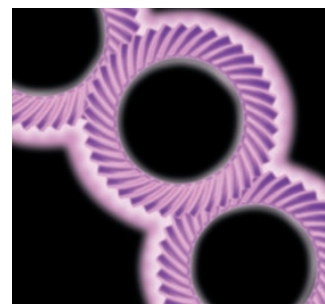


Parker Gearboxes

Planetary Gearheads



ENGINEERING YOUR SUCCESS.



WARNING – USER RESPONSIBILITY

FAILURE OR IMPROPER SELECTION OR IMPROPER USE OF THE PRODUCTS DESCRIBED HEREIN OR RELATED ITEMS CAN CAUSE DEATH, PERSONAL INJURY AND PROPERTY DAMAGE.

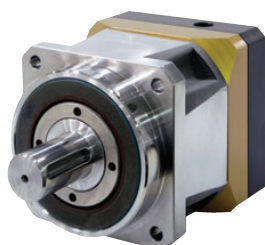
- This document and other information from Parker-Hannifin Corporation, its subsidiaries and authorized distributors provide product or system options for further investigation by users having technical expertise.
- The user, through its own analysis and testing, is solely responsible for making the final selection of the system and components and assuring that all performance, endurance, maintenance, safety and warning requirements of the application are met. The user must analyze all aspects of the application, follow applicable industry standards, and follow the information concerning the product in the current product catalog and in any other materials provided from Parker or its subsidiaries or authorized distributors.
- To the extent that Parker or its subsidiaries or authorized distributors provide component or system options based upon data or specifications provided by the user, the user is responsible for determining that such data and specifications are suitable and sufficient for all applications and reasonably foreseeable uses of the components or systems.

Economical Planetary Gearheads - PE



Overview	7
Layout / Features	8
Technical Data	9
Technical Characteristics	10
Dimensions	11
Motor Gearhead Combination	14
Order Code	15

Precision Planetary Gearboxes PS Series



Overview	17
Technical Characteristics	18
Load on Input Shaft	19
Dimensions	20
Adapter Flange / Motor - Dimensions (Gear Unit Input Side)	21
Gearbox Sizing	22
Order Code	23

ATEX Gearboxes GXA Series



Overview	25
Technical Characteristics	26
Gearbox Inertia	27
Permitted radial and axial loads on output shaft of the gearbox	28
Dimensions	29
Gearbox Combinations	31
Order Code	32

Parker Hannifin

The global leader in motion and control technologies

A world class player on a local stage

Global Product Design

Parker Hannifin has more than 40 years experience in the design and manufacturing of drives, controls, motors and mechanical products. With dedicated global product development teams, Parker draws on industry-leading technological leadership and experience from engineering teams in Europe, North America and Asia.

Local Application Expertise

Parker has local engineering resources committed to adapting and applying our current products and technologies to best fit our customers' needs.

Manufacturing to Meet Our Customers' Needs

Parker is committed to meeting the increasing service demands that our customers require to succeed in the global industrial market. Parker's manufacturing teams seek continuous improvement through the implementation of lean manufacturing methods throughout the process. We measure ourselves on meeting our customers' expectations of quality and delivery, not just our own. In order to meet these expectations, Parker operates and continues to invest in our manufacturing facilities in Europe, North America and Asia.

Electromechanical Worldwide Manufacturing Locations

Europe

Littlehampton, United Kingdom
Dijon, France
Offenburg, Germany
Filderstadt, Germany
Milan, Italy

Asia

Wuxi, China
Jangan, Korea
Chennai, India

North America

Rohnert Park, California
Irwin, Pennsylvania
Charlotte, North Carolina
New Ulm, Minnesota



Offenburg, Germany

Local Manufacturing and Support in Europe

Parker provides sales assistance and local technical support through a network of dedicated sales teams and authorized technical distributors throughout Europe.

For contact information, please refer to the Sales Offices on the back cover of this document or visit www.parker.com



Milan, Italy



Littlehampton, UK



Filderstadt, Germany



Dijon, France

Series	PE 	PS 	GXA 
	page 7	page 17	page 25
	www.parker.com/eme/pe	www.parker.com/eme/ps	www.parker.com/eme/gxa
Description	Economical Planetary Gearboxes	Precision Helical Planetary Gearboxes	Precision ATEX Planetary Gearboxes
Frame size [mm]	40, 60, 90, 115, 155	60, 90, 115, 142	60, 90, 115, 142, 180, 220
Nominal Output Torque [Nm]	up to 460	up to 430	up to 1800
Radial Load [N]	up to 4600	up to 10 000	up to 50 000
Minimum backlash [arcmin]	< 7	< 3	< 3
Maximum input speed [min⁻¹]	up to 18 000	up to 6000	up to 10 000
Ratio	3 to 64	3 to 100	3 to 100
Torsional rigidity [Nm/arcmin]	0.7 to 52	3 to 50	7 to 225

Economical Planetary Gearheads - PE

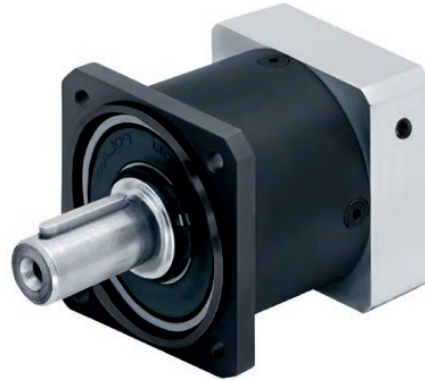
Overview

Description

The PE is the perfect economy gearbox. This planetary gearbox was especially designed for all applications where a considerably low backlash is not of vital importance.

Features

- Excellent price/performance ratio
- Input speeds up to 18000 min⁻¹
- Low backlash
- High output torques
- PCS-2 system
- High efficiency (96 %)
- 15 ratios i=3...64
- Low noise
- High quality (ISO 9001)
- Any fitting position possible
- Simple motor fitting
- Lubricated for life
- Direction of rotation equidirectional
- Balanced motor pinion



Technical Characteristics Overview

Features	Unit	Division
Geometry		Planetary Gearheads
Type		Inline
Drives sizes	[mm]	40, 60, 90, 115, 155
Maximum input speed	[min ⁻¹]	up to 18000
Nominal torque	[Nm]	460
Radial force	[N]	up to 4600
Service life	[h]	30 000
Minimum backlash	[arcmin]	< 7

Economical Planetary Gearheads - PE
Layout / Features

Layout / Features

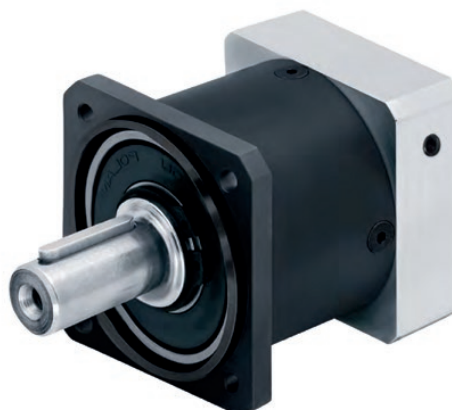
PE2 / PE3

The Economy gearbox with round output flange



PE4 / PE5

The Economy gearbox with square output flange



PE7

Gearbox for high torque applications (in combination with ETH125 electro cylinder)



Technical Data

Parameter	Unit	Ratio	PE2	PE3	PE4	PE5	PE7	
Nominal torque $T_{nom r}$ / Maximum permissible acceleration torque $T_{acc r}$ / Emergency stop torque $T_{em r}^{(5)}$ $T_{nom r} / T_{acc r} / T_{em r}^{(5)}$ (1)(2)(3)(4)	[Nm]	1 step	3	11/17.5/22.5	28/45/66	85/136/180	115/184/390	-
			4	15/24/30	38/61/88	115/184/240	155/248/520	460/736/920
			5	14/22/36	40/64/80	110/176/220	195/312/500	445/712/890
			7	8.5/13.5/26	25/40/80	65/104/178	135/216/340	-
			8	6/10/27	18/29/80	50/80/190	120/192/380	-
			10	5/8/27	15/24/80	38/61/200	95/152/480	210/336/420
		2 step	9	16.5/26/33	44/70/88	130/208/260	210/336/500	-
			12	20/32/40	44/70/88	120/192/240	260/416/520	-
			15	18/29/36	44/70/88	110/176/220	230/368/500	-
			16	20/32/40	44/70/88	120/192/240	260/416/520	460/736/920
			20	20/32/40	44/70/88	120/192/240	260/416/520	460/736/920
			25	18/29/36	40/64/80	110/176/220	230/368/500	445/712/890
			32	20/32/40	44/70/88	120/192/240	260/416/520	-
			40	18/29/36	40/64/80	110/176/220	230/368/500	460/736/920
50		-	-	-	445/712/890			
64	7.5/12/27	18/29/80	50/80/190	120/192/380	-			
Nominal drive speed at $T_{nom r}$ $N_{nom r}^{(6)}$	[min ⁻¹]	3	5000	4500	3400*	3400*	-	
		4	5000	4500	3450*	3500*	1800*	
		5	5000	4500	4000*	3500*	2150*	
		7	5000	4500	4000	3500	-	
		8	5000	4500	4000	3500	-	
		9	5000	4500	4000*	3500*	-	
		10	5000	4500	4000	3500	3000	
		12	5000	4500	4000*	3500*	-	
		15	5000	4500	4000	3500*	-	
		16	5000	4500	4000	3500*	2900*	
		20...64	5000	4500	4000	3500	3000 (* for ratio 20,25)	
Maximum mechanical input speed $N_{max r}^{(6)}$	[min ⁻¹]	3...64	18000	13000	7000	6500	5500	
Maximum radial force $Pr_{max}^{(1)(7)}$	[N]		160	340	1700	2400	4600	
Maximum axial force $Pa_{max}^{(1)(7)}$	[N]		160	450	2000	2100	6000	
Lifetime	[h]		30 000 (lifetime lubrication)					
Backlash	[arcmin]	(1 step)	< 15	< 10	< 7	< 7	< 8	
		(2 step)	< 19	< 12	< 9	< 9	< 10	

(1) the data refer to an output shaft speed of $n_2=100 \text{ min}^{-1}$ and application factor $KA=1$ as well as S1 operating mode for electrical machines and $T=30 \text{ }^\circ\text{C}$

(2) dependent on the respective motor shaft diameter

(3) with keyway: for dynamic loads

(4) permitted for 30 000 revolutions of the output shaft

(5) permitted 1000 times

(6) permitted operating temperatures may not be exceeded.

(7) referred to the center of the output shaft

* at 50 % $T_{nom r}$ and S1

Technical Characteristics

Parameter	Unit	Ratio	PE2	PE3	PE4	PE5	PE7	
Efficiency at full load ⁽⁸⁾	%	(1 step)	97					
		(2 step)	95					
Noise level at 3000 min ⁻¹ ⁽⁹⁾	[dB (A)]		58	58	60	65	70	
Torsional stiffness ⁽⁸⁾	[Nm/arcmin]	(1 step)	0.7 - 1	1.7 - 2.3	5.2 - 7	11.3 - 15.2	38.5 - 52	
		(2 step)	0.8 - 1	1.9 - 2.3	5.7 - 7	12.3 - 15.2	39.5 - 52	
Operating temperature ⁽¹⁰⁾	[°C]		-25 ... +90					
Lubrication			Lifetime lubrication					
Orientation			Any					
Direction of Rotation			Same as input					
Product Enclosure Rating			IP54					
Moment of inertia ⁽¹¹⁾	[kgmm ²]	1 step	3	3.1	13.5	77	263	-
			4	2.2	9.3	52	179	707.3
			5	1.9	7.8	45	153	604.6
			7	1.8	7.2	42	141	-
			8	1.7	6.5	39	132	-
			10	1.6	6.4	39	130	466.3
		2 step	9	3.0	13.1	74	262	-
			12	2.9	12.7	72	256	-
			15	2.3	7.7	71	253	-
			16	2.2	8.8	50	175	615.6
			20	1.9	7.5	44	150	519.4
			25	1.9	7.5	44	149	514.7
			32	1.7	6.4	39	130	-
			40	1.6	6.4	39	130	445.4
	50		-	-	-	975.4		
	64	1.6	6.4	39	130	-		
Weight	[kg]	(1 step)		0.9	3.2	6.6	16.5	
		(2 step)		1.1	3.7	8.6	20.5	

⁽⁸⁾ depends on the ratio

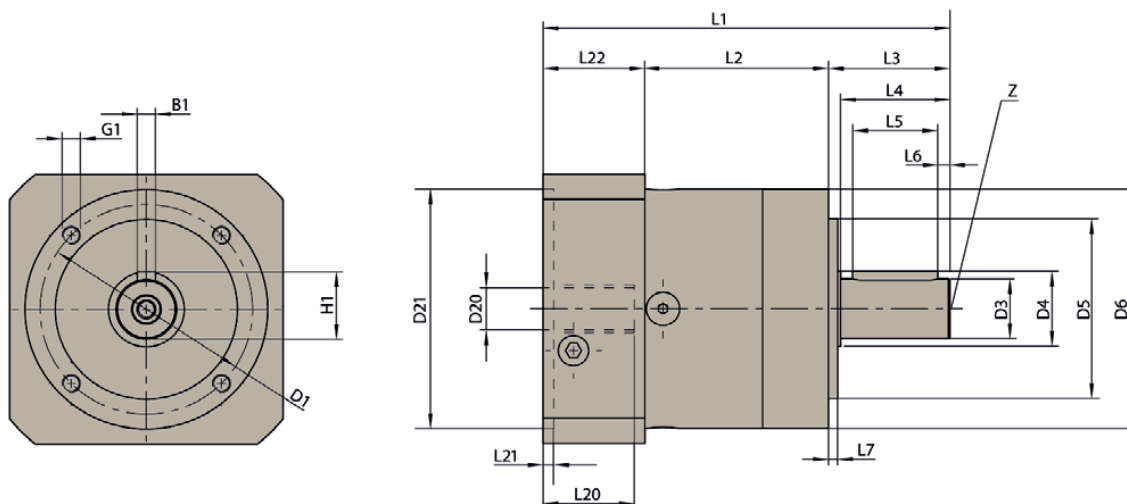
⁽⁹⁾ Noise level at a distance of 1 m; measured at a drive speed of $n_1=3000 \text{ min}^{-1}$ without load; $i=5$

⁽¹⁰⁾ referred to the center of the housing surface

⁽¹¹⁾ Inertia refers to the input shaft and to the standard motor shaft diameter D20

Dimensions

PE2 / PE3

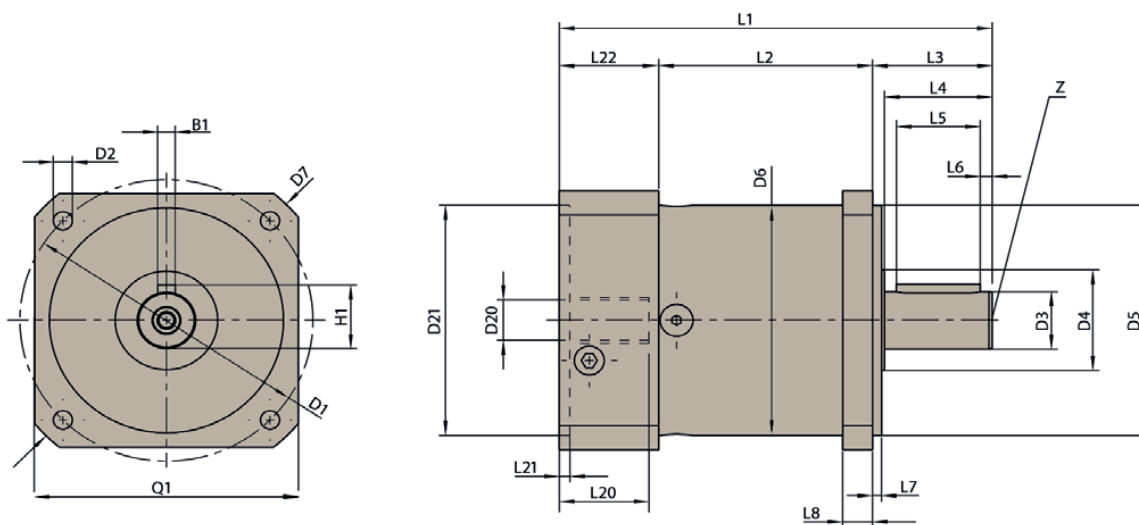


All dimensions in mm		PE2	PE3
B1	Keyway DIN 6885 T1	3	5
D1	Flange bolt circle	34	52
D2	Mounting bore	-	-
D3	Shaft diameter	10	14
D4	Shaft collar	12	17
D5	Centering	26	40
D6	Housing diameter	40	60
D20	Hole	6	9
D21	Centering diameter for motor	30	40
G1	Tapped hole x depth	M4x6	M5x8
H1	Keyway DIN 6885 T1	11.2	16
L1	Overall length	1 step	93.5
		2 step	106.5
L2	Housing length	1 step	39
		2 step	52
L3	Input shaft end	26	35
L4	Shaft end to collar	23	30
L5	Length of keyway	18	25
L6	Distance to shaft end	2.5	2.5
L7	Pilot	2	3
L8	Flange width	-	-
L22	Motor flange length	28.5	24.5
Q1	Flange cross section	-	-
Z	Centering bore DIN332, sheet 2, form DR	M3x9	M5x12



Economical Planetary Gearheads - PE
Dimensions

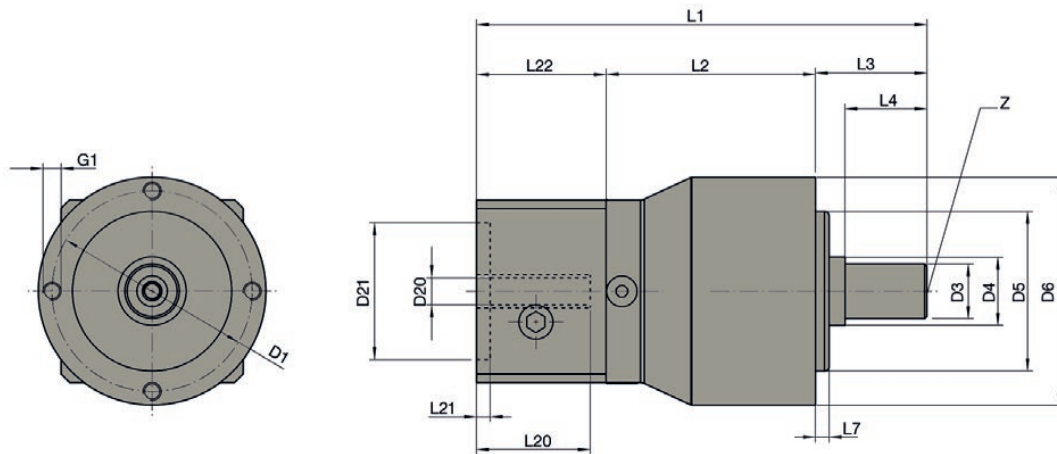
PE4, PE5



All dimensions in mm		PE4	PE5	
B1	Keyway DIN 6885 T1	6	8	
D1	Flange bolt circle	100	130	
D2	Mounting bore	6.5	8.5	
D3	Shaft diameter	20	25	
D4	Shaft collar	35	35	
D5	Centering	80	110	
D6	Housing diameter	80	115	
D20	Hole	14	19	
D21	Centering diameter for motor	80	95	
G1	Tapped hole x depth	-	-	
H1	Keyway DIN 6885 T1	22.5	28	
L1	Overall length	1 step	145	201.5
		2 step	162.5	229.5
L2	Housing length	1 step	71.5	99
		2 step	89	127
L3	Input shaft end	40	55	
L4	Shaft end to collar	36	50	
L5	Length of keyway	28	40	
L6	Distance to shaft end	4	5	
L7	Pilot	3	4	
L8	Flange width	10	15	
L22	Motor flange length	33.5	47.5	
Q1	Flange cross section	90	115	
Z	Centering bore DIN332, sheet 2, form DR	M6x16	M10x22	



PE7



All dimensions in mm		PE7
D1	Flange bolt circle	140
D2	Mounting bore	-
D3	Shaft diameter	40
D4	Shaft collar	55
D5	Centering	120
D6	Housing diameter	155
D20	Hole	
D21	Centering diameter for motor	
G1	Tapped hole x depth	M10x20
L1	Overall length	1 step
		2 step
L2	Housing length	1 step
		2 step
L3	Input shaft end	97
L4	Shaft end to collar	82
L7	Pilot	8
L8	Flange width	-
L22	Motor flange length	
Q1	Flange cross section	-
Z	Centering bore DIN332, sheet 2, form DR	M16x36



Motor Gearhead Combination

	Motor 1	Motor 2	Motor 3	Order Code (Gearhead)	Mounting thread G3
PE2	SMH40			PE2 XXX 10 M 030/046/06/25	M4
	SMH60/B08/09		MH056/B05/09	PE3 XXX 10 M 040/063/09/20	M5
			MH056/B05/11	PE3 XXX 10 M 040/063/11/23	M5
	NX205/NX210			PE3 XXX 10 M 040/063/11/25	M5
PE3	SMH60/B05/11	NX310	MH070/B05/11	PE3 XXX 10 M 060/075/11/23	M5
			MH070/B05/14	PE3 XXX 10 M 060/075/14/30	M5
	SY56 (NEMA 23)			PE3 XXX 10 M 038/066/06/21	M5
	SY87 (NEMA 34)			PE3 XXX 10 M 073/098/09/32	M6
PE4	SMH60/B05/11	NX310	MH070/B05/11	PE4 XXX 10 M 060/075/11/23	M5
	SMH82/B08/14			PE4 XXX 10 M 080/100/14/30	M6
	SMH82/B08/19	NX420/NX430	MH105/B09/19	PE4 XXX 10 M 080/100/19/40	M6
	SMH82/B05/19	SMH100/B05/19	MH105/B05/19	PE4 XXX 10 M 095/115/19/40	M8
	SY107 (NEMA 42)			PE4 XXX 10 M 055/125/15/32	M8
	SY87 (NEMA 34)			PE4 XXX 10 M 073/098/09/32	M6
PE5	MH105/B09/19	NX420/NX430		PE5 XXX 10 M 080/100/19/40	M6
	SMH82/B05/19	SMH100/B05/19	MH105/B05/19	PE5 XXX 10 M 095/115/19/40	M6
	SMH100/B05/24	SMH115/B09/24	MH105/B05/24	PE5 XXX 10 M 095/115/24/50	M8
	SMH115/B07/24	NX620/NX630	MH105/B06/24	PE5 XXX 10 M 110/130/24/50	M8
	SMH115/B05/24		MH145/B05/24	PE5 XXX 10 M 130/165/24/50	M10
PE7	SMH170/B05/38	MH205/B05/38		PE7 XXX 16 M 180/215/38/80	M12

Bold = Preferred motor gearhead combinations
Only for motors with mounting bores (no mounting thread)
Other mounting possibilities available on request (please contact Parker)

Order Code

PE Gearheads

	1	2	3	4	5	6	7	8	9
Order example	PE	3	003	10	M	038	063	06	20

1 Gearhead Type	PE	Economy planetary gearbox
2 Gearhead Size	2	PE2
	3	PE3
	4	PE4
	5	PE5
	7	PE7
3 Ratio	003	3
	...	4, 5, 7, 8, 9, 10, 12, 15, 16, 20, 25, 32, 40, 50
	064	64
4 Output shaft	16	without keyway
	10	with keyway (not possible for PE7)
5 Motor connection flange	M	
6 Pilot diameter	038	38 mm
	...	
	180	180mm
7 Pilot Center Diameter PCD	063	63 mm
	...	
	215	215 mm
8 Shaft diameter	06	6 mm
	...	
	42	38 mm
9 Motor shaft length	20	20 mm
	...	
	110	110 mm

Precision Planetary Gearboxes PS Series

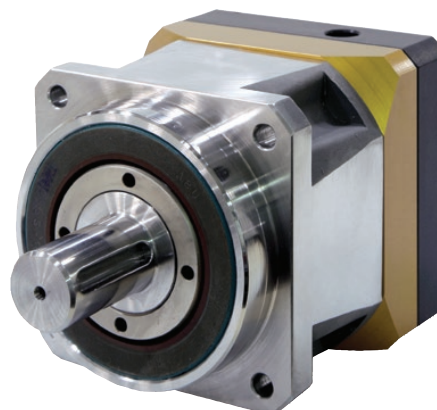
Overview

Description

The Helical Planetary Gearboxes incorporate design solutions to provide superior performance for the most demanding high performance applications.

The PS gearboxes incorporate dual angular contact bearings providing higher radial load capacities while maintaining high input speeds. The construction comprise among others, needle bearings to ensure a longer lifetime. An optimized gearing geometry provides the basis for the universal mounting position. Common mounting kits promote quicker deliveries and ease of mounting to any servo motor.

Mounting to any servo motor is as easy as A-B-C (adapter, bushing, collet).



Features

- High radial load capacity:
Angular contact output bearings
- Increased service life:
Needle bearings
- Life time lubrication
- Mounting Kits:
Quicker deliveries and easier mounting
- High nominal torque and low backlash:
Helical planetary gearing
- High wear resistance:
Plasma Nitriding heat treating

Technical Characteristics - Overview

Series	Unit	PS
Gear geometry		Helical Planetary
Type		In-Line
Frame sizes	[mm]	60, 90, 115, 142
Maximum input speed	[min ⁻¹]	up to 6000
Nominal torque	[Nm]	27...430
Max. Radial force	[N]	10 000
Life	[h]	20 000
Backlash	[arcmin]	up to <3

Technical Characteristics

Parameter	Unit	Ratio ⁽⁸⁾	PS60	PS90	PS115	PS142
Nominal output torque ⁽¹⁾ $T_{nom r}$	[Nm]	3 , 15, 30	27	76	172	300
		4, 5 , 7, 20 , 25, 40, 50 , 70	37	110	230	430
		10 , 100	32	93	205	310
Maximum acceleration torque $T_{acc r}$	[Nm]	3 , 15, 30	34	105	225	450
		4, 5 , 7, 20 , 25, 40, 50 , 70	48	123	285	645
		10 , 100	37	112	240	465
Emergency stop output torque ⁽²⁾ $T_{em r}$	[Nm]	3 , 15, 30	80	260	600	1100
		4, 5 , 7, 20 , 25, 40, 50 , 70	70	230	500	970
		10 , 100	60	200	430	830
Nominal drive speed $N_{nom r}$	[min ⁻¹]	3	3000	2500	2000	1500
		4, 5	3500	3000	2500	2000
		7, 10 , 15	4000	3500	3000	2500
		20 , 25, 30	4500	4000	3500	3000
		40, 50	4800	4400	3800	3200
		70, 100	5200	4800	4200	3600
Maximum input speed $N_{max r}$ ⁽³⁾	[min ⁻¹]	3...100	6000	5500	4500	4000
Maximum radial force Pr_{max} ⁽⁴⁾	[N]		1650	4800	7500	10000
Maximum axial load Pa_{max} ⁽⁵⁾	[N]		2100	3600	6800	8800
Life	[h]		20 000 (lifetime lubrication)			
Backlash - standard ⁽⁶⁾	[arcmin]	3...10 (1 step)	<6	<6	<4	<4
		15...100 (2 step)	<8	<8	<6	<6
Backlash - reduced ⁽⁶⁾	[arcmin]	3...10 (1 step)	<4	<4	<3	<3
		15...100 (2 step)	<6	<6	<5	<5
Efficiency at nominal torque	%	3...10	97	97	97	97
		15...100	94	94	94	94
Noise level at 3000 min ⁻¹ ⁽⁷⁾	[db]	3...100	<62	<62	<65	<66
Torsional rigidity	[Nm/arcmin]	3...100	3	12	27	50
Operating temperature	[°C]	3...100	-20...90			
Lubrication		3...100	Lifetime lubrication			
Orientation		3...100	any			
Direction of Rotation		3...100	same as input			
Enclosure rating			IP65			
Rotor inertia			see page 20			
Weight	[kg]	3...10	1.3	3.0	7.0	14.0
		15...100	1.7	5.0	10.0	20.0

⁽¹⁾ At nominal speed $N_{nom r}$.

⁽²⁾ Maximum of 1000 stops.

⁽³⁾ Cycle mode.

⁽⁴⁾ Max. radial load applied to the center of the shaft at 100 min⁻¹

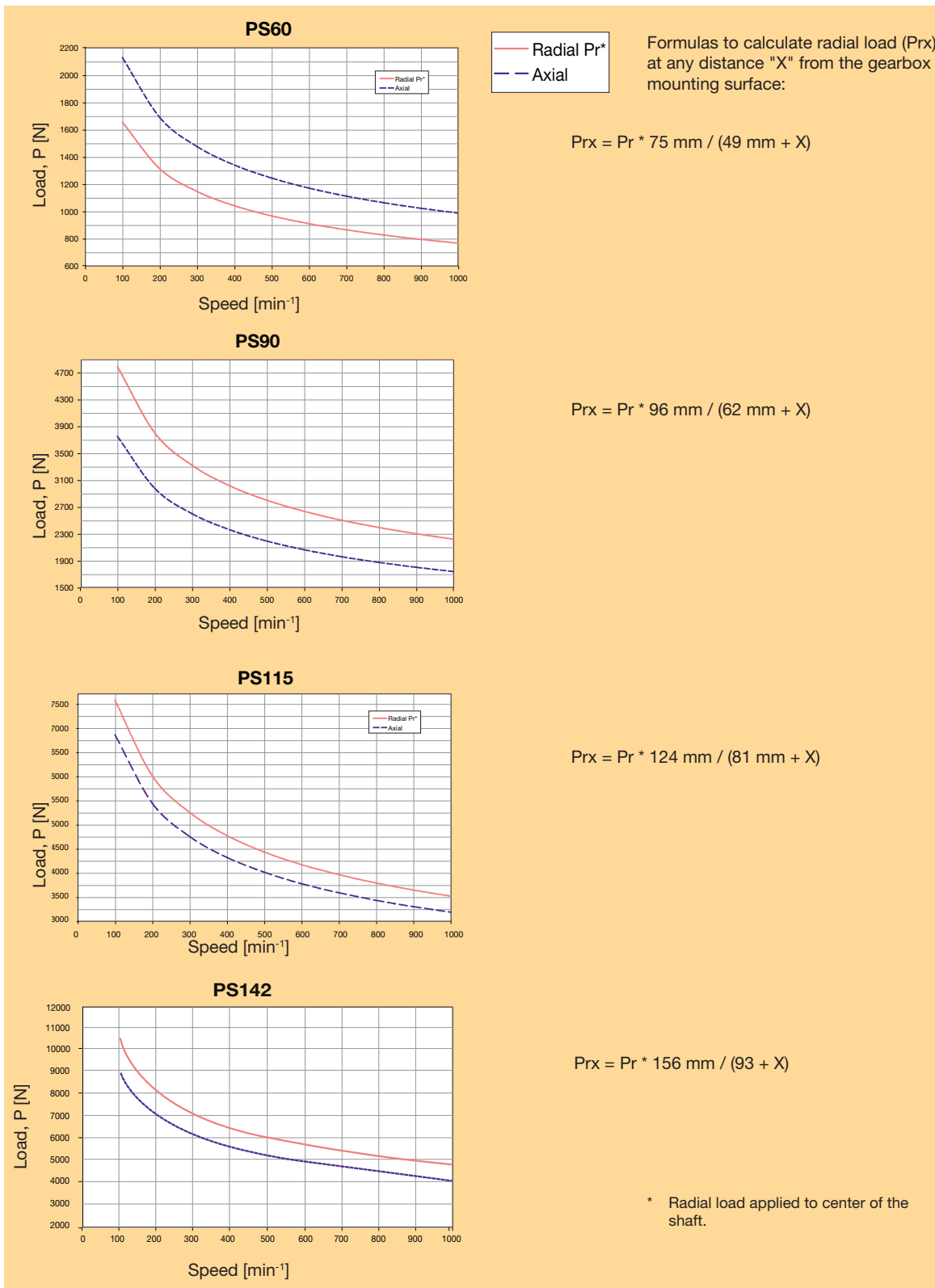
⁽⁵⁾ Max. axial load at 100 min⁻¹.

⁽⁶⁾ Measured at 2 % of rated torque.

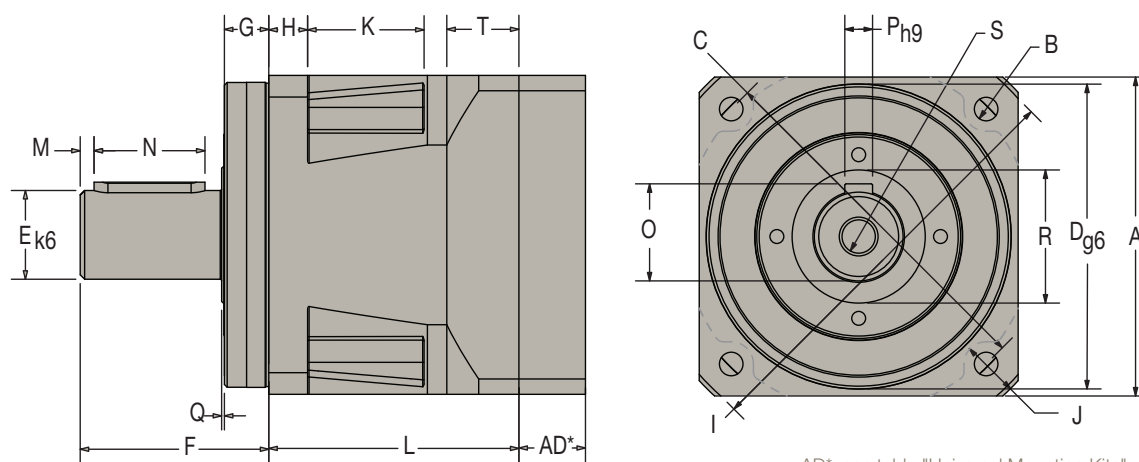
⁽⁷⁾ Measure at 1 m.

⁽⁸⁾ Gearboxes in bold print - ratios with standard reversing play are on stock. (for PS60 to PS115 only)

Load on Input Shaft



Dimensions



AD*: see table "Universal Mounting Kits"

Frame size	All dimensions in mm	PS60	PS90	PS115	PS142
A	Flange cross section	62	90	115	142
B	Fixing bore	5.5	6.5	8.5	11.0
C	Bolt circle	70	100	130	165
D	Motor pilot Ø	50	80	110	130
E	Drive shaftØ	16	22	32	40
F	Drive shaft length	40	52	68	102
G	Motor pilot depth	11	15	16	20
H	Flange width	8	10	14	15
I	Ø Housing	80	116	152	185
J	Housing recess	5	6.5	7.5	10.0
K	Recess length	24	33	42	45
L1	Length single stage	59.8	69.5	90.2	103.7
L2	Length double stage	94.8	113	143.4	170.7
M	Distance from shaft end	2	3	5	5
N	Keyway length	25	32	40	63
O	Key height	18	24.5	35	43
P	Keyway width	5	6	10	12
Q	Collar height	1	1	1.5	2.5
R	Collar Ø	22	35	50	78
S	Center bore (shaft end)	M5x8	M8x16	M12x25	M16x32
T	Width of flange on output side	20.5	20	26	31

Universal Mounting Kits

Adapter length "AD" dimension

Frame size	Motor shaft length [mm]	Gearbox adapter length [mm]
60	16...35	16.5
	35.1...41	22.5
90	20...40	20
	40.1...48	28.5
115	22...50	24
	50.1...61	35
142	26...62	30
	62.1...82	50

PS: Rotor Inertia

All rotor inertias refer to the gearbox input

Ratio	Unit	PS60	PS90	PS115	PS142
3	[kgmm ²]	25	97	340	1480
4	[kgmm ²]	17	67	220	980
5	[kgmm ²]	15	51	170	700
7	[kgmm ²]	14	41	130	530
10	[kgmm ²]	14	37	110	440
15	[kgmm ²]	15	52	170	640
20	[kgmm ²]	15	51	170	640
25	[kgmm ²]	15	51	170	640
30, 40, 50, 70, 100	[kgmm ²]	13	37	110	420

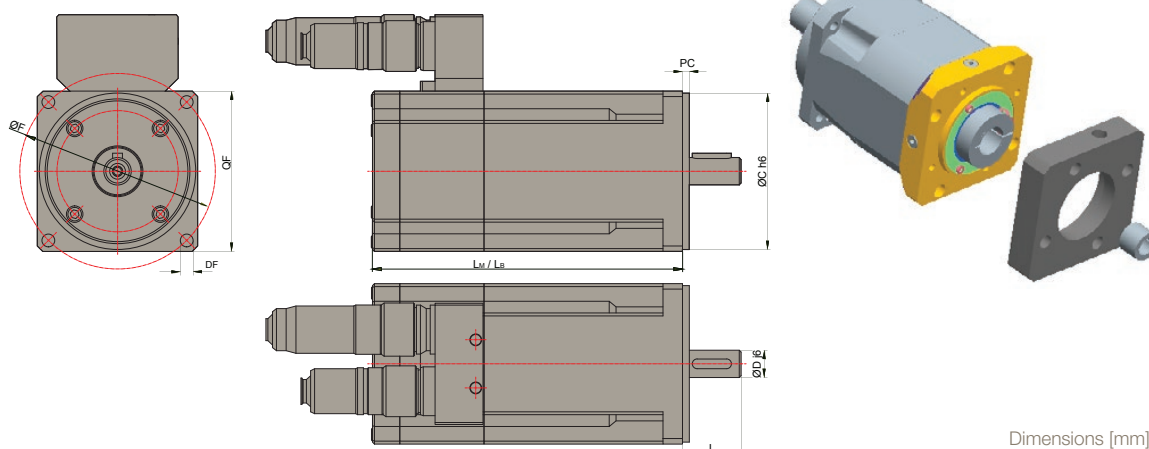
Adapter Flange / Motor - Dimensions (Gear Unit Input Side)

Motor ⁽¹⁾	Flange Type	Motor flange	Flange depth	Bolt circle Ø	Bore Ø	Pilot Ø	Pilot depth	Shaft Ø	Shaft length	Adapter flange		
		QF	PC	F	DF	C	S	D	L	Order No.	Fastening thread	AD ⁽²⁾ (short)
SM_60,###,##,5,11,S	B5	70	7	75	6	60	2.5	11	23	MU60-001	M5	16.5
M_70,###,##,5,11,S	B5	70	7	75	6	60	2.5	11	23	MU60-001	M5	16.5
NX320		56	8.5	75	5.5	60	2.5	11	23	MU60-001	M5	16.5
M_56,###,##,5,9,S	B5	56	6.5	63	5.5	40	2.5	9	20	MU60-003	M5	16.5
SM_60,###,##,8,9,S	B5	60	7	63	5.5	40	2.5	9	20	MU60-003	M5	16.5
SY56#	Nema23	56.5	4.83	66.67	5.3	38.1	1.6	6.35	25.4	MU60-005	M5	16.5
M_56,###,##,5,11,S	B5	56	6.5	63	5.5	40	2.5	11	23	MU60-254	M5	16.5
NX205/210		56	7.2-18	63	5.5	40	2.5	11	25	MU60-254	M5	16.5
NX110		42.5	6	50	3.2	30	2.5	9	25	MU60-255	M3	16.5
SM_82,###,###,8,14,S	B8	82	10	100	6.5	80	3.5	14	30	MU60-321	M6	16.5
SM_82,###,###,8,14,S	B8	82	10	100	6.5	80	3.5	14	30	MU90-001	M6	20
SM_82,###,###,8,19,S	B8	82	10	100	6.5	80	3.5	19	40	MU90-085	M6	20
NX420/430		91.5	10.5	100	7	80	3	19	40	MU90-085	M6	20
M_105,###,##,5,19,S	B5	105	10	115	9.5	95	3.5	19	40	MU90-088	M9	20
SM_100,###,##,5,19,S	B5	100	10	115	9	95	3.5	19	40	MU90-088	M8	20
SM_115,###,##,8,19,S	B8	115	10	130	9	95	3.5	19	40	MU90-345	M8	20
M_105,###,##,5,24,S	B5	105	10	115	9.5	95	3.5	24	50	MU115-005	M8	24
SM_100,###,##,5,24,S	B5	100	10	115	9	95	3.5	24	50	MU115-005	M8	24
SM_115,###,##,8,19,S	B8	115	10	130	9	95	3.5	19	40	MU115-006	M8	24
M_105,###,##,6,24,S	B6	105	10	130	9	110	3.5	24	50	MU115-010	M8	24
SM_115,###,##,7,24,S	B7	130	10	130	9	110	3.5	24	50	MU115-010	M8	24
NX620/630		121	10.5	130	9	110	3.5	24	50	MU115-010	M8	24
SM_82,###,##,8,14,S	B8	82	10	100	6.5	80	3.5	14	30	MU115-015	M6	24
SM_115,###,##,5,24,S	B5	145	10	165	11	130	3.5	24	50	MU115-026	M10	24
SM_142,###,##,5,24,S	B5	145	10	165	11	130	3.5	24	50	MU115-026	M10	24
SM_82,###,##,5,19,S	B5	100	10	115	9	95	3.5	19	40	MU115-039	M8	24
SM_100,###,##,5,19,S	B5	100	10	115	9	95	3.5	19	40	MU115-039	M8	24
SM_82,###,##,8,19,S	B8	82	10	100	6.5	80	3.5	19	40	MU115-089	M6	24
SM_115,###,##,8,24,S	B8	115	10	130	9	95	3.5	24	50	MU115-257	M8	24
M_105,###,##,9,24,S	B9	96	10	100	7	80	3.5	24	50	MU115-269	M6	24
SM_170,###,##, ,38,S	B5	170	8	215	14	180	4	38	80	MU142-40410	M12	53
MH205,###,##, ,38,S	B5	205	8	215	14	180	4	38	80	MU142-40410	M12	53

For motors not shown in the list please contact Parker

⁽¹⁾ MB/SMB: for drives TPDM, SLVDN,
MH/SMH: for drives Compax3, PSD

⁽²⁾ AD: Adapter length (please refer to the "dimensions" chapter)



Dimensions [mm]

Gearbox Sizing

Parker has prepared the following procedure to provide a quick method for selecting a gearbox.

1) Application parameters:

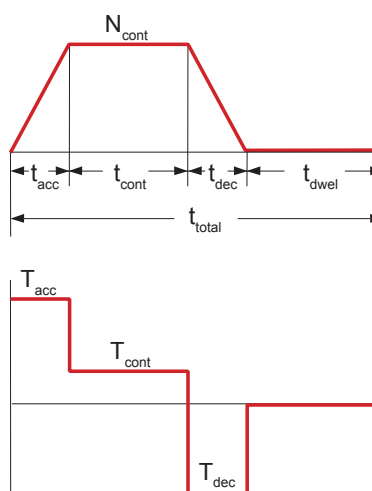
- Acceleration time (t_{acc})
- Continuous run time (t_{cont})
- Deceleration time (t_{dec})
- Dwell time (t_{dwell})
- Acceleration torque (T_{acc})
- Continuous torque (T_{cont})
- Deceleration torque (T_{dec})
- Application speed (N_{cont})
- Transmission ratio (i)
- Gearbox nominal torque ($T_{nom r}$)
- Max. permissible acceleration torque ($T_{acc r}$)
- Percentage of acceleration torque vs. continuous cycle time (t_{total})
- Max. input speed ($N_{max r}$)

2) Duty cycle:

$$\text{Duty cycle} = \frac{t_{acc} + t_{cont} + t_{dec}}{t_{total}} \times 100 \%$$

If duty cycle is <60 % and ($t_{acc} + t_{cont} + t_{dec}$) is less than 20 minutes, the motion is considered to be intermittent.

If duty cycle is <60 % and ($t_{acc} + t_{cont} + t_{dec}$) is more than 20 minutes, the motion is considered to be continuous.



3) For Cycle mode applies:

Determine T_{acc} % of ($T_{acc} + T_{cont} + T_{dec}$):
 $T_{acc} / (T_{acc} + T_{cont} + T_{dec}) \times 100 \%$

Define the ratio: T_{cont} / T_{acc}

Use the table to select the load factor K.

Compare Accel/Decel torque to the maximum permissible accel torque of the gearbox $T_{acc r}$: $T_{acc} < T_{acc r} \times K$, if not, please select a more suitable gearbox.

Compare the required maximum gear speed to the maximum rated speed of the gearbox.

$$N_{max} < N_{max r} / i \text{ (i-gearbox ratio)}$$

Table: Load Factor K

T_{acc} %	$0 < T_{cont} / T_{acc} < 0.25$	$0.25 < T_{cont} / T_{acc} < 0.5$
10-15	1.0	1.0
15-20	1.0	0.95
20-25	0.94	0.89
25-30	0.88	0.84
30-35	0.81	0.79
35-40	0.76	0.75
40-45	0.71	0.70
45-50	0.66	0.66

4) For continuous operation applies:

$$T_{nom} < T_{nom r}$$

$$N_{nom} < N_{nom r} / i$$

5) Check the Emergency Stop Torque Rating.

6) Verify Radial and Axial Shaft Load of the Application for the selected Gearbox.

Order Code

PS Gearboxes

	1	2		3		4	5		6
Order example	PS	60	-	003	-	S	2	/	MU60-088

1 Gearbox type	<ul style="list-style-type: none"> ● PS Gearbox for in-line mounting 																																							
2	<ul style="list-style-type: none"> ● 60 Flange 60 ● 90 Flange 90 ● 115 Flange 115 ● 142 Flange 142 																																							
3 Ratio	<table border="1"> <tbody> <tr><td>003</td><td>3</td><td>●</td></tr> <tr><td>004</td><td>4</td><td></td></tr> <tr><td>005</td><td>5</td><td>●</td></tr> <tr><td>007</td><td>7</td><td></td></tr> <tr><td>010</td><td>10</td><td>●</td></tr> <tr><td>015</td><td>15</td><td></td></tr> <tr><td>020</td><td>20</td><td>●</td></tr> <tr><td>025</td><td>25</td><td></td></tr> <tr><td>030</td><td>30</td><td></td></tr> <tr><td>040</td><td>40</td><td></td></tr> <tr><td>050</td><td>50</td><td>●</td></tr> <tr><td>070</td><td>70</td><td></td></tr> <tr><td>100</td><td>100</td><td></td></tr> </tbody> </table>	003	3	●	004	4		005	5	●	007	7		010	10	●	015	15		020	20	●	025	25		030	30		040	40		050	50	●	070	70		100	100	
003	3	●																																						
004	4																																							
005	5	●																																						
007	7																																							
010	10	●																																						
015	15																																							
020	20	●																																						
025	25																																							
030	30																																							
040	40																																							
050	50	●																																						
070	70																																							
100	100																																							
4 Reverse play / orientation	<ul style="list-style-type: none"> ● S Standard ● L Reduced 																																							
5 Series	<ul style="list-style-type: none"> ● 2 Gen 2 Gearboxes 																																							
6 Adapter flange / Motor assignment	<ul style="list-style-type: none"> ● MU60-001 SMH60,###,##,5,11,S MH70,###,##,5,11,S NX3 ● MU60-003 MH56,###,##,5,9,S SMH60,###,##,8,9,S ● MU60-005 SY56 ● MU60-254 MH56,###,##,5,11,S NX2 ● MU60-255 NX1 ● MU60-321 SMH,###,###,8,14,S ● MU90-001 SMH82,###,##,8,14,S ● MU90-085 SMH82,###,##,8,19,S NX4 ● MU90-088 MH105,###,##,5,19,S SMH100,###,##,5,19,S ● MU90-345 SMH115,###,##,8,19,S ● MU115-005 MH105,###,##,5,24,S SMH100,###,##,5,24,S ● MU115-006 SMH115,###,##,8,19,S ● MU115-010 MH105,###,##,6,24,S SMH115,###,##,7,24,S NX6 ● MU115-015 SMH82,###,##,8,14,S ● MU115-026 SMH115,###,##,5,24,S SMH142,###,##,5,24,S ● MU115-039 SMH82,###,##,5,19,S SMH100,###,##,5,19,S ● MU115-089 SMH82,###,##,8,19,S ● MU115-257 SMH115,###,##,8,24,S ● MU115-269 MH105,###,##,9,24,S ● MU142-40410 SM_170,###,##,38,S MH205,###,##,38,S ● MUxxx-yyy Additional motors 																																							

● On stock, short delivery times

PS gearboxes generally come with a keyway

ATEX Gearboxes GXA Series

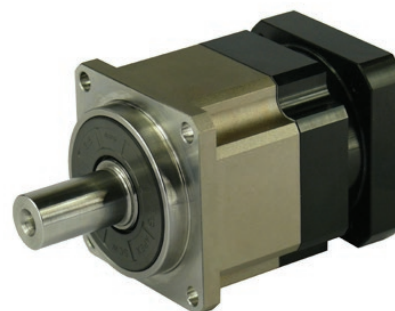
Overview

Description

GXA gearbox series has to be associated with the powerful Parker ATEX servomotors ranges for use in hazardous areas. The precision helical gearing design offers smooth and quiet operation for the most demanding high performance applications.

The solid uncaged needle roller bearings provides maximum contact points to increase stiffness and generates high output torque.

In addition the unique motor adapter and bushing module system design allows to obtain a compact structure and a quick and easy mounting of any ATEX certified Parker motor.



Features

- ATEX certify
- Low backlash
- High efficiency
- Easy mounting
- Low noise
- Compact structure
- Helical Gear Design



Technical Characteristics - Overview

Series	Unit	PS
Gear geometry		Helical Gearing
Type		In-Line
Frame sizes	[mm]	60, 90, 115, 142, 180, 220
Maximum input speed	[min ⁻¹]	up to 10 000
Nominal torque	[Nm]	40...1800
Radial force	[N]	up to 50 000
Life	[h]	up to 20 000
Backlash	[arcmin]	up to ≤ 3
Efficiency	[%]	up to ≥ 97 %
Category		Equipment Group II Category 2 in accordance with Directive 2014/34/EU
Harmonized standard		EN 1127-1:2012
Other technical standards & specifications applied		EN 13463-1:2009, EN 13463-5:2013, ISO281:2004, ISO286:2013, DIN3960

Technical Characteristics

Model No.		Stage	Ratio ¹	GX..R02..	GX..R04..	GX..R06..	GX..R07..	GX..R09..	GX..R10..	
Nominal Output Torque T_{2N}	[Nm]	1	3	55	130	208	342	588	-	
			4	50	140	290	542	1050	-	
			5	60	160	330	650	1200	-	
			6	55	150	310	600	1100	-	
			7	50	140	300	550	1100	-	
			8	45	120	260	500	1000	-	
			9	40	100	230	450	900	-	
			10	40	100	230	450	900	-	
			2	15	-	130	208	342	588	-
				20	-	140	290	542	1050	-
		25		-	160	330	650	1200	-	
		30		-	150	310	600	1100	-	
		35		-	140	300	550	1100	-	
		40		-	120	260	500	1000	-	
		45		-	100	230	450	900	-	
		50		-	160	330	650	1200	-	
		60		-	150	310	600	1100	-	
		70		-	140	300	550	1100	1800	
		80	-	120	260	500	1000	1600		
		90	-	100	230	450	900	1500		
100	-	100	230	450	900	1500				
Emergency Stop Torque T_{2NOT}³	[Nm]	1,2	3~100	3 times of Nominal Output Torque						
Nominal Input Speed n_{1N}	[min⁻¹]	1,2	3~100	5000	4000	4000	3000	3000	2000	
Max. Input Speed n_{1B}	[min⁻¹]	1,2	3~100	10 000	8000	8000	6000	6000	4000	
Standard Backlash	[arcmin]	1	3~10	≤ 5	≤ 5	≤ 5	≤ 5	≤ 5	≤ 5	
		2	15~100	≤ 7	≤ 7	≤ 7	≤ 7	≤ 7	≤ 7	
Reduced Backlash	[arcmin]	1	3~10	≤ 3	≤ 3	≤ 3	≤ 3	≤ 3	≤ 3	
		2	15~100	≤ 5	≤ 5	≤ 5	≤ 5	≤ 5	≤ 5	
Torsional Rigidity	[Nm / arcmin]	1,2	3~100	7	14	25	50	145	225	
Max. Radial Load F_{2rB}²	[N]	1,2	3~100	1530	3250	6700	9400	14500	50000	
Max. Axial Load F_{2aB}²	[N]	1,2	3~100	765	1625	3350	4700	7250	25000	
Lifetime	[h]	1,2	3~100	20 000*						
Efficiency	[%]	1	3~10	≥ 97 %						
		2	15~100	≥ 94 %						
Weight	[kg]	1	3~10	1.3	3.7	7.8	14.5	29	48	
		2	15~100	1.5	4.1	9	17.5	33	60	
Operating Temp	[°C]	1,2	3~100	-10 to 40 °C						
Lubrication				Synthetic grease						
Degree of Gearbox Protection		1,2	3~100	IP65						
Mounting Position		1,2	3~100	All directions						
Noise Level (n₁=3000 min⁻¹, No Load)	[dB(A)]	1,2	3~100	≤ 58	≤ 60	≤ 63	≤ 65	≤ 67	≤ 70	

¹ Ratio (i=N in / N out)

² Applied to the output shaft center @ 100 min⁻¹

³ Max. acceleration torque T_{2B} = 60% of T_{2NOT}

*S1 service life 10,000 hrs.

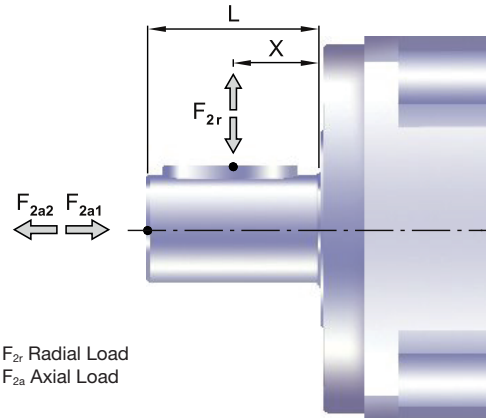
Gearbox Inertia

Model No.	Unit	Stage	Ratio	GX..R02..	GX..R04..	GX..R06..	GX..R07..	GX..R09..	GX..R10..
Mass Moments of inertia J ₁	[kgmm ²]	1	3	16	61	325	921	2898	-
			4	14	48	274	754	2367	-
			5	13	47	271	742	2329	-
			6	13	45	265	725	2275	-
			7	13	45	262	714	2248	-
			8	13	44	258	707	2259	-
			9	13	44	257	704	2253	-
			10	13	44	257	703	2251	-
		2	15	-	13	47	271	742	-
			20	-	13	47	271	742	-
			25	-	13	47	271	742	-
			30	-	13	47	271	742	-
			35	-	13	47	271	742	-
			40	-	13	47	271	742	-
			45	-	13	47	271	742	-
			50	-	13	44	257	703	-
			60	-	13	44	257	703	-
			70	-	13	44	257	703	2251
			80	-	13	44	257	703	2251
			90	-	13	44	257	703	2251
100	-	13	44	257	703	2251			

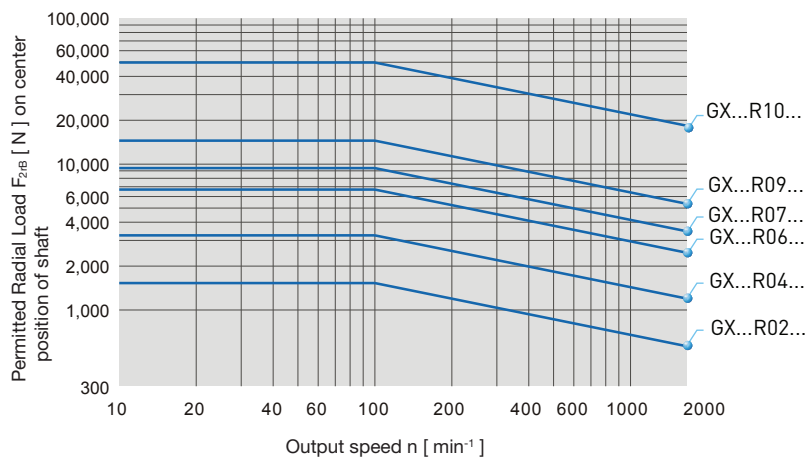
ATEX Gearboxes GXA Series
Permitted radial and axial loads

Permitted radial and axial loads on output shaft of the gearbox

The permitted radial and axial loads on output shaft of the gearbox depend on the design of the gearbox supporting bearings. GXA Series uses the extension straddle oversized ball bearing design. It can take heavy load from both axes.

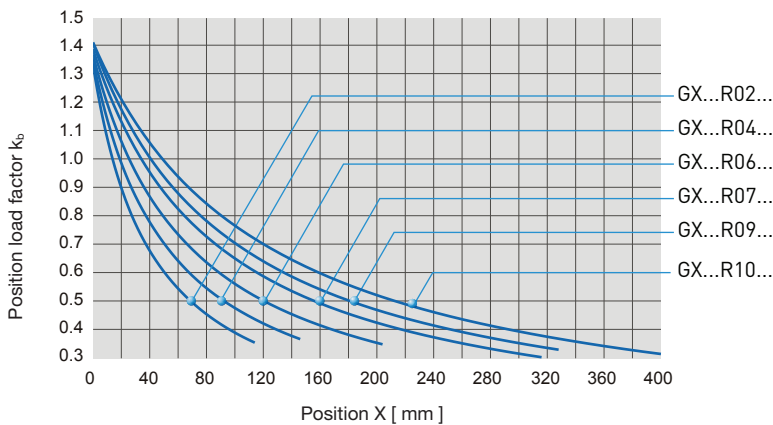


If radial force F_{2r} exert on the center of the output shaft : $X=1/2 \times L$.



The permitted radial load is given on left diagram.

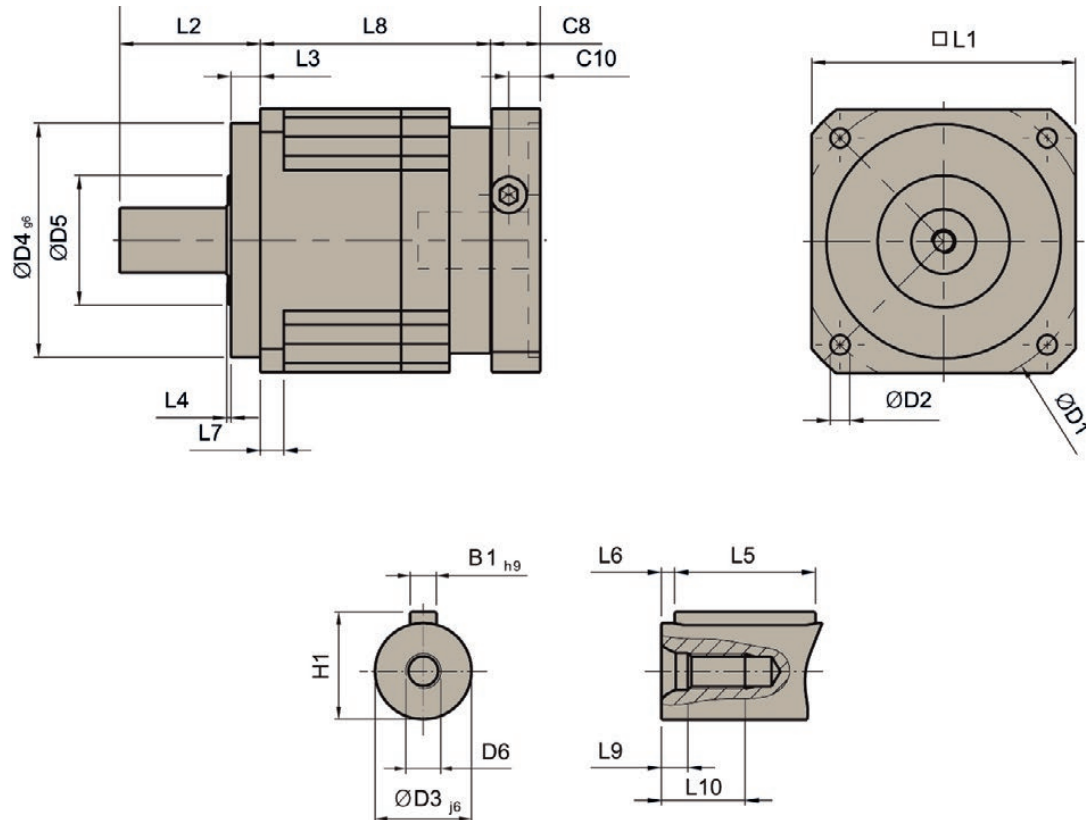
If radial force F_{2r} not exert on the center of the output shaft : $X < 1/2 \times L$ or $X > 1/2 \times L$



The permitted radial load can be calculated by multiplying the current by the position load factor k_b on the left diagram.

Dimensions

1 Stage - Ratio $i = 3 - 10$

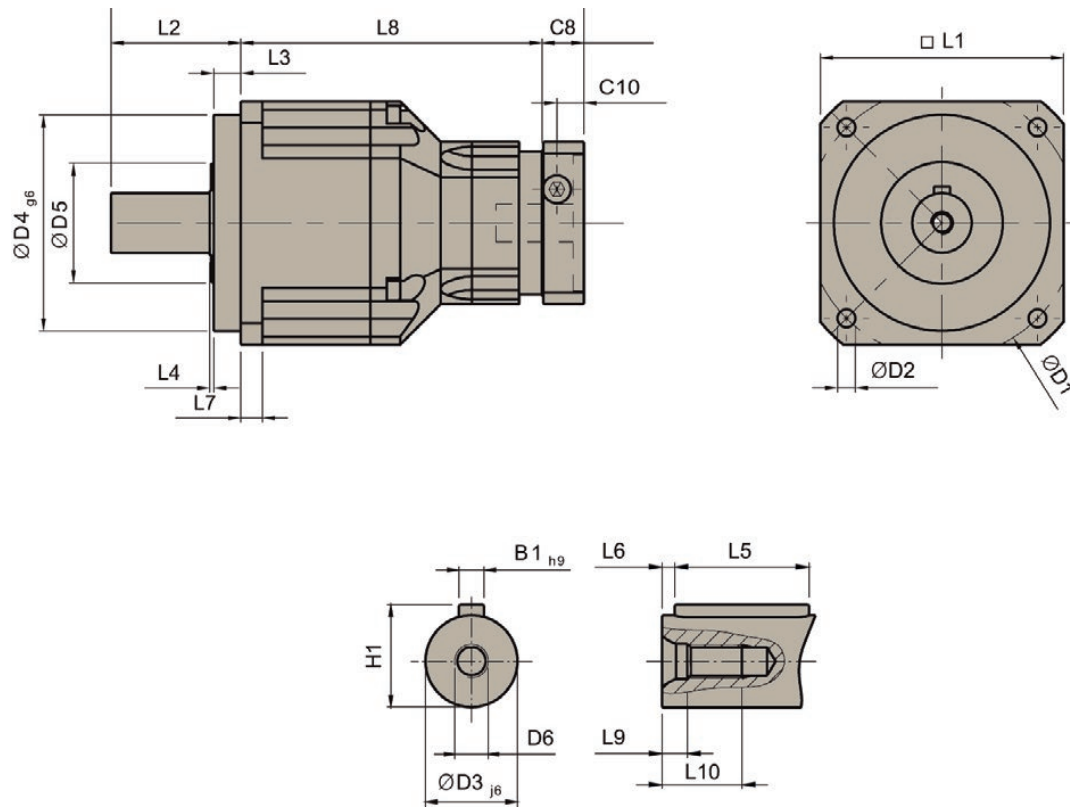


	GX..R02..	GX..R04..	GX..R06..	GX..R07..	GX..R09..
D1	70	100	130	165	215
D2	5.5	6.6	9	11	13
D3 j6	16	22	32	40	55
D4 g6	50	80	110	130	160
D5	45	65	95	75	95
D6	M5 x 0.8	M8 x 1.25	M12 x 1.75	M16 x 0.8	M20 x 2.5
L1	60	90	115	142	180
L2	37	48	65	97	105
L3	7	10	12	15	20
L4	1.5	1.5	2	3	3
L5	25	32	40	63	70
L6	2	3	5	5	6
L7	6	8	10	12	15
L8	61	78.5	102	119.5	154
L9	4.8	7.2	10	12	15
L10	12.5	19	28	36	42
C8 ³	19	17	19.5	22.5	29
C10 ³	13.5	10.75	13	15	20.75
B1 _{h9}	5	6	10	12	16
H1	18	24.5	35	43	59

³C8-C10 are motor specific dimensions.

ATEX Gearboxes GXA Series
Dimensions

2 Stages - Ratio $i = 15 - 100$



	GX..R04..	GX..R06..	GX..R07..	GX..R09..	GX..R10..
D1	100	130	165	215	250
D2	6.6	9	11	13	17
D3 j6	22	32	40	55	75
D4 g6	80	110	130	160	180
D5	65	95	75	95	115
D6	M8 x 1.25	M12 x 1.75	M16 x 2	M20 x 2.5	M20 x 2.5
L1	90	115	142	180	220
L2	48	65	97	105	138
L3	10	12	15	20	30
L4	1.5	2	3	3	3
L5	32	40	63	70	90
L6	3	5	5	6	7
L7	8	10	12	15	20
L8	111.5	143.5	176	209.5	248
L9	7.2	10	12	15	15
L10	19	28	36	42	42
C8 ⁴	19	17	19.5	22.5	29
C10 ⁴	13.5	10.75	13	15	20.75
B1 h9	6	10	12	16	20
H1	24.5	35	43	59	79.5

4. C8-C10 are motor specific dimensions.

Gearbox Combinations

	Ratio	Motor Size				
		EX3 / EY3	EX4 / EY4	EX6 / EY6	EX8 / EY8	
1 stage	3	GXA3N003R0201	GXA4N003R0401	GXA6N003R0601	GXA8N003R0701	
	4	GXA3N004R0201	GXA4N004R0401	GXA6N004R0601	GXA8N004R0701	
	5	GXA3N005R0201	GXA4N005R0401	GXA6N005R0601	GXA8N005R0701	
	6	GXA3N006R0201	GXA4N006R0401	GXA6N006R0601	GXA8N006R0701	
	7	GXA3N007R0201	GXA4N007R0401	GXA6N007R0601	GXA8N007R0701	
	8	GXA3N008R0201	GXA4N008R0401	GXA6N008R0601	GXA8N008R0701	
	9	GXA3N009R0201	GXA4N009R0401	GXA6N009R0601	GXA8N009R0701	
	10	GXA3N010R0201	GXA4N010R0401	GXA6N010R0601	GXA8N010R0701	
2 stages	15	GXA3N015R0401	GXA4N015R0601	GXA6N015R0701	GXA8N015R0901	
	20	GXA3N020R0401	GXA4N020R0601	GXA6N020R0701	GXA8N020R0901	
	25	GXA3N025R0401	GXA4N025R0601	GXA6N025R0701	GXA8N025R0901	
	30	GXA3N030R0401	GXA4N030R0601	GXA6N030R0701	GXA8N030R0901	
	35	GXA3N035R0401	GXA4N035R0601	GXA6N035R0701	GXA8N035R0901	
	40	GXA3N040R0401	GXA4N040R0601	GXA6N040R0701	GXA8N040R0901	
	45	GXA3N045R0401	GXA4N045R0601	GXA6N045R0701	GXA8N045R0901	
	50	GXA3N050R0401	GXA4N050R0601	GXA6N050R0701	GXA8N050R0901	
	60	GXA3N060R0401	GXA4N060R0601	GXA6N060R0701	GXA8N060R0901	
	70			GXA4N070R0601		GXA8N070R0901
		GXA3N070R0401	GXA4N070R0701	GXA6N070R0701	GXA8N070R1001	
	80	GXA3N080R0401	GXA4N080R0601	GXA6N080R0701	GXA8N080R0901	
			GXA4N080R0701		GXA8N080R1001	
	90	GXA3N090R0401	GXA4N090R0601	GXA6N090R0701	GXA8N090R0901	
			GXA4N090R0701		GXA8N090R1001	
	100	GXA3N100R0401	GXA4N100R0601	GXA6N100R0701		
		GXA4N100R0701		GXA8N100R1001		

 Motor gearhead possible combination with torque limitation, please consult us at EM-motion@parker.com

ATEX Gearboxes GXA Series
Order Code

Order Code

GXA Gearboxes

	1	2	3	4	5	6	7
Order example	GX	A	3	N	005	R060	0

1 Gearbox Series	GX	Gearbox for in-line mounting
2 Gearbox Type	A	ATEX version
3 Motor size association *	3	EX3, EY3 (60/75/11/23)
	4	EX4, EY4 (80/100/19/40)
	6	EX6, EY6 (110/130/24/50)
	8	EX8, EY8 (130/165/32/58)
4 Backlash	N	Normal
	R	Reduced
5 Ratio	3 to 10	for GXA 1 stage
	15 to 100	for GXA 2 stages
6 Gearbox Size *	R020	Size 60
	R040	Size 90
	R060	Size 115
	R070	Size 142
	R090	Size 180
	R100	Size 220
7 Shaft	0	Smooth shaft
	1	Keyed shaft

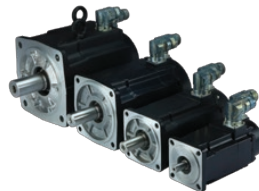
* To find out about possible combinations please refer to the table on page 31.

Explosion proof servo motor

EX Series - Zone 1
www.parker.com/eme/ex



EY Series - Zone 2
www.parker.com/eme/ey





At Parker, we're guided by a relentless drive to help our customers become more productive and achieve higher levels of profitability by engineering the best systems for their requirements. It means looking at customer applications from many angles to find new ways to create value. Whatever the motion and control technology need, Parker has the experience, breadth of product and global reach to consistently deliver. No company knows more about motion and control technology than Parker. For further info call 00800 27 27 5374

Parker's Motion & Control Technologies



Aerospace

Key Markets

Aftermarket services
Commercial transports
Engines
General & business aviation
Helicopters
Launch vehicles
Military aircraft
Missiles
Power generation
Regional transports
Unmanned aerial vehicles

Key Products

Control systems & actuation products
Engine systems & components
Fluid conveyance systems & components
Fluid metering, delivery & atomization devices
Fuel systems & components
Fuel tank inerting systems
Hydraulic systems & components
Thermal management
Wheels & brakes



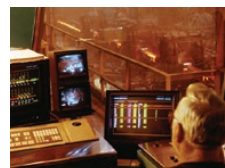
Climate Control

Key Markets

Agriculture
Air conditioning
Construction Machinery
Food & beverage
Industrial machinery
Life sciences
Oil & gas
Precision cooling
Process
Refrigeration
Transportation

Key Products

Accumulators
Advanced actuators
CO₂ controls
Electronic controllers
Filter driers
Hand shut-off valves
Heat exchangers
Hose & fittings
Pressure regulating valves
Refrigerant distributors
Safety relief valves
Smart pumps
Solenoid valves
Thermostatic expansion valves



Electromechanical

Key Markets

Aerospace
Factory automation
Life science & medical
Machine tools
Packaging machinery
Paper machinery
Plastics machinery & converting
Primary metals
Semiconductor & electronics
Textile
Wire & cable

Key Products

AC/DC drives & systems
Electric actuators, gantry robots & slides
Electrohydraulic actuation systems
Electromechanical actuation systems
Human machine interface
Linear motors
Stepper motors, servo motors, drives & controls
Structural extrusions



Filtration

Key Markets

Aerospace
Food & beverage
Industrial plant & equipment
Life sciences
Marine
Mobile equipment
Oil & gas
Power generation & renewable energy
Process
Transportation
Water Purification

Key Products

Analytical gas generators
Compressed air filters & dryers
Engine air, coolant, fuel & oil filtration systems
Fluid condition monitoring systems
Hydraulic & lubrication filters
Hydrogen, nitrogen & zero air generators
Instrumentation filters
Membrane & fiber filters
Microfiltration
Sterile air filtration
Water desalination & purification filters & systems



Fluid & Gas Handling

Key Markets

Aerial lift
Agriculture
Bulk chemical handling
Construction machinery
Food & beverage
Fuel & gas delivery
Industrial machinery
Life sciences
Marine
Mining
Mobile
Oil & gas
Renewable energy
Transportation

Key Products

Check valves
Connectors for low pressure fluid conveyance
Deep sea umbilicals
Diagnostic equipment
Hose couplings
Industrial hose
Mooring systems & power cables
PTFE hose & tubing
Quick couplings
Rubber & thermoplastic hose
Tube fittings & adapters
Tubing & plastic fittings



Hydraulics

Key Markets

Aerial lift
Agriculture
Alternative energy
Construction machinery
Forestry
Industrial machinery
Machine tools
Marine
Material handling
Mining
Oil & gas
Power generation
Refuse vehicles
Renewable energy
Truck hydraulics
Turf equipment

Key Products

Accumulators
Cartridge valves
Electrohydraulic actuators
Human machine interfaces
Hybrid drives
Hydraulic cylinders
Hydraulic motors & pumps
Hydraulic systems
Hydraulic valves & controls
Hydrostatic steering
Integrated hydraulic circuits
Power take-offs
Power units
Rotary actuators
Sensors



Pneumatics

Key Markets

Aerospace
Conveyor & material handling
Factory automation
Life science & medical
Machine tools
Packaging machinery
Transportation & automotive

Key Products

Air preparation
Brass fittings & valves
Manifolds
Pneumatic accessories
Pneumatic actuators & grippers
Pneumatic valves & controls
Quick disconnects
Rotary actuators
Rubber & thermoplastic hose & couplings
Structural extrusions
Thermoplastic tubing & fittings
Vacuum generators, cups & sensors



Process Control

Key Markets

Alternative fuels
Biopharmaceuticals
Chemical & refining
Food & beverage
Marine & shipbuilding
Medical & dental
Microelectronics
Nuclear Power
Offshore oil exploration
Oil & gas
Pharmaceuticals
Power generation
Pulp & paper
Steel
Water/wastewater

Key Products

Analytical Instruments
Analytical sample conditioning products & systems
Chemical injection fittings & valves
Fluoropolymer chemical delivery fittings, valves & pumps
High purity gas delivery fittings, valves, regulators & digital flow controllers
Industrial mass flow meters/controllers
Permanent no-weld tube fittings
Precision industrial regulators & flow controllers
Process control double block & bleeds
Process control fittings, valves, regulators & manifold valves



Sealing & Shielding

Key Markets

Aerospace
Chemical processing
Consumer
Fluid power
General industrial
Information technology
Life sciences
Microelectronics
Military
Oil & gas
Power generation
Renewable energy
Telecommunications
Transportation

Key Products

Dynamic seals
Elastomeric o-rings
Electro-medical instrument design & assembly
EMI shielding
Extruded & precision-cut, fabricated elastomeric seals
High temperature metal seals
Homogeneous & inserted elastomeric shapes
Medical device fabrication & assembly
Metal & plastic retained composite seals
Shielded optical windows
Silicone tubing & extrusions
Thermal management
Vibration dampening

Parker Worldwide

Europe, Middle East, Africa

AE – United Arab Emirates, Dubai
Tel: +971 4 8127100
parker.me@parker.com

AT – Austria, Wiener Neustadt
Tel: +43 (0)2622 23501-0
parker.austria@parker.com

AT – Eastern Europe, Wiener Neustadt
Tel: +43 (0)2622 23501 900
parker.easteurope@parker.com

AZ – Azerbaijan, Baku
Tel: +994 50 2233 458
parker.azerbaijan@parker.com

BE/LU – Belgium, Nivelles
Tel: +32 (0)67 280 900
parker.belgium@parker.com

BG – Bulgaria, Sofia
Tel: +359 2 980 1344
parker.bulgaria@parker.com

BY – Belarus, Minsk
Tel: +48 (0)22 573 24 00
parker.poland@parker.com

CH – Switzerland, Etoy
Tel: +41 (0)21 821 87 00
parker.switzerland@parker.com

CZ – Czech Republic, Klecany
Tel: +420 284 083 111
parker.czechrepublic@parker.com

DE – Germany, Kaarst
Tel: +49 (0)2131 4016 0
parker.germany@parker.com

DK – Denmark, Ballerup
Tel: +45 43 56 04 00
parker.denmark@parker.com

ES – Spain, Madrid
Tel: +34 902 330 001
parker.spain@parker.com

FI – Finland, Vantaa
Tel: +358 (0)20 753 2500
parker.finland@parker.com

FR – France, Contamine s/Arve
Tel: +33 (0)4 50 25 80 25
parker.france@parker.com

GR – Greece, Athens
Tel: +30 210 933 6450
parker.greece@parker.com

HU – Hungary, Budaörs
Tel: +36 23 885 470
parker.hungary@parker.com

IE – Ireland, Dublin
Tel: +353 (0)1 466 6370
parker.ireland@parker.com

IL – Israel
Tel: +39 02 45 19 21
parker.israel@parker.com

IT – Italy, Corsico (MI)
Tel: +39 02 45 19 21
parker.italy@parker.com

KZ – Kazakhstan, Almaty
Tel: +7 7273 561 000
parker.easteurope@parker.com

NL – The Netherlands, Oldenzaal
Tel: +31 (0)541 585 000
parker.nl@parker.com

NO – Norway, Asker
Tel: +47 66 75 34 00
parker.norway@parker.com

PL – Poland, Warsaw
Tel: +48 (0)22 573 24 00
parker.poland@parker.com

PT – Portugal
Tel: +351 22 999 7360
parker.portugal@parker.com

RO – Romania, Bucharest
Tel: +40 21 252 1382
parker.romania@parker.com

RU – Russia, Moscow
Tel: +7 495 645-2156
parker.russia@parker.com

SE – Sweden, Spånga
Tel: +46 (0)8 59 79 50 00
parker.sweden@parker.com

SK – Slovakia, Banská Bystrica
Tel: +421 484 162 252
parker.slovakia@parker.com

SL – Slovenia, Novo Mesto
Tel: +386 7 337 6650
parker.slovenia@parker.com

TR – Turkey, Istanbul
Tel: +90 216 4997081
parker.turkey@parker.com

UA – Ukraine, Kiev
Tel: +48 (0)22 573 24 00
parker.poland@parker.com

UK – United Kingdom, Warwick
Tel: +44 (0)1926 317 878
parker.uk@parker.com

ZA – South Africa, Kempton Park
Tel: +27 (0)11 961 0700
parker.southafrica@parker.com

North America

CA – Canada, Milton, Ontario
Tel: +1 905 693 3000

US – USA, Cleveland
Tel: +1 216 896 3000

Asia Pacific

AU – Australia, Castle Hill
Tel: +61 (0)2-9634 7777

CN – China, Shanghai
Tel: +86 21 2899 5000

HK – Hong Kong
Tel: +852 2428 8008

IN – India, Mumbai
Tel: +91 22 6513 7081-85

JP – Japan, Tokyo
Tel: +81 (0)3 6408 3901

KR – South Korea, Seoul
Tel: +82 2 559 0400

MY – Malaysia, Shah Alam
Tel: +60 3 7849 0800

NZ – New Zealand, Mt Wellington
Tel: +64 9 574 1744

SG – Singapore
Tel: +65 6887 6300

TH – Thailand, Bangkok
Tel: +662 186 7000

TW – Taiwan, Taipei
Tel: +886 2 2298 8987

South America

AR – Argentina, Buenos Aires
Tel: +54 3327 44 4129

BR – Brazil, Sao Jose dos Campos
Tel: +55 800 727 5374

CL – Chile, Santiago
Tel: +56 2 623 1216

MX – Mexico, Toluca
Tel: +52 72 2275 4200

We reserve the right to make technical changes. The data correspond to the technical state at the time of printing.
© 2016 Parker Hannifin Corporation. All rights reserved.

192-753015N1

July 2016



EMEA Product Information Centre

Free phone: 00 800 27 27 5374

(from AT, BE, CH, CZ, DE, DK, EE, ES, FI, FR, IE, IL, IS, IT, LU, MT, NL, NO, PL, PT, RU, SE, SK, UK, ZA)

US Product Information Centre

Toll-free number: 1-800-27 27 537

www.parker.com

Your local authorized Parker distributor