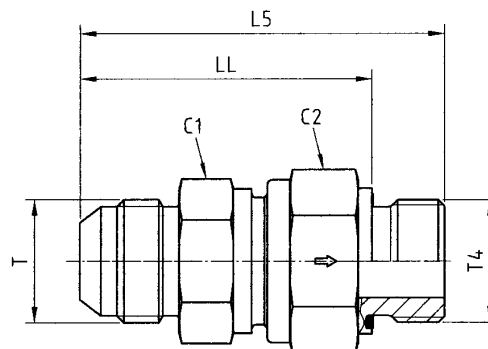




RHZ42EDMXS Non return valve

Triple-Lok® 37° flare end / Male BSPP thread – ED-seal (ISO 1179)



Tube O.D.		BSPP thread T4	Thread JIC SAE T	C1	C2	L5	LL	DN (Nom. diam.)	Weight g/1 piece	Order code*	PN (bar) ¹⁾ CF
mm	Inch										
6	1/4	G 1/8	7/16-20 UNF	19	19	48.0	40.0	3.5	89	4RHZ42EDMXS	420
8	5/16	G 1/4	1/2-20 UNF	22	24	59.0	47.0	5.5	156	5-4RHZ42EDMXS	420
10	3/8	G 1/4	9/16-18 UNF	24	27	62.0	50.0	7.5	190	6RHZ42EDMXS	420
12	1/2	G 3/8	3/4-16 UNF	27	32	66.0	54.0	9.5	278	8RHZ42EDMXS	420
14, 15, 16	5/8	G 1/2	7/8-14 UNF	32	36	74.0	60.0	11.5	348	10RHZ42EDMXS	350
18, 20	3/4	G 3/4	1 1/16-12 UN	41	46	82.5	66.5	15.0	634	12RHZ42EDMXS	350
25	1	G 1	1 5/16-12 UN	46	50	89.5	71.5	19.0	863	16RHZ42EDMXS	280
28, 30, 32	1 1/4	G 1 1/4	1 5/8-12 UN	60	60	102.0	82.0	24.0	1397	20RHZ42EDMXS	250
35, 38	1 1/2	G 1 1/2	1 7/8-12 UN	65	70	115.0	93.0	29.0	2001	24RHZ42EDMXS	210

¹⁾Pressure shown = item deliverable

$$\frac{\text{PN (bar)}}{10} = \text{PN (MPa)}$$

Information on ordering complete fittings or alternative sealing materials see page 17.



*Please add the **suffixes** below according to the material/surface required.

Order code suffixes			
Material	Suffix surface and material	Example	Standard sealing material (no additional suffix needed)
Steel, zinc plated, Cr(VI)-free	CF	4RHZ42EDMXSCF	NBR

