

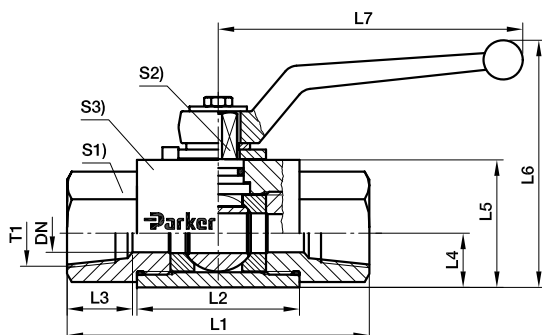


## Ball valves

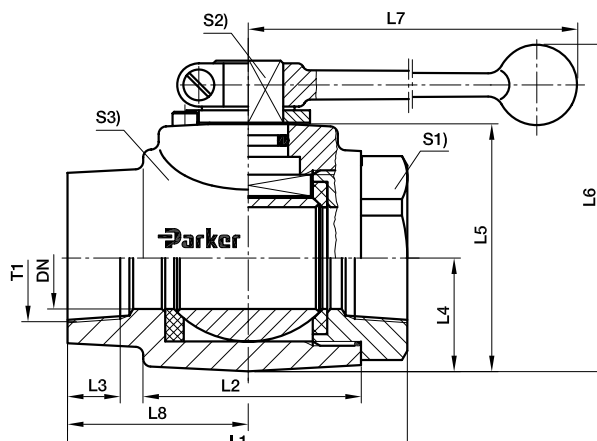
### KH 2-way NPT ball valve steel

Female NPT thread (SAE 476) / Female NPT thread (SAE 476)

DN 4-25



DN 32-40



T1	DN	L1	L2	L3	L4	L5	L6	L7	L8	S1	S2	S3	Weight g/1 piece	Order code*	PN (bar) <sup>1)</sup>
1/8-27 NPT	4	69	36	7.0	10.0	25	55.0	76	-	19	7	20	225	<b>KH1/8NPTX</b>	500
1/4-18 NPT	6	69	36	10.0	10.0	25	55.0	76	-	19	7	20	210	<b>KH1/4NPTX</b>	500
3/8-18 NPT	10	73	45	10.4	14.5	35	68.0	100	-	24	8	30	430	<b>KH3/8NPTX</b>	500
1/2-14 NPT	12	82	51	13.6	17.0	40	92.0	112	-	30	10	35	670	<b>KH1/2NPTX</b>	500
3/4-14 NPT	20	93	60	14.0	24.0	55	113.0	187	-	41	14	45	1280	<b>KH3/4NPTX</b>	400
1-11.5 NPT	25	113	70	16.8	26.0	60	118.0	187	-	50	14	55	1970	<b>KH1NPTX</b>	400
1 1/4-11.5 NPT	32	110	70	17.3	36.5	80	180.5	320	58.5	60	17	73	3074	<b>KH11/4NPTX</b>	315
1 1/2-11.5 NPT	40	114	75	17.3	42.5	90	190.5	320	57.0	70	17	85	3976	<b>KH11/2NPTX</b>	315

<sup>1)</sup> Pressure shown = item deliverable

$\frac{PN \text{ (bar)}}{10} = PN \text{ (MPa)}$

Delivery without nut and ring. Information on ordering complete fittings or alternative sealing materials see page I7.

Order code suffixes			
Material	Suffix surface and material	Example	Standard sealing material (no additional suffix needed)
Steel, zinc plated, Cr(VI)-free	CF	KH1/8NPTCFX	POM / NBR
Steel	DIN 50938-FE//A/T4	KH1/8NPTX	POM / NBR

