

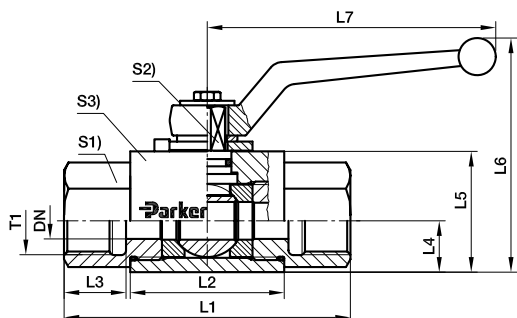


Ball valves

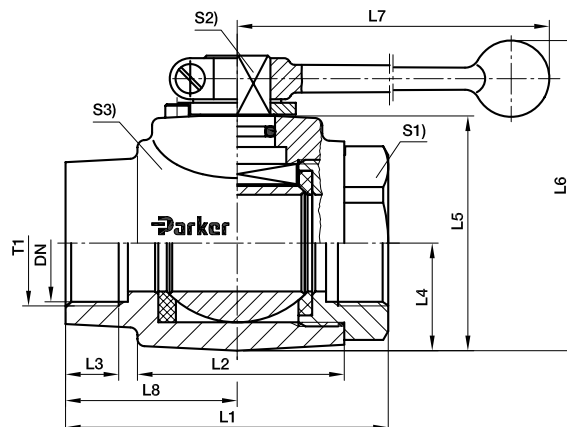
KH 2-way BSPP ball valve steel

Female BSPP thread (ISO 1179-1) / Female BSPP thread (ISO 1179-1)

DN 4-25



DN 32-40



T1	DN	L1	L2	L3	L4	L5	L6	L7	L8	S1	S2	S3	Weight g/1 piece	Order code*	PN (bar) ¹⁾
G 1/8	4	69	36.0	12.0	10.0	25	55.0	76	-	19	7	20	220	KH1/8X	500
G 1/4	6	69	36.0	12.0	10.0	25	55.0	76	-	19	7	20	210	KH1/4X	500
G 3/8	10	73	45.0	14.0	14.5	35	68.0	100	-	24	8	30	430	KH3/8X	500
G 1/2	12	82	51.0	15.0	17.0	40	92.0	112	-	30	10	35	670	KH1/2X	500
G 5/8	16	88	50.0	18.0	20.0	45	105.0	166	-	36	11	45	973	KH5/8X	400
G 3/4	20	93	60.0	18.0	24.0	55	113.0	187	-	41	14	45	1280	KH3/4X	400
G 1	25	113	70.0	20.0	26.0	60	118.0	187	-	50	14	55	1982	KH1X	400
G 1 1/4	32	110	70.0	20.0	36.5	80	180.5	320	58.5	60	17	73	2620	KH11/4X	315
G 1 1/4	25	134	70.0	20.0	26.0	60	118.0	187	-	50	14	55	2066	KH11/4DN25X	400
G 1 1/2	40	114	75.0	22.0	42.5	90	190.5	320	57.0	70	17	85	3989	KH11/2X	315
G 1 1/2	25	139	70.0	22.0	26.0	60	118.0	187	-	55	14	55	2200	KH11/2DN25X	400
G 2	50	129	91.5	27.5	49.5	104	180.0	320	65.0	85	17	99	5020	KH2X	400

¹⁾Pressure shown = item deliverable

$\frac{PN \text{ (bar)}}{10} = PN \text{ (MPa)}$

Delivery without nut and ring. Information on ordering complete fittings or alternative sealing materials see page 17.

Order code suffixes			
Material	Suffix surface and material	Example	Standard sealing material (no additional suffix needed)
Steel, zinc plated, Cr(VI)-free	CF	KH1/8CFX	POM / NBR
Steel	DIN 50938-FE//A/T4	KH1/8X	POM / NBR

