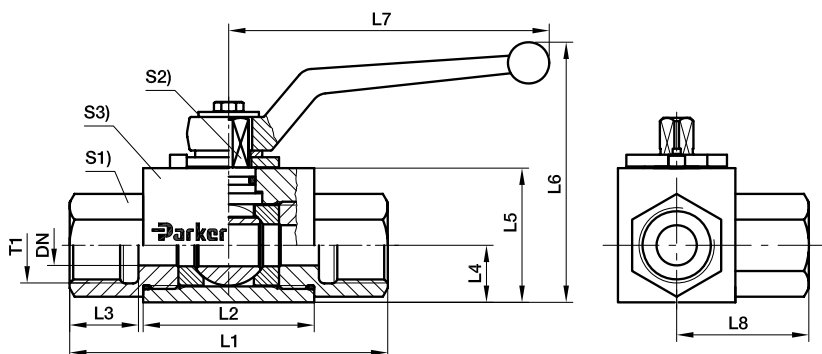




### KH 3-way compact BSPP ball valve steel

Female BSPP thread (ISO 1179-1) / Female BSPP thread (ISO 1179-1) /  
Female BSPP thread (ISO 1179-1)

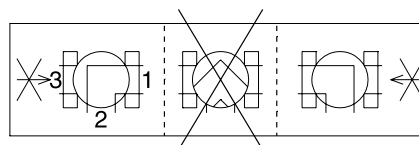


T1	DN	L1	L2	L3	L4	L5	L6	L7	L8	S1	S2	S3	Weight g/1 piece	Order code*	PN (bar) <sup>1)</sup>
G 1/8	4	69	36	12	15.0	30	55	76	34.5	19	7	30	270	<b>KH3/2-1/8X</b>	500
G 1/4	6	69	36	12	15.0	30	55	76	34.5	19	7	30	342	<b>KH3/2-1/4X</b>	500
G 3/8	10	73	45	14	14.5	35	68	100	36.5	24	8	40	563	<b>KH3/2-3/8X</b>	500
G 1/2	12	82	51	15	22.0	45	92	112	41.0	30	10	45	932	<b>KH3/2-1/2X</b>	500
G 3/4	20	93	60	18	29.0	60	113	187	48.0	41	14	55	1724	<b>KH3/2-3/4X</b>	400
G 1	25	118	70	18	31.0	65	119	187	57.5	50	14	65	2643	<b>KH3/2-1X</b>	400
G 1 1/4	32/25	134	70	20	31.0	65	119	187	67.0	50	14	65	2710	<b>KH3/2-11/4X</b>	400
G1 1/2	40/25	139	70	22	31.0	65	119	187	69.5	50	14	65	2910	<b>KH3/2-11/2X</b>	400

<sup>1)</sup> Pressure shown = item deliverable

$$\frac{\text{PN (bar)}}{10} = \text{PN (MPa)}$$

Delivery without nut and ring. Information on ordering complete fittings or alternative sealing materials see page 17.



**L-Version**



Order code suffixes			
Material	Suffix surface and material	Example	Standard sealing material (no additional suffix needed)
Steel, zinc plated, Cr(VI)-free	CF	KH3/2-1/8CFX	POM / NBR
Steel	DIN 50938-FE//A/T4	KH3/2-1/8X	POM / NBR

