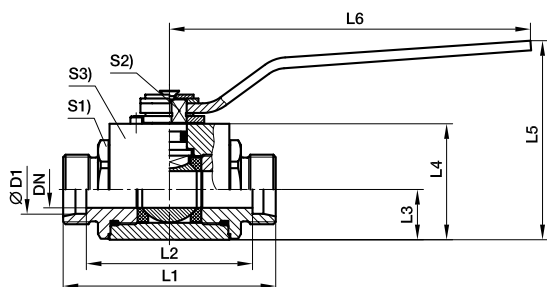




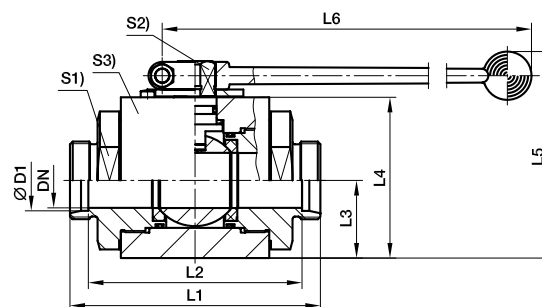
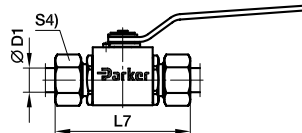
Ball valves

KH 2-way ball valve stainless steel

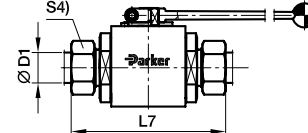
EO 24° cone end / EO 24° cone end



DN 4-25



DN 32-40



Series	D1	DN	L1	L2	L3	L4	L5	L6	L7	S1	S2	S3	S4	Weight g/1 piece	Order code*	PN (bar) ¹⁾ 71
L ³⁾	06	4	73	59	13.7	30.0	56.5	76	88	22	7	30	14	383	KH06L71X	500
	08	6	73	59	13.7	30.0	56.5	76	88	22	7	30	17	381	KH08L71X	500
	10	8	87	73	18.0	40.0	84.5	130	102	30	8	40	19	809	KH10L71X	500
	12	10	87	73	18.0	40.0	84.5	130	102	30	8	40	22	821	KH12L71X	500
	15	12	91	77	21.0	45.0	90.0	130	107	32	10	45	27	1020	KH15L71X	500
	18	16/12	91	76	21.0	45.0	90.0	130	108	32	10	45	32	1037	KH18L71X	500
	22	20	105	87	31.0	65.0	115.0	185	119	46	14	65	36	1610	KH22L71X	420
	28	25	112	92	38.0	75.0	125.0	185	125	50	14	75	41	2032	KH28L71X	420
	35	32	145	124	45.0	93.2	175.0	320	148	70	19	100	50	4780	KH35L71X	420
	42	40	150	114	52.5	104.4	186.0	320	159	80	19	110	60	7754	KH42L71X	420
S ⁴⁾	08	4	76	62	13.7	30.0	56.5	76	91	22	7	30	19	392	KH08S71X	500
	10	6	76	61	13.7	30.0	56.5	76	93	22	7	30	22	460	KH10S71X	500
	12	8	89	74	18.0	40.0	84.5	130	106	30	8	40	24	840	KH12S71X	500
	14	10	93	77	18.0	40.0	84.5	130	112	30	8	40	27	847	KH14S71X	500
	16	12	96	79	21.0	45.0	90.0	130	115	32	10	45	30	1055	KH16S71X	500
	20	16/12	99	78	21.0	45.0	90.0	130	121	32	10	45	36	1079	KH20S71X	500
	25	20	113	86	31.0	65.0	115.0	185	134	46	14	65	46	1720	KH25S71X	420
	30	25	124	93	38.0	75.0	125.0	185	146	50	14	75	50	2150	KH30S71X	420
	38	32	145	100	45.0	93.2	175.0	320	161	70	19	100	60	6066	KH38S71X	420

¹⁾ Pressure shown = item deliverable

³⁾ L = light series; ⁴⁾ S = heavy series

PN (bar) = PN (MPa)
10

Delivery without nut and ring. Information on ordering complete fittings or alternative sealing materials see page 17.

*Please add the **suffixes** below according to the material/ surface required.

Order code suffixes			
Material	Suffix surface and material	Example	Standard sealing material (no additional suffix needed)
Stainless Steel	without	KH06L71X	POM / NBR

