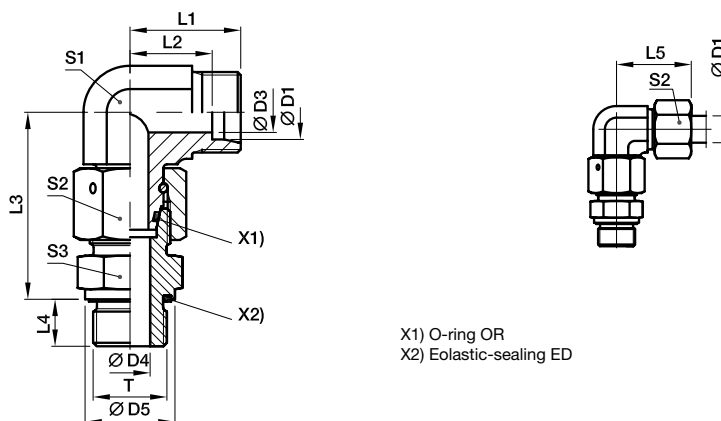



**EW-M-ED Assembled adjustable swivel elbow**

EO 24° cone end / Male metric thread – ED-seal (ISO 9974)



| Series          | D1 | T        | D3 | D4 | D5 | L1 | L2   | L3   | L4 | L5 | S1 | S2 | S3 | Weight<br>g/1 piece | Order code* | PN (bar) <sup>1)</sup> |     |
|-----------------|----|----------|----|----|----|----|------|------|----|----|----|----|----|---------------------|-------------|------------------------|-----|
|                 |    |          |    |    |    |    |      |      |    |    |    |    |    |                     |             | CF                     | 71  |
| L <sup>3)</sup> | 06 | M 10×1.0 | 4  | 4  | 14 | 19 | 12.0 | 34.5 | 8  | 27 | 12 | 14 | 14 | 47                  | EW06LMEDOMD | 500                    | 315 |
|                 | 08 | M 12×1.5 | 6  | 6  | 17 | 21 | 14.0 | 37.5 | 12 | 29 | 12 | 17 | 17 | 69                  | EW08LMEDOMD | 500                    | 315 |
|                 | 10 | M 14×1.5 | 8  | 7  | 19 | 22 | 15.0 | 40.0 | 12 | 30 | 14 | 19 | 19 | 87                  | EW10LMEDOMD | 500                    | 315 |
|                 | 12 | M 16×1.5 | 10 | 9  | 22 | 24 | 17.0 | 42.0 | 12 | 32 | 17 | 22 | 22 | 111                 | EW12LMEDOMD | 400                    | 315 |
|                 | 15 | M 18×1.5 | 12 | 11 | 24 | 28 | 21.0 | 46.0 | 12 | 36 | 19 | 27 | 24 | 179                 | EW15LMEDOMD | 400                    | 315 |
|                 | 18 | M 22×1.5 | 15 | 14 | 27 | 31 | 23.5 | 50.0 | 14 | 40 | 24 | 32 | 27 | 272                 | EW18LMEDOMD | 400                    | 315 |
|                 | 22 | M 26×1.5 | 19 | 18 | 32 | 35 | 27.5 | 55.0 | 16 | 44 | 27 | 36 | 32 | 360                 | EW22LMEDOMD | 250                    | 160 |
|                 | 28 | M 33×2.0 | 24 | 23 | 40 | 38 | 30.5 | 59.0 | 18 | 47 | 36 | 41 | 41 | 538                 | EW28LMEDOMD | 250                    | 160 |
|                 | 35 | M 42×2.0 | 30 | 30 | 50 | 45 | 34.5 | 68.5 | 20 | 56 | 41 | 50 | 50 | 843                 | EW35LMEDOMD | 250                    | 160 |
|                 | 42 | M 48×2.0 | 36 | 36 | 55 | 51 | 40.0 | 75.0 | 22 | 63 | 50 | 60 | 55 | 1353                | EW42LMEDOMD | 250                    | 160 |
| S <sup>4)</sup> | 06 | M 12×1.5 | 4  | 4  | 17 | 23 | 16.0 | 40.0 | 12 | 31 | 12 | 17 | 17 | 77                  | EW06SMEDOMD | 800                    | 630 |
|                 | 08 | M 14×1.5 | 5  | 5  | 19 | 24 | 17.0 | 42.5 | 12 | 32 | 14 | 19 | 19 | 107                 | EW08SMEDOMD | 800                    | 630 |
|                 | 10 | M 16×1.5 | 6  | 7  | 22 | 25 | 17.5 | 45.0 | 12 | 34 | 17 | 22 | 22 | 146                 | EW10SMEDOMD | 800                    | 630 |
|                 | 12 | M 18×1.5 | 8  | 8  | 24 | 29 | 21.5 | 48.0 | 12 | 38 | 17 | 24 | 24 | 178                 | EW12SMEDOMD | 630                    | 630 |
|                 | 14 | M 20×1.5 | 9  | 10 | 26 | 30 | 22.0 | 54.0 | 14 | 40 | 19 | 27 | 27 | 203                 | EW14SMEDOMD | 630                    | 630 |
|                 | 16 | M 22×1.5 | 12 | 12 | 27 | 33 | 24.5 | 55.0 | 14 | 43 | 24 | 30 | 27 | 307                 | EW16SMEDOMD | 630                    | 400 |
|                 | 20 | M 27×2.0 | 16 | 16 | 32 | 37 | 26.5 | 65.0 | 16 | 48 | 27 | 36 | 32 | 459                 | EW20SMEDOMD | 420                    | 400 |
|                 | 25 | M 33×2.0 | 20 | 20 | 40 | 42 | 30.0 | 73.0 | 18 | 54 | 36 | 46 | 41 | 812                 | EW25SMEDOMD | 420                    | 400 |
|                 | 30 | M 42×2.0 | 25 | 25 | 50 | 49 | 35.5 | 78.5 | 20 | 62 | 41 | 50 | 50 | 1167                | EW30SMEDOMD | 420                    | 400 |
|                 | 38 | M 48×2.0 | 32 | 32 | 55 | 57 | 41.0 | 89.0 | 22 | 72 | 50 | 60 | 55 | 1790                | EW38SMEDOMD | 420                    | 315 |

1) Pressure shown = item deliverable

3) L = light series; 4) S = heavy series

$$\frac{PN \text{ (bar)}}{10} = PN \text{ (MPa)}$$
**Delivery without nut and ring. Information on ordering complete fittings or alternative sealing materials see page 17.**

 \*Please add the **suffixes** below according to the material/surface required.

| Order code suffixes             |                             |               |   |
|---------------------------------|-----------------------------|---------------|---|
| Material                        | Suffix surface and material | Example       | Standard sealing material (no additional suffix needed) |
| Steel, zinc plated, Cr(VI)-free | CF                          | EW16SMEDOMDCF | NBR   |
| Stainless Steel                 | 71                          | EW16SMEDOMD71 | VIT   |

