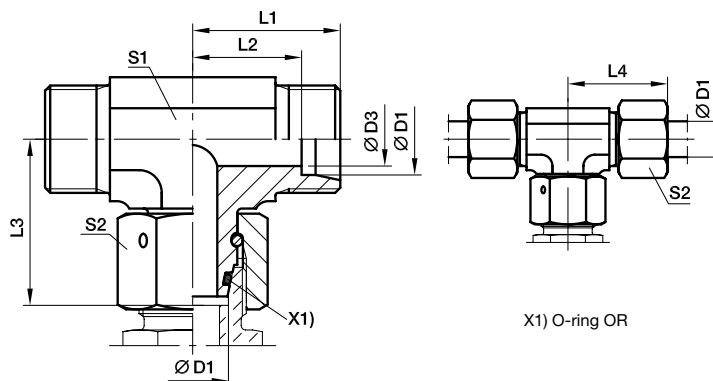


DIN fittings



ET Swivel nut branch tee

EO 24° cone end / EO 24° DKO swivel



Series	D1	D3	L1	L2	L3	L4	S1	S2	Weight g/1 piece	Order code*	PN (bar) ¹⁾		
											CF	71	
L ³⁾	06	4	19	12.0	26.0	27	12	14	42	ET06LOMD	500	315	
	08	6	21	14.0	27.5	29	12	17	53	ET08LOMD	500	315	
	10	8	22	15.0	29.0	30	14	19	71	ET10LOMD	500	315	
	12	10	24	17.0	29.5	32	17	22	97	ET12LOMD	400	315	
	15	12	28	21.0	32.5	36	19	27	159	ET15LOMD	400	315	
	18	15	31	23.5	35.5	40	24	32	239	ET18LOMD	400	315	
	22	19	35	27.5	38.5	44	27	36	308	ET22LOMD	250	160	
	28	24	38	30.5	41.5	47	36	41	449	ET28LOMD	250	160	
	35	30	45	34.5	51.0	56	41	50	679	ET35LOMD	250	160	
	42	36	51	40.0	56.0	63	50	60	1131	ET42LOMD	250	160	
	S ⁴⁾	06	4	23	16.0	27.0	31	12	17	63	ET06SOMD	800	630
		08	5	24	17.0	27.5	32	14	19	79	ET08SOMD	800	630
		10	6	25	17.5	30.0	34	17	22	113	ET10SOMD	800	630
		12	8	29	21.5	31.0	38	17	24	136	ET12SOMD	630	630
14		9	30	22.0	35.0	40	19	27	173	ET14SOMD	630	630	
16		12	33	24.5	36.5	43	24	30	239	ET16SOMD	630	400	
20		16	37	26.5	44.5	48	27	36	388	ET20SOMD	420	400	
25		20	42	30.0	50.0	54	36	46	652	ET25SOMD	420	400	
30		25	49	35.5	55.0	62	41	50	905	ET30SOMD	420	400	
38		32	57	41.0	63.0	72	50	60	1462	ET38SOMD	420	315	

¹⁾ Pressure shown = item deliverable

³⁾ L = light series; ⁴⁾ S = heavy series

$\frac{PN \text{ (bar)}}{10} = PN \text{ (MPa)}$

Delivery without nut and ring. Information on ordering complete fittings or alternative sealing materials see page I7.

*Please add the **suffixes** below according to the material/surface required.

Order code suffixes			
Material	Suffix surface and material	Example	Standard sealing material (no additional suffix needed)
Steel, zinc plated, Cr(VI)-free	CF	ET16SOMDCF	NBR
Stainless Steel	71	ET16SOMD71	VIT