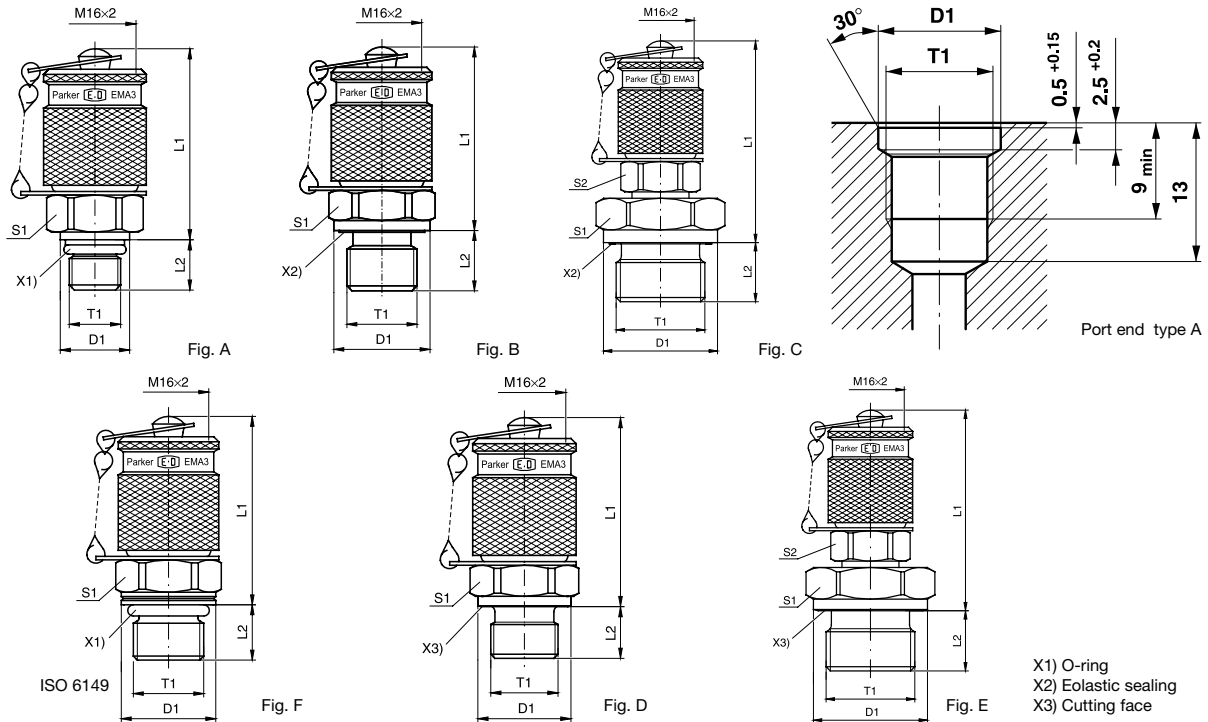


## Parker SensoControl® Test Points

### EMA3 Test Point with threaded connection M 16×2

Series 3

Male thread: BSP, metric



T1	D1	L1	L2	S1	S2	Fig.	Weight g/1 piece	Order code*	PN (bar) <sup>1)</sup>		DF**	
									CF	71	CF	71
M 08×1.0	9.5	38.5	7.5	17		A	66	<b>EMA3/8X10R</b>	250		4.0	
M 10×1.0	11.5	37.0	7.5	17		A	70	<b>EMA3/10X10R</b>	630	630	4.0	4
M 14×1.5	18.8	39.5	11.0	19		F	79	<b>EMA3/14X1.5ISO</b>	630	630	4.0	4
M 10×1.0	14.0	40.0	8.0	17		D	67	<b>EMA3/10X1</b>	400		4.0	
M 12×1.5	17.0	38.0	12.0	17		D	74	<b>EMA3/12X1.5</b>	400		4.0	
M 14×1.5	19.0	39.0	12.0	19		D	78	<b>EMA3/14X1.5</b>	400		4.0	
M 16×1.5	21.0	40.0	12.0	22		D	90	<b>EMA3/16X1.5</b>	400		4.0	
G 1/8	14.0	37.5	8.0	17		D	70	<b>EMA3/1/8</b>	400		4.0	
G 1/4	18.0	39.0	12.0	19		D	77	<b>EMA3/1/4</b>	400		4.0	
G 3/8	22.0	40.5	12.0	22		D	91	<b>EMA3/3/8</b>	400		4.0	
G 1/2	26.0	46.0	14.0	27	17	E	137	<b>EMA3/1/2</b>	400		3.4	
G 1/8	14.0	37.5	8.0	17		B	72	<b>EMA3/1/8ED</b>	400	400	4.0	4
G 1/4	19.0	39.0	12.0	19		B	76	<b>EMA3/1/4ED***</b>	630	630	4.0	4
G 3/8	22.0	40.5	12.0	22		B	93	<b>EMA3/3/8ED</b>	630	630	4.0	4
M 10×1.0	14.0	40.0	8.0	17		B	71	<b>EMA3/10X1ED</b>	400	400	4.0	4
M 12×1.5	17.0	38.0	12.0	17		B	72	<b>EMA3/12X1.5ED</b>	630	630	4.0	4
M 14×1.5	19.0	39.0	12.0	19		B	77	<b>EMA3/14X1.5ED</b>	400	400	4.0	4
G 1/2	27.0	46.0	14.0	27	17	C	135	<b>EMA3/1/2ED</b>	400	400	4.0	4

\*\*DF = Design Factor

\*\*\*in 316L

<sup>1)</sup>Pressure shown = item deliverable

PN (bar) = PN (MPa)  
10

\*Please add the **suffixes**  
below according to the material/  
surface required.

Order code suffixes			
Material	Suffix surface and material	Example	Standard sealing material (no additional suffix needed)
Steel, zinc plated, Cr(VI)-free	CF	EMA3/10X10ORCF	NBR
Stainless Steel	71	EMA3/10X10OR71	VIT
Stainless Steel	316L	EMA3/1/4ED316L	NBR

