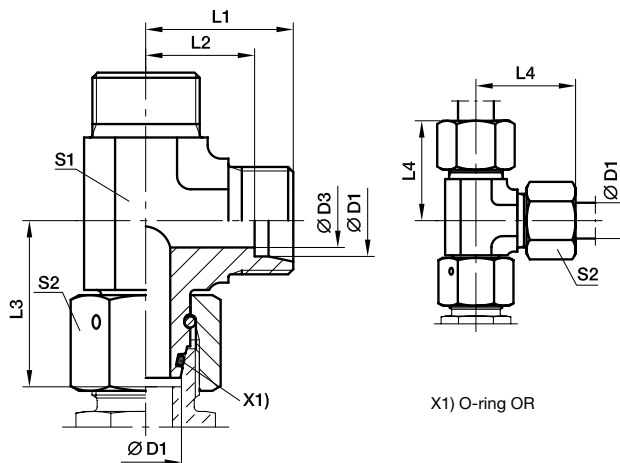




EL Swivel nut run tee

EO 24° cone end / EO 24° DKO swivel



Series	D1	D3	L1	L2	L3	L4	S1	S2	Weight g/1 piece	Order code*	PN (bar) ¹⁾		
											CF	71	
L ³⁾	06	4	19	12.0	26.0	27	12	14	44	EL06LOMD	500	315	
	08	6	21	14.0	27.5	29	12	17	53	EL08LOMD	500	315	
	10	8	22	15.0	29.0	30	14	19	68	EL10LOMD	500	315	
	12	10	24	17.0	29.5	32	17	22	95	EL12LOMD	400	315	
	15	12	28	21.0	32.5	36	19	27	151	EL15LOMD	400	315	
	18	15	31	23.5	35.5	40	24	32	233	EL18LOMD	400	315	
	22	19	35	27.5	38.5	44	27	36	309	EL22LOMD	250	160	
	28	24	38	30.5	41.5	47	36	41	436	EL28LOMD	250	160	
	35	30	45	34.5	51.0	56	41	50	666	EL35LOMD	250	160	
	42	36	51	40.0	56.0	63	50	60	1163	EL42LOMD	250	160	
	S ⁴⁾	06	4	23	16.0	27.0	31	12	17	65	EL06SOMD	800	630
		08	5	24	17.0	27.5	32	14	19	84	EL08SOMD	800	630
		10	6	25	17.5	30.0	34	17	22	118	EL10SOMD	800	630
		12	8	29	21.5	31.0	38	17	24	136	EL12SOMD	630	630
14		9	30	22.0	35.0	40	19	27	173	EL14SOMD	630	630	
16		12	33	24.5	36.5	43	24	30	260	EL16SOMD	630	400	
20		16	37	26.5	44.5	48	27	36	375	EL20SOMD	420	400	
25		20	42	30.0	50.0	54	36	46	655	EL25SOMD	420	400	
30		25	49	35.5	55.0	62	41	50	906	EL30SOMD	420	400	
38		32	57	41.0	63.0	72	50	60	1472	EL38SOMD	420	315	

¹⁾ Pressure shown = item deliverable

³⁾ L = light series; ⁴⁾ S = heavy series

PN (bar) = PN (MPa)
10

Delivery without nut and ring. Information on ordering complete fittings or alternative sealing materials see page I7.

*Please add the **suffixes** below according to the material/surface required.

Order code suffixes			
Material	Suffix surface and material	Example	Standard sealing material (no additional suffix needed)
Steel, zinc plated, Cr(VI)-free	CF	EL16SOMDCF	NBR
Stainless Steel	71	EL16SOMD71	VIT

