



Shut off valves

DV Shut-off valve PN 10 – Casing DIN 3512

EO 24° cone end / EO 24° cone end

(with internal threaded spindle)

For cold and warm water* up to 80°C, compressed air, mineral oils and fuel oils types EL and L, 6 bar and up to 80°C.

The pressure specification PN for hand-operated

shut-off valves applies to the design

factor 1,5 (according DIN 3230 T5

and ISO 5208).

Caution!

Please note the admissible pressure ratings for the EO-tube ends.

DVAE

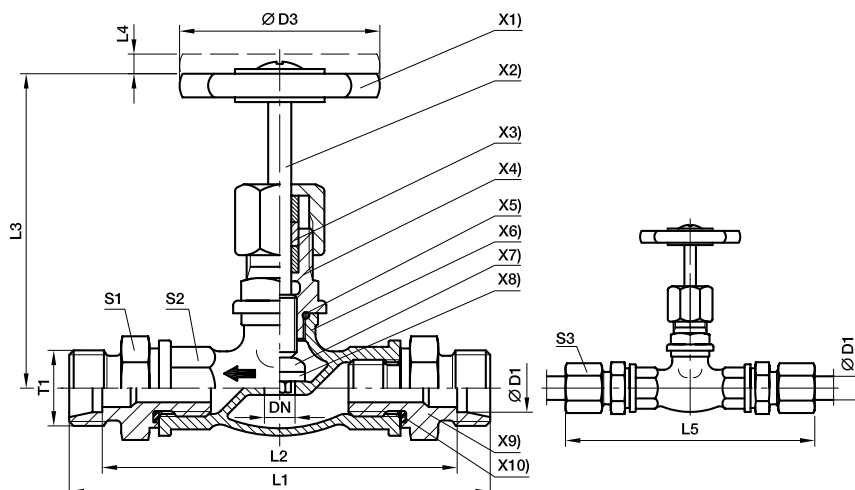
EO tube end ♂ male BSPP

DVAA

male BSPP ♂ EO tube end

DV-valves with male BSPP thread on request.

*Indicate type of water or additive if any



- X1) **Hand wheel:** material: Polyamid
- X2) **Spindle:** material: Brass 2.0401
- X3) **Stuffing boxpacking:** PTFE Compound
- X4) **Haed piece:** material: Brass 2.0401
- X5) **Sealing:** O-ring NBR (e.g. Perbunan)
- X6) **Casing:** material: Brass 2.0340.02
- X7) **Valve cone:** material: Brass 2.0401
- X8) **Shut-off sealing:** NBR (e.g. Perbunan)
- X9) **Male stud fitting:** material: Brass 2.0540
- X10) **Sealing:** Eolastic-sealing NBR (e.g. Perbunan)

| Series | D1 | T1 | DN | D3 | L1 | L2 | L3 | L4 | L5 | S1 | S2 | S3 | Weight g/1 piece | Order code* | PN (bar) ¹⁾ without surface |
|-----------------|----|----------|----|----|-----|-----|-----|----|-----|----|----|----|---------------------|---------------|--|
| L ³⁾ | 06 | M 12x1.5 | 5 | 50 | 102 | 88 | 63 | 7 | 117 | 22 | 21 | 14 | 313 | DV06LX | 10 |
| | 08 | M 14x1.5 | 6 | 50 | 102 | 88 | 63 | 7 | 117 | 22 | 21 | 17 | 305 | DV08LX | 10 |
| | 10 | M 16x1.5 | 8 | 50 | 104 | 90 | 63 | 7 | 119 | 22 | 21 | 19 | 308 | DV10LX | 10 |
| | 12 | M 18x1.5 | 10 | 50 | 104 | 90 | 63 | 7 | 119 | 22 | 21 | 22 | 304 | DV12LX | 10 |
| | 15 | M 22x1.5 | 12 | 50 | 107 | 93 | 65 | 8 | 123 | 27 | 25 | 27 | 426 | DV15LX | 10 |
| | 18 | M 26x1.5 | 16 | 50 | 109 | 94 | 67 | 8 | 126 | 27 | 25 | 32 | 434 | DV18LX | 10 |
| | 22 | M 30x2.0 | 20 | 60 | 123 | 108 | 67 | 8 | 140 | 32 | 32 | 36 | 670 | DV22LX | 10 |
| | 28 | M 36x2.0 | 25 | 60 | 140 | 125 | 95 | 10 | 158 | 41 | 38 | 41 | 1030 | DV28LX | 10 |
| | 35 | M 45x2.0 | 32 | 70 | 166 | 145 | 102 | 10 | 188 | 50 | 47 | 50 | 1640 | DV35LX | 10 |

¹⁾ Pressure shown = item deliverable

³⁾ L = light series

$\frac{PN \text{ (bar)}}{10} = PN \text{ (MPa)}$

Delivery without nut and ring. Information on ordering complete fittings or alternative sealing materials see page 17.

*Please add the **suffixes** below according to the material/surface required.

| Order code suffixes | | | |
|---------------------|-----------------------------|---------|---|
| Material | Suffix surface and material | Example | Standard sealing material (no additional suffix needed) |
| Brass 2.0340.02 | without | DV06LX | PTFE / NBR |

