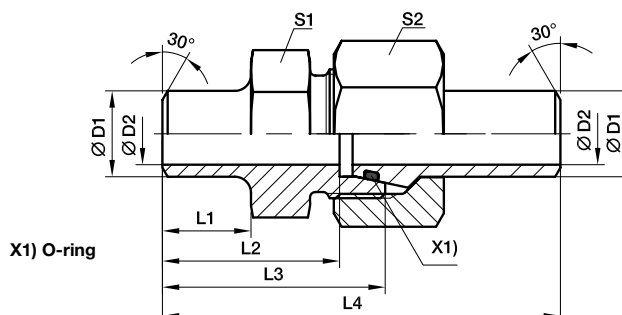




## Weld fittings

### ASK Weld fitting for tubes

Butt weld / Butt weld



Series	D1 	D2	L1	L2	L3	L4	S1	S2	recommended tube	Weight g/1 piece	Order code	PN (bar) <sup>1)</sup>	
												Steel	Stainless Steel
S <sup>4)</sup>	10	8	10.0	24.5	32.0	58.0	19	22	10×1.0	75	ASK610X1S	249	242
	10	7	10.0	24.5	32.0	58.0	19	22	10×1.5	81	ASK610X1.5S	358	349
	10	6	10.0	24.5	32.0	58.0	19	22	10×2.0	86	ASK610X2S	460	447
	12	9	15.0	29.5	37.0	63.0	22	24	12×1.5	106	ASK612X1.5S	305	297
	12	8	15.0	29.5	37.0	63.0	22	24	12×2.0	107	ASK612X2S	393	383
	12	7	15.0	29.5	37.0	63.0	22	24	12×2.5	109	ASK612X2.5S	476	463
	16	13	16.5	33.0	41.5	73.5	27	30	16×1.5	166	ASK616X1.5S	234	228
	16	12	16.5	33.0	41.5	73.5	27	30	16×2.0	175	ASK616X2S	305	297
	16	11	16.5	33.0	41.5	73.5	27	30	16×2.5	184	ASK616X2.5S	372	362
	16	10	16.5	33.0	41.5	73.5	27	30	16×3.0	193	ASK616X3S	400	400
	20	16	19.0	36.5	47.0	83.5	32	36	20×2.0	301	ASK620X2S	249	242
	20	15	19.0	36.5	47.0	83.5	32	36	20×2.5	311	ASK620X2.5S	305	297
	20	14	19.0	36.5	47.0	83.5	32	36	20×3.0	316	ASK620X3S	358	349
	20	12	19.0	36.5	47.0	83.5	32	36	20×4.0	322	ASK620X4S	400	400
	25	19	19.5	39.5	51.5	92.5	41	46	25×3.0	551	ASK625X3S	294	286
	25	17	19.5	39.5	51.5	92.5	41	46	25×4.0	559	ASK625X4S	379	369
	25	15	19.5	39.5	51.5	92.5	41	46	25×5.0	589	ASK625X5S	400	400
	30	24	23.0	44.5	58.0	101.5	46	50	30×3.0	671	ASK630X3S	249	242
	30	22	23.0	44.5	58.0	101.5	46	50	30×4.0	679	ASK630X4S	323	314
	30	20	23.0	44.5	58.0	101.5	46	50	30×5.0	726	ASK630X5S	393	383
	30	18	23.0	44.5	58.0	101.5	46	50	30×6.0	791	ASK630X6S	400	400
	38	30	22.0	44.0	60.0	108.0	55	60	38×4.0	988	ASK638X4S	261	254
	38	28	22.0	44.0	60.0	108.0	55	60	38×5.0	1044	ASK638X5S	315	311
	38	26	22.0	44.0	60.0	108.0	55	60	38×6.0	1108	ASK638X6S	315	315
38	24	22.0	44.0	60.0	108.0	55	60	38×7.0	1205	ASK638X7S	315	315	

<sup>1)</sup> Pressure shown = item deliverable

<sup>4)</sup> S = heavy series

$\frac{PN \text{ (bar)}}{10} = PN \text{ (MPa)}$



\*Please add the **suffixes** below according to the material/surface required.

Order code suffixes			
Material	Suffix surface and material	Example	Standard sealing material (no additional suffix needed)
Steel		ASK616X2S	NBR
Stainless Steel	71	ASK616X2S71	VIT

