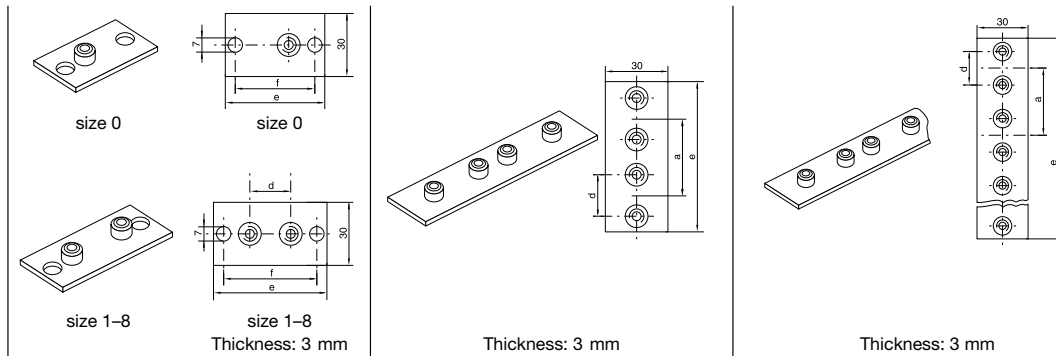


Tube clamps

Tube clamps series A (Light construction series) – Components

DIN 3015, part 1



clamp size	weld/screw plate, long			twin welding plate			multiple weld plate					
	APL A... Order code	dimensions:			APD A... Order code	dimensions:			APR A... Order code	dimensions:		
		d	e	f		d	a	e		d	a	e
0	APLA0X	–	58	44	APDA0X	–	30	61	APRA0X (10 clamps)	–	30	298
1	APLA1X	20	64	50	APDA1X	20	35	69	APRA1X (10 clamps)	20	35	349
2	APLA2X	26	70	56	APDA2X	26	43	86	APRA2X (10 clamps)	26	43	427
3	APLA3X	33	78	64	APDA3X	33	52	104	APRA3X (10 clamps)	33	52	516
4	APLA4X	40	87	73	APDA4X	40	60	117	APRA4X (5 clamps)	40	60	297
5	APLA5X	52	100	86	APDA5X	52	75	145	APRA5X (5 clamps)	52	75	370
6	APLA6X	66	116	100	APDA6X	66	90	176	APRA6X (5 clamps)	66	90	446
7	APLA7X	94	150	136								
8	APLA8X	120	178	162								

Metal parts also available in stainless steel.