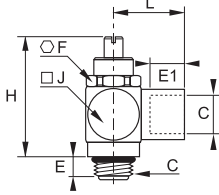


Stainless Steel Flow Control Regulators

7810 Flow Regulator Exhaust, Male/Female BSPP and Metric Thread



Stainless steel 316L, FKM



C		E	E1	F	H min	H max	J	L	kg
M5x0.8	7810 19 19	4	4	8	22	26	9	11	0.011
G1/8	7810 10 10	6	8	13	32	38	15	17	0.039
G1/4	7810 13 13	9	12	17	35	40	18	24	0.072
G3/8	7810 17 17	8	12	20	43	53	22	27	0.125
G1/2	7810 21 21	9	15	23	60	71	28	31	0.261

Flow Control Regulators

Function Fittings

You will also find our range of stainless steel push-in fittings, compression fittings, valves and accessories in this catalogue.

Stainless Steel Flow Control Regulators

Stainless steel flow control regulators are used to **regulate the speed of a cylinder rod** as well as gas flow in environments with high mechanical or chemical constraints.

Product Advantages

Robust | Suitable for corrosive environments
 Excellent mechanical and chemical resistance
 100% leak-tested in production
 No contamination of conveyed fluids

Optimised Design | Smooth external surfaces to facilitate cleaning
 Fully compatible with food environments
 Accurate and easy adjustment

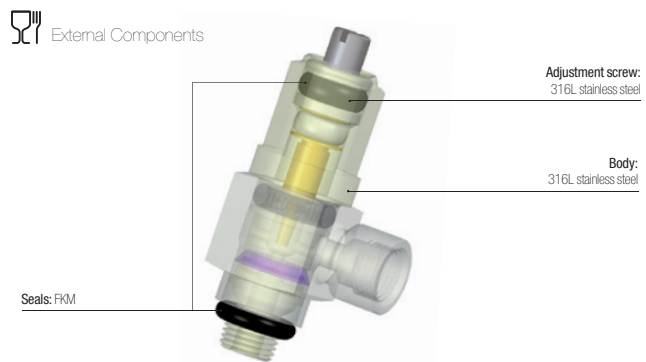
Applications

Food Process
 Robotics
 Textile
 Semi-Conductors
 Packaging
 Pneumatics
 Automotive Process

Technical Characteristics

Compatible Fluids	Compressed air 7822: all compatible fluids depending on whether FKM or PTFE seals are used
Working Pressure	7810-7812: 1 to 10 bar 7820: 1 to 16 bar 7822: 1 to 40 bar
Working Temperature	7810 – 7812: 0°C to +70°C 7820 – 7822: -15° to +120°C

Component Materials

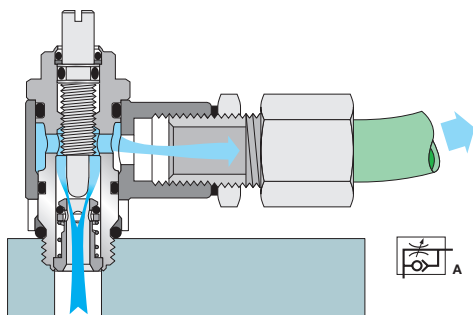


Regulations

DI: 2002/95/EC (RoHS)
 RG: 1907/2006 (REACH)
 DI: 97/23/EC (PED)
 RG: External Components: 21CFR (FDA)
 RG: External Components: 1935/2004/EC

Operation

Exhaust Model with External Adjustment



Bi-Directional Model with External Adjustment

