
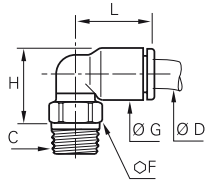


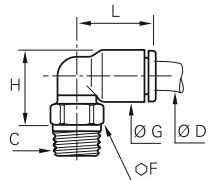




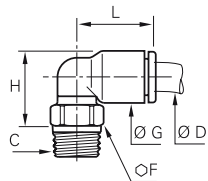


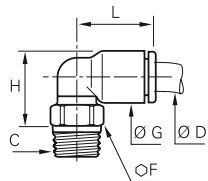

# Stud Fittings

## 3109 Stud Elbow, Male BSPT Thread

	<p>Technical polymer, nickel-plated brass, NBR</p> 		<b>ØD</b>	<b>C</b>	<b>F</b>	<b>G</b>	<b>H</b>	<b>L</b>	<b>kg</b>
	<p>Technical polymer, nickel-plated brass, NBR</p> 		4	R1/8 <a href="#">3109 04 10</a>	10	8.5	13.5	14	0.006
				R1/4 <a href="#">3109 04 13</a>	14	8.5	14	14	0.015
				R3/8 <a href="#">3109 04 17</a>	17	8.5	13.5	14	0.018
			6	R1/8 <a href="#">3109 06 10</a>	10	10.5	15.5	16	0.006
				R1/4 <a href="#">3109 06 13</a>	14	10.5	16	16	0.015
				R3/8 <a href="#">3109 06 17</a>	17	10.5	16	16	0.019
			8	R1/2 <a href="#">3109 06 21</a>	21	10.5	16.5	16	0.034
				R1/8 <a href="#">3109 08 10</a>	10	13.5	19	23	0.007
				R1/4 <a href="#">3109 08 13</a>	14	13.5	18	23	0.014
				R3/8 <a href="#">3109 08 17</a>	17	13.5	18	23	0.018
			10	R1/2 <a href="#">3109 08 21</a>	21	13.5	19.5	23	0.033
				R1/8 <a href="#">3109 10 10</a>	15	16	23	26.5	0.012
R1/4 <a href="#">3109 10 13</a>	15	16		22	26.5	0.014			
R3/8 <a href="#">3109 10 17</a>	17	16		22	26.5	0.019			
R1/2 <a href="#">3109 10 21</a>	21	16		22	26.5	0.031			
12	R1/4 <a href="#">3109 12 13</a>	15	19	25	31	0.016			
	R3/8 <a href="#">3109 12 17</a>	17	19	25	31	0.022			
	R1/2 <a href="#">3109 12 21</a>	21	19	25	31	0.033			
14	R3/8 <a href="#">3109 14 17</a>	20	22	30.5	35.5	0.031			
	R1/2 <a href="#">3109 14 21</a>	24	22	28.5	35.5	0.041			
16	R3/8 <a href="#">3109 16 17</a>	27	27	53	39	0.106			
	R1/2 <a href="#">3109 16 21</a>	27	27	53	39	0.104			

Pre-coated thread  
The body swivels for positioning purposes.

## 3109 Stud Elbow, Male NPT Thread

	<p>Technical polymer, nickel-plated brass, NBR</p> 		<b>ØD</b>	<b>C</b>	<b>F</b>	<b>G</b>	<b>H</b>	<b>L</b>	<b>kg</b>
	<p>Technical polymer, nickel-plated brass, NBR</p> 		4	NPT1/8 <a href="#">3109 04 11</a>	11	8.4	13.5	14	0.007
				NPT1/4 <a href="#">3109 04 14</a>	14	8.4	14	14	0.016
			6	NPT1/8 <a href="#">3109 06 11</a>	11	10.5	15.5	16	0.007
				NPT1/4 <a href="#">3109 06 14</a>	14	10.5	16	16	0.017
			8	NPT1/8 <a href="#">3109 08 11</a>	11	13.5	19	23.1	0.009
				NPT1/4 <a href="#">3109 08 14</a>	14	13.5	18	23.1	0.015
			10	NPT1/4 <a href="#">3109 10 14</a>	15	16	23	26.5	0.017
				NPT3/8 <a href="#">3109 10 18</a>	18	16	22	26.5	0.024
				NPT1/2 <a href="#">3109 10 22</a>	22	16	23	26.5	0.045
			12	NPT3/8 <a href="#">3109 12 18</a>	18	19	25	31	0.050
				NPT1/2 <a href="#">3109 12 22</a>	22	19	26	31	0.092

Pre-coated thread  
The body swivels for positioning purposes.

# Stud Fittings

## 3109 Stud Elbow, Male NPT Thread

Inch

	Technical polymer, nickel-plated brass, NBR 	<b>ØD</b> <b>C</b>	<b>F</b>	<b>G</b>	<b>H</b>	<b>L</b>	<b>kg</b>
1/8		NPT1/8 <b>3109 53 11</b>	11	8.5	13.5	14.5	0.007
		NPT1/4 <b>3109 53 14</b>	14	8.5	14	14.5	0.015
1/4		NPT1/8 <b>3109 56 11</b>	11	10.9	17	18	0.007
		NPT1/4 <b>3109 56 14</b>	14	10.9	16	18	0.014
3/8		NPT3/8 <b>3109 56 18</b>	18	10.9	16.5	18	0.021
		NPT1/8 <b>3109 60 11</b>	15	16	23.1	27.4	0.014
1/2		NPT1/4 <b>3109 60 14</b>	15	16	23.1	27.4	0.017
		NPT3/8 <b>3109 60 18</b>	18	16	22.1	27.4	0.023
		NPT3/8 <b>3109 62 18</b>	20	22.1	31	35.1	0.041
		NPT1/2 <b>3109 62 22</b>	24	22.1	28.4	35.1	0.054

Pre-coated thread - 5/32" (4 mm) and 5/16" (8 mm) are also available.  
The body swivels for positioning purposes.

## 3109 Stud Elbow, Male BSPT Thread

Inch

	Technical polymer, nickel-plated brass, NBR 	<b>ØD</b> <b>C</b>	<b>F</b>	<b>G</b>	<b>H</b>	<b>L</b>	<b>kg</b>
1/8		R1/8 <b>3109 53 10</b>	10	8.5	13.5	14.5	0.011
		R1/8 <b>3109 55 10</b>	11	10.9	17	21.6	0.010
3/16		R1/4 <b>3109 55 13</b>	14	8.4	14	14	0.016
		R1/8 <b>3109 56 10</b>	10	10.9	17	18	0.006
1/4		R1/4 <b>3109 56 13</b>	14	10.9	17	18	0.013
		R1/4 <b>3109 60 13</b>	15	16	22.1	26.4	0.016
3/8		R3/8 <b>3109 60 17</b>	17	16	22.1	26.4	0.054
		R1/4 <b>3109 62 13</b>	20	22.1	31	35.1	0.064
1/2		R3/8 <b>3109 62 17</b>	20	22.1	31	35.1	0.067
		R1/2 <b>3109 62 21</b>	24	22.1	28.4	35.1	0.046

Pre-coated thread  
The body swivels for positioning purposes.  
5/32" (4 mm) and 5/16" (8 mm) are also available.