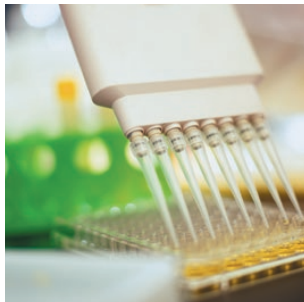


aerospace
climate control
electromechanical
filtration
fluid & gas handling
hydraulics
pneumatics
process control
sealing & shielding



MX - Miniature Positioners

Miniature Precision Axis



ENGINEERING YOUR SUCCESS.



WARNING – USER RESPONSIBILITY

FAILURE OR IMPROPER SELECTION OR IMPROPER USE OF THE PRODUCTS DESCRIBED HEREIN OR RELATED ITEMS CAN CAUSE DEATH, PERSONAL INJURY AND PROPERTY DAMAGE.

- This document and other information from Parker-Hannifin Corporation, its subsidiaries and authorized distributors provide product or system options for further investigation by users having technical expertise.
- The user, through its own analysis and testing, is solely responsible for making the final selection of the system and components and assuring that all performance, endurance, maintenance, safety and warning requirements of the application are met. The user must analyze all aspects of the application, follow applicable industry standards, and follow the information concerning the product in the current product catalog and in any other materials provided from Parker or its subsidiaries or authorized distributors.
- To the extent that Parker or its subsidiaries or authorized distributors provide component or system options based upon data or specifications provided by the user, the user is responsible for determining that such data and specifications are suitable and sufficient for all applications and reasonably foreseeable uses of the components or systems.

Miniature Positioners - MX Series

Overview	5
MX45S - Ballscrew and Leadscrew Driven Stages	7
Technical Characteristics	9
Diagram: Force - Speed	10
Performance Loading	10
Dimensions	11
MX80S - Ballscrew and Leadscrew Driven Stages	13
Technical Characteristics	15
Dimensions	16
MX80L - Linear Motor Driven Stages	17
Technical Characteristics	19
Diagram: Force - Speed	20
Diagram: Distance vs Time	20
Diagram: Life - Load (Normal Load)	20
Diagram: Velocity Ripple	20
Dimensions	21
MX80M - Free Travel and Micrometer Driven Stages	22
Technical Characteristics	22
Dimensions	23
Options and Accessories	24
Encoder Option	24
Home and Limit Sensor Option	24
Cable Option "Plug & Play" (MX80)	24
Motor Mounting Options	24
Environmental Protection Option (MX80)	25
Z-Axis Counterbalance Option (MX80L)	25
Pneumatic Package (MX80L)	25
System Orthogonality Option (MX80)	25
Mounting Bracket Kit Option (MX45S)	26
Z-Axis Bracket (MX80)	27
Digital Drives - Simple Configuration	28
Order Code	29
MX45S	29
MX80S	30
MX80L	31
MX80M	32

Parker Hannifin

The global leader in motion and control technologies

A world class player on a local stage

Global Product Design

Parker Hannifin has more than 40 years experience in the design and manufacturing of drives, controls, motors and mechanical products. With dedicated global product development teams, Parker draws on industry-leading technological leadership and experience from engineering teams in Europe, North America and Asia.

Local Application Expertise

Parker has local engineering resources committed to adapting and applying our current products and technologies to best fit our customers' needs.

Manufacturing to Meet Our Customers' Needs

Parker is committed to meeting the increasing service demands that our customers require to succeed in the global industrial market. Parker's manufacturing teams seek continuous improvement through the implementation of lean manufacturing methods throughout the process. We measure ourselves on meeting our customers' expectations of quality and delivery, not just our own. In order to meet these expectations, Parker operates and continues to invest in our manufacturing facilities in Europe, North America and Asia.

Electromechanical Worldwide Manufacturing Locations

Europe

Littlehampton, United Kingdom
Dijon, France
Offenburg, Germany
Filderstadt, Germany
Milan, Italy

Asia

Wuxi, China
Jangan, Korea
Chennai, India

North America

Rohnert Park, California
Irwin, Pennsylvania
Charlotte, North Carolina
New Ulm, Minnesota



Offenburg, Germany

Local Manufacturing and Support in Europe

Parker provides sales assistance and local technical support through a network of dedicated sales teams and authorized technical distributors throughout Europe.

For contact information, please refer to the Sales Offices on the back cover of this document or visit www.parker.com



Milan, Italy



Littlehampton, UK



Filderstadt, Germany



Dijon, France

Miniature Positioners - MX Series

Overview

Description

Life science applications are a good example of how miniaturization has driven the need for smaller and more efficient positioners. Parker's MX series miniature positioner, the smallest positioner in the industry, is loaded with high-performance features for both rapid travel and precise positioning of lighter loads in small work envelopes.

Designed for today's 24/7 production demands, the MX series has redefined "high-throughput automation" in the world of miniature positioners



Typical areas of application

- Fiber optics
- Photonics
- Electronics and biomedical processes

Features

- Low profile miniature size
- Different technologies available:
 - Ballscrew and leadscrew driven stages: MX45S, MX80S
 - Linear servo motor driven stages: MX80L
 - Free travel and micrometer driven stages: MX80M
- Cross roller bearing (zero cage creep option)
- Optional encoder
- Optional digital limit/home sensors
- Optional cleanroom and low ESD preparation
- Multi-axis platform

Technical Characteristics - Overview

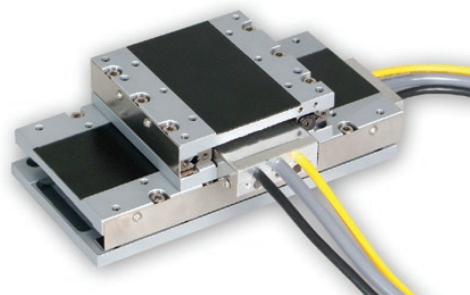
	Type: Miniature Positioners			
	MX45S	MX80S	MX80L	MX80M
Technology	screw driven		linear motor driven	manual driven
Frame size height/width [mm]	25x45 mm	35x80 mm	25x80 mm	25x80 mm
Travel [mm]	5, 15, 25	25, 50, 100, 150	25, 50, 100, 150, 200	25, 50
Max. Speed [mm/s]	20...2000			
Nominal Load [kg]	7	8	8	20
Repeatability [µm]	±1... ±8	±1.5... ±10	±0.4... ±10	-

Miniature Positioners - MX Series Overview

High performance in a small package

While the MX series is small in size, it is large on performance and reliability. All key components are "built-in" - residing within the body of the stage to provide a clean looking, reliable, unobstructed package. At the heart of the MX series is an innovative non-contact linear servo motor (patent pending). This MX series has been optimized for force, speed, and acceleration, to deliver outstanding performance and response.

A high-precision non-contact encoder provides submicrometer resolution, repeatability and accuracy. Precision ground cross roller bearing sets with a zero cage creep feature provide extremely smooth, precise linear translation. Digital Hall effect travel limit and home sensors are conveniently designed into the unit for easy adjustment over the entire travel of the stage. Although there are no moving cables, a meter of high-flex cabling is included and wired directly into the units. This high-flex cabling addresses cable flexing concerns associated with the second or third axis in multi-axis systems.



Zero cage creep feature

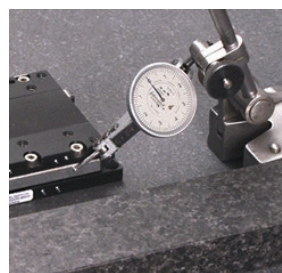
High acceleration and smooth travel are both key features of the MX Series stage. The cross roller bearing system found in the MX series provides extremely smooth linear travel, and with an anti-cage creep design, operates very well in high acceleration applications. This design employs a rack and pinion feature within the bearing races to eliminate bearing creep. As a result, the MX series performs well, even at 49 m/s² acceleration.



Tooling features

Innovative tooling features make mounting and alignment much quicker and easier.

- A hardened steel master reference surface is provided along the side of the stage to allow fixturing or other tooling elements to be precisely aligned with the actual travel path.
- Two dowel pin holes are provided on the carriage top and base for repeatable mounting of positioner or tooling.



MX45S - Ballscrew and Leadscrew Driven Stages

Description

Designed with anti-cage creep crossed roller bearings, the MX45S allows users to position up to 7 kg of normal load on the stage's three standard travel lengths (5, 15 & 25 mm).

The MX45S can be supplied with a high efficiency leadscrew or a high precision ground ballscrew, both of which are capable of producing 40 N of thrust and reaching linear velocities of 20 and 30 mm/s respectively.

The leadscrew drive employs a PTFE-coated screw with a preloaded nut to deliver extremely smooth and quiet linear motion. A choice of two leads allows the user to match the desired mix of velocity and resolution in order to best match the application's requirements.

The ballscrew drive is available in a 1 mm lead offering the user 3 μm bi-directional repeatability and 24/7 operation (100 % duty cycle).

Features

- Ultra compact profile (35 mm high x 80 mm wide)
- Travels: 5, 15 and 25 mm
- Ballscrew or leadscrew drive options
- Anti-cage creep crossed roller bearings
- Axial thrust: up to 40 N
- Max velocity: 30 mm/s
- Stepper motor driven
- Digital limit/home sensor pack (option)
- Rotary or linear encoders (option)
- Multi-axis platforms
- Ideal for normal or cleanroom environments



Leadscrew drive



Ballscrew drive

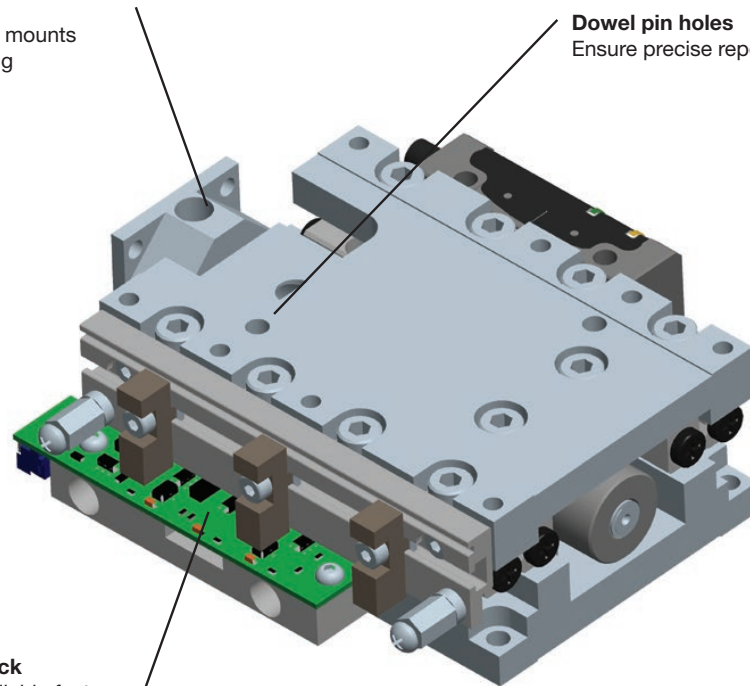
Product Design

Motor mount

NEMA 8 stepper motor mounts directly to stage housing

Dowel pin holes

Ensure precise repeatable mounting

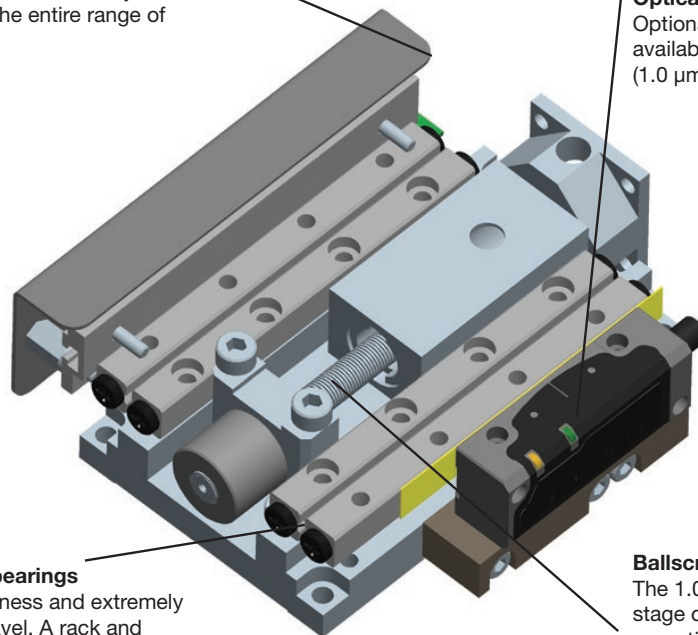


Home/limit sensor pack

This optional field installable feature consists of three NPN or PNP switches, each of which is fully adjustable over the entire range of travel

Optical linear encoders

Optional field installed feature is available in three standard resolutions (1.0 μm , 0.1 μm and sine output)



Crossed roller bearings

provide high stiffness and extremely smooth linear travel. A rack and pinion anti-cage creep design within the bearing races prevents cage creep even at high acceleration, or with cantilevered loads

Ballscrew or leadscrew drive

The 1.0 mm lead ballscrew driven stage offers high performance 24/7 operation with a thrust load capacity of 40 N and velocity to 30 mm/s. The leadscrew driven stages are available with 0.5 or 1.0 mm leads. The PTFE coated leadscrew provides extremely smooth linear travel at velocities of 20 mm/s

Technical Characteristics

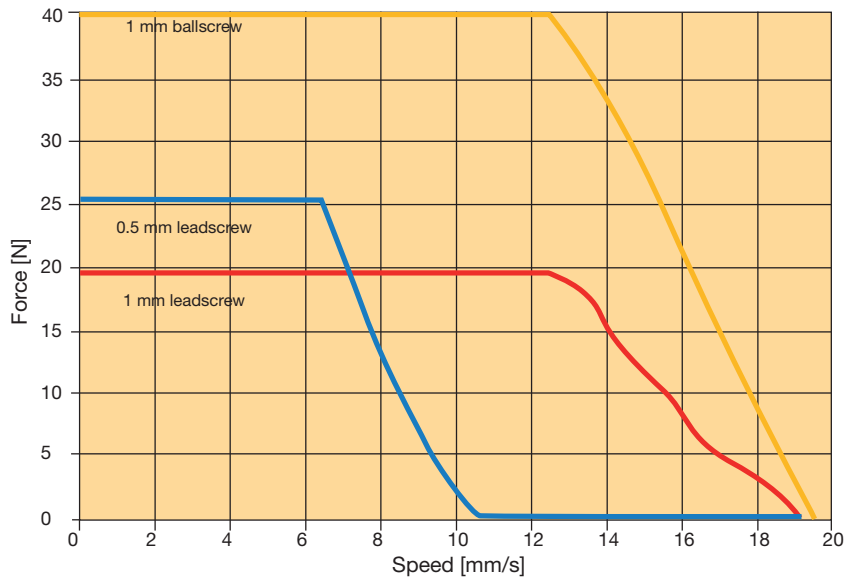
		Unit	MX45S Leadscrew Drive (Standard)			MX45S Ballscrew Drive (Precision)		
			T01	T02	T03	T01	T02	T03
Travel ⁽¹⁾		[mm]	5	15	25	5	15	25
Nominal load		[kg]	5	5	7	5	5	7
Thrust Load		[N]	40			40		
Maximum velocity ⁽²⁾	0.5 mm lead	[mm/s]	10			-		
	1.0 mm lead		20			30		
Acceleration/deceleration		[m/s ²]	20			20		
Running torque		[Nm]	0.011			0.011		
Duty cycle		[%]	50			100		
Straightness & flatness ⁽³⁾		[μm]	3	5	8	3	5	8
Positional accuracy ⁽⁴⁾	with 2000 count rotary encoder	[μm]	10	18	30	8	12	15
	with 1 or 0.1 μm linear encoder		6	10	12	6	10	12
Bidirectional repeatability ^{(4), (5)}	with 2000 count rotary encoder	[μm]	±8			±3		
	with 1 μm linear encoder		±4			±2		
	with 0.1 μm linear encoder		±2			±1		
Input inertia (without motor)	0.5 mm lead	[10 ⁻⁸ kgm ²]	2.37	2.76	3.14	-	-	-
	1.0 mm lead		2.58	2.96	3.35	1.41	1.6	1.79
Screw speed (max)		[min ⁻¹]	1200			1800		
Screw diameter		[mm]	4.7			4.0		
Screw efficiency	0.5 mm lead	[%]	30			-		
	1.0 mm lead		47			90		
Bearing friction coefficient		-	0.003			0.003		
Unit weight	Stage only	[kg]	0.177	0.200	0.238	0.182	0.205	0.243
	Carriage Only		0.070	0.082	0.100	0.073	0.084	0.104
Additional mass of motors&options	NEMA 8 stepper ⁽⁶⁾	[kg]	0.095			0.095		
	Linear encoder option ⁽⁷⁾		0.016			0.016		
	Limit option sensor board ⁽⁷⁾		0.005			0.005		

Notes:

- (1) Travel is in the direction of the motor mount only.
- (2) See speed/force curve for performance with Parker motor.
- (3) Measured at the carriage center, 35 mm above the mounting surface @20 °C with no load. Unit bolted to granite surface, flat within 1 μm/300 mm.
- (4) Total accuracy and bi-directional repeatability over full travel (peak to peak) (with 0.5 or 1 mm leadscrew).
- (5) Repeatability valid with NEMA 8 stepper motor and encoder noted.
- (6) Includes rotary encoder (part of base)
- (7) Part of base

Diagram: Force - Speed

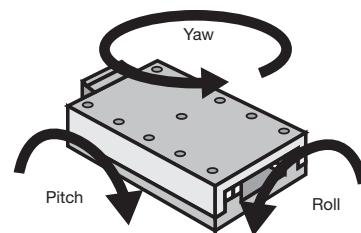
MX45S with Parker NEMA 8 stepper motor



Performance Loading

Performance loading with 2540 km life time

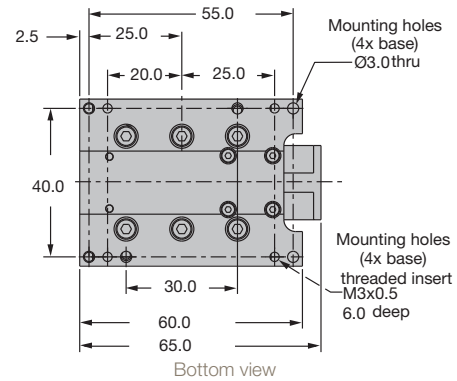
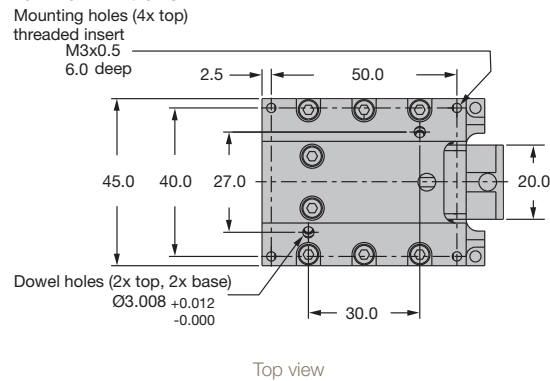
	Unit	
Normal load capacity		
5 mm travel	[kg]	5.0
15 mm travel		5.0
25 mm travel		7.0
Pitch & yaw moment loading		
25 mm lever arm	[kg]	1.0
50 mm lever arm		0.6
75 mm lever arm		0.5
100 mm lever arm		0.4
Roll moment loading		
25 mm lever arm	[kg]	2.0
50 mm lever arm		1.2
75 mm lever arm		0.9
100 mm lever arm		0.7



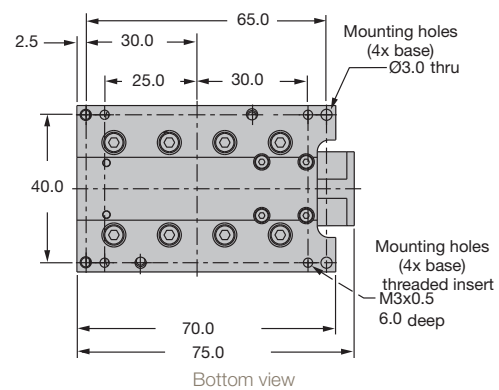
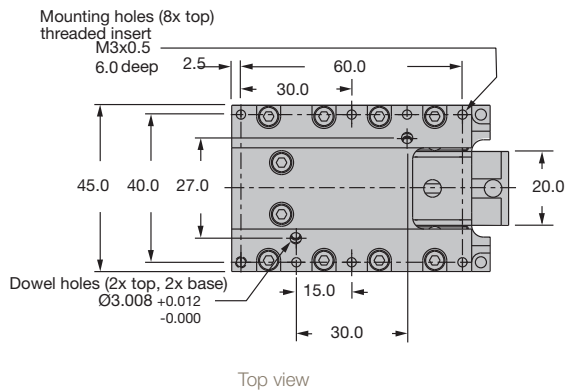
Dimensions

Dimensions [mm]

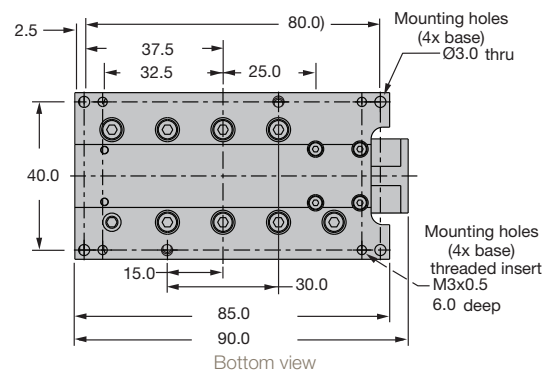
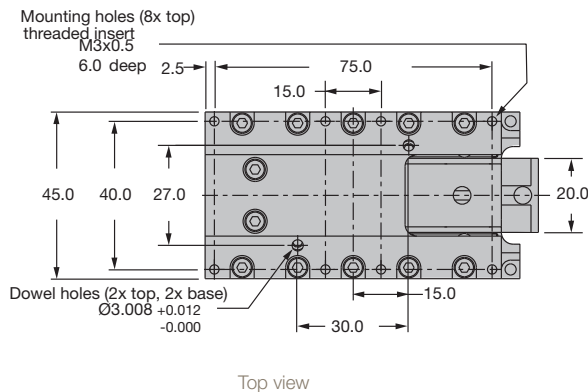
T01 - 5 mm travel



T02 - 15 mm travel

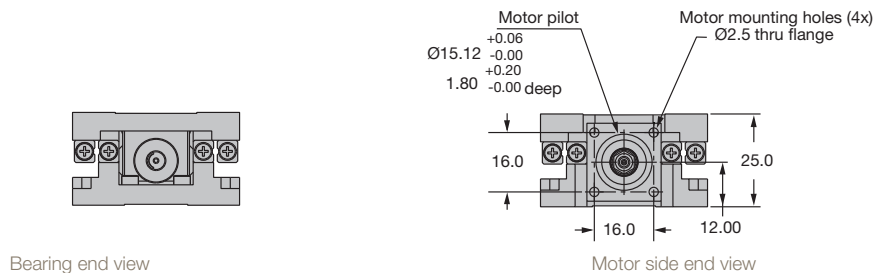


T03 - 25 mm travel



Note: For T01, T02 and T03, the carriage is shown at end of travel, available stroke towards motor mount only.

T01, T02, T03

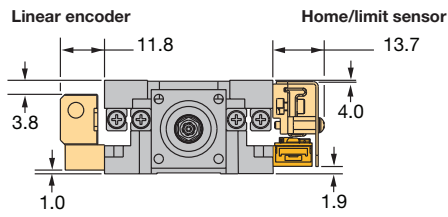


Miniature Positioners - MX Series
MX45S - Dimensions

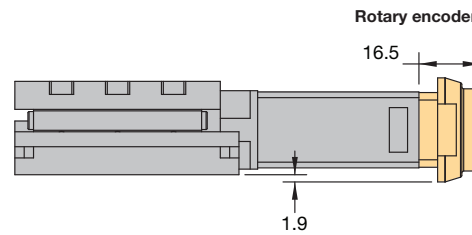
MX45S with option:

Dimensions [mm]

Encoder and home/limit sensor pack



Motor end view



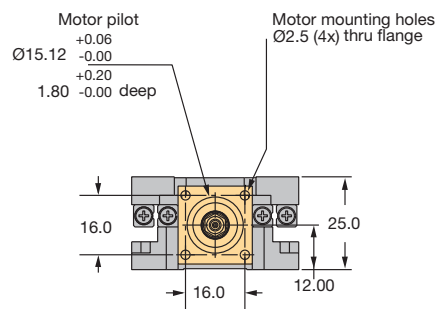
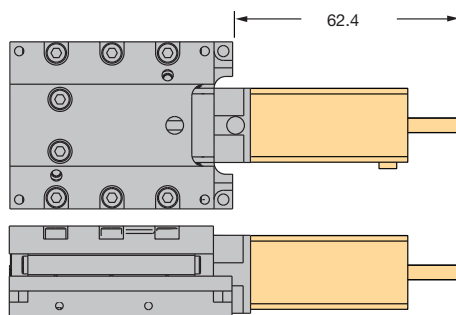
Side view

MX45S with option:

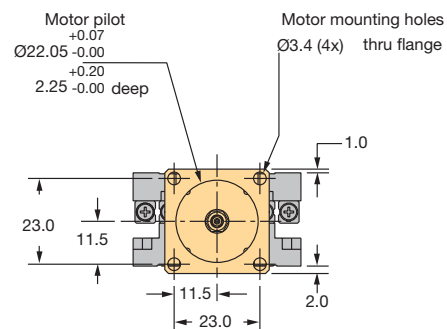
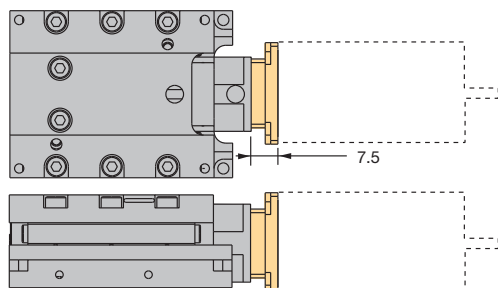
Dimensions [mm]

Motor mounting

NEMA 8 motor mount



NEMA 11 motor mount



MX80S - Ballscrew and Leadscrew Driven Stages

Description

The MX80S miniature positioner is the screw driven member of Parker's MX80 series. Like its counterparts, the MX80L linear motor driven stage and MX80M manual stage, the MX80S is designed for applications requiring reliable linear positioning in space restricted applications. It is a complementary product that is the link between the high dynamic linear motor performance of the MX80L, and the manual precision of the MX80M. The MX80S can be supplied with a high-efficiency leadscrew drive capable of reaching 200 mm/s velocity, or a precision ground ballscrew drive offering axial thrust to 123 N.

The leadscrew drive employs a PTFE coated leadscrew with a preloaded nut to produce extremely smooth linear travel. A choice of three leads provides improved opportunity for matching desired velocity/resolution requirements.

The 2.0 mm lead ballscrew driven stage offers high performance 24/7 operation with a thrust load capacity of 123 N and velocity to 100 mm/s at 100 % duty cycle.

Features

- Low profile miniature size (35 mm high x 80 mm wide)
- Travels: 25, 50, 100, 150 mm
- Multi-axis platform
- Ballscrew or leadscrew drive
- Axial thrust: up to 123 N
- Acceleration: 20 m/s²
- Cross roller bearing (zero cage creep option)
- Stepper or servo motor driven
- Digital limit/home system (option)
- Linear encoder (option)
- Cleanroom preparation (option)
- Low ESD option for electrically sensitive applications (option)



Leadscrew drive



Ballscrew drive

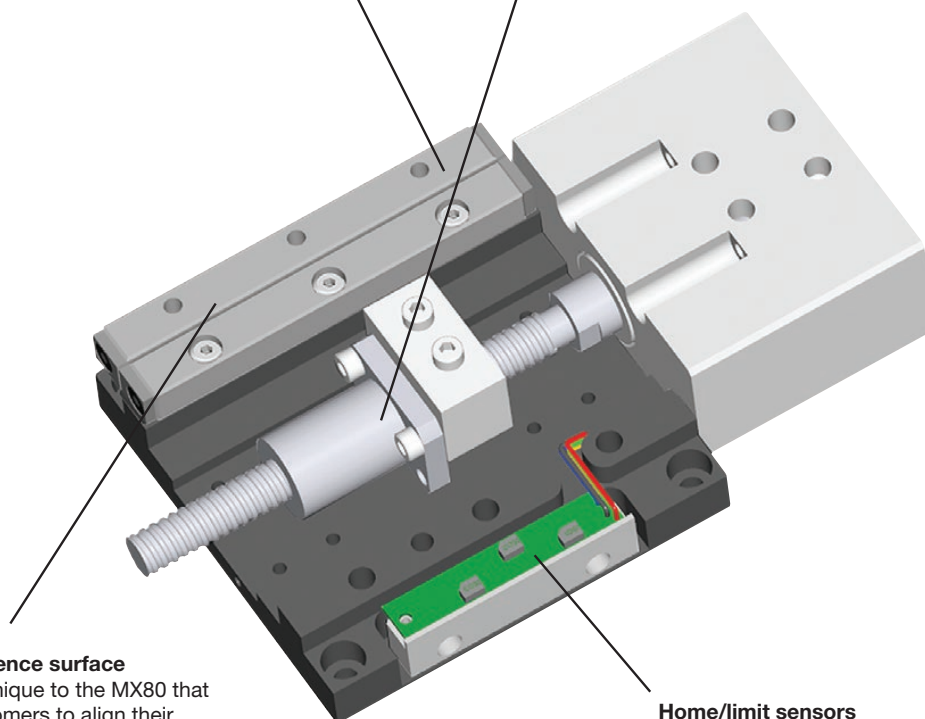
Product Design

Cross roller bearings

provide high stiffness and extremely smooth linear travel. A rack and pinion anti-cage creep design within the bearing races prevents cage creep even at high acceleration, or with cantilevered loads.

Ballscrew drive or leadscrew drive

The 2.0 mm lead ballscrew driven stage offers high performance 24/7 operation with a thrust load capacity of 123 N and velocity to 100 mm/s at 100 % duty cycle. Leadscrew driven stages are available with 1, 2 or 10 mm leads. The PTFE coated leadscrew provides extremely smooth linear travel at velocities up to 200 mm/s.



Master reference surface

is a feature unique to the MX80 that enables customers to align their process to the actual travel path within micrometer.

Home/limit sensors

are magnetic sensors completely housed within the body of the stage, and fully adjustable over the entire travel range.

Technical Characteristics

		Unit	MX80S Leadscrew Drive (Standard)				MX80S Ballscrew Drive (Precision)			
			T01	T02	T03	T04	T01	T02	T03	T04
Travel		[mm]	25	50	100	150	25	50	100	150
Nominal load		[kg]	8	8	8	8	8	8	8	8
Axial thrust force		[N]	44	44	44	44	123	123	123	123
Breakaway torque		[Nm]	0.021	0.021	0.021	0.021	0.050	0.050	0.050	0.050
Running torque	1.0 mm lead	[Nm]	0.028	0.028	0.035	0.035	-	-	-	-
	2.0 mm lead		0.028	0.028	0.035	0.035	0.085	0.085	0.085	0.085
	10.0 mm lead		0.021	0.021	0.021	0.028	-	-	-	-
Inertia (without motor and coupling)	1.0 mm lead	[10 ⁻⁷ kgm ²]	1.47	1.47	2.42	3.06	-	-	-	-
	2.0 mm lead		1.62	1.62	2.68	3.42	4.19	4.19	6.08	7.68
	10.0 mm lead		6.34	6.34	11.30	14.90	-	-	-	-
Screw speed (max)		[min ⁻¹]	1200	1200	1200	1200	3000	3000	3000	3000
Screw diameter		[mm]	6.35	6.35	6.35	6.35	8.00	8.00	8.00	8.00
Maximum speed	1.0 mm lead	[mm/s]	20	20	20	20	-	-	-	-
	2.0 mm lead		40	40	40	40	100	100	100	100
	10.0 mm lead		200	200	200	200	-	-	-	-
Bidirectional repeatability*	1.0 mm lead	[μm]	±5.0	±5.0	±5.0	±5.0	-	-	-	-
	2.0 mm lead		±5.0	±5.0	±5.0	±5.0	±1.5	±1.5	±1.5	±1.5
	10.0 mm lead		±10.0	±10.0	±10.0	±10.0	-	-	-	-
Positional accuracy*	1.0 mm lead	[μm]	30	45	75	100	-	-	-	-
	2.0 mm lead		30	45	75	100	10	15	18	20
	10.0 mm lead		35	50	80	105	-	-	-	-
Straightness & flatness		[μm]	8	12	16	20	8	12	16	20
Screw efficiency	1.0 mm lead	[%]	40	40	40	40	-	-	-	-
	2.0 mm lead		59	59	59	59	90	90	90	90
	10.0 mm lead		78	78	78	78	-	-	-	-
Bearing friction coefficient		-	0.003	0.003	0.003	0.003	0.003	0.003	0.003	0.003
Duty cycle		[%]	50	50	50	50	100	100	100	100
Unit weight	Table only with 2-stack stepper	[kg]	0.597	0.597	1.003	1.268	0.694	0.694	1.114	1.392
			0.748	0.748	1.154	1.419	0.845	0.845	1.265	1.513
Carriage weight (unloaded)		[kg]	0.194	0.194	0.353	0.471	0.291	0.291	0.464	0.595

* **Notes: MX80SS (leadscrew drive)**

- (1) Measured at the carriage center, 35 mm above the mounting surface @ 20 °C with no load. Unit bolted to granite surface, flat to within 1 μm/300 mm.
- (2) Total accuracy and bi-directional repeatability over full travel (peak to peak).

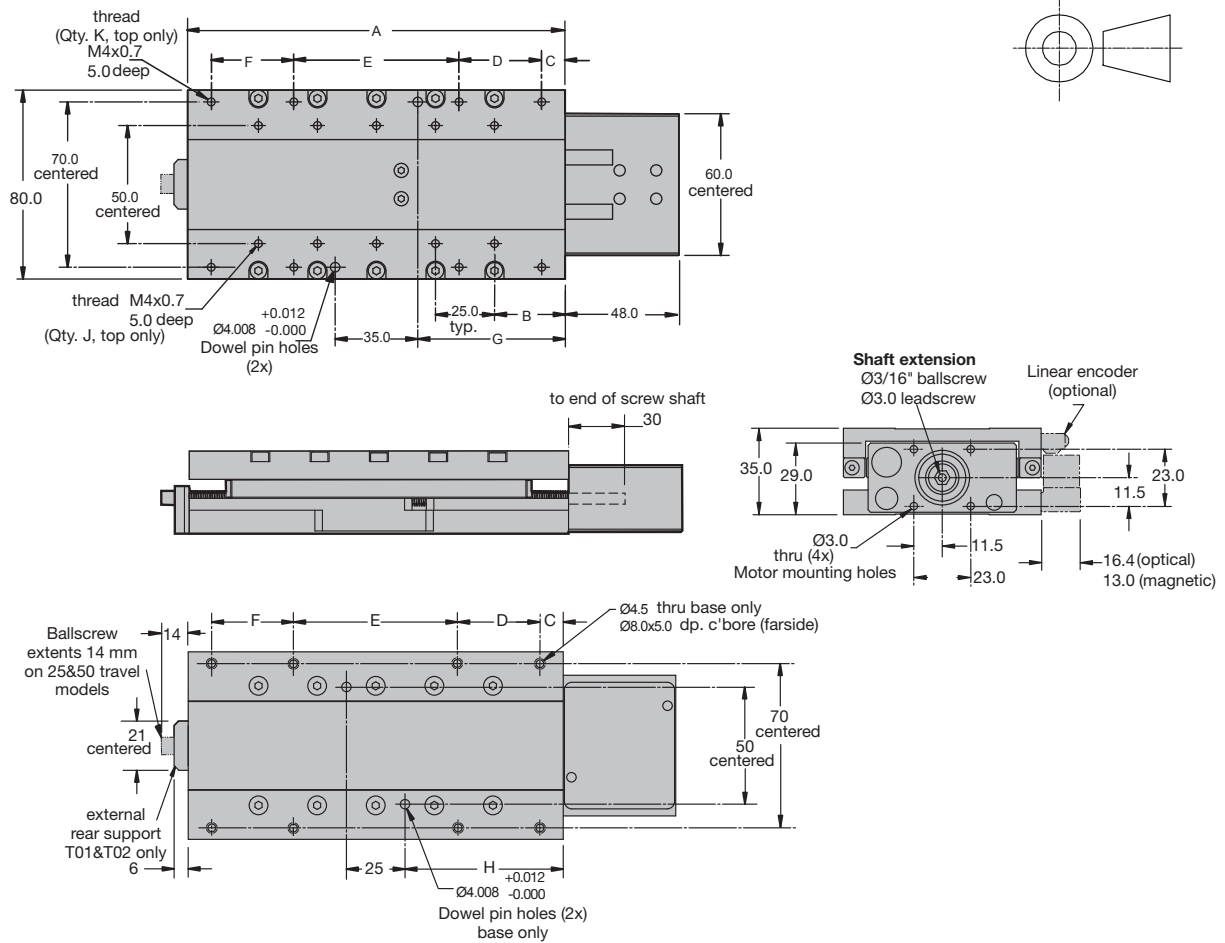
* **Notes: MX80S (ballscrew drive)**

- (1) Measured at the carriage center, 35 mm above the mounting surface @ 20 °C with no load. Unit bolted to granite surface, flat to within 1 μm/300 mm.
- (2) Total accuracy and bi-directional repeatability over full travel (peak to peak).
- (3) Repeatability valid with M21 servo motor.

Miniature Positioners - MX Series
MX80S - Dimensions

Dimensions

Dimensions [mm]

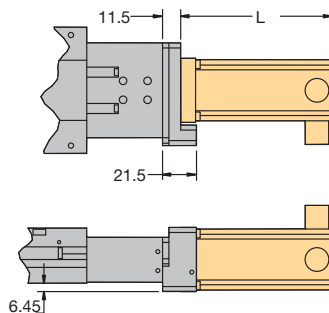
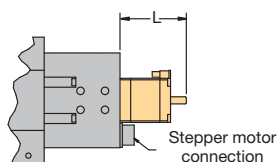


Travel	A	B	C	D	E	F	G	H	J	K
	[mm]									
25	80	15	5	70	—	—	22.5	27.5	6	4
50	80	15	5	70	—	—	22.5	27.5	6	4
100	160	30	10	35	70	35	62.5	67.5	10	8
150	210	30	5	65	70	65	87.5	92.5	14	8

Mounting

Stepper motor

Servo motor



Model	Stack	NEMA	L [mm]
Stepper motor	1	11	42.0
	2		50.0
	3		61.5
Servo motor	1	16	83.6

MX80L - Linear Motor Driven Stages

Description

Parker's MX80L miniature stage, the smallest linear servomotor driven positioner in the industry, is loaded with high-performance features for both rapid linear translation and precise positioning of lighter loads in small work envelopes.

Features

- Low profile miniature size (25 mm high x 80 mm wide)
- Short settling times
- Submicrometer precision
- High velocity 2 m/s
- Multi-axis platform
- Six linear encoder resolutions: (0.01...5.0 μm)
- Travels: 25, 50, 100, 150 and 200 mm
- Cross roller bearing (zero cage creep design)
- Precision or standard grade
- Cleanroom and low ESD option
- Fully adjustable home and limit sensors
- Dowel holes for repeatable payload mounting
- Master reference surface to travel path
- Plug-in intelligent drive
- Pneumatic Z-axis counterbalance
- No moving cables

MX80L Standard Series

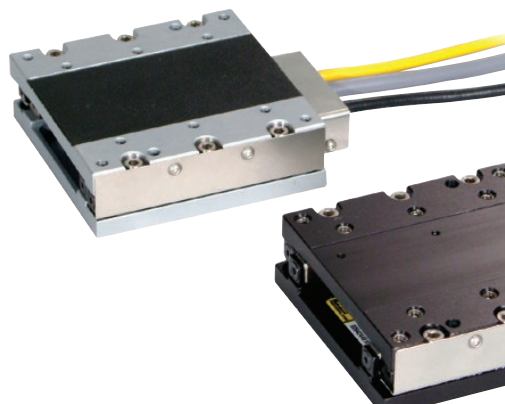
Standard grade units offer a lower cost alternative for applications requiring high throughput performance with less demanding positioning requirements. They are constructed of high alloy aluminum, providing a lighter weight design which can accelerate to 49 m/s².

- Acceleration 50 m/s²
- Repeatability to $\pm 0.8 \mu\text{m}$
- Straightness 6 μm
- Light weight aluminum body
- Low luster black anodize finish

MX80L Precision Series

Precision grade models are designed for high-performance applications requiring the highest degree of positioning accuracy. They offer a steel body design with precisely ground mounting surfaces & bearing ways. They include higher resolution linear encoders, and are slope corrected, laser tested and certified for optimum precision.

- Acceleration 40 m/s²
- Repeatability to $\pm 0.4 \mu\text{m}$
- Straightness 4 μm
- Steel body construction
- Precision ground mounting and bearing surfaces
- Electroless nickel protective finish



MX80LS



MX80LP

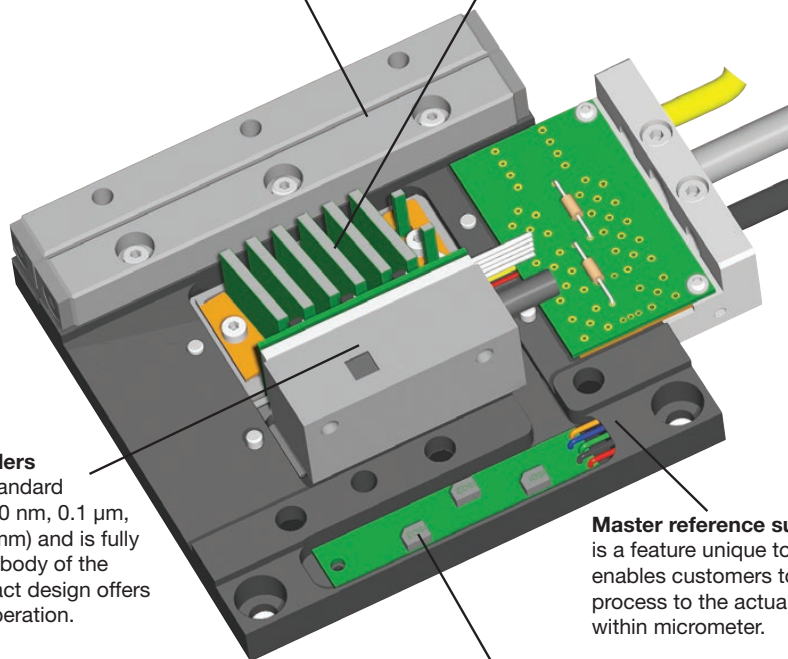
Product Design

Cross roller bearings

provide high stiffness and extremely smooth linear travel. A rack and pinion anti-cage creep design within the bearing races prevents cage creep even at high acceleration, or with cantilevered loads.

Linear servo motors

features a patent pending ironcore design that provides high thrust density for linear acceleration to 50 m/s² and velocities to 2 m/s. The non-contact design offers long life and clean operation.



Optical linear encoders

are available in six standard resolutions (10 nm, 20 nm, 0.1 μm , 0.5 μm , 1.0 μm , 5.0 mm) and is fully integrated within the body of the stage. The non-contact design offers long life and clean operation.

Master reference surface

is a feature unique to the MX80 that enables customers to align their process to the actual travel path within micrometer.

Home/limit sensors

are magnetic sensors completely housed within the body of the stage, and fully adjustable over the entire travel range.

Technical Characteristics

		Unit	MX80L Precision Grade				MX80L Standard Grade				
			T01	T02	T03	T04	T01	T02	T03	T04	T05
Travel		[mm]	25	50	100	150	25	50	100	150	200
Continuous force		[N]	4	4	8	8	4	4	8	8	8
Peak force		[N]	12	12	24	24	12	12	24	24	24
Continuous current		[A _{rms}]	0.8	0.8	1.6	1.6	0.8	0.8	1.6	1.6	1.6
Peak current**		[A]	2.4	2.4	4.8	4.8	2.4	2.4	4.8	4.8	4.8
Force constant		[N/A _{rms}]	5.51	5.51	5.51	5.51	5.51	5.51	5.51	5.51	5.51
Nominal load		[kg]	8	8	8	8	8	8	8	8	8
Max. speed Encoder resolution:	5.0 μm	[mm/s]	1100	1500	2000	2000	1100	1500	2000	2000	2000
	1.0 μm		1100	1500	2000	2000	1100	1500	2000	2000	2000
	0.5 μm		1100	1500	1500	1500	1100	1500	1500	1500	1500
	0.1 μm		300	300	300	300	300	300	300	300	300
	0.02 μm		60	60	60	60	60	60	60	60	60
	0.01 μm		30	30	30	30	30	30	30	30	30
	Sine Cosine		1100	1500	2000	2000	1100	1500	2000	2000	2000
Max. acceleration		[m/s ²]	40	40	40	30	50	50	50	40	30
Bidirectional repeatability* Encoder resolution:	5.0 μm	[μm]	±10.0	±10.0	±10.0	±10.0	±10.0	±10.0	±10.0	±10.0	±10.0
	1.0 μm		±2.0	±2.0	±2.0	±2.0	±2.0	±2.0	±2.0	±2.0	±2.0
	0.5 μm		±1.0	±1.0	±1.0	±1.0	±1.0	±1.0	±1.0	±1.0	±1.0
	0.1 μm		±0.5	±0.5	±0.5	±0.5	±0.5	±0.5	±0.5	±0.5	±0.7
	0.02 μm		±0.4	±0.4	±0.4	±0.4	±0.4	±0.4	±0.4	±0.4	±0.5
	0.01 μm		±0.4	±0.4	±0.4	±0.4	±0.4	±0.4	±0.4	±0.4	±0.5
	Sine Cosine		±0.4	±0.4	±0.4	±0.4	±0.4	±0.4	±0.4	±0.4	±0.5
Positional accuracy* Encoder resolution:	5.0 μm	[μm]	13	14	15	15	25	30	35	35	35
	1.0 μm		5	6	7	7	15	20	25	25	25
	0.5 μm		4	5	6	6	12	15	20	20	20
	0.1 μm		3	4	5	5	12	15	20	20	20
	0.02 μm		3	4	5	5	12	15	20	20	20
	0.01 μm		3	4	5	5	12	15	20	20	20
	Sine Cosine		3	4	5	5	12	15	20	20	20
Straightness & flatness		[μm]	4	4	5	6	6	6	10	12	14
Duty cycle		[%]	100	100	100	100	100	100	100	100	100
Unit weight		[kg]	0.590	0.590	1.027	1.345	0.475	0.475	0.875	1.125	1.370
Carriage weight (unloaded)		[kg]	0.282	0.282	0.509	0.676	0.213	0.213	0.405	0.537	0.695

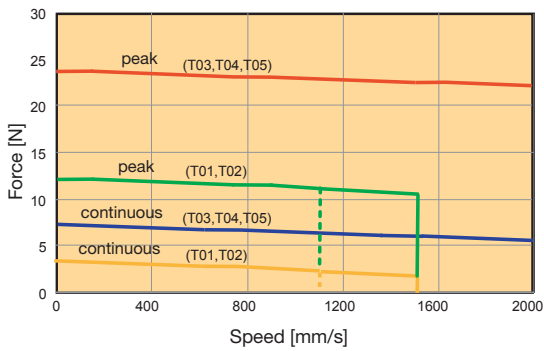
** based on a winding temperature of up to 60 °C for a period of T01, T02: 1.2 s
T03, T04, T05: 5 s

* **Notes MX80L (Precision):**
(1) Measured at the carriage center, 35 mm above the mounting surface @ 20 °C with no load. Unit bolted to granite surface, flat to within 1 μm/300 mm.
(2) Total accuracy and bi-directional repeatability over full travel (peak to peak).
(3) Precision grade with slope correction value. Consult factory if better accuracy is required.

* **Notes MX80L (Standard):**
(1) Total accuracy and bi-directional repeatability over full travel (peak to peak).

Miniature Positioners - MX Series
MX80L - Diagrams

Diagram: Force - Speed



Note:
T01 (25 mm travel) is limited to a maximum speed of 1100 mm/s.
T02 (50 mm) is limited to 1500 mm (due to limited travel).

Diagram: Life - Load (Normal Load)

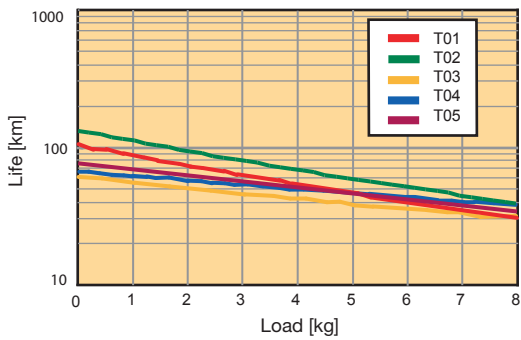
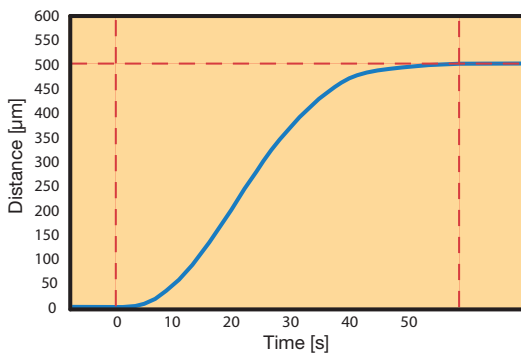
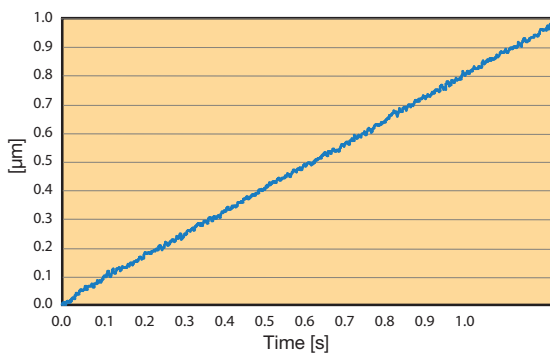


Diagram: Distance vs Time



Note:
1 kg payload, 500 µm move: Move and settle to within 1 µm in 47 ms.

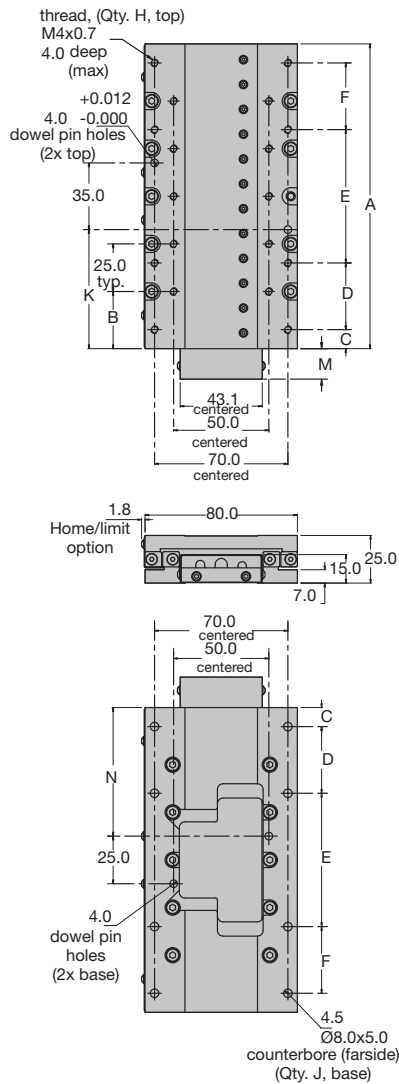
Diagram: Velocity Ripple



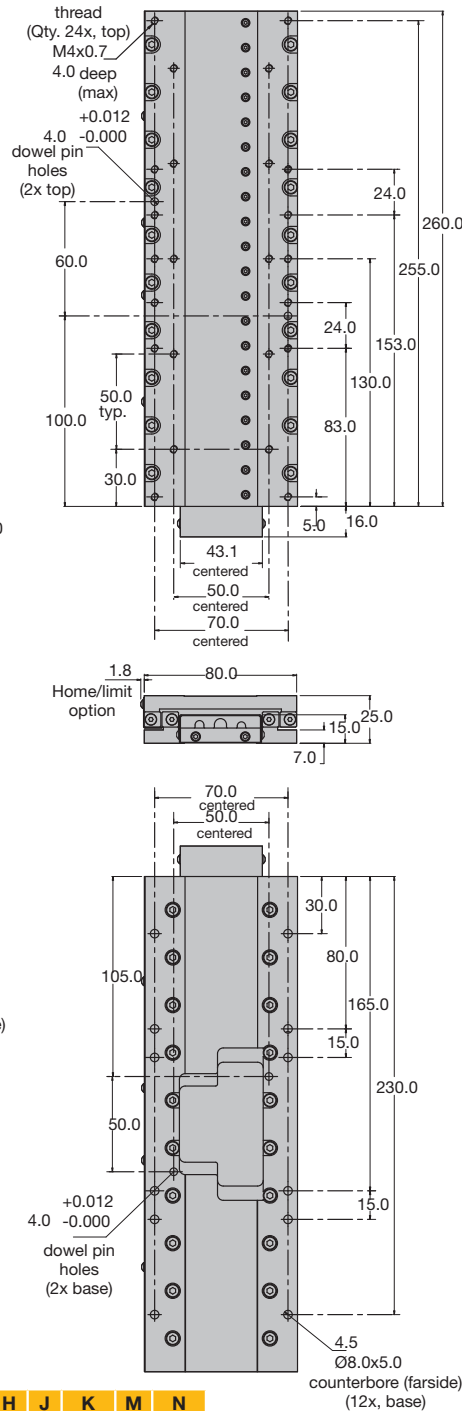
Note:
Tests were performed using a model MX80LT04D13E8 with a 20 nm linear encoder.

Dimensions

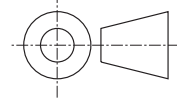
T01, T02, T03, T04



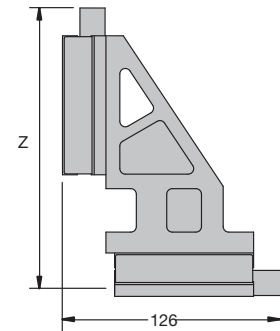
T05



Dimensions [mm]

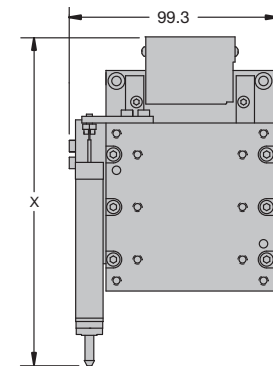


Z-axis



Travel	Z [mm]
25	166
50	166
100	251
150	326
200	not possible

Pneumatic vertical axis counter balance



Travel	X [mm]
25	156.6
50	156.6
100	230.6
150	310.6
200	not possible

Travel	A	B	C	D	E	F	H	J	K	M	N
	[mm]										
25	80	15	5	70	—	—	10	4	22.5	22	27.5
50	80	15	5	70	—	—	10	4	22.5	22	27.5
100	160	30	10	35	70	35	18	8	62.5	16	67.5
150	210	30	5	65	70	65	22	8	87.5	16	92.5

MX80M - Free Travel and Micrometer Driven Stages

Description

The MX80M stages are offered as free travel or micrometer driven units with 25 mm or 50 mm travel. They include innovative tooling features to make mounting and precision alignment quicker and easier. A hardened steel master reference surface is provided along the side of the stage to allow fixturing or other tooling elements to be precisely aligned with the actual travel path. Dowel pin holes are provided on the carriage top for repeatable mounting or tooling. Also available are custom features such as a steel body design, vacuum prepped units, and anti cage creep bearings for high dynamic applications up to 150 mm travel.

Features

- Precision cross roller bearings
- Clean room preparation (option)
- Low ESD coating (option)
- Dowel holes in top & base
- Interchangeable mounting with motorized MX80 models
- Positive position lock



Technical Characteristics

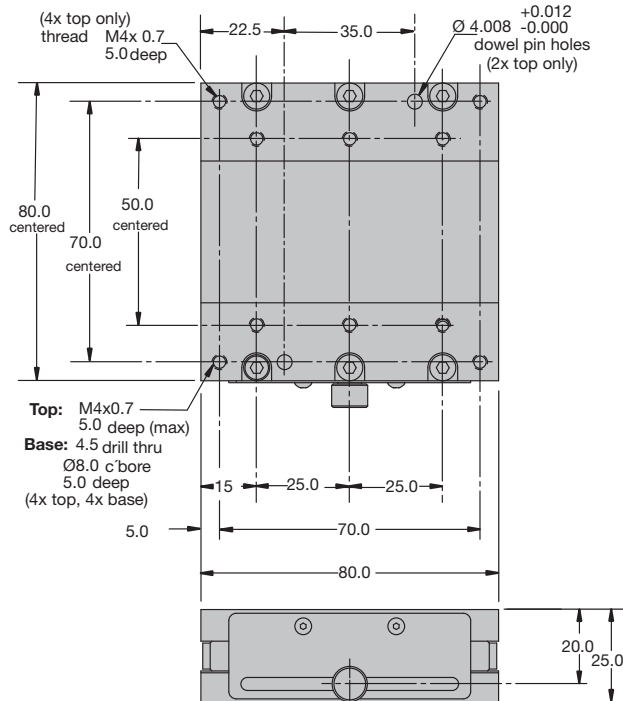
	Unit	MX80M free travel		MX80M micrometer driven	
		T01	T02	T01	T02
Travel	[mm]	25	50	25	50
Nominal load	[kg]	20	20	20	20
Axial force ⁽¹⁾					
F _a	[N]	-	-	44.1	44.1
F _b		-	-	5.9	9.8
Straight line accuracy (per 25 mm travel)	[µm]	2	2	2	2
Micrometer resolution					
0.001 in	-	-	-	Yes	Yes
0.01 mm		-	-	Yes	Yes
Digital micrometer					
0.00005 in	-	-	-	Yes	Yes
0.001 mm		-	-	Yes	Yes

⁽¹⁾ F_a (Force acting against micrometer)
F_b (Force acting against spring)

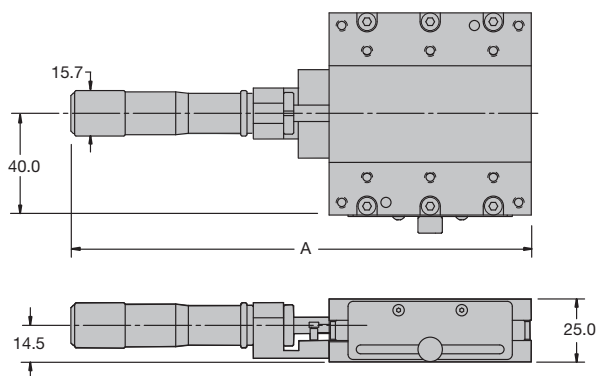
Dimensions

Dimensions [mm]

Free travel (with position lock)

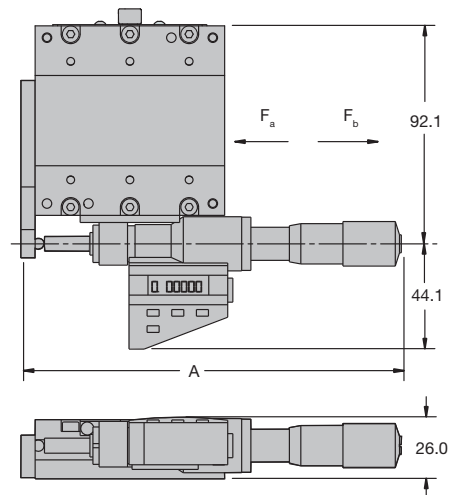


Standard micrometer (center drive shown)



Drive orientation	Travel [mm]	A [mm]
Center	25	182.2
	50	231.4
Side	25	117.2
	50	167.4

Digital micrometer (side drive shown)



Drive orientation	Travel [mm]	A [mm]
Center	25	225.6
	50	273.5
Side	25	160.6
	50	209.5

Options and Accessories

Encoder Option

Order codes: E..

Linear Encoder

MX80

A non-contact linear optical encoder provides a quadrature output and offers resolution ranging from 10 nm to 5 µm further more there is a sine output available.

On the MX80L, the encoder is internal to the stage body. There is no increase to the footprint of the unit and no additional external cabling is required.

MX45

On the MX45S, the encoder is mounted externally to the stage body, an addition which can be added later if application requirements change.



MX45S with linear encoder



Rotary encoder

Rotary Encoder

When using stepper motors, positional feedback is readily available with the optional rotary encoder. 400- and 500-line rotary encoders provide position verification and position maintenance.

Home and Limit Sensor Option

Order codes: H.., L..

The MX45S features an innovative, compact, fully adjustable and field-installed home/limit sensor pack. The output format is either NPN or PNP and is available as either N.O. or N.C. The sensor pack is powered with 5 to 24 VDC and is capable of sinking or sourcing up to 50 mA per switch.

On the MX80 series the magnetic home and limit sensors are completely housed within the body of the stage. An innovative design adds functionality without sacrificing geometry. Sensor triggers can be easily adjusted over the travel. The output format is an open collector type capable of sinking up to 50 mA, and be set as N.O. or N.C.



MX45S with home/limit sensor pack

Cable Option "Plug & Play" (MX80)

Order codes: CM..

"User convenience" is high on the list of cable features found in the MX series. The high-flex cabling and connectors are reliable, durable and offer easy hook-up for „plug and run“ installation.

- High-flex cables
- Plug-in compatibility with ViX drive
- CE compliant connectors and shielding
- Color coded jackets and labeling
- Connectors simplify installation



Motor Mounting Options

Order codes: N.., M..

The MX series can be ordered with motor or prepared for motor mounting. Motor availability depends on the ordered MX drive technology.

Environmental Protection Option (MX80)

Both precision and standard grade units have a hard coat protective finish. The precision units have a hard coat (Rc 78) satin chrome finish, and the standard units have a low luster black anodized finish.

Cleanroom Option

Order codes: R..

Both precision and standard grade products can be prepared for cleanroom compatibility. Preparation involves material changes, element modification and cleanroom compatible lubricants. MX80L and MX80S stages with this option are class 10 cleanroom compatible. When applying an XY or XYZ combination in a cleanroom environment, moving wires need to be considered - please consult a Parker application engineer.



Low ESD Finish

Order codes: R..

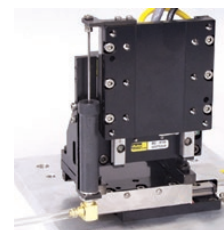
An optional low ESD electroless nickel or Armoloy coating is offered for improved electrical conductivity, providing a low resistance to ground path for electric discharge.



Z-Axis Counterbalance Option (MX80L)

Order codes: X..

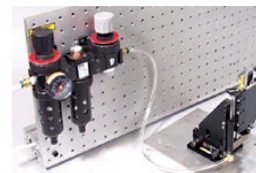
A pneumatic Z-axis counterbalance is offered to prevent a sudden load drop if power to the motor is interrupted. A controlled vertical force is applied to the stage top to negate the effect of gravity and achieve equilibrium. A precisely regulated clean air supply of 0 to 413.7 kPa is required for operation.



Pneumatic Package (MX80L)

This accessory is offered for use with the pneumatic counterbalance option. It consists of a pre-filter, a pressure regulator, a coalescing filter, and a precision regulator to precisely regulate air pressure and remove oil, water or debris down to 3 µm.

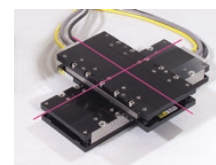
Part number: 002-2236-01



System Orthogonality Option (MX80)

Order codes: S..

In any multi-axis positioning system, the perpendicular alignment of the axes must be clearly specified. „Degree of orthogonality“ defines the perpendicular alignment of one axis to another. The MX80 offers two choices for orthogonality. As standard, perpendicularity is held to within 60 arc seconds. For more exacting applications the MX80 can be optioned for 15 arc seconds orthogonality.



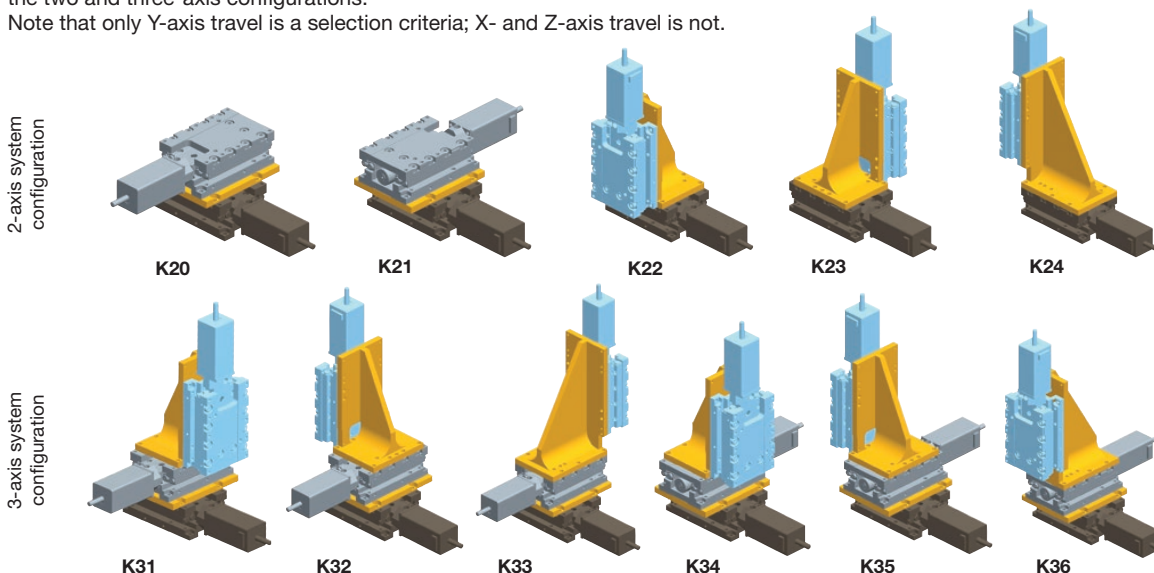
Mounting Bracket Kit Option (MX45S)

Order codes: K..

MX45S to MX45S (Mounting Bracket Kits)

To build multi-axis MX45S systems, mounting bracket kits are available to build the two and three-axis configurations.

Note that only Y-axis travel is a selection criteria; X- and Z-axis travel is not.



Multi-axis bracket kits

		Part number		
Bracket Kit		T01 *	T02 *	T03 *
2-axis system configuration	K20	002-2956-200	002-2956-201	002-2956-202
	K21	002-2956-200	002-2956-201	002-2956-202
	K22	-	002-2956-220	-
	K23	-	002-2956-220	-
	K24	-	002-2956-240	-
3-axis system configuration	K31	002-2956-310	002-2956-311	002-2956-312
	K32	002-2956-310	002-2956-311	002-2956-312
	K33	002-2956-330	002-2956-331	002-2956-332
	K34	002-2956-310	002-2956-311	002-2956-312
	K35	002-2956-310	002-2956-311	002-2956-312
	K36	002-2956-330	002-2956-331	002-2956-332

* T01, T02 and T03 designates Y axis travel only

Z-axis bracket*

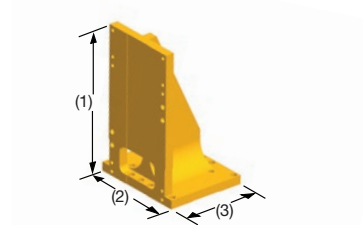
Bracket Kit	T01, T02, T03		
	Height (1) [mm]	Width (2) [mm]	Depth (3) [mm]
K22, K23	85	45	55
K24, K33, K36	104	45	55
K31, K32, K34, K35	85	55	45

* not compatible with N11 motor mounts

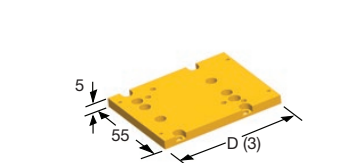
X-Y axis bracket

Bracket Kit	T01	T02	T03
	Depth (3) [mm]		
K20, K21, K31, K32, K33, K34, K35, K36	60	70	85

Z-axis bracket



X-Y axis transition plate bracket



MX45S to MX80 (Mounting Brackets)

MX45S positioners can also be used as a Y- or Z-axis in conjunction with MX80 positioners.

Kit	Configuration	Part number	Height	Width	Depth
			[mm]		
X-Y	MX45ST01 - MX80	002-2958-01	5	80	80
	MX45ST02 - MX80	002-2958-02	5	80	80
	MX45ST03 - MX80	002-2958-03	5	80	92.5
X-Z*	MX45S (all) - MX80	002-2958-04	87.5	80	80

* not compatible with N11 motor mounts

Z-Axis Bracket (MX80)

Lightweight aluminium Z-brackets are available for easy construction of vertical axis combinations (MX80).

Part number: Standard model

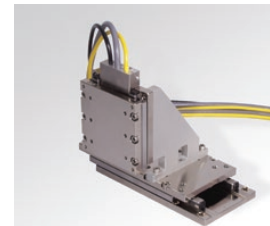
25, 50 mm: 002-2238-01

100, 150 mm: 002-2240-01

Part number: ESD-protection

5 & 50 mm: 002-2239-01

100 & 150 mm: 002-2241-01



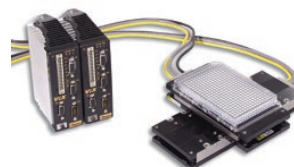
Digital Drives - Simple Configuration

Tuning is easy and intuitive for users and is available via a variety of methods. The motor and loading information must be known by the drive to determine the baseline tuning gains. These are simple parameter entries the user can complete with the help of several Parker tools. Seamless integration of drives and controls ensures performance matched functionality of the completed motion system.

ViX - Intelligent Servo & Microstepping Drives/Controller

Order separately

The ViX servo and microstepping drives are the perfect drive solution to be paired with the MX80 series. These drives use advanced field oriented digital control technology to enhance dynamic performance and improve efficiency. In addition to servo and microstepping versions, the ViX family is offered with different levels of control.



MX80 with ViX

VXLPSU - Power Supply Module

Order separately

The Parker power supply offers a convenient way of powering a ViX servo drive. The continuous rated output is 240 W at 230 VAC or 960 W at 400 VAC input and supplies the 80 V main DC rail and operates directly from all AC supplies between 90 V and 264 V. No external EMC filters are required unless the motor leads are exceptionally long (e.g. greater than 30 m).

Part number: VXLPSU240 and VXLPSU960

Compax3 - Intelligent Servo Drives/Controllers

Order separately

With a Compax3 drive, a transformer must be used. Parker provides a suitable transformer.

Part number: TO255



MX80 with Compax3

Order Code

MX45S

	1	2	3	4	5	6	7	8	9
Order example	MX45S	T01	S	K	D1	N00	E000	L0	K00S

1 Series	MX45S Miniature Linear Positioner
2 Travel - mm	T01 5 T02 15 T03 25
3 Grade	S Standard (leadscrew drive) P Precision (ballscrew drive)
4 Bearing type*	K Anti-creep system (ACS) crossed roller bearings
5 Drive type	D1 0.5 mm leadscrew ⁽¹⁾ D2 1 mm leadscrew ⁽¹⁾ D3 1 mm ballscrew ⁽²⁾ ⁽¹⁾ With standard grade only. ⁽²⁾ With precision grade only.
6 Motor mounting option	N00 No motor no motor flange, no coupler N08 No motor, NEMA 8 motor flange, & coupler N11 No motor, NEMA 11 motor flange, & coupler ⁽¹⁾ M10 NEMA 8 stepper motor mounted ⁽²⁾ M11 NEMA 8 stepper motor mounted ⁽²⁾ ⁽¹⁾ Not available with T03 travel option on K20 and K22 X-Y axis bracket kits or Z-axis bracket kits (K22 thru K36). ⁽²⁾ With 1 m cable, flying leads. ⁽³⁾ With 1 m cable with P2 drive connector.
7 Encoder option*	E000 None ER10 Rotary Encoder, 400-line ⁽¹⁾ , flying leads ER11 Rotary Encoder, 400-line ⁽¹⁾ , ViX connector ER12 Rotary Encoder, 400-line ⁽¹⁾ ACR connector ER13 Rotary Encoder, 400-line ⁽¹⁾ 6K connector ER20 Rotary Encoder, 500-line ⁽¹⁾ , flying leads ER21 Rotary Encoder, 500-line ⁽¹⁾ , ViX connector ER22 Rotary Encoder, 500-line ⁽¹⁾ , ACR connector ER23 Rotary Encoder, 500-line ⁽¹⁾ , 6K connector EL20 Linear Encoder ⁽²⁾ 1 µm resolution EL30 Linear Encoder ⁽²⁾ 0.5 µm resolution EL40 Linear Encoder ⁽²⁾ 0.1 µm resolution EL50 Linear Encoder ⁽²⁾ 5 µm resolution EL70 Linear Encoder ⁽²⁾ sine output * Consult factory for other options. ⁽¹⁾ Encoder equipped with 1 m high-flex cable ⁽²⁾ Encoder equipped with 1 m high-flex cable, 15-pin D-sub connector; Z-channel in center position
8 Home/limit sensor option*	L0 None L2 N.O. home/N.C. limit, NPN, 1 m cable flying leads L4 N.O. home/N.C. limit, PNP, 1 m cable flying leads * NC=Normally Closed; NO=Normally Open. Home switch not available with T01; use one of the limits as home for T01.
9 Multi-axis kit option	K00S Single-axis K20X X-Y System Multi-Axis Mounting Bracket-Kit (9 o'clock) - X-axis designator K20Y X-Y System Multi-Axis Mounting Bracket-Kit (9 o'clock) - Y-axis designator K21X X-Y System Multi-Axis Mounting Bracket-Kit (3 o'clock) - X-axis designator K21Y X-Y System Multi-Axis Mounting Bracket-Kit (3 o'clock) - Y-axis designator K22X X-Z System Multi-Axis Mounting Bracket-Kit (9 o'clock) - X-axis designator K22Z X-Z System Multi-Axis Mounting Bracket-Kit (9 o'clock) - Z-axis designator K23X X-Z System Multi-Axis Mounting Bracket-Kit (3 o'clock) - X-axis designator K23Z X-Z System Multi-Axis Mounting Bracket-Kit (3 o'clock) - Z-axis designator K24X X-Z System Multi-Axis Mounting Bracket-Kit (12 o'clock) - X-axis designator K24Z X-Z System Multi-Axis Mounting Bracket-Kit (12 o'clock) - Z-axis designator K31X X-Y-Z System Multi-Axis Mounting Bracket-Kit (9/6 o'clock) - X-axis designator K31Y X-Y-Z System Multi-Axis Mounting Bracket-Kit (9/6 o'clock) - Y-axis designator K31Z X-Y-Z System Multi-Axis Mounting Bracket-Kit (9/6 o'clock) - Z-axis designator K32X X-Y-Z System Multi-Axis Mounting Bracket-Kit (9/12 o'clock) - X-axis designator K32Y X-Y-Z System Multi-Axis Mounting Bracket-Kit (9/12 o'clock) - Y-axis designator K32Z X-Y-Z System Multi-Axis Mounting Bracket-Kit (9/12 o'clock) - Z-axis designator K33X X-Y-Z System Multi-Axis Mounting Bracket-Kit (9/3 o'clock) - X-axis designator K33Y X-Y-Z System Multi-Axis Mounting Bracket-Kit (9/3 o'clock) - Y-axis designator K33Z X-Y-Z System Multi-Axis Mounting Bracket-Kit (9/3 o'clock) - Z-axis designator K34X X-Y-Z System Multi-Axis Mounting Bracket-Kit (3/6 o'clock) - X-axis designator K34Y X-Y-Z System Multi-Axis Mounting Bracket-Kit (3/6 o'clock) - Y-axis designator K34Z X-Y-Z System Multi-Axis Mounting Bracket-Kit (3/6 o'clock) - Z-axis designator K35X X-Y-Z System Multi-Axis Mounting Bracket-Kit (3/12 o'clock) - X-axis designator K35Y X-Y-Z System Multi-Axis Mounting Bracket-Kit (3/12 o'clock) - Y-axis designator K35Z X-Y-Z System Multi-Axis Mounting Bracket-Kit (3/12 o'clock) - Z-axis designator K36X X-Y-Z System Multi-Axis Mounting Bracket-Kit (3/9 o'clock) - X-axis designator K36Y X-Y-Z System Multi-Axis Mounting Bracket-Kit (3/9 o'clock) - Y-axis designator K36Z X-Y-Z System Multi-Axis Mounting Bracket-Kit (3/9 o'clock) - Z-axis designator

Miniature Positioners - MX Series
Order Code

MX80S

	1	2	3	4	5	6	7	8	9	10	11	12	13	14	15
Order example	MX80S	T04	M	P	K	D4	M1	H3L3	CM08	E3	Z1	R1	A1	S1	X1

1 Series	MX80S
2 Travel - mm	T01 25 T02 50 T03 100 T04 150
3 Mounting	M Metric
4 Grade	S Standard (leadscrew drive) P Precision* (ballscrew drive) * Must order digital option E3 or E4
5 Bearing type	K ACS cross roller
6 Drive type	D1 1 mm leadscrew ⁽¹⁾ D2 2 mm leadscrew ⁽¹⁾ D3 10 mm leadscrew ^{(1),(3)} D6 2 mm ballscrew ^{(2),(3)} ⁽¹⁾ With standard grade only. ⁽²⁾ With precision grade only. ⁽³⁾ Not available with 1- or 2-stack stepper motor.
7 Motor mounting option	M0 No motor, no flange, no coupling M1 No motor, no coupling NEMA 16 flange M14 LV111 (stepper motor, 1 stack, NEMA 11) M15 LV112 (stepper motor, 2 stack, NEMA 11) M16 LV113 (stepper motor, 3 stack, NEMA 11) M21 Servo motor (1 stack, NEMA 16)
8 Home/limit sensor option	H1L1 None H2L2 N.C. home/N.C. limit H2L3 N.C. home/N.O. limit H3L2 N.O. home/N.C. limit H3L3 N.O. home/N.O. limit
9 Cable option (high-flex)	CM01 None CM02 1 m Highflex Limits/Home Sensor Only Cable (flying leads) CM03 3 m Highflex Limits/Home Sensor Only Cable (flying leads) CM04 1 m Highflex Limits/Home Sensor Only Cable with ViX Connector CM05 3 m Highflex Limits/Home Sensor Only Cable with ViX Connector CM06 1 m Highflex Stepper Motor Cables with ViX Connector CM07 3 m Highflex Stepper Motor Cables with ViX Connector CM08 1 m Highflex Stepper Motor Cables with ViX Connector, no Limits/Home CM09 3 m Highflex Stepper Motor Cables with ViX Connector, no Limits/Home CM15 3 m Highflex Servo Motor Cables with ViX Connector CM17 3 m Highflex Servo Motor Cables with ViX Connector, no Limits/Home
10 Encoder option	E1 None E2 1.0 µm resolution E3 0.5 µm resolution E4 0.1 µm resolution E5 5.0 µm resolution E7 Sine output
11 Z channel location	Z1 None Z3 Center position
12 Finish	R1 Standard finish (black anodized) R2 Cleanroom preparation R10 Low ESD finish R20 Low ESD finish & cleanroom preparation
13 Digital drive	A1 None
14 Orthogonality	S1 None (single-axis) S2 X-axis base unit (cables @ 12 o'clock) S3 Y-axis 60 arcsec (cables @ 3 o'clock) S4 Y-axis 60 arcsec (cables @ 9 o'clock) S5 Y-axis 15 arcsec (cables @ 3 o'clock) S6 Y-axis 15 arcsec (cables @ 9 o'clock)
15 Required designator	X1

MX80L

	1	2	3	4	5	6	7	8	9	10	11	12	13	14
Order example	MX80L	T02	M	P	D11	H3	L2	CM08	Z3	E7	R1	A1	X1	S1

1 Series	MX80L	9 Z channel location	Z1 None
2 Travel - mm	T01 25	Z3 Center position	
	T02 50	10 Encoder option	E1 None
	T03 100	E2 1.0 µm resolution	E3 0.5 µm resolution
	T04 150	E4 0.1 µm resolution	E7 Sine Cosine V_{ss} (for C3F12)
	T05 200	E8 0.02 µm resolution (20 nm)	E9 0.01 µm resolution (10 nm)
3 Mounting	M Metric	11 Finish	R1 Standard finish (black anodized)
4 Grade	S Standard	R2 Cleanroom preparation	R10 Low ESD finish
	P Precision*	R20 Low ESD finish & cleanroom preparation	12 Digital drive
	* not available with T05 travel	11 R10 Low ESD finish	A1 None
5 Drive type	D1 None - free travel/idler	12 R20 Low ESD finish & cleanroom preparation	13 Additional option
	D11 4 pole (25 & 50 mm travel only)	13 X1 None	X2 Z-axis pneumatic counter balance*
	D13 8 pole (100, 150 & 200 mm travel only)	X2 Z-axis pneumatic counter balance*	* not available with T05 travel
6 Home sensor	H1 None - for drive type D1	14 Orthogonality	S1 None (single-axis)
	H2 N.C., sinking	S2 X-axis base unit (cables @ 12 o'clock)	S3 Y-axis 60 arcsec (cables @ 3 o'clock)
	H3 N.O., sinking	S4 Y-axis 60 arcsec (cables @ 9 o'clock)	S5 Y-axis 15 arcsec (cables @ 3 o'clock)
7 Limit sensor	L1 None - for Drive type D1	S6 Y-axis 15 arcsec (cables @ 9 o'clock)	
	L2 N.C., sinking		
	L3 N.O., sinking		
8 Cable option (high-flex)	CM03 None - for Drive type D1		
	CM04 1 m Highflex Cables with ViX Connector		
	CM05 3 m Highflex Cables with ViX Connector		
	CM06 1 m Highflex Cables with ViX Connector, no Limits/Home		
	CM07 3 m Highflex Cables with ViX Connector, no Limits/Home		
	CM08 1 m Highflex Cables with Compax3 Connector		
	CM09 3 m Highflex Cables with Compax3 Connector*		

*Please note:

With a Compax3 drive, a transformer (e.g. TO255) must be used, i.e. the intermediate voltage must not exceed 80 VDC.

Miniature Positioners - MX Series
Order Code

MX80M

	1	2	3	4	5	6	7	8	9
Order example	MX80M	T02	M	S	C2	D22	R1	X4	S1

1 Series	MX80M
2 Travel - mm	T01 25 T02 50
3 Mounting	M Metric
4 Grade	S Standard
5 Type	C1 None - free travel/idler C2 Center drive C3 Lateral drive
6 Drive type	D1 None D20 Metric micrometer D21 English micrometer D22 Digital micrometer
7 Finish	R1 Standard finish (black anodized) R2 Cleanroom preparation R10 Low ESD finish R20 Low ESD finish & cleanroom preparation
8 Lock option	X1 None X4 With lock
9 Axis designator	S1 None (single-axis) S2 X-axis base unit (micrometer @12 o'clock) S3 Y-axis 60 arcsec (micrometer @3 o'clock) S4 Y-axis 60 arcsec (micrometer @9 o'clock) S5 Y-axis 15 arcsec (micrometer @3 o'clock) S6 Y-axis 15 arcsec (micrometer @9 o'clock)



Parker's Motion & Control Technologies

At Parker, we're guided by a relentless drive to help our customers become more productive and achieve higher levels of profitability by engineering the best systems for their requirements. It means looking at customer applications from many angles to find new ways to create value. Whatever the motion and control technology need, Parker has the experience, breadth of product and global reach to consistently deliver. No company knows more about motion and control technology than Parker. For further info call 00800 27 27 5374



Aerospace

Key Markets

Aftermarket services
Commercial transports
Engines
General & business aviation
Helicopters
Launch vehicles
Military aircraft
Missiles
Power generation
Regional transports
Unmanned aerial vehicles

Key Products

Control systems & actuation products
Engine systems & components
Fluid conveyance systems & components
Fluid metering, delivery & atomization devices
Fuel systems & components
Fuel tank inerting systems
Hydraulic systems & components
Thermal management
Wheels & brakes



Climate Control

Key Markets

Agriculture
Air conditioning
Construction Machinery
Food & beverage
Industrial machinery
Life sciences
Oil & gas
Precision cooling
Process
Refrigeration
Transportation

Key Products

Accumulators
Advanced actuators
CO₂ controls
Electronic controllers
Filter driers
Hand shut-off valves
Heat exchangers
Hose & fittings
Pressure regulating valves
Refrigerant distributors
Safety relief valves
Smart pumps
Solenoid valves
Thermostatic expansion valves



Electromechanical

Key Markets

Aerospace
Factory automation
Life science & medical
Machine tools
Packaging machinery
Paper machinery
Oil & gas
Primary metals
Semiconductor & electronics
Textile
Wire & cable

Key Products

AC/DC drives & systems
Electric actuators, gantry robots & slides
Electrohydraulic actuation systems
Electromechanical actuation systems
Human machine interface
Linear motors
Stepper motors, servo motors, drives & controls
Structural extrusions



Filtration

Key Markets

Aerospace
Food & beverage
Industrial plant & equipment
Life sciences
Marine
Mobile equipment
Oil & gas
Power generation & renewable energy
Process
Transportation
Water Purification

Key Products

Analytical gas generators
Compressed air filters & dryers
Engine air, coolant, fuel & oil filtration systems
Fluid condition monitoring systems
Hydraulic & lubrication filters
Hydrogen, nitrogen & zero air generators
Instrumentation filters
Membrane & fiber filters
Microfiltration
Sterile air filtration
Water desalination & purification filters & systems



Fluid & Gas Handling

Key Markets

Aerial lift
Agriculture
Bulk chemical handling
Construction machinery
Food & beverage
Fuel & gas delivery
Industrial machinery
Life sciences
Marine
Mining
Mobile
Oil & gas
Renewable energy
Transportation

Key Products

Check valves
Connectors for low pressure fluid conveyance
Deep sea umbilicals
Diagnostic equipment
Hose couplings
Industrial hose
Mooring systems & power cables
PTFE hose & tubing
Quick couplings
Rubber & thermoplastic hose
Tube fittings & adapters
Tubing & plastic fittings



Hydraulics

Key Markets

Aerial lift
Agriculture
Alternative energy
Construction machinery
Forestry
Industrial machinery
Machine tools
Marine
Material handling
Mining
Oil & gas
Power generation
Refuse vehicles
Renewable energy
Truck hydraulics
Turf equipment

Key Products

Accumulators
Cartridge valves
Electrohydraulic actuators
Human machine interfaces
Hybrid drives
Hydraulic cylinders
Hydraulic motors & pumps
Hydraulic systems
Hydraulic valves & controls
Hydrostatic steering
Integrated hydraulic circuits
Power take-offs
Power units
Rotary actuators
Sensors



Pneumatics

Key Markets

Aerospace
Conveyor & material handling
Factory automation
Life science & medical
Machine tools
Packaging machinery
Transportation & automotive

Key Products

Air preparation
Brass fittings & valves
Manifolds
Pneumatic accessories
Pneumatic actuators & grippers
Pneumatic valves & controls
Quick disconnects
Rotary actuators
Rubber & thermoplastic hose & couplings
Structural extrusions
Thermoplastic tubing & fittings
Vacuum generators, cups & sensors



Process Control

Key Markets

Alternative fuels
Biopharmaceuticals
Chemical & refining
Food & beverage
Marine & shipbuilding
Medical & dental
Microelectronics
Nuclear Power
Offshore oil exploration
Oil & gas
Pharmaceuticals
Power generation
Pulp & paper
Steel
Water/wastewater

Key Products

Analytical instruments
Analytical sample conditioning products & systems
Chemical injection fittings & valves
Fluoropolymer chemical delivery fittings, valves & pumps
High purity gas delivery fittings, valves, regulators & digital flow controllers
Industrial mass flow meters/controllers
Permanent no-weld tube fittings
Precision industrial regulators & flow controllers
Process control double block & bleeds
Process control fittings, valves, regulators & manifold valves



Sealing & Shielding

Key Markets

Aerospace
Chemical processing
Consumer
Fluid power
General industrial
Information technology
Life sciences
Microelectronics
Military
Oil & gas
Power generation
Renewable energy
Telecommunications
Transportation

Key Products

Dynamic seals
Elastomeric o-rings
Electro-medical instrument design & assembly
EMI shielding
Extruded & precision-cut, fabricated elastomeric seals
High temperature metal seals
Homogeneous & inserted elastomeric shapes
Medical device fabrication & assembly
Metal & plastic retained composite seals
Shielded optical windows
Silicone tubing & extrusions
Thermal management
Vibration dampening

Parker Worldwide

Europe, Middle East, Africa

AE – United Arab Emirates, Dubai
Tel: +971 4 8127100
parker.me@parker.com

AT – Austria, Wiener Neustadt
Tel: +43 (0)2622 23501-0
parker.austria@parker.com

AT – Eastern Europe, Wiener Neustadt
Tel: +43 (0)2622 23501 900
parker.easteurope@parker.com

AZ – Azerbaijan, Baku
Tel: +994 50 2233 458
parker.azerbaijan@parker.com

BE/LU – Belgium, Nivelles
Tel: +32 (0)67 280 900
parker.belgium@parker.com

BG – Bulgaria, Sofia
Tel: +359 2 980 1344
parker.bulgaria@parker.com

BY – Belarus, Minsk
Tel: +48 (0)22 573 24 00
parker.poland@parker.com

CH – Switzerland, Etoy
Tel: +41 (0)21 821 87 00
parker.switzerland@parker.com

CZ – Czech Republic, Klecany
Tel: +420 284 083 111
parker.czechrepublic@parker.com

DE – Germany, Kaarst
Tel: +49 (0)2131 4016 0
parker.germany@parker.com

DK – Denmark, Ballerup
Tel: +45 43 56 04 00
parker.denmark@parker.com

ES – Spain, Madrid
Tel: +34 902 330 001
parker.spain@parker.com

FI – Finland, Vantaa
Tel: +358 (0)20 753 2500
parker.finland@parker.com

FR – France, Contamine s/Arve
Tel: +33 (0)4 50 25 80 25
parker.france@parker.com

GR – Greece, Athens
Tel: +30 210 933 6450
parker.greece@parker.com

HU – Hungary, Budaörs
Tel: +36 23 885 470
parker.hungary@parker.com

IE – Ireland, Dublin
Tel: +353 (0)1 466 6370
parker.ireland@parker.com

IT – Italy, Corsico (MI)
Tel: +39 02 45 19 21
parker.italy@parker.com

KZ – Kazakhstan, Almaty
Tel: +7 7273 561 000
parker.easteurope@parker.com

NL – The Netherlands, Oldenzaal
Tel: +31 (0)541 585 000
parker.nl@parker.com

NO – Norway, Asker
Tel: +47 66 75 34 00
parker.norway@parker.com

PL – Poland, Warsaw
Tel: +48 (0)22 573 24 00
parker.poland@parker.com

PT – Portugal, Leca da Palmeira
Tel: +351 22 999 7360
parker.portugal@parker.com

RO – Romania, Bucharest
Tel: +40 21 252 1382
parker.romania@parker.com

RU – Russia, Moscow
Tel: +7 495 645-2156
parker.russia@parker.com

SE – Sweden, Spånga
Tel: +46 (0)8 59 79 50 00
parker.sweden@parker.com

SK – Slovakia, Banská Bystrica
Tel: +421 484 162 252
parker.slovakia@parker.com

SL – Slovenia, Novo Mesto
Tel: +386 7 337 6650
parker.slovenia@parker.com

TR – Turkey, Istanbul
Tel: +90 216 4997081
parker.turkey@parker.com

UA – Ukraine, Kiev
Tel: +48 (0)22 573 24 00
parker.poland@parker.com

UK – United Kingdom, Warwick
Tel: +44 (0)1926 317 878
parker.uk@parker.com

ZA – South Africa, Kempton Park
Tel: +27 (0)11 961 0700
parker.southafrica@parker.com

North America

CA – Canada, Milton, Ontario
Tel: +1 905 693 3000

US – USA, Cleveland
Tel: +1 216 896 3000

Asia Pacific

AU – Australia, Castle Hill
Tel: +61 (0)2-9634 7777

CN – China, Shanghai
Tel: +86 21 2899 5000

HK – Hong Kong
Tel: +852 2428 8008

IN – India, Mumbai
Tel: +91 22 6513 7081-85

JP – Japan, Tokyo
Tel: +81 (0)3 6408 3901

KR – South Korea, Seoul
Tel: +82 2 559 0400

MY – Malaysia, Shah Alam
Tel: +60 3 7849 0800

NZ – New Zealand, Mt Wellington
Tel: +64 9 574 1744

SG – Singapore
Tel: +65 6887 6300

TH – Thailand, Bangkok
Tel: +662 186 7000

TW – Taiwan, Taipei
Tel: +886 2 2298 8987

South America

AR – Argentina, Buenos Aires
Tel: +54 3327 44 4129

BR – Brazil, Sao Jose dos Campos
Tel: +55 800 727 5374

CL – Chile, Santiago
Tel: +56 2 623 1216

MX – Mexico, Toluca
Tel: +52 72 2275 4200

We reserve the right to make technical changes. The data correspond to the technical state at the time of printing.
© 2015 Parker Hannifin Corporation.
All rights reserved.

192-590015N9

February 2016



EMEA Product Information Centre

Free phone: 00 800 27 27 5374

(from AT, BE, CH, CZ, DE, DK, EE, ES, FI, FR, IE, IL, IS, IT, LU, MT, NL, NO, PL, PT, RU, SE, SK, UK, ZA)

US Product Information Centre

Toll-free number: 1-800-27 27 537

www.parker.com

Your local authorized Parker distributor