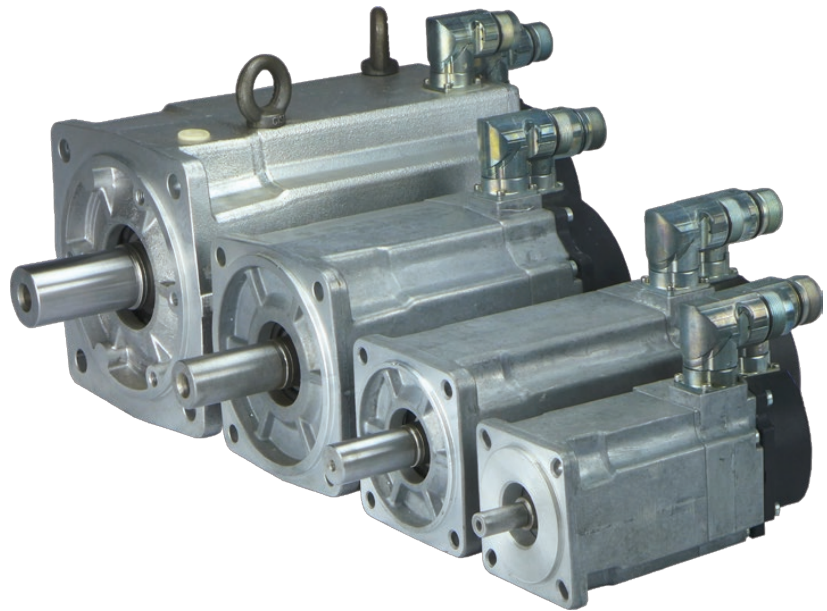
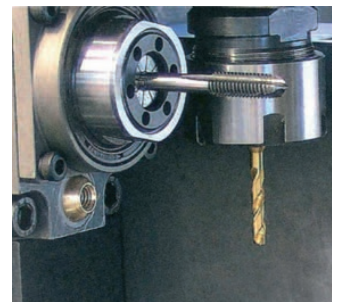


aerospace
climate control
electromechanical
filtration
fluid & gas handling
hydraulics
pneumatics
process control
sealing & shielding



NV Series

High Speed Servo Motor



ENGINEERING YOUR SUCCESS.



WARNING – USER RESPONSIBILITY

FAILURE OR IMPROPER SELECTION OR IMPROPER USE OF THE PRODUCTS DESCRIBED HEREIN OR RELATED ITEMS CAN CAUSE DEATH, PERSONAL INJURY AND PROPERTY DAMAGE.

- This document and other information from Parker-Hannifin Corporation, its subsidiaries and authorized distributors provide product or system options for further investigation by users having technical expertise.
- The user, through its own analysis and testing, is solely responsible for making the final selection of the system and components and assuring that all performance, endurance, maintenance, safety and warning requirements of the application are met. The user must analyze all aspects of the application, follow applicable industry standards, and follow the information concerning the product in the current product catalog and in any other materials provided from Parker or its subsidiaries or authorized distributors.
- To the extent that Parker or its subsidiaries or authorized distributors provide component or system options based upon data or specifications provided by the user, the user is responsible for determining that such data and specifications are suitable and sufficient for all applications and reasonably foreseeable uses of the components or systems.

High Speed Servo Motor - NV Series

Overview	5
Technical Data	6
Drive Association	6
Dimensions	7
Options	8
Order Code	9
NV Series.....	9
Cables.....	10

Parker Hannifin

The global leader in motion and control technologies

A world class player on a local stage

Global Product Design

Parker Hannifin has more than 40 years experience in the design and manufacturing of drives, controls, motors and mechanical products. With dedicated global product development teams, Parker draws on industry-leading technological leadership and experience from engineering teams in Europe, North America and Asia.

Local Application Expertise

Parker has local engineering resources committed to adapting and applying our current products and technologies to best fit our customers' needs.

Manufacturing to Meet Our Customers' Needs

Parker is committed to meeting the increasing service demands that our customers require to succeed in the global industrial market. Parker's manufacturing teams seek continuous improvement through the implementation of lean manufacturing methods throughout the process. We measure ourselves on meeting our customers' expectations of quality and delivery, not just our own. In order to meet these expectations, Parker operates and continues to invest in our manufacturing facilities in Europe, North America and Asia.

Electromechanical Worldwide Manufacturing Locations

Europe

Littlehampton, United Kingdom
 Dijon, France
 Offenburg, Germany
 Filderstadt, Germany
 Milan, Italy

Asia

Wuxi, China
 Jangan, Korea
 Chennai, India

North America

Rohnert Park, California
 Irwin, Pennsylvania
 Charlotte, North Carolina
 New Ulm, Minnesota



Offenburg, Germany

Local Manufacturing and Support in Europe

Parker provides sales assistance and local technical support through a network of dedicated sales teams and authorized technical distributors throughout Europe.

For contact information, please refer to the Sales Offices on the back cover of this document or visit www.parker.com



Milan, Italy



Littlehampton, UK



Filderstadt, Germany



Dijon, France

High Speed Servo Motor - NV Series

Overview

Description

The NV series is a range of compact servomotors specially designed for high speed operation. NV motors are balanced with high accuracy to minimize the level of vibration and to increase their service life, making them particularly suitable for auxiliary spindle applications on machine tools. NV motors feature high dynamic performance and torque densities, while taking advantage of a large variety of options and customization possibilities. Available in kit version on request

Advantages

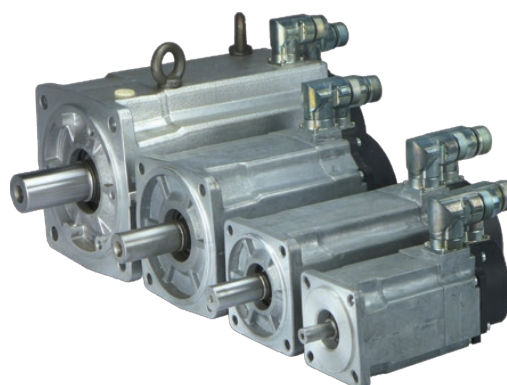
- High-Speed capabilities, precise and accurate positioning, high dynamic performance
- Compact and robust
- Design flexibility

Application

- Special Machines
- Tooling Machines
- Test Benches
- Sprayers
- Centrifuges

Features

- **Mounting**
 - Flange with clearance holes
- **Mechanical interface**
 - Solid smooth shaft
- **Feedback sensor**
 - 2 pole resolver (standard)
 - Absolute encoders: Hiperface (option)
 - Without sensor (option)
- **Connections**
 - Connectors (standard)
 - Cables (option)
 - Terminal box (fan cooled motors)
- **Options**
 - Thermal protection (PTC, KTY)



Technical Characteristics - Overview

Motor type	Synchronous permanent magnet servomotors
Poles number	10
Voltage supply	230 VAC or 400 VAC
Power range	0.7...11 kW
Torque range	0.4...11.5 Nm
Speed range	7000...17 000 min ⁻¹
Ingress protection level (IEC60034-5)	<ul style="list-style-type: none"> • IP64 (standard) • IP65 (option) • IP67 (on request)
Cooling method	<ul style="list-style-type: none"> • Natural ventilation (standard) • Fan cooling (NV860V) • Water cooled up to 60 kW (on request)
Temperature class (IEC60034-1)	Class F

Technical Data

Model	Size	Stall ⁽¹⁾		Nominal ⁽¹⁾				Peak ⁽¹⁾	Inertia	Ke ^{(2) (3)}	Kt ^{(2) (3)}
		Torque	Current	Power	Torque	Speed	Current	Torque	No brake		
		T ₀ [Nm]	I ₀ [A]	P _n [kW]	T _n [Nm]	n [min ⁻¹]	I _n [A]	T _{max} [Nm]	J [kgmm ²]	Ke [Vs]	Kt [Nm/A _{rms}]
230VAC power supply - single or three-phased											
NV310EAW	71	0.9	5.13	0.73	0.41	17 000	2.78	1.8	73.4	11.1	0.175
400 VAC power supply - three-phased											
NV420EAI	91.5	1.9	5.25	1.4	0.95	14 000	2.78	2.87	290	22.1	0.362
NV430EAH	91.5	2.5	5.63	1.5	1.3	11 000	3.48	3.78	426	28	0.444
NV620EAJ	121	3.5	9.86	1.8	1.6	11 000	5.02	5.42	900	23.8	0.355
NV630EAI	121	5.5	11.1	2.0	1.9	10 000	4.34	8.51	1300	31.7	0.497
NV820EAN	155	7.6	14.7	3.1	3.3	9 000	7.73	11.5	3100	34.5	0.517
NV840EAJ	155	13.5	19.4	5.5	6.6	8 000	10.5	20.4	5700	43.8	0.697
NV860EAE	155	18.5	28.3	7.3	9.9	7 000	16.3	27.9	8400	41.3	0.653
400 VAC power supply - three-phased - fan cooled											
NV860VAC	155	30	57	11	11.5	9 000	23.7	37	8400	33	0.526

⁽¹⁾ Data referred to motor mounted on aluminium flange: 400 x 400 x 12 mm, Temperature <40 °C near motor's flange. Stall torques refer to motor turning at 100 min⁻¹

⁽²⁾ Data measured at 20 °C. When "hot" consider -0.09 %/K derating

⁽³⁾ Manufacturing tolerance data ±10 %

Drive Association

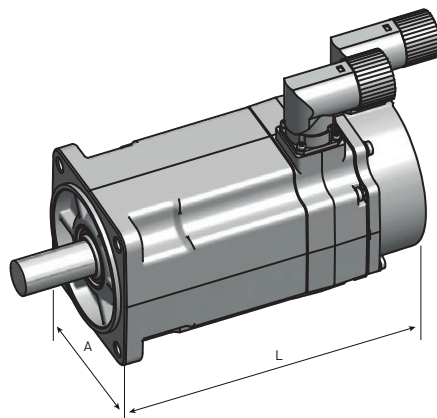
Motor	Associated Drive Sizes			AC30
	PSD1	Compax3	AC890	
230VAC power supply - single or three-phased				
NV310EAW	PSD1SW1300... ⁽¹⁾	C3S063V2... ⁽²⁾	890SD-231700B0-B00-1A500 ⁽²⁾	-
400 VAC power supply - three-phased				
NV420EAI	PSD1MW1400... ⁽¹⁾	C3S075V4... ⁽²⁾	890SD-532100B0-B00-1A500 ⁽²⁾	31V-4D0008
NV430EAH	PSD1MW1400... ⁽¹⁾	C3S075V4...	890SD-532100B0-B00-1A500	31V-4D0008
NV620EAJ	PSD1MW1600... ⁽¹⁾	C3S150V4...	890SD-532160B0-B00-1A500	31V-4D0012
NV630EAI	PSD1MW1600... ⁽¹⁾	C3S150V4...	890SD-532160B0-B00-1A500	31V-4E0016
NV820EAN	PSD1MW1600... ⁽¹⁾	C3S150V4...	890SD-53216SB0-B00-1A500	31V-4E0023
NV840EAJ	PSD1MW1800... ⁽¹⁾	C3S300V4...	890SD-532240C0-B00-1A500	31V-4F0032
NV860EAE	PSD1MW1800...	C3S300V4...	890SD-532240C0-B00-1A500	31V-4G0045
400 VAC power supply - three-phased - fan cooled				
NV860VAC	-	C3H090V4...	890SD-532590D0-B00-1A500	31V-4H0105

⁽¹⁾ max. speed: 7 200 min⁻¹

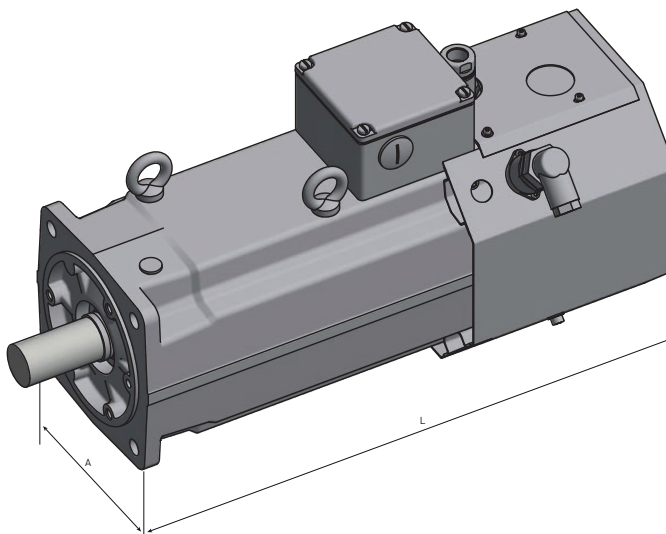
⁽²⁾ max. speed: 12 000 min⁻¹

Dimensions (resolver version)

Motor	A	Mounting Flange centering / interaxis hole	Shaft diameter x length	L	Weight	Fr* [N]	Fa* [N]
	[mm]	[mm]	[mm]	[mm]	[kg]		
NV310	71	60 / 75-80	11 x 23	147	2	170	70
NV420	91.5	80 / 100	19 x 40	175	3.7	380	30
NV430	91.5	80 / 100	19 x 40	200	4.6	395	35
NV620	121	110 / 130	24 x 50	181	6.9	380	180
NV630	121	110 / 130	24 x 50	210	8.8	400	190
NV820	155	130 / 165	32 x 58	200	13	950	50
NV840	155	130 / 165	32 x 58	260	20	1050	80
NV860	155	130 / 165	32 x 58	320	27	1100	100



Motor	A	Mounting Flange centering / interaxis hole	Shaft diameter x length	L	Weight	Fr* [N]	Fa* [N]
	[mm]	[mm]	[mm]	[mm]	[kg]		
NV860V	185	130 / 165	32 x 58	424	30.5	1100	100



* Fr and Fa not cumulative: At 10000 rpm (NV3,4 et 6) or 5000 rpm (NV8), for a bearing servicing life of 20 000h. At maximum speed, no axial load should be applied on motor's shaft, under penalty of shortening the servicing life.

Options

Feedback Sensors

2 poles resolver - option A

- Accuracy: $\pm 10'$ max
- Transformation ratio: $0.5 \pm 5 \%$
- Max. operating speed: $17\,000 \text{ min}^{-1}$
- Working temperature range: $-55\dots+155 \text{ }^\circ\text{C}$

Single turn / Multiturn absolute encoder HIPERFACE SKS/SKM 36 - option R/S

- Number of sine/cosine periods per revolution: 128
- Absolute position per revolution: 4096 (12 bits)
- Number of absolutely encodable revolutions: 4096 (SKM36)
- Max. operating speed SKS36: $12\,000 \text{ min}^{-1}$
- Max. operating speed SKM36: $9\,000 \text{ min}^{-1}$
- Working temperature range: $-20\dots+110 \text{ }^\circ\text{C}$

Single turn / Multiturn absolute encoder HIPERFACE DSL SIL2 EKS/EKM36 - option P/Q

- Absolute position per revolution: 262 144 (18 bits)
- Number of absolutely encodable revolutions: 4096 (EKM36)
- Max. operating speed EKS36: $12\,000 \text{ min}^{-1}$
- Max. operating speed EKM36: $9\,000 \text{ min}^{-1}$
- Working temperature range: $-20\dots+115 \text{ }^\circ\text{C}$

Order Code

NV Series

	1	2	3	4	5	6	7
Order example	NV310E	A	R	7	0	0	0

1 Motor type	NV310E NV420E NV430E see table "Technical Data" ... NV860V
2 Feedback sensor	A 2 pole resolver (standard) Max. speed 17 000 min ⁻¹ R HIPERFACE encoder 128 ppr SKS36 Max. speed 12 000 min ⁻¹ S Absolute multi-turn HIPERFACE encoder 128 ppr SKM36 Max. speed 9 000 min ⁻¹ P Absolute single-turn HIPERFACE DSL SIL2 encoder EKS36 Max. speed 12 000 min ⁻¹ Q Absolute multi-turn HIPERFACE DSL SIL2 encoder EKM36 Max. speed 9 000 min ⁻¹
3 Painting	R Unpainted (standard) B Black mat (on request)
4 Connections / Ventilation	1 Shielded cables / No 7 Connectors (standard) / No 9 Terminal boxes / Yes
5 Thermal protection	0 Without protection (standard) 1 PTC on power connector A PTC on sensor connector C KTY on sensor connector
6 Protection degree	0 IP64 (standard) 1 IP65
7 Fix code	0

High Speed Servo Motor - NV Series
Cables

Cables

Motor cable

Drive	Cable reference ^(*)	
	Current ≤ 15 A	Current ≤ 21 A
With or without brake		
Compax3	CC3UP1F1R0xxx	CC3UP2F1R0xxx
AC890	CS4UP1F1R0xxx	CS4UP2F1R0xxx
With or without brake & thermal sensor		
Compax3	CC3UQ1F1R0xxx	CC3UQ2F1R0xxx
AC890	CS4UQ1F1R0xxx	CS4UQ2F1R0xxx
With or without brake & Hiperface DSL encoder		
PSD1	CP1UD1F1R0xxx	CP1UD2F1R0xxx

Feedback cable

Drive	Cable reference ^(*)	
	Resolver	Hiperface encoder
Compax3	CC3UA1F1R0xxx	CC3UR1F1R0xxx
AC890	CS4UA1F1R0xxx	-

(*) The 3 last digits indicate cable length in meters ±5 %max
For non-standard length cable with length different from: 1/2/3/4/5/10/15/20/25/30/40/50 m please contact us.
Example CC3UP1F1R0015: power cable, length = 15 m.





Parker's Motion & Control Technologies

At Parker, we're guided by a relentless drive to help our customers become more productive and achieve higher levels of profitability by engineering the best systems for their requirements. It means looking at customer applications from many angles to find new ways to create value. Whatever the motion and control technology need, Parker has the experience, breadth of product and global reach to consistently deliver. No company knows more about motion and control technology than Parker. For further info call 00800 27 27 5374



Aerospace

Key Markets

Airmarket services
Commercial transports
Engines
General & business aviation
Helicopters
Launch vehicles
Military aircraft
Missiles
Power generation
Regional transports
Unmanned aerial vehicles

Key Products

Control systems & actuation products
Engine systems & components
Fluid conveyance systems & components
Fluid metering, delivery & atomization devices
Fuel systems & components
Fuel tank inerting systems
Hydraulic systems & components
Thermal management
Wheels & brakes



Climate Control

Key Markets

Agriculture
Air conditioning
Construction Machinery
Food & beverage
Industrial machinery
Life sciences
Oil & gas
Precision cooling
Process
Refrigeration
Transportation

Key Products

Accumulators
Advanced actuators
CO₂ controls
Electronic controllers
Filter driers
Hand shut-off valves
Heat exchangers
Hose & fittings
Pressure regulating valves
Refrigerant distributors
Safety relief valves
Smart pumps
Solenoid valves
Thermostatic expansion valves



Electromechanical

Key Markets

Aerospace
Factory automation
Life science & medical
Machine tools
Packaging machinery
Paper machinery
Plastics machinery & converting
Primary metals
Semiconductor & electronics
Textile
Wire & cable

Key Products

AC/DC drives & systems
Electric actuators, gantry robots & slides
Electrohydraulic actuation systems
Electromechanical actuation systems
Human machine interface
Linear motors
Stepper motors, servo motors, drives & controls
Structural extrusions



Filtration

Key Markets

Aerospace
Food & beverage
Industrial plant & equipment
Life sciences
Marine
Mobile equipment
Oil & gas
Power generation & renewable energy
Process
Transportation
Water Purification

Key Products

Analytical gas generators
Compressed air filters & dryers
Engine air, coolant, fuel & oil filtration systems
Fluid condition monitoring systems
Hydraulic & lubrication filters
Hydrogen, nitrogen & zero air generators
Instrumentation filters
Membrane & fiber filters
Microfiltration
Sterile air filtration
Water desalination & purification filters & systems



Fluid & Gas Handling

Key Markets

Aerial lift
Agriculture
Bulk chemical handling
Construction machinery
Food & beverage
Fuel & gas delivery
Industrial machinery
Life sciences
Marine
Mining
Mobile
Oil & gas
Renewable energy
Transportation

Key Products

Check valves
Connectors for low pressure fluid conveyance
Deep sea umbilicals
Diagnostic equipment
Hose couplings
Industrial hose
Mooring systems & power cables
PTFE hose & tubing
Quick couplings
Rubber & thermoplastic hose
Tube fittings & adapters
Tubing & plastic fittings



Hydraulics

Key Markets

Aerial lift
Agriculture
Alternative energy
Construction machinery
Forestry
Industrial machinery
Machine tools
Marine
Material handling
Mining
Oil & gas
Power generation
Refuse vehicles
Renewable energy
Truck hydraulics
Turf equipment

Key Products

Accumulators
Cartridge valves
Electrohydraulic actuators
Human machine interfaces
Hybrid drives
Hydraulic cylinders
Hydraulic motors & pumps
Hydraulic systems
Hydraulic valves & controls
Hydrostatic steering
Integrated hydraulic circuits
Power take-offs
Power units
Rotary actuators
Sensors



Pneumatics

Key Markets

Aerospace
Conveyor & material handling
Factory automation
Life science & medical
Machine tools
Packaging machinery
Transportation & automotive

Key Products

Air preparation
Brass fittings & valves
Manifolds
Pneumatic accessories
Pneumatic actuators & grippers
Pneumatic valves & controls
Quick disconnects
Rotary actuators
Rubber & thermoplastic hose & couplings
Structural extrusions
Thermoplastic tubing & fittings
Vacuum generators, cups & sensors



Process Control

Key Markets

Alternative fuels
Biopharmaceuticals
Chemical & refining
Food & beverage
Marine & shipbuilding
Medical & dental
Microelectronics
Nuclear Power
Offshore oil exploration
Oil & gas
Pharmaceuticals
Power generation
Pulp & paper
Steel
Water/wastewater

Key Products

Analytical Instruments
Analytical sample conditioning products & systems
Chemical injection fittings & valves
Fluoropolymer chemical delivery fittings, valves & pumps
High purity gas delivery fittings, valves, regulators & digital flow controllers
Industrial mass flow meters/controllers
Permanent no-weld tube fittings
Precision industrial regulators & flow controllers
Process control double block & bleeds
Process control fittings, valves, regulators & manifold valves



Sealing & Shielding

Key Markets

Aerospace
Chemical processing
Consumer
Fluid power
General industrial
Information technology
Life sciences
Microelectronics
Military
Oil & gas
Power generation
Renewable energy
Telecommunications
Transportation

Key Products

Dynamic seals
Elastomeric o-rings
Electro-medical instrument design & assembly
EMI shielding
Extruded & precision-cut, fabricated elastomeric seals
High temperature metal seals
Homogeneous & inserted elastomeric shapes
Medical device fabrication & assembly
Metal & plastic retained composite seals
Shielded optical windows
Silicone tubing & extrusions
Thermal management
Vibration dampening

Parker Worldwide

Europe, Middle East, Africa

AE – United Arab Emirates, Dubai
Tel: +971 4 8127100
parker.me@parker.com

AT – Austria, Wiener Neustadt
Tel: +43 (0)2622 23501-0
parker.austria@parker.com

AT – Eastern Europe, Wiener Neustadt
Tel: +43 (0)2622 23501 900
parker.easteurope@parker.com

AZ – Azerbaijan, Baku
Tel: +994 50 2233 458
parker.azerbaijan@parker.com

BE/LU – Belgium, Nivelles
Tel: +32 (0)67 280 900
parker.belgium@parker.com

BG – Bulgaria, Sofia
Tel: +359 2 980 1344
parker.bulgaria@parker.com

BY – Belarus, Minsk
Tel: +48 (0)22 573 24 00
parker.poland@parker.com

CH – Switzerland, Etoy
Tel: +41 (0)21 821 87 00
parker.switzerland@parker.com

CZ – Czech Republic, Klecany
Tel: +420 284 083 111
parker.czechrepublic@parker.com

DE – Germany, Kaarst
Tel: +49 (0)2131 4016 0
parker.germany@parker.com

DK – Denmark, Ballerup
Tel: +45 43 56 04 00
parker.denmark@parker.com

ES – Spain, Madrid
Tel: +34 902 330 001
parker.spain@parker.com

FI – Finland, Vantaa
Tel: +358 (0)20 753 2500
parker.finland@parker.com

FR – France, Contamine s/Arve
Tel: +33 (0)4 50 25 80 25
parker.france@parker.com

GR – Greece, Athens
Tel: +30 210 933 6450
parker.greece@parker.com

HU – Hungary, Budaörs
Tel: +36 23 885 470
parker.hungary@parker.com

IE – Ireland, Dublin
Tel: +353 (0)1 466 6370
parker.ireland@parker.com

IL – Israel
Tel: +39 02 45 19 21
parker.israel@parker.com

IT – Italy, Corsico (MI)
Tel: +39 02 45 19 21
parker.italy@parker.com

KZ – Kazakhstan, Almaty
Tel: +7 7273 561 000
parker.easteurope@parker.com

NL – The Netherlands, Oldenzaal
Tel: +31 (0)541 585 000
parker.nl@parker.com

NO – Norway, Asker
Tel: +47 66 75 34 00
parker.norway@parker.com

PL – Poland, Warsaw
Tel: +48 (0)22 573 24 00
parker.poland@parker.com

PT – Portugal
Tel: +351 22 999 7360
parker.portugal@parker.com

RO – Romania, Bucharest
Tel: +40 21 252 1382
parker.romania@parker.com

RU – Russia, Moscow
Tel: +7 495 645-2156
parker.russia@parker.com

SE – Sweden, Spånga
Tel: +46 (0)8 59 79 50 00
parker.sweden@parker.com

SK – Slovakia, Banská Bystrica
Tel: +421 484 162 252
parker.slovakia@parker.com

SL – Slovenia, Novo Mesto
Tel: +386 7 337 6650
parker.slovenia@parker.com

TR – Turkey, Istanbul
Tel: +90 216 4997081
parker.turkey@parker.com

UA – Ukraine, Kiev
Tel: +48 (0)22 573 24 00
parker.poland@parker.com

UK – United Kingdom, Warwick
Tel: +44 (0)1926 317 878
parker.uk@parker.com

ZA – South Africa, Kempton Park
Tel: +27 (0)11 961 0700
parker.southafrica@parker.com

North America

CA – Canada, Milton, Ontario
Tel: +1 905 693 3000

US – USA, Cleveland
Tel: +1 216 896 3000

Asia Pacific

AU – Australia, Castle Hill
Tel: +61 (0)2-9634 7777

CN – China, Shanghai
Tel: +86 21 2899 5000

HK – Hong Kong
Tel: +852 2428 8008

IN – India, Mumbai
Tel: +91 22 6513 7081-85

JP – Japan, Tokyo
Tel: +81 (0)3 6408 3901

KR – South Korea, Seoul
Tel: +82 2 559 0400

MY – Malaysia, Shah Alam
Tel: +60 3 7849 0800

NZ – New Zealand, Mt Wellington
Tel: +64 9 574 1744

SG – Singapore
Tel: +65 6887 6300

TH – Thailand, Bangkok
Tel: +662 186 7000

TW – Taiwan, Taipei
Tel: +886 2 2298 8987

South America

AR – Argentina, Buenos Aires
Tel: +54 3327 44 4129

BR – Brazil, Sao Jose dos Campos
Tel: +55 800 727 5374

CL – Chile, Santiago
Tel: +56 2 623 1216

MX – Mexico, Toluca
Tel: +52 72 2275 4200

We reserve the right to make technical changes. The data correspond to the technical state at the time of printing.
© 2016 Parker Hannifin Corporation. All rights reserved.

192-063003N4

12/2016



EMEA Product Information Centre

Free phone: 00 800 27 27 5374

(from AT, BE, CH, CZ, DE, DK, EE, ES, FI, FR, IE, IL, IS, IT, LU, MT, NL, NO, PL, PT, RU, SE, SK, UK, ZA)

US Product Information Centre

Toll-free number: 1-800-27 27 537

www.parker.com

Your local authorized Parker distributor