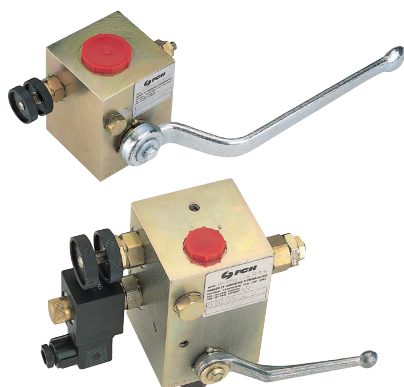


Safety Blocks

Carbon & Stainless Steel



Why use a safety block?

Accident prevention authorities recommend the fitting of a pressure relief valve to gas loaded hydraulic accumulators. The OLAER Fawcett Christie range of carbon steel safety blocks include features to make the installation, operation and maintenance of gas loaded hydraulic accumulators convenient and safe.

Carbon Steel (345 Bar)

Pressure

Maximum working pressure: 345 bar

Materials

Carbon steel. All blocks are fully tested.

Seals

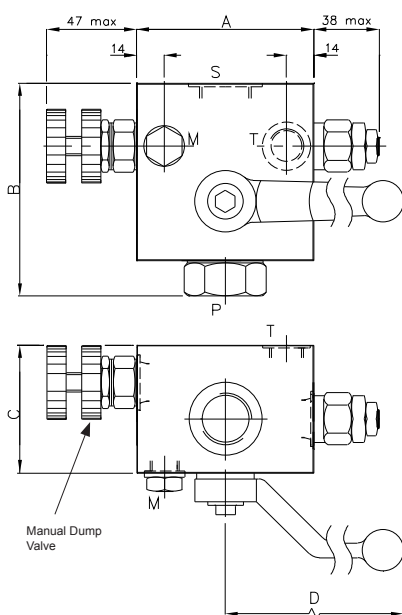
Nitrile fitted as standard. Viton and other options also available.

Connections

- Pressure gauge connection (M port).
- Wide range of adaptors for accumulator connection.
- All G threads (BSP) to BS2779 1986. Performance data available.

Other

- Pressure relief valve for the protection of accumulator.
- Manual dump to tank valve as standard.
- Optional additional electromagnetic dump to tank valve.



Port sizes

Size	Port Sizes				Dimensions mm - for standard (01) safety block			
	S port Accum.	P port process	T port tank	M port gauge	A	B	C	D handle length
ECA12	G 1/2"	G 1/2"	G 1/4"	G 1/4"	76	93	60	115
ECA20	G 3/4"	G 3/4"	G 3/8"	G 1/4"	90	108	70	160
ECA32	G 1 1/4"	G 1 1/4"	G 3/8"	G 1/4"	90	131	90	300

For dimensions of (02) safety block with additional solenoid valve contact the sales office.

The information in this datasheet is subject to change without prior notice.

Safety Block - Carbon Steel

Model numbers

ECA12 - 01 - L - N

Model Type & Size

Dump to tank valve (type)

- 01 = Mechanical
- 02 = Mechanical & Electrical

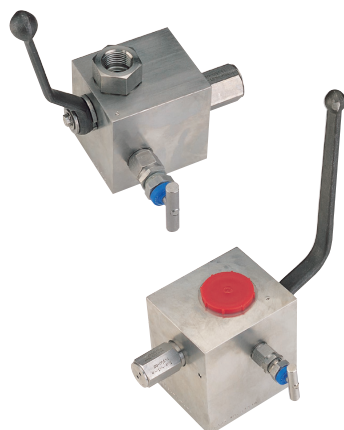
Seal Material

- L = Nitrile
- V = Fluorocarbon

Special Requirements

- N = None
- A = 110v AC
- G = 24v DC
- B = 220v AC

The information in this datasheet is subject to change without prior notice.



Stainless Steel Safety Block

Materials

316 Stainless steel. All blocks are fully tested.

Seals

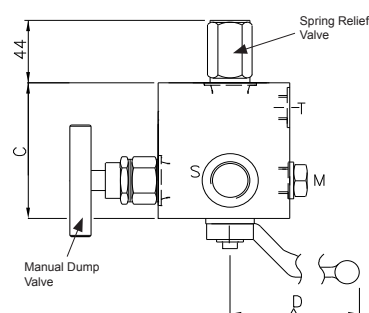
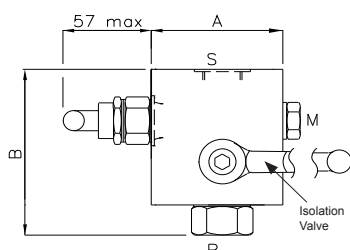
Nitrile fitted as standard. Viton and other options also available.

Connections

- Pressure gauge connection (M port).
- Wide range of adaptors for accumulator connection.
- All G threads (BSP) to BS2779 1986.
- For 760 bar only - All NPT to ANSI/ASME B.1.20.1 1983
- Performance data available.

Other

- Pressure relief valve for the protection of accumulator.
- Manual dump to tank valve as standard.



345 bar

Port sizes

Size	Port Sizes				Dimensions mm - for standard (01) safety block			
	S port Accum.	P port process	T port tank	M port gauge	A	B	C	D handle length
ECSA12	G 1/2"	G 1/2"	G 1/4"	G 1/4"	65	94	76	115
ECSA20	G 3/4"	G 3/4"	G 3/8"	G 1/4"	70	108	90	160
ECSA32	G1 1/4"	G1 1/4"	G 3/8"	G 1/4"	90	131	105	300

690 bar

Port sizes

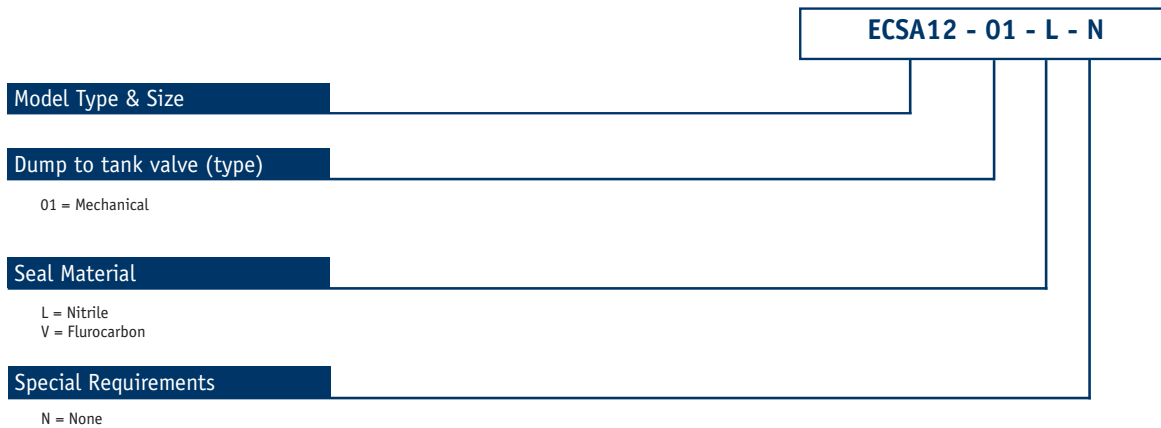
Size	Port Sizes				Dimensions mm - for standard (01) safety block			
	S port Accum.	P port process	T port tank	M port gauge	A	B	C	D handle length
ECSA12	1/2	1/2	1/4"	1/4"	70	94	85	115

- All NPT to ANSI/ASME B.1.20.1 1983
- All G threads (BSP) to BS2779 1986

The information in this datasheet is subject to change without prior notice.

Safety Block - Stainless Steel

Model numbers (345 bar)



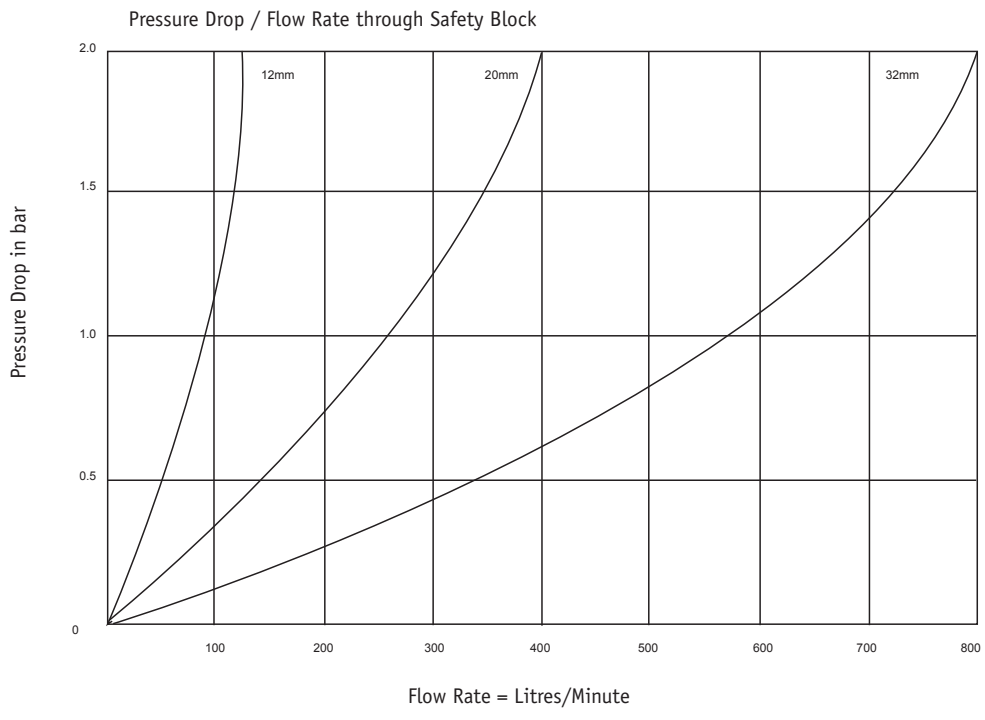
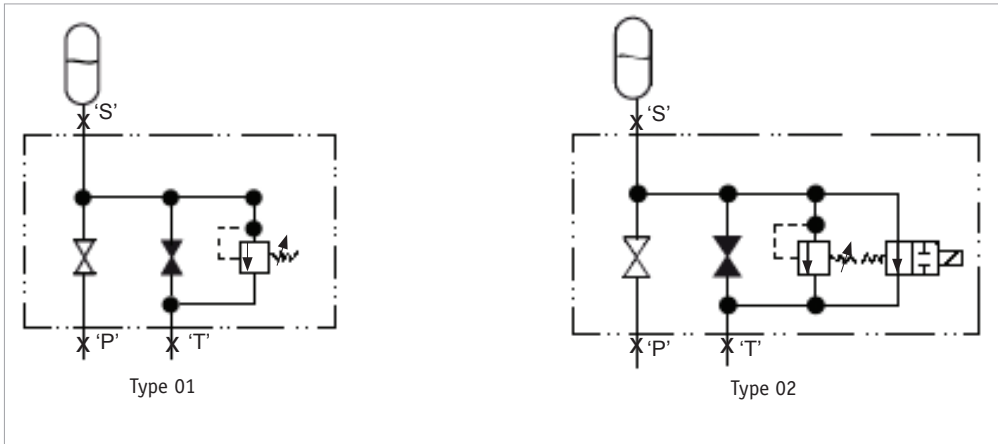
Safety Block - Stainless Steel

Model numbers (690 bar)



The information in this datasheet is subject to change without prior notice.

Pressure curves for ECA/ECSA safety blocks



The information in this datasheet is subject to change without prior notice.