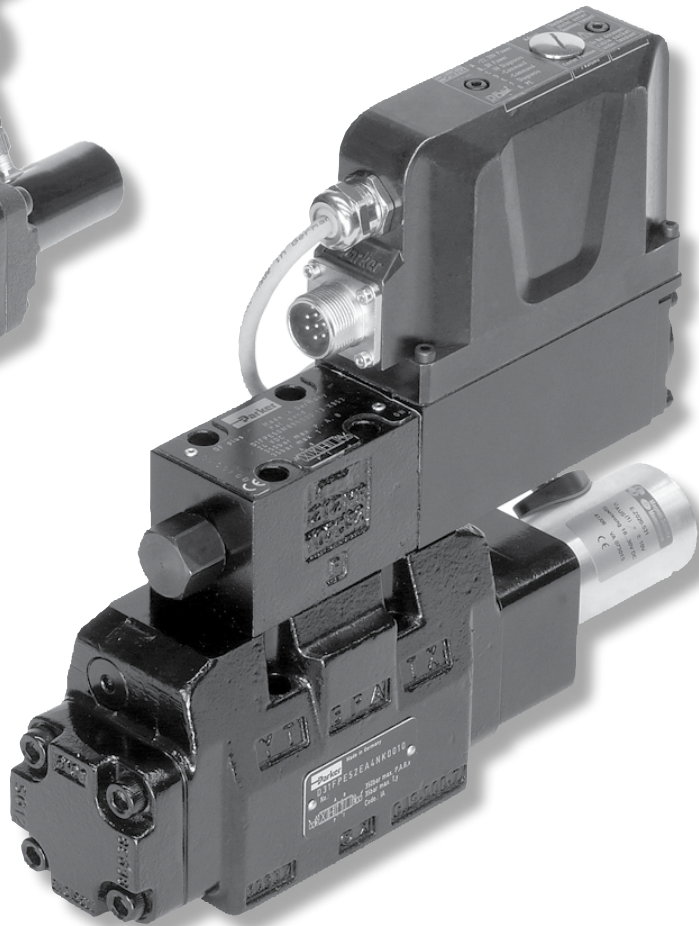


D*1FC



D*1FP

Conversion Guide Series D*1FH to D*1FC or D*1FP

Electrohydraulic Proportional DC Valves

Bulletin HY14-2560/US



ENGINEERING YOUR SUCCESS.

 **WARNING – USER RESPONSIBILITY**

FAILURE OR IMPROPER SELECTION OR IMPROPER USE OF THE PRODUCTS DESCRIBED HEREIN OR RELATED ITEMS CAN CAUSE DEATH, PERSONAL INJURY AND PROPERTY DAMAGE.

- This document and other information from Parker-Hannifin Corporation, its subsidiaries and authorized distributors provide product or system options for further investigation by users having technical expertise.
- The user, through its own analysis and testing, is solely responsible for making the final selection of the system and components and assuring that all performance, endurance, maintenance, safety and warning requirements of the application are met. The user must analyze all aspects of the application, follow applicable industry standards, and follow the information concerning the product in the current product catalog and in any other materials provided from Parker or its subsidiaries or authorized distributors.
- To the extent that Parker or its subsidiaries or authorized distributors provide component or system options based upon data or specifications provided by the user, the user is responsible for determining that such data and specifications are suitable and sufficient for all applications and reasonably foreseeable uses of the components or systems.

OFFER OF SALE

The items described in this document are hereby offered for sale by Parker-Hannifin Corporation, its subsidiaries or its authorized distributors. This offer and its acceptance are governed by the provisions stated in the detailed "Offer of Sale" elsewhere in this document or available at www.parker.com/hydraulicvalve.

SAFETY GUIDE

For safety information, see Safety Guide SG HY14-1000 at www.parker.com/safety or call 1-800-CParker.

© Copyright 2015, Parker Hannifin Corporation, All Rights Reserved



D*1FH Old Part Number	D*1FC / D*1FP New Part Number	Comments
D31FHA60C2VB00	D31FPA61DC2VB70	
D31FHA60C4NB00	D31FPA61DC4NB70	
D31FHA61C1NB00	D31FPA61DC1NB70	
D31FHA61C4NB00	D31FPA61DC4NB70	
D31FHB31C1NB00	D31FCB31DC1NB70	
D31FHB32A1NB00	D31FCB32DC1NB70	D31FH FLOW = 14.5 GPM@145 PSI, D31FC FLOW = 23.8 GPM@145 PSI
D31FHB32A1NS00	D31FCB32DC1NS70	D31FH FLOW = 14.5 GPM@145 PSI, D31FC FLOW = 23.8 GPM@145 PSI
D31FHB32A4NB00	D31FCB32DC4NB70	D31FH FLOW = 14.5 GPM@145 PSI, D31FC FLOW = 23.8 GPM@145 PSI
D31FHB32C4NS00	D31FCB32DC4NS70	
D31FHB60A4VB00	D31FPB61DC4VB70	D31FH FLOW = 14.5 GPM@145 PSI, D31FP FLOW = 23.8 GPM@145 PSI
D31FHB60A5VB00	D31FPB61DC5VB70	D31FH FLOW = 14.5 GPM@145 PSI, D31FP FLOW = 23.8 GPM@145 PSI
D31FHB60C2NB00	D31FPB61DC2NB70	
D31FHB60C4NB00	D31FPB61DC4NB70	
D31FHB60C4NB20	D31FPB61DC4NB20	
D31FHB61B4NB00	D31FPB61DC4NB70	D31FH FLOW = 17 GPM@145 PSI, D31FP FLOW = 23.8 GPM@145 PSI
D31FHB61C1NB00	D31FPB61DC1NB70	
D31FHB61C4NB00	D31FPB61DC4NB70	
D31FHB61C5NB00	D31FPB61DC5NB70	
D31FHB63A4NB00	D31FPB63DC4NB70	D31FH FLOW = 14.5 GPM@145 PSI, D31FP FLOW = 23.8 GPM@145 PSI
D31FHB63A4NB20	D31FPB63DC4NB20	D31FH FLOW = 14.5 GPM@145 PSI, D31FP FLOW = 23.8 GPM@145 PSI
D31FHB63A5NB00	D31FPB63DC5NB70	D31FH FLOW = 14.5 GPM@145 PSI, D31FP FLOW = 23.8 GPM@145 PSI
D31FHB63C4NB20	D31FPB63DC4NB20	
D31FHB63C5NB00	D31FPB63DC5NB70	
D31FHE01A1NB00	D31FCE01DC1NB70	D31FH FLOW = 14.5 GPM@145 PSI, D31FC FLOW = 23.8 GPM@145 PSI
D31FHE01C1NB00	D31FCE01DC1NB70	
D31FHE01C1NE00	D31FCE01DC1NE70	
D31FHE01C1VB00	D31FCE01DC1VB70	
D31FHE01C4NB00	D31FCE01DC4NB70	
D31FHE01C4VB00	D31FCE01DC4VB70	
D31FHE01C4VE00	D31FCE01DC4VE70	
D31FHE02A4NB00	D31FCE02DC4NB70	D31FH FLOW = 14.5 GPM@145 PSI, D31FC FLOW = 23.8 GPM@145 PSI

D*1FH Old Part Number	D*1FC / D*1FP New Part Number	Comments
D31FHE02C1NB00	D31FCE02DC1NB70	
D31FHE02C1NS00	D31FCE02DC1NS70	
D31FHE02C1VB00	D31FCE02DC1VB70	
D31FHE02C4NB00	D31FCE02DC4NB70	
D31FHE02C4NE00	D31FCE02DC4NE70	
D31FHE02C4NS00	D31FCE02DC4NS70	
D31FHE02C4VB00	D31FCE02DC4VB70	
D31FHE02C4VE00	D31FCE02DC4VE70	
D31FHE50A1VB00	D31FPE52DC1VB70	D31FH FLOW = 14.5 GPM@145 PSI, D31FP FLOW = 23.8 GPM@145 PSI
D31FHE50A4NB00	D31FPE52DC4NB70	D31FH FLOW = 14.5 GPM@145 PSI, D31FP FLOW = 23.8 GPM@145 PSI
D31FHE50A4VB00	D31FPE52DC4VB70	D31FH FLOW = 14.5 GPM@145 PSI, D31FP FLOW = 23.8 GPM@145 PSI
D31FHE50A5NB00	D31FPE52DC5NB70	D31FH FLOW = 14.5 GPM@145 PSI, D31FP FLOW = 23.8 GPM@145 PSI
D31FHE50A5VB00	D31FPE52DC5VB70	D31FH FLOW = 14.5 GPM@145 PSI, D31FP FLOW = 23.8 GPM@145 PSI
D31FHE50B1NB00	D31FPE52DC1NB70	D31FH FLOW = 17 GPM@145 PSI, , D31FP FLOW = 23.8 GPM@145 PSI
D31FHE50B1VB00	D31FPE52DC1VB70	D31FH FLOW = 17 GPM@145 PSI, D31FP FLOW = 23.8 GPM@145 PSI
D31FHE50B2NB00	D31FPE52DC2NB70	D31FH FLOW = 17 GPM@145 PSI, D31FP FLOW = 23.8 GPM@145 PSI
D31FHE50B4NB00	D31FPE52DC4NB70	D31FH FLOW = 17 GPM@145 PSI, D31FP FLOW = 23.8 GPM@145 PSI
D31FHE50B5NB00	D31FPE52DC5NB70	D31FH FLOW = 17 GPM@145 PSI, D31FP FLOW = 23.8 GPM@145 PSI
D31FHE50C1VB00	D31FPE52DC1VB70	
D31FHE50C2NB00	D31FPE52DC2NB70	
D31FHE50C2VB00	D31FPE52DC2VB70	
D31FHE50C4NB00	D31FPE52DC4NB70	
D31FHE50C4VB00	D31FPE52DC4VB70	
D31FHE50C5VB00	D31FPE52DC5VB70	
D31FHE52A1NB00	D31FPE52DC1NB70	D31FH FLOW = 14.5 GPM@145 PSI, D31FP FLOW = 23.8 GPM@145 PSI
D31FHE52A4NB00	D31FPE52DC4NB70	D31FH FLOW = 14.5 GPM@145 PSI, D31FP FLOW = 23.8 GPM@145 PSI
D31FHE52A4VB00	D31FPE52DC4VB70	D31FH FLOW = 14.5 GPM@145 PSI, D31FP FLOW = 23.8 GPM@145 PSI
D31FHE52A5NB00	D31FPE52DC5NB70	D31FH FLOW = 14.5 GPM@145 PSI, D31FP FLOW = 23.8 GPM@145 PSI

D*1FH Old Part Number	D*1FC / D*1FP New Part Number	Comments
D31FHE52B1VB00	D31FPE52DC1VB70	D31FH FLOW = 17 GPM@145 PSI, D31FP FLOW = 23.8 GPM@145 PSI
D31FHE52B4NB00	D31FPE52DC4NB70	D31FH FLOW = 17 GPM@145 PSI, D31FP FLOW = 23.8 GPM@145 PSI
D31FHE52B4VB00	D31FPE52DC4VB70	D31FH FLOW = 17 GPM@145 PSI, D31FP FLOW = 23.8 GPM@145 PSI
D31FHE52B5NE00	D31FPE52DC5NE70	D31FH FLOW = 17 GPM@145 PSI, D31FP FLOW = 23.8 GPM@145 PSI
D31FHE52C1NB00	D31FPE52DC1NB70	
D31FHE52C2NB00	D31FPE52DC2NB70	
D31FHE52C4NB00	D31FPE52DC4NB70	
D31FHE52C4NE00	D31FPE52DC4NE70	
D31FHE52C4VB00	D31FPE52DC4VB70	
D31FHE52C4VE00	D31FPE52DC4VE70	
D31FHE52C5NB00	D31FPE52DC5NB70	
D31FHE52C5VB00	D31FPE52DC5VB70	
D41FHA31C1NE00	D41FCA31FC1NE70	D41FH FLOW = 39.6 GPM@145 PSI, D41FC FLOW = 53 GPM@145 PSI
D41FHA31C1NE20	D41FCA31FC1NE20	D41FH FLOW = 39.6 GPM@145 PSI, D41FC FLOW = 53 GPM@145 PSI
D41FHA31E1VB00	D41FCA31FC1VB70	
D41FHA31E2VB00	D41FCA31FC2VB70	
D41FHA31E4VB00	D41FCA31FC4VB70	
D41FHA31F1NB00	D41FCA31FC1NB70	
D41FHA32F4NB00	D41FCA32FC4NB70	
D41FHA41D4NB00	D41FCA41FC4NB70	D41FH FLOW = 32 GPM@145 PSI, D41FC FLOW = 53 GPM@145 PSI
D41FHA61B5NB00	D41FPA61FC5NB70	D41FH FLOW = 27.8 GPM@145 PSI, D41FP FLOW = 53 GPM@145 PSI
D41FHA61E2NB00	D41FPA61FC2NB70	
D41FHA61F4NB00	D41FPA61FC4NB70	
D41FHA61F4VB00	D41FPA61FC4VB70	
D41FHB12F4NB00	D41FCR32FC4NB70	
D41FHB31B4NB00	D41FCB31FC4NB70	D41FH FLOW = 27.8 GPM@145 PSI, D41FC FLOW = 53 GPM@145 PSI
D41FHB31B4NS00	D41FCB31FC4NS70	D41FH FLOW = 27.8 GPM@145 PSI, D41FC FLOW = 53 GPM@145 PSI
D41FHB31C1NE00	D41FCB31FC1NE70	D41FH FLOW = 39.6 GPM@145 PSI, D41FC FLOW = 53 GPM@145 PSI
D41FHB31C2NB00	D41FCB31FC2NB70	D41FH FLOW = 39.6 GPM@145 PSI, D41FC FLOW = 53 GPM@145 PSI

D*1FH Old Part Number	D*1FC / D*1FP New Part Number	Comments
D41FHB31C4NB00	D41FCB31FC4NB70	D41FH FLOW = 39.6 GPM@145 PSI, D41FC FLOW = 53 GPM@145 PSI
D41FHB31C4NE00	D41FCB31FC4NE70	D41FH FLOW = 39.6 GPM@145 PSI, D41FC FLOW = 53 GPM@145 PSI
D41FHB31E1NB00	D41FCB31FC1NB70	
D41FHB31E2NB00	D41FCB31FC2NB70	
D41FHB31E4NB00	D41FCB31FC4NB70	
D41FHB31F1VB00	D41FCB31FC1VB70	
D41FHB31F4NB00	D41FCB31FC4NB70	
D41FHB32B4NS00	D41FCB32FC4NS70	D41FH FLOW = 27.8 GPM@145 PSI, D41FC FLOW = 53 GPM@145 PSI
D41FHB32C1NE00	D41FCB32FC1NE70	D41FH FLOW = 39.6 GPM@145 PSI, D41FC FLOW = 53 GPM@145 PSI
D41FHB32C4NB00	D41FCB32FC4NB70	D41FH FLOW = 39.6 GPM@145 PSI, D41FC FLOW = 53 GPM@145 PSI
D41FHB32E1NB00	D41FCB32FC1NB70	
D41FHB32E1NS00	D41FCB32FC1NS70	
D41FHB32E4NB20	D41FCB32FC4NB20	
D41FHB32F1NS00	D41FCB32FC1NS70	
D41FHB32F4NB00	D41FCB32FC4NB70	
D41FHB41D2NB00	D41FCB41FC2NB70	D41FH FLOW = 32 GPM@145 PSI, D41FC FLOW = 53 GPM@145 PSI
D41FHB41D4NB00	D41FCB41FC4NB70	D41FH FLOW = 32 GPM@145 PSI, D41FC FLOW = 53 GPM@145 PSI
D41FHB41D4VB00	D41FCB41FC4VB70	D41FH FLOW = 32 GPM@145 PSI, D41FC FLOW = 53 GPM@145 PSI
D41FHB42D1NS00	D41FCB42FC1NS70	D41FH FLOW = 32 GPM@145 PSI, D41FC FLOW = 53 GPM@145 PSI
D41FHB61B4VB00	D41FPB61FC4VB70	D41FH FLOW = 27.8 GPM@145 PSI, D41FP FLOW = 53 GPM@145 PSI
D41FHB61C2NB00	D41FPB61FC2NB70	D41FH FLOW = 39.6 GPM@145 PSI, D41FP FLOW = 53 GPM@145 PSI
D41FHB61F2VB00	D41FPB61FC2VB70	
D41FHB61F4VB00	D41FPB61FC4VB70	
D41FHB63C4NB20	D41FPB63FC4NB20	D41FH FLOW = 39.6 GPM@145 PSI, D41FP FLOW = 53 GPM@145 PSI
D41FHE01B1NB00	D41FCE01FC1NB70	D41FH FLOW = 27.8 GPM@145 PSI, D41FC FLOW = 53 GPM@145 PSI
D41FHE01B2NE00	D41FCE01FC2NE70	D41FH FLOW = 27.8 GPM@145 PSI, D41FC FLOW = 53 GPM@145 PSI
D41FHE01B4NB00	D41FCE01FC4NB70	D41FH FLOW = 27.8 GPM@145 PSI, D41FC FLOW = 53 GPM@145 PSI

D*1FH Old Part Number	D*1FC / D*1FP New Part Number	Comments
D41FHE01B4NE00	D41FCE01FC4NE70	D41FH FLOW = 27.8 GPM@ 145 PSI, D41FC FLOW = 53 GPM@145 PSI
D41FHE01B5NE00	D41FCE01FC5NE70	D41FH FLOW = 27.8 GPM@ 145 PSI, D41FC FLOW = 53 GPM@145 PSI
D41FHE01C1NB00	D41FCE01FC1NB70	D41FH FLOW = 39.6 GPM@ 145 PSI, D41FC FLOW = 53 GPM@145 PSI
D41FHE01C1VB00	D41FCE01FC1VB70	D41FH FLOW = 39.6 GPM@ 145 PSI, D41FC FLOW = 53 GPM@145 PSI
D41FHE01C2NB00	D41FCE01FC2NB70	D41FH FLOW = 39.6 GPM@ 145 PSI, D41FC FLOW = 53 GPM@145 PSI
D41FHE01C4NB00	D41FCE01FC4NB70	D41FH FLOW = 39.6 GPM@ 145 PSI, D41FC FLOW = 53 GPM@145 PSI
D41FHE01C4VB00	D41FCE01FC4VB70	D41FH FLOW = 39.6 GPM@ 145 PSI, D41FC FLOW = 53 GPM@145 PSI
D41FHE01C5NB00	D41FCE01FC5NB70	D41FH FLOW = 39.6 GPM@ 145 PSI, D41FC FLOW = 53 GPM@145 PSI
D41FHE01E1NB00	D41FCE01FC1NB70	
D41FHE01E1NE00	D41FCE01FC1NE70	
D41FHE01E2NB00	D41FCE01FC2NB70	
D41FHE01E2NE00	D41FCE01FC2NE70	
D41FHE01E4NB00	D41FCE01FC4NB70	
D41FHE01E4NE00	D41FCE01FC4NE70	
D41FHE01E4VB00	D41FCE01FC4VB70	
D41FHE01E5NB00	D41FCE01FC5NB70	
D41FHE01F1NB00	D41FCE01FC1NB70	
D41FHE01F1NE00	D41FCE01FC1NE70	
D41FHE01F1NE20	D41FCE01FC1NE20	
D41FHE01F1VB00	D41FCE01FC1VB70	
D41FHE01F1VE00	D41FCE01FC1VE70	
D41FHE01F2NB00	D41FCE01FC2NB70	
D41FHE01F2NS08	D41FCE01FC2NS08	
D41FHE01F2VB00	D41FCE01FC2VB70	
D41FHE01F4NB00	D41FCE01FC4NB70	
D41FHE01F4NS00	D41FCE01FC4NS70	
D41FHE01F4VB00	D41FCE01FC4VB70	
D41FHE01F5NB00	D41FCE01FC5NB70	
D41FHE01F5VB00	D41FCE01FC5VB70	
D41FHE02B1NB00	D41FCE02BC1NB70	D41FH FLOW = 27.8 GPM@ 145 PSI, D41FC FLOW = 53 GPM@145 PSI
D41FHE02B4NS00	D41FCE02BC4NS70	D41FH FLOW = 27.8 GPM@ 145 PSI, D41FC FLOW = 53 GPM@145 PSI

D*1FH Old Part Number	D*1FC / D*1FP New Part Number	Comments
D41FHE02C1NB00	D41FCE02FC1NB70	D41FH FLOW = 39.6 GPM@145 PSI, D41FC FLOW = 53 GPM@145 PSI
D41FHE02C4NE00	D41FCE02FC4NE70	D41FH FLOW = 39.6 GPM@145 PSI, D41FC FLOW = 53 GPM@145 PSI
D41FHE02C5NE00	D41FCE02FC5NE70	D41FH FLOW = 39.6 GPM@145 PSI, D41FC FLOW = 53 GPM@145 PSI
D41FHE02E1VE00	D41FCE02FC1VE70	
D41FHE02E4VB00	D41FCE02FC4VB70	
D41FHE02F1NB00	D41FCE02FC1NB70	
D41FHE02F1VB00	D41FCE02FC1VB70	
D41FHE02F4NB00	D41FCE02FC4NB70	
D41FHE02F4VB00	D41FCE02FC4VB70	
D41FHE21D1VB00	D41FCE01FC1VB70	D41FH FLOW = 32 GPM@145 PSI, D41FC FLOW = 53 GPM@145 PSI
D41FHE21D2VB00	D41FCE01FC2VB70	D41FH FLOW = 32 GPM@145 PSI, D41FC FLOW = 53 GPM@145 PSI
D41FHE21D4NB00	D41FCE01FC4NB70	D41FH FLOW = 32 GPM@145 PSI, D41FC FLOW = 53 GPM@145 PSI
D41FHE21D4NE00	D41FCE01FC4NE70	D41FH FLOW = 32 GPM@145 PSI, D41FC FLOW = 53 GPM@145 PSI
D41FHE21D4VB00	D41FCE01FC4VB70	D41FH FLOW = 32 GPM@145 PSI, D41FC FLOW = 53 GPM@145 PSI
D41FHE21D5NE00	D41FCE01FC5NE70	D41FH FLOW = 32 GPM@145 PSI, D41FC FLOW = 53 GPM@145 PSI
D41FHE22D2NB00	D41FCE02FC2NB70	D41FH FLOW = 32 GPM@145 PSI, D41FC FLOW = 53 GPM@145 PSI
D41FHE22D4VB00	D41FCE02FC4VB70	D41FH FLOW = 32 GPM@145 PSI, D41FC FLOW = 53 GPM@145 PSI
D41FHE52B2NB00	D41FPE52FC2NB70	D41FH FLOW = 27.8 GPM@145 PSI, D41FP FLOW = 53 GPM@145 PSI
D41FHE52B4NB00	D41FPE52FC4NB70	D41FH FLOW = 27.8 GPM@145 PSI, D41FP FLOW = 53 GPM@145 PSI
D41FHE52B4VB00	D41FPE52FC4VB70	D41FH FLOW = 27.8 GPM@145 PSI, D41FP FLOW = 53 GPM@145 PSI
D41FHE52C1NB00	D41FPE52FC1NB70	D41FH FLOW = 39.6 GPM@145 PSI, D41FP FLOW = 53 GPM@145 PSI
D41FHE52C2NB00	D41FPE52FC2NB70	D41FH FLOW = 39.6 GPM@145 PSI, D41FP FLOW = 53 GPM@145 PSI
D41FHE52C4NB00	D41FPE52FC4NB70	D41FH FLOW = 39.6 GPM@145 PSI, D41FP FLOW = 53 GPM@145 PSI
D41FHE52C4VB00	D41FPE52FC4VB70	D41FH FLOW = 39.6 GPM@145 PSI, D41FP FLOW = 53 GPM@145 PSI
D41FHE52E1NB00	D41FPE52FC1NB70	
D41FHE52E2NB00	D41FPE52FC2NB70	

D*1FH Old Part Number	D*1FC / D*1FP New Part Number	Comments
D41FHE52E2VB00	D41FPE52FC2VB70	
D41FHE52E4NB00	D41FPE52FC4NB70	
D41FHE52F1NE00	D41FPE52FC1NE70	
D41FHE52F2NB00	D41FPE52FC2NB70	
D41FHE52F2VB00	D41FPE52FC2VB70	
D41FHE52F4NB00	D41FPE52FC4NB70	
D41FHE52F4VB00	D41FPE52FC4VB70	
D81FHA31E4NB00	D91FCA31HC4NB70	D81FH FLOW = 66 GPM@145 PSI, D91FC FLOW = 119 GPM@145 PSI
D81FHA31E4VB00	D91FCA31HC4VB70	D81FH FLOW = 66 GPM@145 PSI, D91FC FLOW = 119 GPM@145 PSI
D81FHA31F4VB00	D91FCA31HC4VB70	D81FH FLOW = 81.9 GPM@145 PSI, D91FC FLOW = 119 GPM@145 PSI
D81FHA31H4VB00	D91FCA31HC4VB70	D81FH FLOW = 105.7 GPM@145 PSI, D91FC FLOW = 119 GPM@145 PSI
D81FHA32E4NB00	D91FCA32HC4NB70	D81FH FLOW = 66 GPM@145 PSI, D91FC FLOW = 119 GPM@145 PSI
D81FHA41F4VB00	D91FCA41HC4VB70	D81FH FLOW = 81.9 GPM@145 PSI, D91FC FLOW = 119 GPM@145 PSI
D81FHB31E4NB00	D91FCB31HC4NB70	D81FH FLOW = 66 GPM@145 PSI, D91FC FLOW = 119 GPM@145 PSI
D81FHB31E4NE00	D91FCB31HC4NE70	D81FH FLOW = 66 GPM@145 PSI, D91FC FLOW = 119 GPM@145 PSI
D81FHB31H1VB00	D91FCB31HC1VB70	D81FH FLOW = 105.7 GPM@145 PSI, D91FC FLOW = 119 GPM@145 PSI
D81FHB31H2NB00	D91FCB31HC2NB70	D81FH FLOW = 105.7 GPM@145 PSI, D91FC FLOW = 119 GPM@145 PSI
D81FHB31H4NB00	D91FCB31HC4NB70	D81FH FLOW = 105.7 GPM@145 PSI, D91FC FLOW = 119 GPM@145 PSI
D81FHB32E1NB00	D91FCB32HC1NB70	D81FH FLOW = 66 GPM@145 PSI, D91FC FLOW = 119 GPM@145 PSI
D81FHB32H4VE00	D91FCB32HC4VE70	D81FH FLOW = 105.7 GPM@145 PSI, D91FC FLOW = 119 GPM@145 PSI
D81FHB41F1NB00	D91FCB31HC1NB70	D81FH FLOW = 81.9 GPM@145 PSI, D91FC FLOW = 119 GPM@145 PSI
D81FHB41F4VB00	D91FCB31HC4VB70	D81FH FLOW = 81.9 GPM@145 PSI, D91FC FLOW = 119 GPM@145 PSI
D81FHB42F2NB00	D91FCB32HC2NB70	D81FH FLOW = 81.9 GPM@145 PSI, D91FC FLOW = 119 GPM@145 PSI
D81FHB61E1NB00	D91FPB61HC1NB70	D81FH FLOW = 66 GPM@145 PSI, D91FP FLOW = 119 GPM@145 PSI
D81FHB61H1NB00	D91FPB61HC1NB70	D81FH FLOW = 105.7 GPM@145 PSI, D91FP FLOW = 119 GPM@145 PSI

D*1FH Old Part Number	D*1FC / D*1FP New Part Number	Comments
D81FHB61H2NB00	D91FPB61HC2NB70	D81FH FLOW = 105.7 GPM@145 PSI, D91FP FLOW = 119 GPM@145 PSI
D81FHE01E1NB00	D91FCE01HC1NB70	D81FH FLOW = 66 GPM@145 PSI, D91FC FLOW = 119 GPM@145 PSI
D81FHE01E2NB00	D91FCE01HC2NB70	D81FH FLOW = 66 GPM@145 PSI, D91FC FLOW = 119 GPM@145 PSI
D81FHE01E2VB00	D91FCE01HC2VB70	D81FH FLOW = 66 GPM@145 PSI, D91FC FLOW = 119 GPM@145 PSI
D81FHE01E4NB00	D91FCE01HC4NB70	D81FH FLOW = 66 GPM@145 PSI, D91FC FLOW = 119 GPM@145 PSI
D81FHE01E4VB00	D91FCE01HC4VB70	D81FH FLOW = 66 GPM@145 PSI, D91FC FLOW = 119 GPM@145 PSI
D81FHE01E4VE00	D91FCE01HC4VE70	D81FH FLOW = 66 GPM@145 PSI, D91FC FLOW = 119 GPM@145 PSI
D81FHE01E5NB00	D91FCE01HC5NB70	D81FH FLOW = 66 GPM@145 PSI, D91FC FLOW = 119 GPM@145 PSI
D81FHE01F1NB00	D91FCE01HC1NB70	D81FH FLOW = 81.9 GPM@145 PSI, D91FC FLOW = 119 GPM@145 PSI
D81FHE01F1VB00	D91FCE01HC1VB70	D81FH FLOW = 81.9 GPM@145 PSI, D91FC FLOW = 119 GPM@145 PSI
D81FHE01F4NB00	D91FCE01HC4NB70	D81FH FLOW = 81.9 GPM@145 PSI, D91FC FLOW = 119 GPM@145 PSI
D81FHE01F4VB00	D91FCE01HC4VB70	D81FH FLOW = 81.9 GPM@145 PSI, D91FC FLOW = 119 GPM@145 PSI
D81FHE01H1NB00	D91FCE01HC1NB70	D81FH FLOW = 105.7 GPM@145 PSI, D91FC FLOW = 119 GPM@145 PSI
D81FHE01H1VB00	D91FCE01HC1VB70	D81FH FLOW = 105.7 GPM@145 PSI, D91FC FLOW = 119 GPM@145 PSI
D81FHE01H2NB00	D91FCE01HC2NB70	D81FH FLOW = 105.7 GPM@145 PSI, D91FC FLOW = 119 GPM@145 PSI
D81FHE01H2VB00	D91FCE01HC2VB70	D81FH FLOW = 105.7 GPM@145 PSI, D91FC FLOW = 119 GPM@145 PSI
D81FHE01H4NB00	D91FCE01HC4NB70	D81FH FLOW = 105.7 GPM@145 PSI, D91FC FLOW = 119 GPM@145 PSI
D81FHE01H4VB00	D91FCE01HC4VB70	D81FH FLOW = 105.7 GPM@145 PSI, D91FC FLOW = 119 GPM@145 PSI
D81FHE01H5NB00	D91FCE01HC5NB70	D81FH FLOW = 105.7 GPM@145 PSI, D91FC FLOW = 119 GPM@145 PSI
D81FHE01H5NB02	D91FCE01HC5NB02	D81FH FLOW = 105.7 GPM@145 PSI, D91FC FLOW = 119 GPM@145 PSI
D81FHE02E2NB00	D91FCE02HC2NB70	D81FH FLOW = 66 GPM@145 PSI, D91FC FLOW = 119 GPM@145 PSI
D81FHE02E4NB00	D91FCE02HC4NB70	D81FH FLOW = 66 GPM@145 PSI, D91FC FLOW = 119 GPM@145 PSI

D*1FH Old Part Number	D*1FC / D*1FP New Part Number	Comments
D81FHE02E4NE00	D91FCE02HC4NE70	D81FH FLOW = 66 GPM@145 PSI, D91FC FLOW = 119 GPM@145 PSI
D81FHE02E4NS00	D91FCE02HC4NS70	D81FH FLOW = 66 GPM@145 PSI, D91FC FLOW = 119 GPM@145 PSI
D81FHE02E4VB00	D91FCE02HC4VB70	D81FH FLOW = 66 GPM@145 PSI, D91FC FLOW = 119 GPM@145 PSI
D81FHE02E5NB00	D91FCE02HC5NB70	D81FH FLOW = 66 GPM@145 PSI, D91FC FLOW = 119 GPM@145 PSI
D81FHE02E5VB00	D91FCE02HC5VB70	D81FH FLOW = 66 GPM@145 PSI, D91FC FLOW = 119 GPM@145 PSI
D81FHE02F1NB00	D91FCE02HC1NB70	D81FH FLOW = 81.9 GPM@145 PSI, D91FC FLOW = 119 GPM@145 PSI
D81FHE02F1NE00	D91FCE02HC1NE70	D81FH FLOW = 81.9 GPM@145 PSI, D91FC FLOW = 119 GPM@145 PSI
D81FHE02F1VB00	D91FCE02HC1VB70	D81FH FLOW = 81.9 GPM@145 PSI, D91FC FLOW = 119 GPM@145 PSI
D81FHE02F4VB00	D91FCE02HC4VB70	D81FH FLOW = 81.9 GPM@145 PSI, D91FC FLOW = 119 GPM@145 PSI
D81FHE02H1NB00	D91FCE02HC1NB70	D81FH FLOW = 105.7 GPM@145 PSI, D91FC FLOW = 119 GPM@145 PSI
D81FHE02H2NB00	D91FCE02HC2NB70	D81FH FLOW = 105.7 GPM@145 PSI, D91FC FLOW = 119 GPM@145 PSI
D81FHE02H4NB00	D91FCE02HC4NB70	D81FH FLOW = 105.7 GPM@145 PSI, D91FC FLOW = 119 GPM@145 PSI
D81FHE02H4VB00	D91FCE02HC4VB70	D81FH FLOW = 105.7 GPM@145 PSI, D91FC FLOW = 119 GPM@145 PSI
D81FHE02H4VE00	D91FCE02HC4VE70	D81FH FLOW = 105.7 GPM@145 PSI, D91FC FLOW = 119 GPM@145 PSI
D81FHE02H5NB00	D91FCE02HC5NB70	D81FH FLOW = 105.7 GPM@145 PSI, D91FC FLOW = 119 GPM@145 PSI
D81FHE21F1NB00	D91FCE01HC1NB70	D81FH FLOW = 81.9 GPM@145 PSI, D91FC FLOW = 119 GPM@145 PSI
D81FHE21F1VB00	D91FCE01HC1VB70	D81FH FLOW = 81.9 GPM@145 PSI, D91FC FLOW = 119 GPM@145 PSI
D81FHE21F2VB00	D91FCE01HC2VB70	D81FH FLOW = 81.9 GPM@145 PSI, D91FC FLOW = 119 GPM@145 PSI
D81FHE21F4NB00	D91FCE01HC4NB70	D81FH FLOW = 81.9 GPM@145 PSI, D91FC FLOW = 119 GPM@145 PSI
D81FHE21F4VB00	D91FCE01HC4VB70	D81FH FLOW = 81.9 GPM@145 PSI, D91FC FLOW = 119 GPM@145 PSI
D81FHE21F5NB00	D91FCE01HC5NB70	D81FH FLOW = 81.9 GPM@145 PSI, D91FC FLOW = 119 GPM@145 PSI
D81FHE22F1NB00	D91FCE02HC1NB70	D81FH FLOW = 81.9 GPM@145 PSI, D91FC FLOW = 119 GPM@145 PSI

D*1FH Old Part Number	D*1FC / D*1FP New Part Number	Comments
D81FHE22F1VB00	D91FCE02HC1VB70	D81FH FLOW = 81.9 GPM@ 145 PSI, D91FC FLOW = 119 GPM@ 145 PSI
D81FHE52E4NB00	D91FPE52HC4NB70	D81FH FLOW = 66 GPM@ 145 PSI, D91FP FLOW = 119 GPM@ 145 PSI
D81FHE52F1NB00	D91FPE52HC1NB70	D81FH FLOW = 81.9 GPM@ 145 PSI, D91FP FLOW = 119 GPM@ 145 PSI
D81FHE52H2NB00	D91FPE52HC2NB70	D81FH FLOW = 105.7 GPM@ 145 PSI, D91FP FLOW = 119 GPM@ 145 PSI
D81FHE52H4NB00	D91FPE52HC4NB70	D81FH FLOW = 105.7 GPM@ 145 PSI, D91FP FLOW = 119 GPM@ 145 PSI
D81FHE52H4VB00	D91FPE52HC4VB70	D81FH FLOW = 105.7 GPM@ 145 PSI, D91FP FLOW = 119 GPM@ 145 PSI
D81FHE52H5VB00	D91FPE52HC5VB70	D81FH FLOW = 105.7 GPM@ 145 PSI, D91FP FLOW = 119 GPM@ 145 PSI
D91FHB11H1NE00	D91FCR31HC1NE70	
D91FHB11H4NB00	D91FCR31HC4NB70	
D91FHB12H2NB00	D91FCR32HC2NB70	
D91FHB31F1NB00	D91FCB31HC1NB70	D91FH FLOW = 81.9 GPM@ 145 PSI, D91FC FLOW = 119 GPM@ 145 PSI
D91FHB31F2NB00	D91FCB31HC2NB70	D91FH FLOW = 81.9 GPM@ 145 PSI, D91FC FLOW = 119 GPM@ 145 PSI
D91FHB31F2NB20	D91FCB31HC2NB20	D91FH FLOW = 81.9 GPM@ 145 PSI, D91FC FLOW = 119 GPM@ 145 PSI
D91FHB31H1VB00	D91FCB31HC1VB70	
D91FHB31H2NB00	D91FCB31HC2NB70	
D91FHB32H1NB00	D91FCB32HC1NB70	
D91FHB34H4NB00	D91FCB34HC4NB70	
D91FHB84H5NB00	Contact Tech Support	
D91FHE01E1NB00	D91FCE01HC1NB70	D91FH FLOW = 66 GPM@ 145 PSI, D91FC FLOW = 119 GPM@ 145 PSI
D91FHE01F1NB00	D91FCE01HC1NB70	D91FH FLOW = 81.9 GPM@ 145 PSI, D91FC FLOW = 119 GPM@ 145 PSI
D91FHE01F1NE00	D91FCE01HC1NE70	D91FH FLOW = 81.9 GPM@ 145 PSI, D91FC FLOW = 119 GPM@ 145 PSI
D91FHE01H1NB00	D91FCE01HC1NB70	
D91FHE01H1NB20	D91FCE01HC1NB20	
D91FHE01H1VB00	D91FCE01HC1VB70	
D91FHE01H2NB00	D91FCE01HC2NB70	
D91FHE01H2NE00	D91FCE01HC2NE70	
D91FHE01H2NS00	D91FCE01HC2NS70	
D91FHE01H4NB00	D91FCE01HC4NB70	
D91FHE01H4VE00	D91FCE01HC4VE70	

D*1FH Old Part Number	D*1FC / D*1FP New Part Number	Comments
D91FHE02F1NB00	D91FCE02HC1NB70	D91FH FLOW = 81.9 GPM@ 145 PSI, D91FC FLOW = 119 GPM@ 145 PSI
D91FHE02H1NB00	D91FCE02HC1NB70	
D91FHE02H4NB00	D91FCE02HC4NB70	
D91FHE11H4NB00	D91FCR31HC4NB00	
D91FHE21F1NE00	D91FCE01HC1NE70	D91FH FLOW = 81.9 GPM@ 145 PSI, D91FC FLOW = 119 GPM@ 145 PSI
D91FHE21F4NB00	D91FCE01HC4NB70	D91FH FLOW = 81.9 GPM@ 145 PSI, D91FC FLOW = 119 GPM@ 145 PSI
D91FHE21F4NE00	D91FCE01HC4NE70	D91FH FLOW = 81.9 GPM@ 145 PSI, D91FC FLOW = 119 GPM@ 145 PSI
D91FHE22F1NB00	D91FCE02HC1NB70	D91FH FLOW = 81.9 GPM@ 145 PSI, D91FC FLOW = 119 GPM@ 145 PSI
D91FHE52H2NB00	D91FPE52HC2NB70	
D91FHE52H5NB00	D91FPE52HC5NB70	
D91FHE85H2NB00	Contact Tech Support	
D111FHB32H4NB00	D111FCB32LC4NB70	D111FH FLOW = 132 GPM@ 145 PSI, D111FC FLOW = 265 GPM@ 145 PSI
D111FHE01H2NB00	D111FCE01LC2NB70	D111FH FLOW = 132 GPM@ 145 PSI, D111FC FLOW = 265 GPM@ 145 PSI
D111FHE01L2NB00	D111FCE01LC2NB70	
D111FHE01L2NB00	D111FCE01LC2NB70	
D111FHE01L2NE00	D111FCE01LC2NE70	
D111FHE02H2NB00	D111FCE02LC2NB70	D111FH FLOW = 132 GPM@ 145 PSI, D111FC FLOW = 265 GPM@ 145 PSI
D111FHE02H2VB00	D111FCE02LC2VB70	D111FH FLOW = 132 GPM@ 145 PSI, D111FC FLOW = 265 GPM@ 145 PSI
D111FHE02L1NB00	D111FCE02LC1NB70	



Parker Hannifin Corporation
Hydraulic Valve Division
520 Ternes Avenue
Elyria, Ohio, 44035 USA
Tel: (440) 366-5100
Fax: (440) 366-5253
www.parker.com/hydraulicvalve

