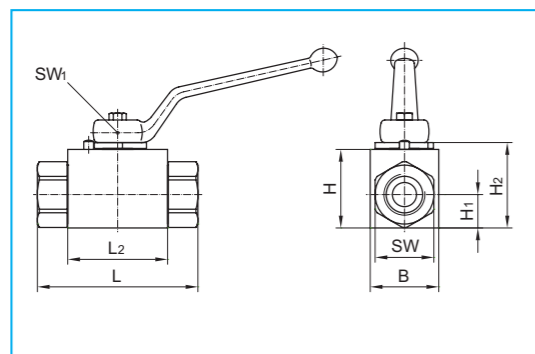


2-way ball valves with threaded connector

Stainless steel · DN 4 - DN 25



NEW!

Handle included in delivery. Please check pressure rating of the pipe fittings!

For actuators and handles refer to "Attachments, accessories"

Stainless steel (material No.1.4571 - or other stainless steels)

Custom orders on request

Also available with most other connections

All dimensions subject to change without notice

Dimensions in mm

Weight in kg

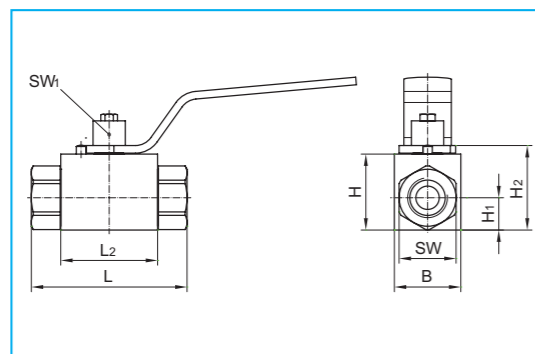
Pressure in bar

Body:	stainless steel	stainless steel
Ball:	stainless steel	stainless steel
Stem:	stainless steel	stainless steel
Ball seals:	POM	PTFE-Comp.3
Stem seals:	FKM	FKM
Handle:	zinc, die cast	zinc, die cast
Stop plate:	steel, zinc plated	steel, zinc plated

Connection	DN	Thread D	OD	L	L ₁	L ₂	B	H	H ₁	SW	SW ₁	Handle Code	H ₂	Weight	DN	PN	Article-No.	PN	Article-No.
For cut (clamp) ring tube fitting DIN 2353 light series ISO 8434-1	4	M12 x 1,5	6	67	10	36	20	25	10,0	19	7	12	27,5	0,20	4	500	109400	315	109460
	6	M14 x 1,5	8	67	10	36	20	25	10,0	19	7	12	27,5	0,20	6	500	109401	315	109461
	8	M16 x 1,5	10	75	11	45	30	35	14,5	24	8	13	38,5	0,42	8	500	109402	315	109462
	10	M18 x 1,5	12	75	11	45	30	35	14,5	24	8	13	38,5	0,42	10	500	109403	315	109463
	12	M22 x 1,5	15	83	12	51	35	40	17,0	30	10	14	43,5	0,63	12	500	109404	315	109464
	16	M26 x 1,5	18	99	12	60	45	55	24,0	41	14	15	59,0	1,19	16	420	109405	250	109465
For cut (clamp) ring tube fittings DIN 2353 heavy series ISO 8434-1	20	M30 x 2	22	99	14	60	45	55	24,0	41	14	15	59,0	1,21	20	420	109406	250	109466
	25	M36 x 2	28	108	14	70	55	60	26,0	50	14	15	64,0	1,75	25	420	109407	250	109467
	4	M16 x 1,5	8	73	12	36	20	25	10,0	19	7	12	27,5	0,22	4	500	109408	315	109468
	6	M18 x 1,5	10	73	12	36	20	25	10,0	19	7	12	27,5	0,22	6	500	109409	315	109469
	8	M20 x 1,5	12	77	12	45	30	35	14,5	24	8	13	38,5	0,43	8	500	109410	315	109470
	10	M22 x 1,5	14	81	14	45	30	35	14,5	24	8	13	38,5	0,44	10	500	109411	315	109471
BSP-female thread DIN EN ISO 228-1	12	M24 x 1,5	16	87	14	51	35	40	17,0	30	10	14	43,5	0,65	12	500	109412	315	109472
	16	M30 x 2	20	107	16	60	45	55	24,0	41	14	15	59,0	1,27	16	420	109413	250	109473
	20	M36 x 2	25	107	18	60	45	55	24,0	41	14	15	59,0	1,29	20	420	109414	250	109474
	25	M42 x 2	30	120	20	70	55	60	26,0	50	14	15	64,0	1,88	25	420	109415	250	109475
	4	G 1/8	-	69	12	36	20	25	10,0	19	7	12	27,5	0,22	4	500	109416	315	109476
	6	G 1/4	-	69	12	36	20	25	10,0	19	7	12	27,5	0,21	6	500	109417	315	109477
NPT-female thread ANSI/ASME B1.20.1-1983	10	G 3/8	-	73	14	45	30	35	14,5	24	8	13	38,5	0,43	10	500	109418	315	109478
	12	G 1/2	-	82	15	51	35	40	17,0	30	10	14	43,5	0,67	12	500	109419	315	109479
	16	G 5/8	-	93	18	60	45	55	24,0	41	14	15	59,0	1,30	16	420	109420	250	109480
	20	G 3/4	-	93	18	60	45	55	24,0	41	14	15	59,0	1,28	20	420	109421	250	109481
	25	G 1	-	115	18	70	55	60	26,0	50	14	15	64,0	1,97	25	420	109422	250	109482
	4	1/8 - 27 NPT	-	69	6,9	36	20	25	10,0	19	7	12	27,5	0,22	4	500	109423	315	109483
6	1/4 - 18 NPT	-	69	10,0	36	20	25	10,0	19	7	12	27,5	0,21	6	500	109424	315	109484	
10	3/8 - 18 NPT	-	73	10,3	45	30	35	14,5	24	8	13	38,5	0,43	10	500	109425	315	109485	
12	1/2 - 14 NPT	-	82	13,6	51	35	40	17,0	30	10	14	43,5	0,67	12	500	109426	315	109486	
20	3/4 - 14 NPT	-	93	14,1	60	45	55	24,0	41	14	15	59,0	1,28	20	420	109427	250	109487	
25	1 - 11 1/2 NPT	-	115	16,8	70	55	60	26,0	50	14	15	64,0	1,97	25	420	109428	250	109488	

2-way ball valves with threaded connector

Stainless steel · DN 4 - DN 25



NEW!

Handle included in delivery. Please check pressure rating of the pipe fittings!

For actuators and handles refer to "Attachments, accessories"

Stainless steel (material No.1.4571 - or other stainless steels)

Custom orders on request

Also available with most other connections

All dimensions subject to change without notice

Dimensions in mm

Weight in kg

Pressure in bar

Body:	stainless steel	stainless steel
Ball:	stainless steel	stainless steel
Stem:	stainless steel	stainless steel
Ball seals:	POM	PTFE-Comp.3
Stem seals:	FKM	FKM
Handle:	stainless steel	stainless steel
Stop plate:	stainless steel	stainless steel

Connection	DN	Thread D	OD	L	L ₁	L ₂	B	H	H ₁	SW	SW ₁	Handle Code	H ₂	Weight	DN	PN	Article-No.	PN	Article-No.
For cut (clamp) ring tube fitting DIN 2353 light series ISO 8434-1	4	M12 x 1,5	6	67	10	36	20	25	10,0	19	7	32	29,5	0,20	4	500	109490	315	109430
	6	M14 x 1,5	8	67	10	36	20	25	10,0	19	7	32	29,5	0,20	6	500	109491	315	109431
	8	M16 x 1,5	10	75	11	45	30	35	14,5	24	8	33	39,5	0,42	8	500	109492	315	109432
	10	M18 x 1,5	12	75	11	45	30	35	14,5	24	8	33	39,5	0,42	10	500	109493	315	109433
	12	M22 x 1,5	15	83	12	51	35	40	17,0	30	10	34	44,5	0,63	12	500	109494	315	109434
	16	M26 x 1,5	18	99	12	60	45	55	24,0	41	14	35	60,5	1,19	16	420	109495	250	109435
For cut (clamp) ring tube fittings DIN 2353 heavy series ISO 8434-1	20	M30 x 2	22	99	14	60	45	55	24,0	41	14	35	60,5	1,21	20	420	109496	250	109436
	25	M36 x 2	28	108	14	70	55	60	26,0	50	14	35	65,5	1,75	25	420	109497	250	109437
	4	M16 x 1,5	8	73	12	36	20	25	10,0	19	7	32	29,5	0,22	4	500	109498	315	109438
	6	M18 x 1,5	10	73	12	36	20	25	10,0	19	7	32	29,5	0,22	6	500	109499	315	109439
	8	M20 x 1,5	12	77	12	45	30	35	14,5	24	8	33	39,5	0,43	8	500	109500	315	109440
	10	M22 x 1,5	14	81	14	45	30	35	14,5	24	8	33	39,5	0,44	10	500	109501	315	109441
BSP-female thread DIN EN ISO 228-1	12	M24 x 1,5	16	87	14	51	35	40	17,0	30	10	34	44,5	0,65	12	500	109502	315	109442
	16	M30 x 2	20	107	16	60	45	55	24,0	41	14	35	60,5	1,27	16	420	109503	250	109443
	20	M36 x 2	25	107	18	60	45	55	24,0	41	14	35	60,5	1,29	20	420	109504	250	109444
	25	M42 x 2	30	120	20	70	55	60	26,0	50	14	35	65,5	1,88	25	420	109505	250	109445
	4	G 1/8	-	69	12	36	20	25	10,0	19	7	32	29,5	0,22	4	500	700091	315	109446
	6	G 1/4	-	69	12	36	20	25	10,0	19	7	32	29,5	0,21	6	500	700092	315	109447
NPT-female thread ANSI/ASME B1.20.1-1983	10	G 3/8	-	73	14	45	30	35	14,5	24	8	33	39,5	0,43	10	500	700093	315	109448
	12	G 1/2	-	82	15	51	35	40	17,0	30	10	34	44,5	0,67	12	500	700094	315	109449
	16	G 5/8	-	93	18	60	45	55	24,0	41	14	35	60,5	1,30	16	420	700095	250	109450
	20	G 3/4	-	93	18	60	45	55	24,0	41	14	35	60,5	1,28	20	420	700096	250	109451
	25	G 1	-	115	18	70	55	60	26,0	50	14	35	65,5	1,97	25	420	700097	250	109452
	4	1/8 - 27 NPT	-	69	6,9	36	20	25	10,0	19	7	32	29,5	0,22	4	500	700100	315	109453
6	1/4 - 18 NPT	-	69	10,0	36	20	25	10,0	19	7	32	29,5	0,21	6	500	700101	315	109454	
10	3/8 - 18 NPT	-	73	10,3	45	30	35	14,5	24	8	33	39,5	0,43	10	500	700102	315	109455	
12	1/2 - 14 NPT	-	82	13,6	51	35	40	17,0	30	10	34	44,5	0,67	12	500	700103	315	109456	
20	3/4 - 14 NPT	-	93	14,1	60	45	55	24,0	41	14	35	60,5	1,28	20	420	700104	250	109457	
25	1 - 11 1/2 NPT	-	115	16,8	70	55	60	26,0	50	14	35	65,5	1,97	25	420	700105	250	109458	