

Turbine Series - 75500MAX-MAXM

FUEL

Specifications:

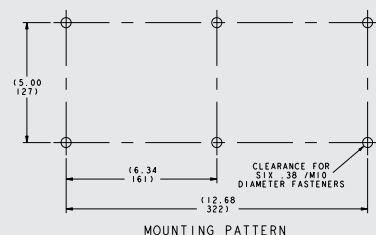
Height: MAX/MAXP 11.5" (29.21 cm)
 MAXM 10.58" (29.08 cm)
Width: 14.5" (36.8 cm) with Bracket
Depth: 9.88" (25.1 cm) with Bracket
Weight: 17.0 lbs (7.7 kg)
Ports: 3/4"-16 UNF-2B
 (SAE J1926 O-ring Boss)
Service Clearance (Top): 4.0" (10.16 cm)
Vacuum Installation Recommended
Maximum Pressure: 15 psi (1.03 bar)
Max Flow Rate: 120 gph (454 lph)

Create a Part Number

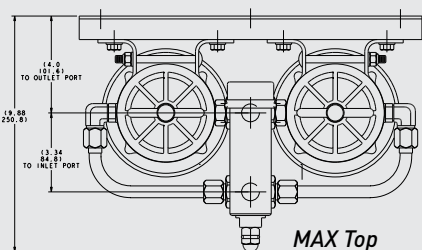
Housing Type	Filtration Model	Valve Type	Assembly Options	Filtration Rating
Dual Assembly	Turbine Model 60/120 GPH Flow Rate	6 Port Valve	Metal Bowl Option W/F Probe Option	2 micron 10 micron 30 micron
75	500MA	X	M P	2 10 30

RACOR®

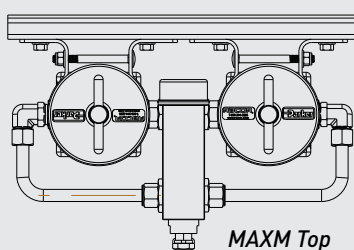
Dimensions:



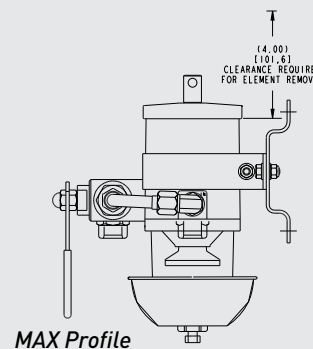
ASSEMBLY	DESCRIPTION
75500MAX2	Marine - Dual 500 Turbine Assy., 2 micron Filter
75500MAX10	Marine - Dual 500 Turbine Assy., 10 micron Filter
75500MAX30	Marine - Dual 500 Turbine Assy., 30 micron Filter
75500MAXM2	Marine - Metal Bowl - Dual 500 Turbine Assy., 2 micron Filter
75500MAXM10	Marine - Metal Bowl - Dual 500 Turbine Assy., 10 micron Filter
75500MAXM30	Marine - Metal Bowl - Dual 500 Turbine Assy., 30 micron Filter
75500MAXP30	Marine - Dual 500 Turbine Assy., Water Sensor Probe, 30 micron Filter



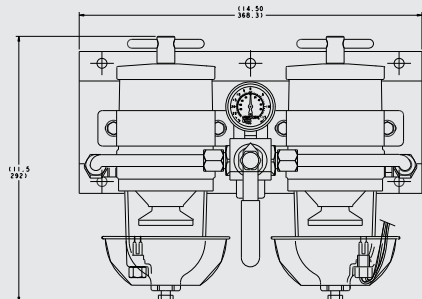
MAX Top



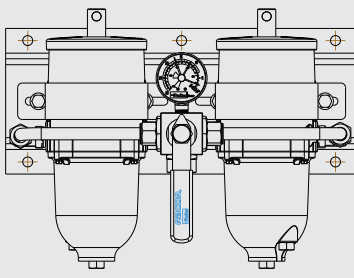
MAXM Top



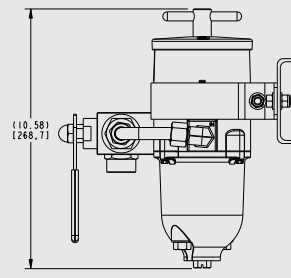
MAX Profile



MAXP Front



MAXM Front



MAXM Profile

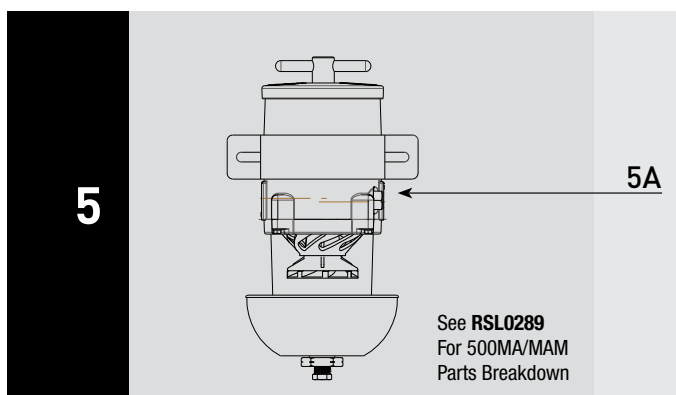
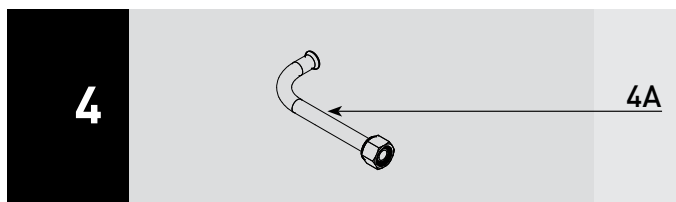
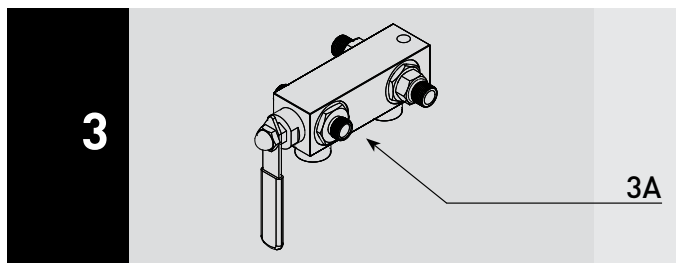
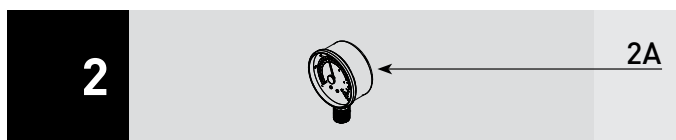
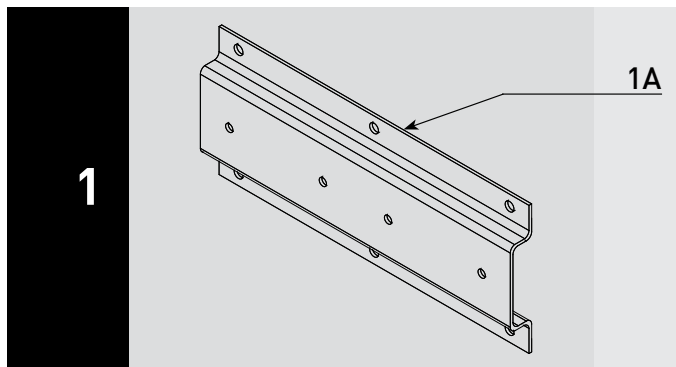
DUAL ASSEMBLIES



WARNING: The products described in this literature can expose you to chemicals including Diisononyl phthalate, Carbon black extract, which are known to the State of California to cause cancer. For more information go to www.P65Warnings.ca.gov.

PARTS

Turbine Series - 75500MAX-MAXM



Part #	Description
1A	Mounting Bracket - Bracket only (Tan)
2A	RK19669 Vacuum Gauge (30" Hg) - 3 needles: Theshold (red), Max Change Out (Red - Adjustable), Gauge (Black) RK19667 <i>Optional</i> - Compound Gauge Kit (Vacuum 30" HG / Pressure 15psi)
3A	RK 15390 6-Port Ball Valve - 1.5 in. Body RK 15419 Valve Rebuild Kit - For 2.0 in. Valve Body Only
4A	RK 15391 Rigid Tubing Kit - Includes (1ea.) Tube, Ferrule and Fitting
5A	Turbine Fuel Filter - 500MA/MAM Series See Cutsheet RSL0289 for available Parts and Accessories

Accessories and Parts Available (Not Shown)

6A	RK 15211 Complete Seal Service Kit - 500 Series Filters (Requires 2)
6B	RK 21069 WIF Probe Kit - 1/2"-20 UNF - 2-wire (MA) - Requires 6C RK23191 WIF Probe Kit (Stainless Steel) - 1/2"-20 UNF - 2-wire (MAM) - Requires 6C
6C	RK 14329 Water Detection Module - 12 vdc RK 14321 Water Detection Module - 24 vdc
7A	Bowl Gasket - Included in 6A
7B	RK 15279-01 Bowl Kit (Clear) - Includes 7A, 8A and Drain Seal/Gasket
7C	RK 15301-02 Bowl Kit (Metal) - Includes 7A, 8B, 9C and 10B
8A	RK 20126 Bowl Plug Kit (MA) - Nylon - 1/2"-20 UNF
8B	RK 20022 Bowl Plug Kit (MAM) - Metal - 1/2"-20 UNF
9A	RK 11-1910 Drain Plug Kit (MA)
9B	RK 15104 Heat Deflector (MA) - Includes 9A
9C	Drain Plug (MAM) - Contact Technical Support
10A	RK 15035-01 Bowl Ring - (For MA Only - White) Includes 7A
10B	RK 15081 Bowl Fasteners (set of 4)
11A	2010SM-OR Replacement Element 2 micron 2010TM-OR Replacement Element 10 micron 2010PM-OR Replacement Element 30 micron

Valve Operations

