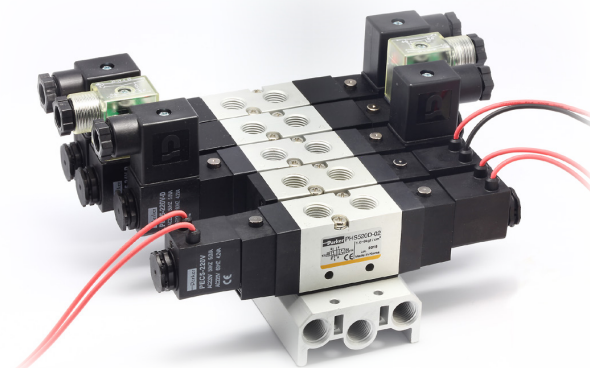


5 Port pilot operated Solenoid Valve

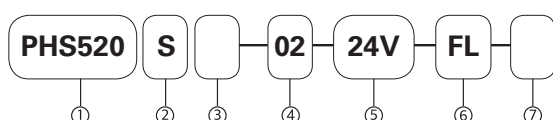
PHS520 Series

Rubber Seal / In-Line Type

2 Position Single solenoid	PHS520S	
2 Position Double solenoid	PHS520D	
3 Position Center Closed	PHS520C	
3 Position Exhaust Center	PHS520E	
3 Position Pressure Center	PHS520P	



ORDER KEY



1. Series

5 Port Solenoid Valve

2. Function

S	Single Solenoid
D	Double Solenoid
C	Center Closed
E	Exhaust Center
P	Pressure Center

3. Pilot

No mark	Internal Pilot
X	External Pilot

4. Port Size

02	Rc(PT) 1/4"(1,2,4 Port), Rc(PT) 1/8"(3,5 Port)
----	---

5. Voltage

24V	DC24V
110V	AC110V
220V	AC220V

6. Wiring

No mark	Lead Wire
FL	Lead Wire w/Lamp Indicator
D	DIN Connector
DL	DIN Connector w/Lamp Indicator

7. Manual Override

No mark	Non-Lock
L	Lever-Lock

Specifications

Model No	Unit	PHS520S	PHS520D	PHS520C	PHS520E	PHS520P
Fluid		Non-lubricated / Lubricated Air				
Port Size		Rc(PT) 1/4"(1,2,4 Port), Rc(PT) 1/8"(3,5 Port)				
Effective Area	mm ² (Cv)	18 (1.0)			14 (0.8)	
Temperature Range	°C	5 ~ 60°C				
Pressure	MPa(bar)	0.15 ~ 0.9 (1.5 ~ 9.0)	0.1 ~ 0.9 (1.0 ~ 9.0)	0.15 ~ 0.9 (1.5 ~ 9.0)		
Max. Operating Cycle	cycle/s	10			3	
Response Time	ms	20 or less			35 or less	
Exhaust Type		Individual Exhaust				
Manual Override		Non-lock (Standard), Lever-lock (Option)				
Shock/Vibration Resistance	m/s ²	30G ~ 5G (8.3 ~ 200Hz)				

Electrical Specifications

Voltage	V	DC24V, AC110V, AC220V (50 ~ 60Hz)
Allowable Voltage Fluctuation	%	±10%
Power Consumption	W, VA	DC24V(3W), AC110/220V 50Hz(5VA)/60Hz(4.2VA)
Insulation Class		F
Wiring		Lead Wire, DIN Connector
Indicator Light		LED
IP Rating		IP65

Coil & Connector

Coil



Voltage

24V	DC24V
110V	AC110V
220V	AC220V

Wiring

No mark	Lead Wire
FL	Lead Wire w/Lamp Indicator
D	DIN

 Explosion Proof Coil
 PEC5-22-EX-24V

Voltage

24V	DC24V
110V	AC110V
220V	AC220V

Note) Explosion Proof Coil can be applied to the PHS Series and the grade is EX m II T4

Connector



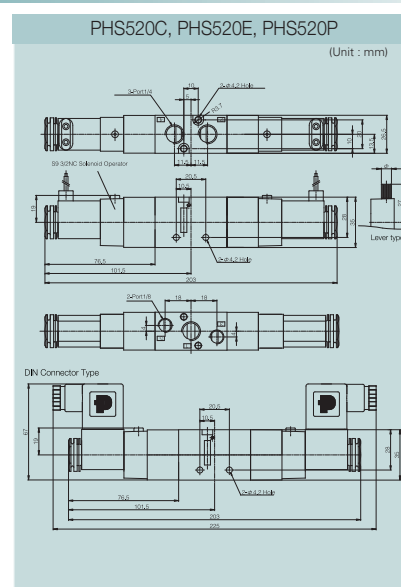
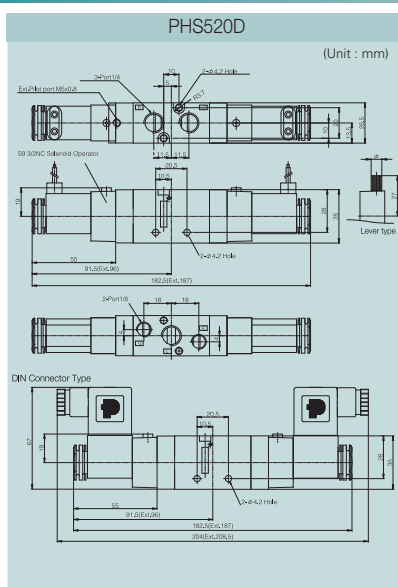
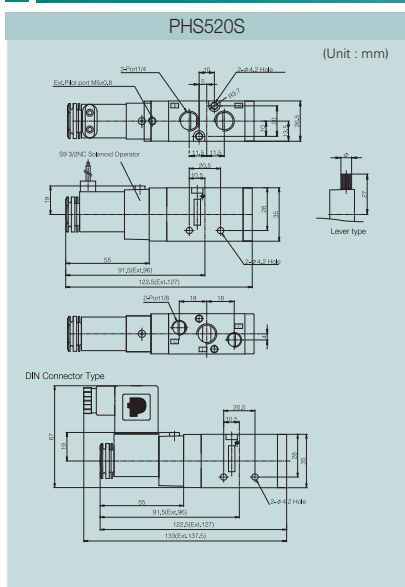
Lamp Indicator

No mark	Non-lamp Indicator
L	Lamp Indicator

Voltage

24V	DC24V
110V	AC110V
220V	AC220V

Dimensions



Manifold

ORDER KEY



Valve

Station

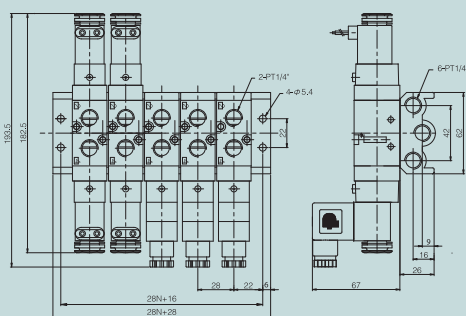
PHS520 Series	M2	2 Station
⋮	⋮	⋮
	M10	9 Station

Specifications

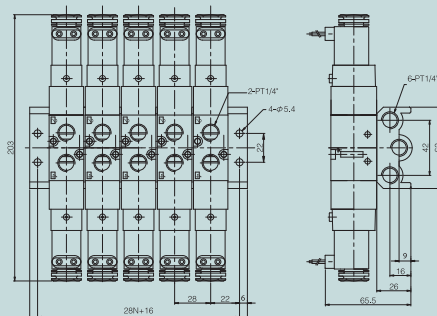
Port Size	Port 1 Port 3, 5	Common Supply: Rc1/4 Common Exhaust: Rc 1/4
Station	2 ~ 9 Station	
Mounting	Direct mount	
Valve	PHS 520	
Blanking Plate	PHS520 - BP	

Dimensions

PHS520S, D



PHS520C, E, P



Parker Korea Ltd.
 Automation Group
 TEL : +82-31-359-0700
 FAX : +82-31-359-0780
 www.parker.com