

# Zero Air Loss Condensate Drains

External Float Drains (16 bar / 50 bar)

Electronic Level Sensing Drains (16 bar / 50 bar)



## Condensate Removal

Removal of compressor condensate from separation, filtration and refrigeration dryers is simply a case of using a drain valve, however most are purchased on their initial price only, with little thought to their maintenance and running costs.

The hidden cost with the most common drain type, lies within their operation, that is they discharge expensive compressed air.

## Parker Zero Air Loss Level Sensing Drains

Parker level sensing drains are totally zero air loss, discharging only compressor condensate and not valuable compressed air.

Parker condensate drains are the reliable, easy to install, cost effective solution for condensate removal, with a model to suit every system or application.



## Advantages

- Saves valuable compressed air
- Saving Air – Saves Energy – Saves Money
- Removes liquid condensate efficiently - Eliminates the risk of condensate carryover past purification equipment
- Protects downstream equipment and processes from condensate damage
- Simple to install - multiple inlet design offers flexibility during installation
- Helps protect the environment by using less electrical energy - Helps reduce the release of CO<sub>2</sub> into the environment



ENGINEERING YOUR SUCCESS.

## Technical Data

Drain Type	Drain Models	Min Operating Pressure		Max Operating Pressure		Min Operating Temperature		Max Operating Temperature	
		bar g	psi g	bar g	psi g	°C	°F	°C	°F
External Float	HDF 120 ~ 220	1	15	16	232	2	35	60	140
Electronic Level Sensing	ED3002 ~ ED3100	1	15	16	232	2	35	60	140
Electronic Level Sensing	ED4100	16	232	50	725	2	35	50	122

## Flow Rates - Zero Air Loss External Float Drains

Model	Pipe Size		Compressed Air Flow Rate				Electrical Supply
	Inlet	Outlet	L/S	m³/min	m³/hr	cfm	
HDF120-A	1/2"	1/2"	1500	90	5400	3178	-
HDF180-A	1"	1/2"	1667	100	6000	3532	-
HDF220-A	1"	1/2"	4167	251	15000	8829	-

External float drain (with built-in air vent)

HDF120	1/2"	1/2"	1500	90	5400	3178	-
HDF180	1"	1/2"	1667	100	6000	3532	-
HDF220	1"	1/2"	4167	251	15000	8829	-

External float drain (without air vent)

HDF220BE	1"	1/2"	1806	109	6500	3826	-
----------	----	------	------	-----	------	------	---

External float drains BioEnergy

## Flow Rates - Zero Air Loss Electronic Level Sensing Drains

Model	Pipe Size		Compressed Air Flow Rate (Aftercooler / Air Receiver)				Compressed Air Flow Rate (Refrigeration Dryer)				Compressed Air Flow Rate (Filter)				Electrical Supply
	Inlet	Outlet	L/S	m³/min	m³/hr	cfm	L/S	m³/min	m³/hr	cfm	L/S	m³/min	m³/hr	cfm	
ED3002-G230	1 x G 1/2	G 3/8	-	-	-	-	-	-	-	-	200	12	720	424	230/1/50-60
ED3004-G230	1 x G 1/2	G 3/8	67	4	240	141	133	8	480	283	667	40	2400	1413	230/1/50-60
ED3007-G230	2 x G 1/2	G 3/8	117	7	420	247	233	14	840	494	1167	70	4200	2472	230/1/50-60
ED3030-G230	2 x G 1/2	G 3/8	500	30	1800	1059	1000	60	3600	2119	5000	301	18000	10595	230/1/50-60
ED3100-G230	2 x G 1/2	G 3/8	1667	100	6000	3532	3334	200	12000	7063	16668	1002	60000	35316	230/1/50-60

230V/1PH/50-60Hz - 16 bar g (232 psi g)

ED3007-G24D	2 x G 1/2	G 3/8	117	7	420	247	233	14	840	494	1167	70	4200	2472	24V DC
ED3030-G24D	2 x G 1/2	G 3/8	500	30	1800	1059	1000	60	3600	2119	5000	301	18000	10595	24V DC
ED3100-G24D	2 x G 1/2	G 3/8	1667	100	6000	3532	3334	200	12000	7063	16668	1002	60000	35316	24V DC

24V DC - 16 bar g (232 psi g)

ED4100/50-G230	G 1/2	G 1/4	1667	100	6000	3532	3334	200	12000	7063	16668	1002	60000	35316	230/1/50-60
----------------	-------	-------	------	-----	------	------	------	-----	-------	------	-------	------	-------	-------	-------------

230V/1PH/50-60Hz - 50 bar g (725 psi g)

ED4100/50-G24D	G 1/2	G 1/4	1667	100	6000	3532	3334	200	12000	7063	16668	1002	60000	35316	24V DC
----------------	-------	-------	------	-----	------	------	------	-----	-------	------	-------	------	-------	-------	--------

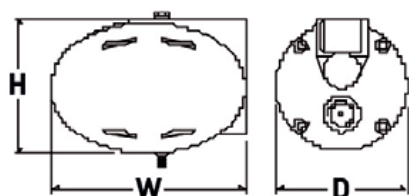
24V DC - 50 bar g (725 psi g)

Stated flows are for operation at max operating pressure shown above, ambient air 25°C (77°F) / 60% RH, compressor discharge temperature 35°C (95°F), refrigeration dryer pressure dewpoint +3°C, with reference to 20°C, 1 bar (a), 0% relative water vapour pressure. . Refrigeration dryer and filter flow rates assume adequate condensate drainage upstream.

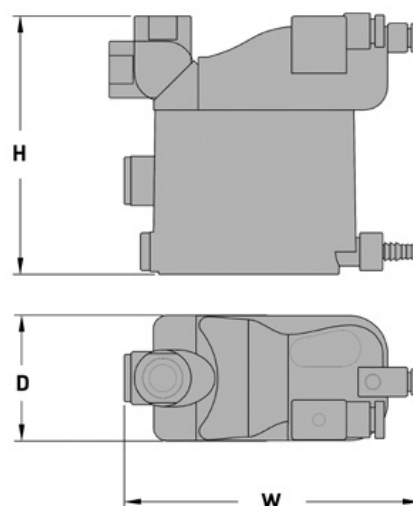
## Weight & Dimensions

Model	Height (H)		Width (W)		Depth (D)		Weight	
	mm	ins	mm	ins	mm	ins	kg	lbs
HDF120	111	4.4	156	6.1	108	4.3	0.9	2.0
HDF180	111	4.4	156	6.1	108	4.3	0.9	2.0
HDF220	111	4.4	266	10.5	108	4.3	1.9	4.2
HDF220BE	111	4.4	266	10.5	108	4.3	1.9	4.2
ED3002	146	5.7	110	4.3	67	2.6	0.5	1.1
ED3004	139	5.5	101	4.0	67	2.6	0.6	1.3
ED3007	164	6.5	122	4.8	67	2.6	1	2.2
ED3030	164	6.5	137	5.4	67	2.6	1	2.2
ED3100	164	6.5	197	7.8	67	2.6	2	4.4
ED4100	115	4.5	178	7.0	87	3.4	1.9	4.2

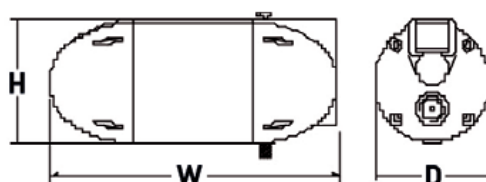
HDF 120 ~ 180



ED 3002 ~ 4100



HDF 220



## Quality Assurance / IP Rating / Pressure Vessel Approvals

Development / Manufacture	ISO 9001 / ISO 14001
Ingress Protection Rating	Not Applicable
EU	Pressure vessel approved for fluid group 2 in accordance with the Pressure Equipment Directive 2014/68/EU
USA	Approval to ASME VIII Div. 1 not required
AUS	Approval to AS1210 not required
GUS	TR (formerly GOST-R)
For use with Compressed Air Only	

# Parker Worldwide

## Europe, Middle East, Africa

**AE – United Arab Emirates,**  
Dubai  
Tel: +971 4 8127100  
parker.me@parker.com

**AT – Austria,** St. Florian  
Tel: +43 (0)7224 66201  
parker.austria@parker.com

**AZ – Azerbaijan,** Baku  
Tel: +994 50 2233 458  
parker.azerbaijan@parker.com

**BE/NL/LU – Benelux,**  
Hendrik Ido Ambacht  
Tel: +31 (0)541 585 000  
parker.nl@parker.com

**BG – Bulgaria,** Sofia  
Tel: +359 2 980 1344  
parker.bulgaria@parker.com

**BY – Belarus,** Minsk  
Tel: +48 (0)22 573 24 00  
parker.poland@parker.com

**CH – Switzerland,** Etoy  
Tel: +41 (0)21 821 87 00  
parker.switzerland@parker.com

**CZ – Czech Republic,** Klecany  
Tel: +420 284 083 111  
parker.czechrepublic@parker.com

**DE – Germany,** Kaarst  
Tel: +49 (0)2131 4016 0  
parker.germany@parker.com

**DK – Denmark,** Ballerup  
Tel: +45 43 56 04 00  
parker.denmark@parker.com

**ES – Spain,** Madrid  
Tel: +34 902 330 001  
parker.spain@parker.com

**FI – Finland,** Vantaa  
Tel: +358 (0)20 753 2500  
parker.finland@parker.com

**FR – France,** Contamine s/Arve  
Tel: +33 (0)4 50 25 80 25  
parker.france@parker.com

**GR – Greece,** Piraeus  
Tel: +30 210 933 6450  
parker.greece@parker.com

**HU – Hungary,** Budaörs  
Tel: +36 23 885 470  
parker.hungary@parker.com

**IE – Ireland,** Dublin  
Tel: +353 (0)1 466 6370  
parker.ireland@parker.com

**IL – Israel**  
Tel: +39 02 45 19 21  
parker.israel@parker.com

**IT – Italy,** Corsico (MI)  
Tel: +39 02 45 19 21  
parker.italy@parker.com

**KZ – Kazakhstan,** Almaty  
Tel: +7 7273 561 000  
parker.easteurope@parker.com

**NO – Norway,** Asker  
Tel: +47 66 75 34 00  
parker.norway@parker.com

**PL – Poland,** Warsaw  
Tel: +48 (0)22 573 24 00  
parker.poland@parker.com

**PT – Portugal**  
Tel: +351 22 999 7360  
parker.portugal@parker.com

**RO – Romania,** Bucharest  
Tel: +40 21 252 1382  
parker.romania@parker.com

**RU – Russia,** Moscow  
Tel: +7 495 645-2156  
parker.russia@parker.com

**SE – Sweden,** Spånga  
Tel: +46 (0)8 59 79 50 00  
parker.sweden@parker.com

**SK – Slovakia,** Banská Bystrica  
Tel: +421 484 162 252  
parker.slovakia@parker.com

**SL – Slovenia,** Novo Mesto  
Tel: +386 7 337 6650  
parker.slovenia@parker.com

**TR – Turkey,** Istanbul  
Tel: +90 216 4997081  
parker.turkey@parker.com

**UA – Ukraine,** Kiev  
Tel: +48 (0)22 573 24 00  
parker.poland@parker.com

**UK – United Kingdom,** Warwick  
Tel: +44 (0)1926 317 878  
parker.uk@parker.com

**ZA – South Africa,** Kempton Park  
Tel: +27 (0)11 961 0700  
parker.southafrica@parker.com

## North America

**CA – Canada,** Milton, Ontario  
Tel: +1 905 693 3000

**US – USA,** Cleveland  
Tel: +1 216 896 3000

## Asia Pacific

**AU – Australia,** Castle Hill  
Tel: +61 (0)2-9634 7777

**CN – China,** Shanghai  
Tel: +86 21 2899 5000

**HK – Hong Kong**  
Tel: +852 2428 8008

**IN – India,** Mumbai  
Tel: +91 22 6513 7081-85

**JP – Japan,** Tokyo  
Tel: +81 (0)3 6408 3901

**KR – South Korea,** Seoul  
Tel: +82 2 559 0400

**MY – Malaysia,** Shah Alam  
Tel: +60 3 7849 0800

**NZ – New Zealand,** Mt Wellington  
Tel: +64 9 574 1744

**SG – Singapore**  
Tel: +65 6887 6300

**TH – Thailand,** Bangkok  
Tel: +662 186 7000

**TW – Taiwan,** Taipei  
Tel: +886 2 2298 8987

## South America

**AR – Argentina,** Buenos Aires  
Tel: +54 3327 44 4129

**BR – Brazil,** Sao Jose dos Campos  
Tel: +55 800 727 5374

**CL – Chile,** Santiago  
Tel: +56 2 623 1216

**MX – Mexico,** Toluca  
Tel: +52 72 2275 4200



### EMEA Product Information Centre

Free phone: 00 800 27 27 5374

(from AT, BE, CH, CZ, DE, DK, EE, ES, FI, FR, IE, IL, IS, IT, LU, MT, NL, NO, PL, PT, RU, SE, SK, UK, ZA)

### US Product Information Centre

Toll-free number: 1-800-27 27 537

www.parker.com/gsf