

# Hi-Pro Ball Valve for High Performance Process Isolation

Catalog 4190-HBV

aerospace  
climate control  
electromechanical  
filtration  
fluid & gas handling  
hydraulics  
pneumatics  
process control  
sealing & shielding



ENGINEERING YOUR SUCCESS.

# Hi-Pro Ball Valve

for up to 10,000 psi/689 bar operations

## Product Description

These high performance two piece bi-directional Ball Valves offer the user full cold working pressure ratings up to 10,000 psi (689 bar), giving 100% bubble tight shut off and continuous repeatable performance. The Ball Valves are suitable for the most demanding applications in the oil, gas and process control industries. All valves also meet the requirements of ANSI B31.1 for use in power plants.

By offering a true two piece design, body leakage paths are reduced to a minimum. With the added opportunity to select integral compression ends the user can eliminate the use of taper threads and thread sealant. This avoids system contamination, reduces leakage paths, installation costs, weight and space.

## Specifications

- 316 Stainless steel construction
- Maximum cold working pressure rating 6,000 psi (414 bar) with P.T.F.E. seats\*
- Temperature rating PTFE seats -54°C to +204°C (-65°F to +400°F) \*
- Maximum cold working pressure rating 10,000 psi (689 bar) with PEEK seats†
- Temperature rating PEEK seats -54°C to +232°C (-65°F to +450°F) \*
- Cv values - 10mm, 15mm, 20mm and 25mm

\* Always refer to P/T graph

† All B31.1 compliant valves are limited to a maximum working pressure of 6000psi (414 bar)



## Features

- Two piece body design - minimal leakage paths
- 4:1 Pressure boundary designed safety factor
- Designed to comply with requirements of ANSI/ASME B16.34 where applicable
- Bi-directional
- PEEK and PTFE standard ball seat materials
- PHflex seats available for 25mm bore
- PTFE and Graphoil gland packings
- Bubble tight shutoff
- Floating ball principal with dynamic response seats featuring inherent self relief
- Anti blowout stem
- Integral compression ends available eliminating taper threads and thread sealants
- Low torque operation
- Quarter turn positive stop handle with ergonomically designed protective sleeve
- Full hydrostatic and low pressure air tested
- Connector thread environmentally sealed
- Anti static
- Firesafe designed to meet API 607, BS6755 Pt2 (optional)

### WARNING

FAILURE, IMPROPER SELECTION OR IMPROPER USE OF THE PRODUCTS AND/OR SYSTEMS DESCRIBED HEREIN OR RELATED ITEMS CAN CAUSE DEATH, PERSONAL INJURY AND PROPERTY DAMAGE.

This document and other information from Parker Hannifin Corporation, its subsidiaries and authorized distributors provide product and/or system options for further investigation by users having technical expertise. It is important that you analyze all aspects of your application and review the information concerning the product or system in the current product catalog. Due to the variety of operating conditions and applications for these products or systems, the user, through its own analysis and testing, is solely responsible for making the final selection of the products and systems and assuring that all performance, safety and warning requirements of the application are met.

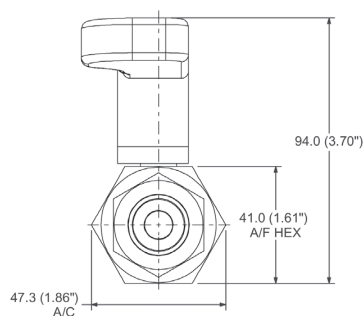
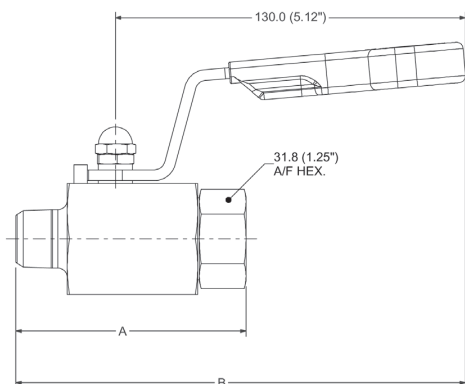
The products described herein, including without limitation, product features, specifications, designs, availability and pricing, are subject to change by Parker Hannifin Corporation and its subsidiaries at any time without notice.

### Offer of Sale

The items described in this document are hereby offered for sale by Parker Hannifin Corporation, its subsidiaries or its authorized distributors. Any Order accepted by Parker Hannifin will be subject to our terms and conditions of sale, copy available on request.

for up to Class 4500 (10,000 psi/689 bar) operations (10mm bore)

## Hi-Pro Ball Valve



### Standard range part numbers 10mm bore

Part number	Part number	Inlet	Outlet	Dimensions	
Class 2500	Class 4500	Female	Female	A mm (inch)	B mm (inch)
HPBY*4FF	HPBY*4FFHP	1/4" Female	1/4" Female	70.0 (2.76)	161.5 (6.36)
HPBY*6FF	HPBY*6FFHP	3/8" Female	3/8" Female	71.0 (2.80)	162.0 (6.38)
HPBY*8FF	HPBY*8FFHP	1/2" Female	1/2" Female	85.0 (3.35)	166.5 (6.56)
		Male	Female		
HPBY*4M4F	HPBY*4M4FHP	1/4" Male	1/4" Female	70.0 (2.76)	161.5 (6.36)
HPBY*8M8F	HPBY*8M8FHP	1/2" Male	1/2" Female	85.0 (3.35)	166.5 (6.56)
		A-LOK®	A-LOK®		
HPBY*4A	—	1/4" A-LOK®	1/4" A-LOK®	95.0 (3.74)	165.5 (6.52)
HPBY*6A	—	3/8" A-LOK®	3/8" A-LOK®	99.1 (3.90)	167.4 (6.59)
HPBY*8A	—	1/2" A-LOK®	1/2" A-LOK®	104.7 (4.12)	170.2 (6.70)
HPBY*M6A	—	6mm A-LOK®	6mm A-LOK®	95.0 (3.74)	165.5 (6.52)
HPBY*M8A	—	8mm A-LOK®	8mm A-LOK®	96.6 (3.80)	166.3 (6.55)
HPBY*M10A	—	10mm A-LOK®	10mm A-LOK®	99.5 (3.92)	167.6 (6.60)
HPBY*M12A	—	12mm A-LOK®	12mm A-LOK®	104.7 (4.12)	170.2 (6.70)

\*Insert material code - select from material matrix (B = Standard 316 Stainless Steel). For CPI™ change A to Z. "A" dimensions given for finger tight nuts. For compression ended valve pressure ratings consult tube ratings table. Combination ends are available.

**Standard product specification:** PTFE packing with PTFE seats, 10mm bore ball 6,000 psi (414 bar).

**Standard product specification:** PTFE packing with PEEK seats, 10mm bore ball 10,000 psi (689 bar).

### Cold working pressures (psi/bar) in accordance with ANSI/ASME B16.34

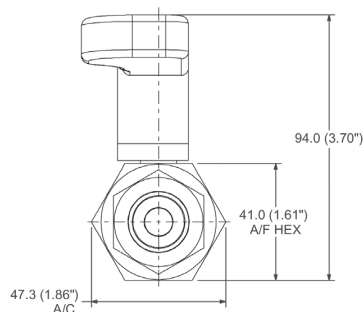
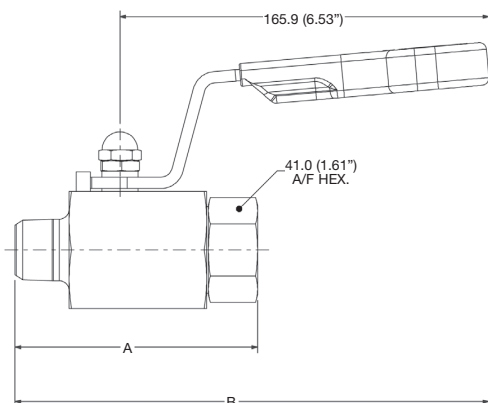
Material	*Insert	Class Rating		
		1500	2500	4500
316 Stainless steel std	B	3600/248	6000/414	10000/689
Alloy 400	D		5000/345	9000/620
Duplex	E	3600/248	6000/414	10000/689
Super Duplex	F		6000/414	10000/689
Hasteloy	G		6000/414	10000/689
6Mo	K		6000/414	10000/689
Alloy 625	M		6000/414	10000/689

Available options	Part number Suffix
Graphoil packing	3
PEEK seats	PK
Secured end connector	LC
Handle locking	HL
Spanner actuation	SA
Panel mounting	PM
Fire safe design - Graphoil packing (std)	FS
NACE compliant materials**	NC
Retro-fit handle locking kit (for site assembly)	HPHLKIT
PHlex seats	PH
Base mounting holes (consult Parker)	-

Note: Heat Code Trace (HCT) material traceability certificates available on request \*\*Does not apply for A-LOK/CPI™ ended valves in 316 stainless steel.

# Hi-Pro Ball Valve

for up to Class 4500 (10,000 psi/689 bar) operations (15mm bore)

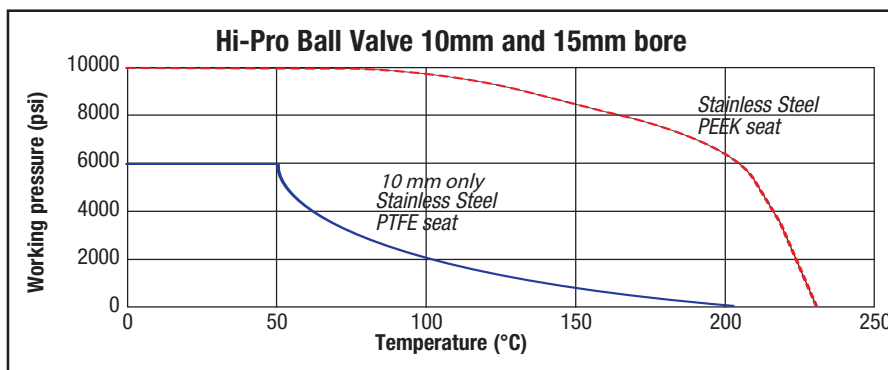


## Standard range part numbers 15mm bore

Part number	Part number	Inlet	Outlet	Dimensions	
				A mm (inch)	B mm (inch)
Class 2500	Class 4500	Female	Female		
HPBX*8FF	HPBX*8FFHP	1/2" Female	1/2" Female	97.2 (3.83)	207.9 (8.18)
		Male	Female		
HPBX*8M8F	HPBX*8M8FHP	1/2" Male	1/2" Female	102.9 (4.05)	213.6 (8.41)
		A-LOK®	A-LOK®		
HPBX*10A	—	5/8" A-LOK®	5/8" A-LOK®	118.0 (4.65)	212.6 (8.37)
HPBX*12A	—	3/4" A-LOK®	3/4" A-LOK®	121.9 (4.80)	214.6 (8.45)
HPBX*M16A	—	16mm A-LOK®	16mm A-LOK®	120.0 (4.72)	214.2 (8.43)
HPBX*M18A	—	18mm A-LOK®	18mm A-LOK®	120.0 (4.72)	214.2 (8.43)
HPBX*M20A	—	20mm A-LOK®	20mm A-LOK®	120.0 (4.72)	214.2 (8.43)

\*Insert material code - select from material matrix (B = Standard 316 Stainless Steel). For CPI™ change A to Z. "A" dimensions given for finger tight nuts. For compression ended valve pressure ratings consult tube ratings table. Combination ends are available.

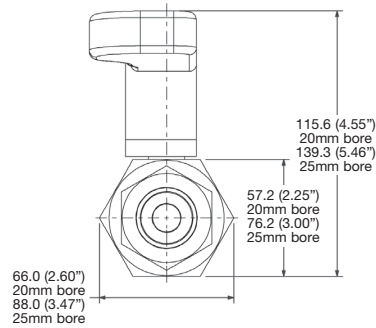
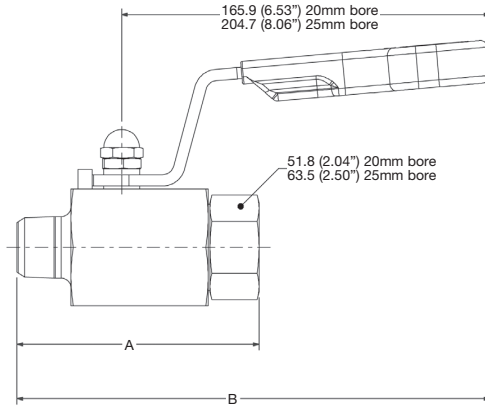
**Standard product specification:** PTFE packing with PEEK seats, 15mm bore ball - 6,000 (414 bar) and 10,000 psi (689 bar).



Materials and options as per page 3

for up to Class 2500 (6,000 psi/414 bar) operations (20 & 25mm bore)

## Hi-Pro Ball Valve



### Standard range part numbers 20mm bore

Part number	Part number	Inlet	Outlet	Dimensions	
Class 1500	Class 2500	NPT	NPT	A mm (inch)	B mm (inch)
HPBW*12FFLP	HPBW*12FF	3/4" Female	3/4" Female	89.8 (3.54)	204.1 (8.03)
HPBW*12M12FLP	HPBW*12M12F	3/4" Male	3/4" Female	102.5 (4.04)	216.8 (8.53)
		A-LOK®	A-LOK®		
HPBW*14ALP	—	7/8" A-LOK®	7/8" A-LOK®	134.0 (5.28)	221.1 (8.71)
HPBW*16ALP	—	1" A-LOK®	1" A-LOK®	137.6 (5.42)	222.9 (8.77)
HPBW*M22ALP	—	22mm A-LOK®	22mm A-LOK®	133.3 (5.25)	220.8 (8.69)
HPBW*M25ALP	—	25mm A-LOK®	25mm A-LOK®	137.1 (5.40)	222.7 (8.77)

\*Insert material code - select from material matrix (B = Standard 316 Stainless Steel). For CPI™ change A to Z. "A" dimensions given for finger tight nuts. For compression ended valve pressure ratings consult tube ratings table. Combination ends are available.

**Standard product specification:** PTFE packing with PTFE seats, 20mm bore ball 3,600 psi (247 bar).

**Standard product specification:** PTFE packing with PEEK seats, 20mm bore ball 6,000 psi (414 bar).

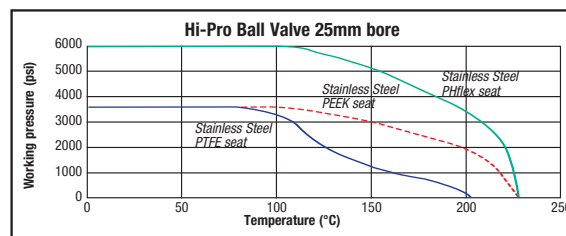
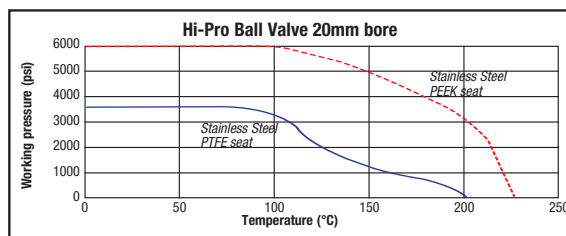
### Standard range part numbers 25mm bore

Part number	Part number	Inlet	Outlet	Dimensions	
Class 1500	Class 2500	NPT	NPT	A mm (inch)	B mm (inch)
HPBV*16FFLP	HPBV*16FF	1" Female	1" Female	128.4 (5.05)	260.3 (10.23)
HPBV*16M16FLP	HPBV*16M16F	1" Male	1" Female	132.2 (5.20)	264.1 (10.40)
		A-LOK®	A-LOK®		
HPBV*16ALP	—	1" A-LOK®	1" A-LOK®	153.2 (6.03)	269.8 (10.62)
HPBV*M25ALP	—	25mm A-LOK®	25mm A-LOK®	153.2 (6.03)	269.8 (10.62)

\*Insert material code - select from material matrix (B = Standard 316 Stainless Steel). For CPI™ change A to Z. "A" dimensions given for finger tight nuts. For compression ended valve pressure ratings consult tube ratings table. Combination ends are available.

**Standard product specification:** PTFE packing with PTFE or PEEK seats, 25mm bore ball 3,600 psi (247 bar).

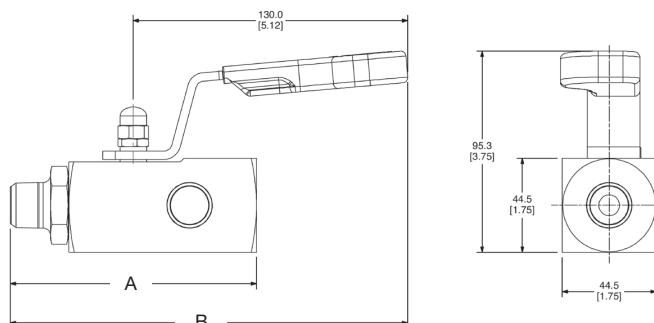
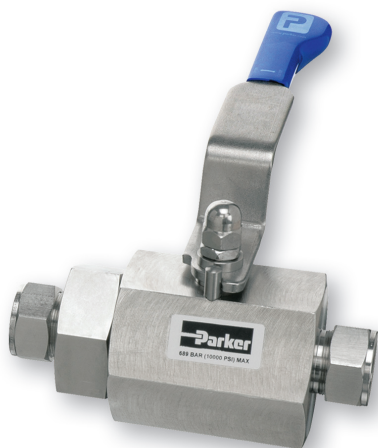
PTFE packing with PHflex seats, 25mm bore ball 6,000 psi (414 bar).



Materials and options as per page 3

# Hi-Pro Multi Port Gauge Valve

for up to Class 4500 (10,000 psi/ 689 bar) operations (10mm bore)



## Standard Product Specifications

**Part No. HPBYGVB8:** 316 Stainless Steel construction, PTFE packing, PTFE seats, 10mm bore ball, 6,000 psi (414 bar), 1/2" NPT male inlet x 3 – 1/2" NPT female outlets.

**Part No. HPBYGVB12:** 316 Stainless Steel construction, PTFE packing, PTFE seats, 10mm bore ball, 6,000 psi (414 bar), 3/4" NPT male inlet x 3 – 1/2" NPT female outlets.

**Part No. HPBYGVB8HP:** 316 Stainless Steel construction, PTFE packing, PEEK seats, 10mm bore ball, 10,000 psi (689 bar), 1/2" NPT male inlet x 3 – 1/2" NPT female outlets.

**Part No. HPBYGVB12HP:** 316 Stainless Steel construction, PTFE packing, PEEK seats, 10mm bore ball, 10,000 psi (689 bar), 3/4" NPT male inlet x 3 – 1/2" NPT female outlets.

Note: To obtain optional bleed valve and/or blank plug with the gauge valve the above part number must be suffixed accordingly. If these parts are required they will be shipped loose in the box for customer assembly using their preferred thread sealant.

Part number	Part number	Inlet	Outlet	Dimensions	
6000 psi (414 bar)	10000 psi (689 bar)	Male	Female	A mm (inch)	B mm (inch)
HPBYGV*8	HPBYGV*8HP	1/2" NPT	3x1/2" NPT	116.5 (4.59)	188.1 (7.41)
HPBYGV*12	HPBYGV*12HP	3/4" NPT	3x1/2" NPT	119.5 (4.71)	191.1 (7.52)

\*Insert material code - select from material matrix (B = Standard 316 Stainless Steel).



Bleed valve



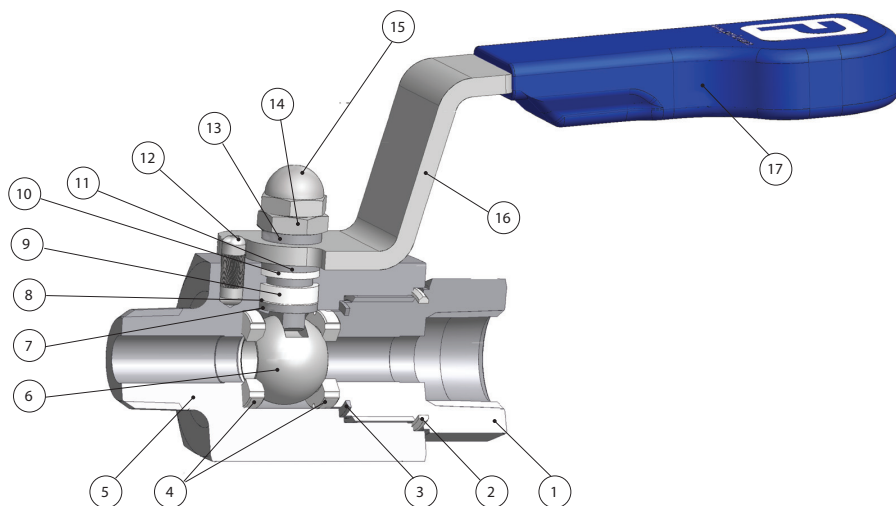
Plug

Materials and options as per page 3

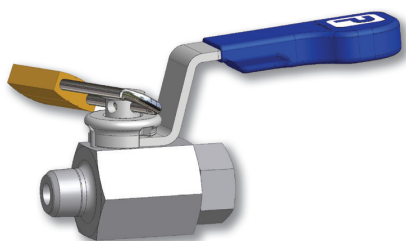
for up to Class 4500 (10,000 psi/  
689 bar) operations

## Hi-Pro Ball Valve

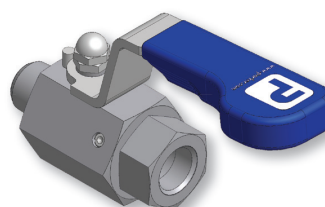
### Part description



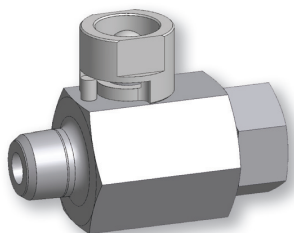
Item	Description
1	End Connector
2	E-seal™
3	Sealing washer
4	Seats
5	Body
6	Ball
7	Anti blowout stem
8	Thrust Seal
9	Gland packing
10	Upper gland packing
11	Thrust bush
12	Stop pin
13	Thrust bush
14	Lock nut
15	Locking dome nut
16	Handle
17	Handle grip



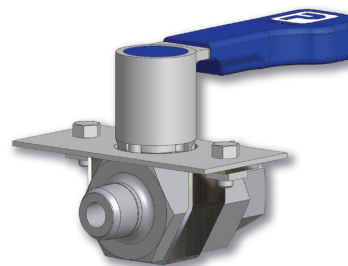
Handle locking  
(padlock not supplied)



Secured end connector  
(double pin)



Spanner actuation



Panel mounting  
(c/w nuts & bolts)

## Parker Worldwide

### Europe, Middle East, Africa

**AE – United Arab Emirates,** Dubai

Tel: +971 4 8127100  
parker.me@parker.com

**AT – Austria,** Wiener Neustadt

Tel: +43 (0)2622 23501-0  
parker.austria@parker.com

**AT – Eastern Europe,** Wiener Neustadt

Tel: +43 (0)2622 23501 900  
parker.easteurope@parker.com

**AZ – Azerbaijan,** Baku

Tel: +994 50 2233 458  
parker.azerbaijan@parker.com

**BE/LU – Belgium,** Nivelles

Tel: +32 (0)67 280 900  
parker.belgium@parker.com

**BG – Bulgaria,** Sofia

Tel: +359 2 980 1344  
parker.bulgaria@parker.com

**BY – Belarus,** Minsk

Tel: +48 (0)22 573 24 00  
parker.poland@parker.com

**CH – Switzerland,** Etoy

Tel: +41 (0)21 821 87 00  
parker.switzerland@parker.com

**CZ – Czech Republic,** Klecany

Tel: +420 284 083 111  
parker.czechrepublic@parker.com

**DE – Germany,** Kaarst

Tel: +49 (0)2131 4016 0  
parker.germany@parker.com

**DK – Denmark,** Ballerup

Tel: +45 43 56 04 00  
parker.denmark@parker.com

**ES – Spain,** Madrid

Tel: +34 902 330 001  
parker.spain@parker.com

**FI – Finland,** Vantaa

Tel: +358 (0)20 753 2500  
parker.finland@parker.com

**FR – France,** Contamine s/Arve

Tel: +33 (0)4 50 25 80 25  
parker.france@parker.com

**GR – Greece,** Athens

Tel: +30 210 933 6450  
parker.greece@parker.com

**HU – Hungary,** Budaörs

Tel: +36 23 885 470  
parker.hungary@parker.com

**IE – Ireland,** Dublin

Tel: +353 (0)1 466 6370  
parker.ireland@parker.com

**IL – Israel**

Tel: +39 02 45 19 21  
parker.israel@parker.com

**IT – Italy,** Corsico (MI)

Tel: +39 02 45 19 21  
parker.italy@parker.com

**KZ – Kazakhstan,** Almaty

Tel: +7 7273 561 000  
parker.easteurope@parker.com

**NL – The Netherlands,** Oldenzaal

Tel: +31 (0)541 585 000  
parker.nl@parker.com

**NO – Norway,** Asker

Tel: +47 66 75 34 00  
parker.norway@parker.com

**PL – Poland,** Warsaw

Tel: +48 (0)22 573 24 00  
parker.poland@parker.com

**PT – Portugal**

Tel: +351 22 999 7360  
parker.portugal@parker.com

**RO – Romania,** Bucharest

Tel: +40 21 252 1382  
parker.romania@parker.com

**RU – Russia,** Moscow

Tel: +7 495 645-2156  
parker.russia@parker.com

**SE – Sweden,** Spånga

Tel: +46 (0)8 59 79 50 00  
parker.sweden@parker.com

**SK – Slovakia,** Banská Bystrica

Tel: +421 484 162 252  
parker.slovakia@parker.com

**SL – Slovenia,** Novo Mesto

Tel: +386 7 337 6650  
parker.slovenia@parker.com

**TR – Turkey,** Istanbul

Tel: +90 216 4997081  
parker.turkey@parker.com

**UA – Ukraine,** Kiev

Tel: +48 (0)22 573 24 00  
parker.poland@parker.com

**UK – United Kingdom,** Warwick

Tel: +44 (0)1926 317 878  
parker.uk@parker.com

**ZA – South Africa,** Kempton Park

Tel: +27 (0)11 961 0700  
parker.southafrica@parker.com

### North America

**CA – Canada,** Milton, Ontario

Tel: +1 905 693 3000

**US – USA,** Cleveland

Tel: +1 216 896 3000

### Asia Pacific

**AU – Australia,** Castle Hill

Tel: +61 (0)2-9634 7777

**CN – China,** Shanghai

Tel: +86 21 2899 5000

**HK – Hong Kong**

Tel: +852 2428 8008

**IN – India,** Mumbai

Tel: +91 22 6513 7081-85

**JP – Japan,** Tokyo

Tel: +81 (0)3 6408 3901

**KR – South Korea,** Seoul

Tel: +82 2 559 0400

**MY – Malaysia,** Shah Alam

Tel: +60 3 7849 0800

**NZ – New Zealand,** Mt Wellington

Tel: +64 9 574 1744

**SG – Singapore**

Tel: +65 6887 6300

**TH – Thailand,** Bangkok

Tel: +662 186 7000

**TW – Taiwan,** Taipei

Tel: +886 2 2298 8987

### South America

**AR – Argentina,** Buenos Aires

Tel: +54 3327 44 4129

**BR – Brazil,** Sao Jose dos Campos

Tel: +55 800 727 5374

**CL – Chile,** Santiago

Tel: +56 2 623 1216

**MX – Mexico,** Toluca

Tel: +52 72 2275 4200

© 2017 Parker Hannifin Corporation. All rights reserved.

Catalogue 4190-HBV 06/2017



Parker Hannifin Manufacturing Ltd.  
Instrumentation Products Division,  
Europe  
Pottington Business Park  
Barnstaple EX31 1NP  
United Kingdom  
Tel: +44 (0) 1271 313131  
www.parker.com/ipd

Parker Hannifin Corporation  
Instrumentation Products Division  
1005 A Cleaner Way  
Huntsville, AL 35805  
United States of America  
Tel: +1 (256) 881-2040  
www.parker.com/ipd

**EMEA Product Information Centre**  
**Free phone: 00 800 27 27 5374**  
(from AT, BE, CH, CZ, DE, DK, EE, ES,  
FI, FR, IE, IL, IS, IT, LU, MT, NL, NO, PL,  
PT, RU, SE, SK, UK, ZA)  
**US Product Information Centre**  
**Toll-free number: 1-800-27 27 537**  
www.parker.com