

Glass-Filled Nylon and Metal Breathers

IP65 Rated, Metal, Screw-on and Lockables Reservoir Equipment



Compact and lightweight reservoir solutions

IP65 Co-polymer breathers and metal breathers

The IP65 rated range of moulded, non-corrodible, glass-filled nylon air breathers combine strength with a lightweight design. Single hole, 6-hole, 3-hole and screw-on options are available; plus metal air breather, filler breather and lockable options are a proven range of quality reservoir solutions.



Contact Information:

Parker Hannifin
Hydraulic Filter Division Europe

European Product
Information Centre
Freephone: 00800 27 27 5374
(from AT, BE, CH, CZ, DE, EE, ES,
FI, FR, IE, IT, PT, SE, SK, UK)
filtrationinfo@parker.com

www.parker.com/hfde

Product Features:

- Moulded in non-corrodible, glass-filled nylon – strong and light.
- Single hole, 6 hole and 3 hole installation.
- Screw-on breather range – G $\frac{1}{2}$ and G $\frac{3}{4}$ options.
- Compact range – G $\frac{1}{4}$, G $\frac{3}{8}$, R $\frac{1}{2}$ and R $\frac{3}{4}$ options.
- Metal filler breathers – pressurized threaded type.
- Metal filler breathers – unpressurized threaded type.
- Filter flange type.
- Lockable range for reservoir security and oil protection.



IP65 Rated Filler Breathers

Reservoir Equipment

Specification for Single and 6 Hole Installation



Option 1

Construction:
Moulded in non-corrodible glass-filled nylon combining strength with a lightweight design.

Options:
(1) single (63mm dia) hole Filler breather installation that eliminates drilled and tapped holes using self-locking clamps.
(2) 6 hole Filler Breather Installation that uses 6 x No 10 thread forming screws.
(3) 3 hole filler breather utilises 3 x zinc and clear chromate plated steel screws.

Strainers:
Unique design diffuses oil flow into the reservoir.
(1) Single length in polypropylene (95mm length)
(2) 2-piece telescopic in polypropylene (195mm length max.)

Filtration element:
Expanded polyurethane foam, 10 micron Absolute.

Seals:
Nitrile.

Working temperature:
-30°C to +90°C.

Pressurised filler breathers:
Available in 3 pressure options to maintain a positive pressure in a reservoir.

Pressurisation options:
0.2, 0.35 and 0.7 bar crack pressure.

Pressurisation valve:
Nylon/Nitrile.

Dipstick:
Available for use with options 1 and 2. Dipsticks are available in 2 lengths and in packs of 10.

Dipstick material:
ABS.

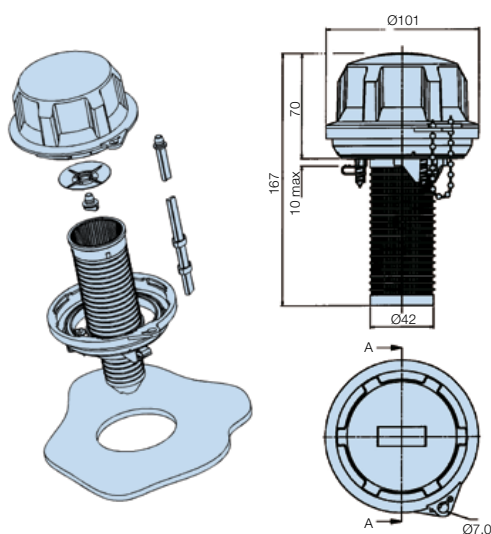
Hi/Lo indicators:
Acetal. Adjustable Red/Green level indicators.

Dipstick lengths:
200mm and 400mm.

Breather weight:
0.2Kg.

Anti-splash feature:
The unique design anti-splash feature is standard on all options 1 and 2 and allows for a dipstick to be fitted if required.

Option 1 Filler Breathers (Single Hole Installation)



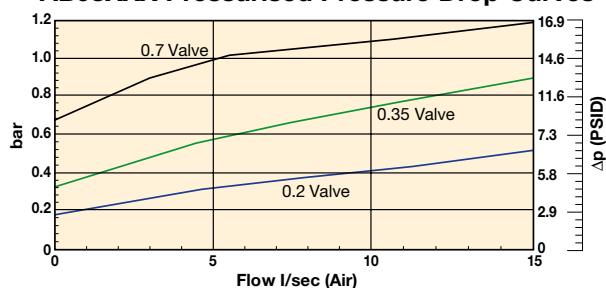
Option 1. Single Hole Filler Breathers – Pressurised

Part number	Supersedes	Description 10µ abs.
AB98212011	AB.98212011.UC	Pressurised 0.2bar with 95mm strainer
AB98213011	AB.98213011.UC	Pressurised 0.35bar with 95mm strainer
AB98212001	AB.98212001.UC	Pressurised 0.2bar without strainer
AB98212021	AB.98212021.UC	Pressurised 0.2bar with telescopic strainer
AB98213001	AB.98213001.UC	Pressurised 0.35bar without strainer
AB98213021	AB.98213021.UC	Pressurised 0.35bar with telescopic strainer
AB98217001	AB.98217001.UC	Pressurised 0.7bar without strainer
AB98217011	AB.98217011.UC	Pressurised 0.7bar with 95mm strainer
AB98217021	AB.98217021.UC	Pressurised 0.7bar with telescopic strainer

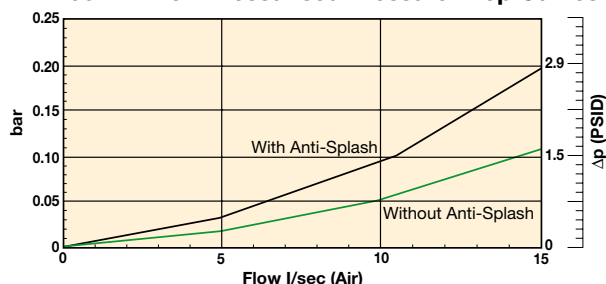
Note 1: Part numbers featured with bold highlighted codes will ensure a 'standard' product selection.

Note 2: Alternate displayed part number selection will require you to contact Parker Filtration for availability.

AB98XXX Pressurised Pressure Drop Curves



AB98XXX Non-Pressurised Pressure Drop Curves



Option 1. Single Hole Filler Breathers – Non-Pressurised

Part number	Supersedes	Description 10µ abs.
AB98210011	AB.98210011.UC	Filler breather with 95mm strainer
AB98210021	AB.98210021.UC	Filler breather with telescopic strainer
AB98210001	AB.98210001.UC	Filler breather without strainer

Note 1: Part numbers featured with bold highlighted codes will ensure a 'standard' product selection.

Note 2: Alternate displayed part number selection will require you to contact Parker Filtration for availability.



Filler Breathers (6 Hole Installation)

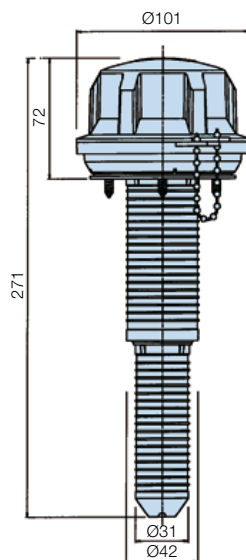
Option 2

Note 1. Un-pressurised 6 hole fixing:

Form 6 off tank mounting holes between Ø4.0 and 4.4mm (dependent on the material and thickness – see guide below) equispaced on 70-73mm P.C.D. to suit supplied No.10 thread forming screws.

Note 2. Pressurised 6-hole fixing:

Form 6 off tank mounting holes between Ø4.0 and Ø4.4mm (dependent on the material and thickness – see guide below) equispaced on 73mm P.C.D. to suit supplied No.10 thread forming screws.

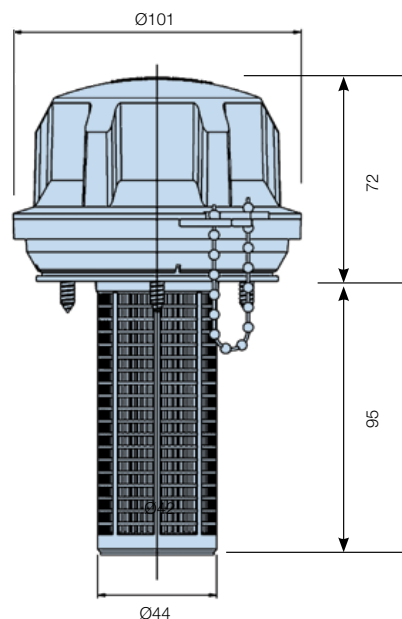


Telescopic Strainer

The telescopic strainer design is ideal, where reservoir depth allows, to increase the surface area of the strainer, improving still further its straining ability, oil flow-through and allowing for longer dipstick lengths.

Note 3. Reservoir mounting guide

Sheet thickness mm	Hole size mm
1.2	4.0
2.0	4.10
3.15	4.30
4.0	4.30
5.0	4.40



Option 2. 6 Hole Filler Breathers – Pressurised

Part number	Supersedes	Description 10µ abs
AB98817011	AB.98817011.UC	Pressurised 0.7bar with 95mm strainer
AB98812001	AB.98812001.UC	Pressurised 0.2bar without strainer
AB98812011	AB.98812011.UC	Pressurised 0.2bar with 95mm strainer
AB98812021	AB.98812021.UC	Pressurised 0.2bar with telescopic strainer
AB98813001	AB.98813001.UC	Pressurised 0.35bar without strainer
AB98813011	AB.98813011.UC	Pressurised 0.35bar with 95mm strainer
AB98813021	AB.98813021.UC	Pressurised 0.35bar with telescopic strainer
AB98817001	AB.98817001.UC	Pressurised 0.7bar without strainer
AB98817021	AB.98817021.UC	Pressurised 0.7bar with telescopic strainer

Note 1: Part numbers featured with bold highlighted codes will ensure a 'standard' product selection.

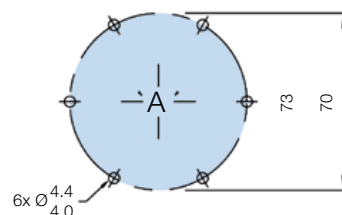
Note 2: Alternate displayed part number selection will require you to contact Parker Filtration for availability.

Option 2. 6 Hole Filler Breathers – Non-Pressurised

Part number	Supersedes	Description 10µ abs
AB98810001	AB.98810001.UC	Filler breather without strainer
AB98810011	AB.98810011.UC	Filler breather with 95mm strainer
AB98810021	AB.98810021.UC	Filler breather with telescopic strainer

Note 1: Part numbers featured with bold highlighted codes will ensure a 'standard' product selection.

Note 2: Alternate displayed part number selection will require you to contact Parker Filtration for availability.



Filler Breathers

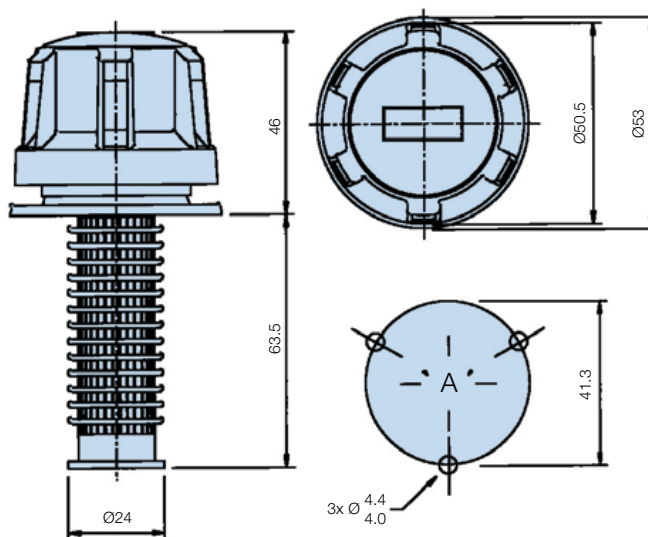
Reservoir Equipment

Option 3 Filler Breathers (3 Hole Installation)



New Options Fully Tested

As part of the design development programme for the new IP65 Filler Breathers, extensive performance and endurance testing was carried out to ensure durability and efficiency.



Note: Form 3 off tank mounting holes between $\text{Ø}4.0$ and $\text{Ø}4.4\text{mm}$ (dependent on the material and thickness – see chart for guide) equispaced on 41.3 P.C.D. to suit No. 10 thread forming screws supplied.

3-hole Filler Breathers (6-hole available)

Part number	Description
AB68110	Filler breather without strainer
AB68118	Filler breather with 95mm strainer

Note 1: Part numbers featured with bold highlighted codes will ensure a 'standard' product selection.
 Note 2: Alternate displayed part number selection will require you to contact Parker Filtration for availability.
 Note 3: Not suitable for use with B.68206/207
 Note 4: 6-hole AB.68910/AB.68918 option available.

Dipstick Options

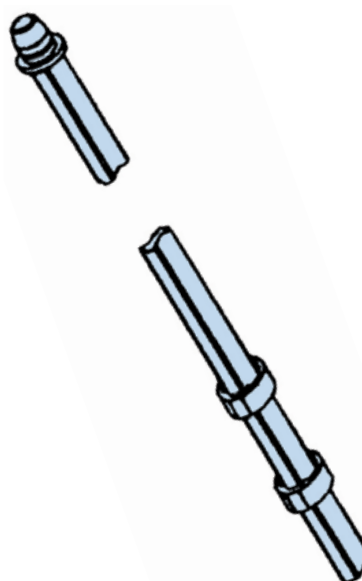
Dipstick Ordering

Part number	Supersedes	Description
B68206	DIP.206	10 x 200mm Dipsticks
B68207	DIP.207	10 x 400mm Dipsticks

Note 1: Part numbers featured with bold highlighted codes will ensure a 'standard' product selection.
 Note 2: Alternate displayed part number selection will require you to contact Parker Filtration for availability.

Dipsticks

The dipstick, available in 2 lengths – 200mm and 400mm, can be cut to the required length or left as it is and the Hi/Lo indicators moved and positioned on the dipstick itself by squeezing the sides of the indicator and repositioning along the dipstick.



Screw-On Type Air Breathers

Reservoir Equipment

Standard Screw-On Breathers - Specification



Option 1- G^{1/2} and G^{3/4} (Ø101)

Construction:

Moulded in non-corrodible glass-filled nylon combining strength with a lightweight design.

Option 1:

2 screw on type air breathers are available – G^{1/2} or G^{3/4} threaded base models.

Filtration element:

Expanded polyurethane foam, 10 micron absolute.

Seals:

Nitrile.

Working temperature:

-30°C to +90°C.

Pressurised air breathers:

Available in 3 pressure options to maintain a positive pressure in a reservoir.

Pressurisation options:

0.2, 0.35 and 0.7 bar crack pressure.

Pressurisation valve:

Nylon/Nitrile.

Dipstick:

Available for use with all options. Dipsticks are available in 2 lengths and in packs of 10.

Dipstick material:

ABS.

Hi/Lo indicators:

Acetal. Adjustable red/green level indicators.

Dipstick lengths:

200mm and 400mm.

Breather weight:

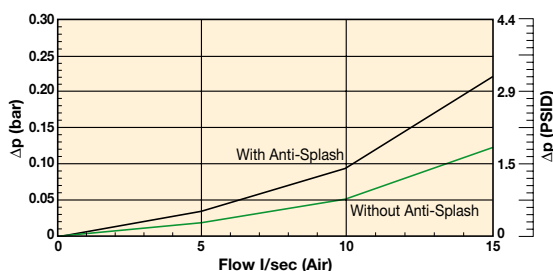
0.2Kg.

Anti-splash feature:

The unique design anti-splash feature is standard on option 1 and allows for a dipstick to be fitted if required.

Pressure Drop Flow Curve

AB98XXX Screw-on Non-Pressurised Pressure Drop Curves



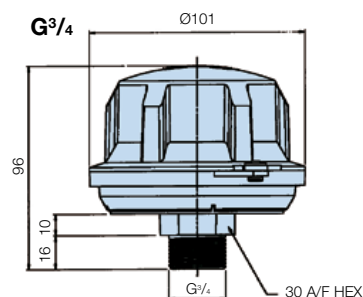
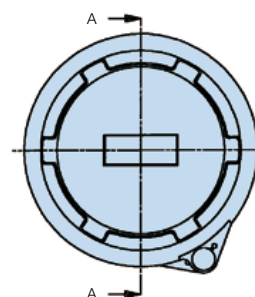
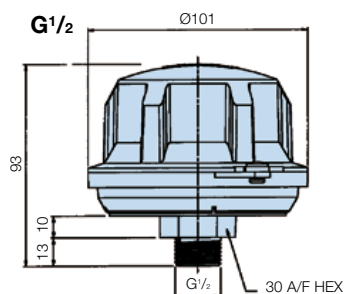
Note: For pressure drop information on the Option 1. Pressurised consult Parker Filtration.

Option 1 - G^{1/2} or G^{3/4}

Part number	Supersedes	Description 10µ nom Abs.
AB98610101	AB.98610101.UC	G ^{1/2} Un-pressurised
AB98612101	AB.98612101.UC	G ^{1/2} pressurised 0.2 bar
AB98613101	AB.98613101.UC	G ^{1/2} pressurised 0.35 bar
AB98617101	AB.98617101.UC	G ^{1/2} pressurised 0.7 bar
AB98410101	AB.98410101.UC	G ^{3/4} Un-pressurised
AB98412101	AB.98412101.UC	G ^{3/4} pressurised 0.2 bar
AB98413101	AB.98413101.UC	G ^{3/4} pressurised 0.35 bar
AB98417101	AB.98417101.UC	G ^{3/4} pressurised 0.7 bar

Note 1: Part numbers featured with bold highlighted codes will ensure a 'standard' product selection.

Note 2: Alternate displayed part number selection will require you to contact Parker Filtration for availability.



Screw-On Type Air Breathers

Reservoir Equipment

Compact Screw-On Breathers - Specification

Option 2 – G^{1/4}, G^{3/8}, R^{1/2} and R^{3/4} (Ø40)

Construction:

G^{1/4}, G^{3/8}, R^{1/2} and R^{3/4} cap and base plate mouldings in nylon 66.

Element:

Expanded Polyurethane foam, 10 micron absolute.

Dipstick:

Available for use with R^{1/2} and R^{3/4}.

Dipstick material:

ABS.

Hi/Lo indicators:

Acetal adjustable red/green level indicators.

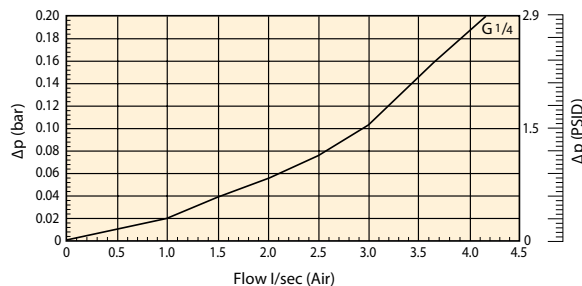
Dipstick lengths:

200mm and 400mm (packs of 10).

Breather weights:

0.028Kg

Pressure Drop Flow Curve



Note: For pressure drop information on G^{3/8}, R^{1/2} and R^{3/4}, consult Parker Filtration.

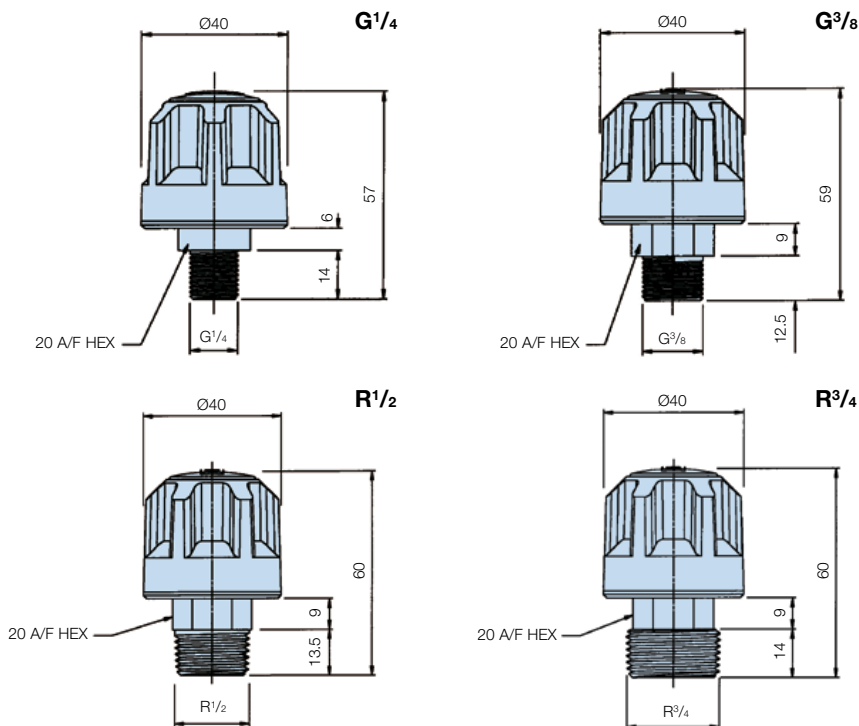
Ordering Information

Option 2 – G^{1/4}, G^{3/8}, R^{1/2} and R^{3/4} (Packs of 10 only)

Part number	Supersedes	Description 10µ abs
AB683101	AB.683101.UC	G ^{1/4} Un-pressurised
AB68X101	AB.68X101.UC	G ^{3/8} Un-pressurised
AB68Y101	AB.68Y101.UC	R ^{1/2} Un-pressurised
AB68Z101	AB.68Z101.UC	R ^{3/4} Un-pressurised

Note 1: Part numbers featured with bold highlighted codes will ensure a 'standard' product selection.

Note 2: Alternate displayed part number selection will require you to contact Parker Filtration for availability.



Screw-On Type Air Breathers - Specification

Option 3 – G^{3/8}, G^{1/2} and G^{3/4} (Ø70)

Construction:

Mouldings in glass-filled nylon and glass coupled polypropylene.

Element:

Expanded Polyurethane foam, 10 micron absolute.

Seals:

Nitrile.

Pressurised air breathers:

Available G^{3/8}, G^{1/2} and G^{3/4},

3 pressure options to maintain a positive pressure in a reservoir.

Pressurisation options:

0.2, 0.35 and 0.7 bar crack pressure.

Pressurisation valve:

Nylon.

Dipstick:

Available for use with G^{3/8}, G^{1/2} and G^{3/4}.

Dipstick material:

Mini-series in brass.

Hi/Lo indicators:

Acetal adjustable red/green level indicators.

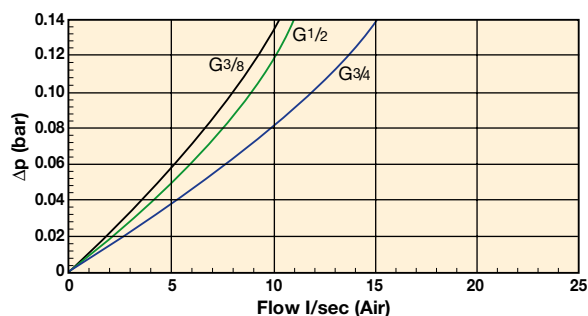
Dipstick lengths:

200mm and 400mm (packs of 10).

Breather weights:

0.075Kg, Mini-series – 0.019Kg.

Pressure Drop Flow Curve



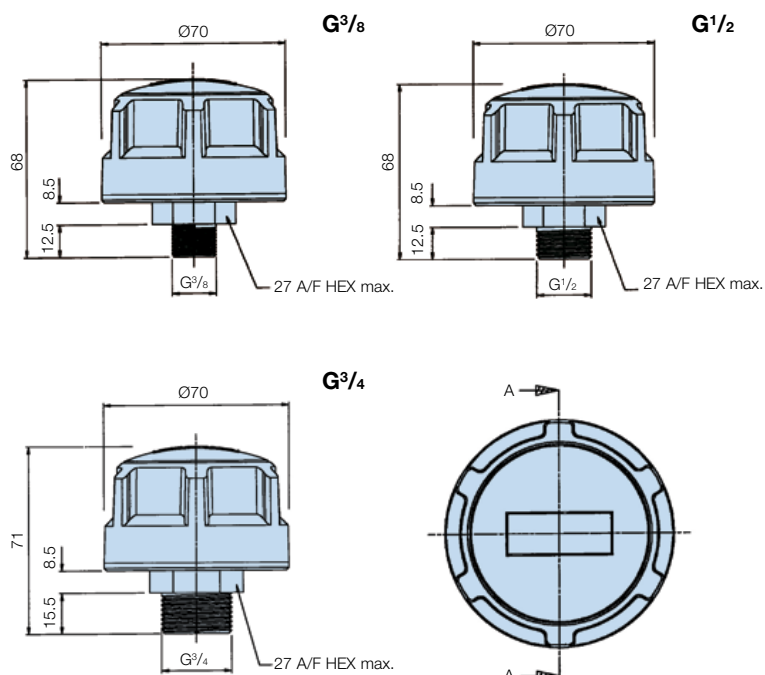
Ordering Information

Option 3 – G^{3/8}, G^{1/2} and G^{3/4}

Part number	Supersedes	Description 10µ abs
AB685101	SAB.5101	G ^{3/8} Un-pressurised
AB687101	SAB.7101	G ^{1/2} Un-pressurised
AB686101	SAB.6101	G ^{3/4} Un-pressurised

Note 1: Part numbers featured with bold highlighted codes will ensure a 'standard' product selection.

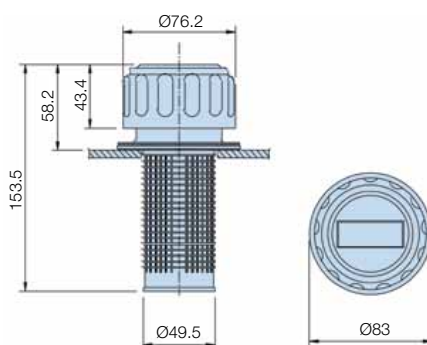
Note 2: Alternate displayed part number selection will require you to contact Parker Filtration for availability.



Filler Breathers (Metal)

Reservoir Equipment

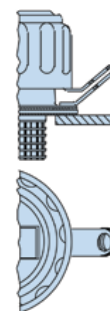
Metal Airbreather/Filler breather Specification



Note: Dimensions relate to 1163 and 1730 options.
Note: Max. operating temperature = +90°C.

Locking lug option (5561)

For added security, certain Parker Filtration Metal Filler Breather Filters can be specified with a locking lug option.



Ordering Information

Standard products table

Part number	Supersedes	Replacement cap	Supersedes	Displacement l/min	Crack pressure	Micron rating	Air flow m ³ /min	Thread	Weight
Threaded airbreather (unpressurised)									
SAB156210	SAB.1562.10	N/A	N/A	430	N/A	10µ abs	0.45	G ³ / ₄	0.20kg
SAB156310	SAB.1563.10	N/A	N/A	135	N/A	10µ abs	0.15	G ¹ / ₄	0.06kg
Filler breather - filter flange type (unpressurised)									
AB116310	AB.1163.10	CAP.116310	CAP.1163.10	430	N/A	10µ abs	0.45	N/A	0.24kg
AB138010	AB.1380.10	CAP.138010	CAP.1380.10	135	N/A	10µ abs	0.15	N/A	0.08kg
5561	N/A	N/A	N/A	430	N/A	10µ abs	0.45	N/A	0.24kg
Filler breather - filter flange type (pressurised)									
PAB1730105	PAB.1730.10.5	CAP.1730105	CAP.1730.10.5	430	0.35 bar	10µ abs	0.45	N/A	0.27kg
PAB17301010	PAB.1730.10.10	CAP.17301010	CAP.1730.10.10	430	0.70 bar	10µ abs	0.45	N/A	0.27kg
Air breather - threaded type (pressurised)									
SPA1731105	SPA.1731.10.5	N/A	N/A	430	0.35 bar	10µ abs	0.45	G ³ / ₄	0.20kg
SPA17311010	SPA.1731.10.10	N/A	N/A	430	0.70 bar	10µ abs	0.45	G ³ / ₄	0.20kg

Note 1: Part numbers featured with bold highlighted codes will ensure a 'standard' product selection.

Note 2: Alternate displayed part number selection will require you to contact Parker Filtration for availability.



1731 - (Pressurised) - 1562 (Un-pressurised) - Threaded type

Displacement:
430 l/min.

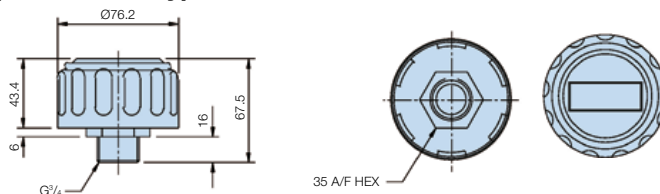
Micron rating:
10µ abs

Air flow:
0.45m³/min.

Weight:
0.2 Kg.

Thread:
G³/₄.

Valve crack-pressure 1731:
0.35 and 0.7 bar.



1563 - Threaded type (Un-pressurised)

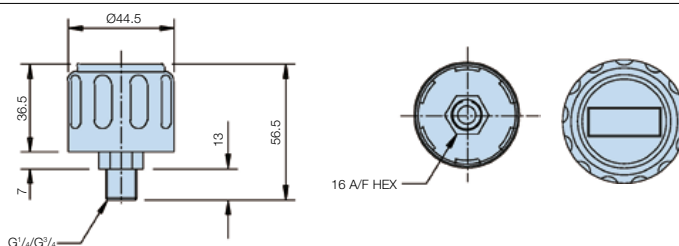
Displacement:
1562 = 430 l/min.
1563 = 135 l/min.

Micron rating:
10µ abs

Air flow:
1562 = 0.45m³/min.
1563 = 0.15m³/min.

Weight:
1562 = 0.20 Kg.
1563 = 0.06 Kg.

Thread:
1562 = G³/₄.
1563 = G¹/₄.



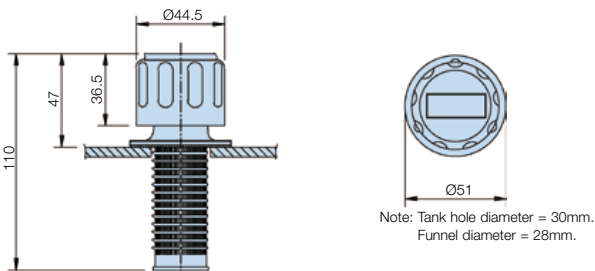
1380 - Filter flange type

Displacement:
135 l/min.

Micron rating:
10µ abs

Air flow:
0.15m³/min.

Weight:
0.08 Kg.



Tank installation notes

1. Un-pressurised 6 hole fixing (Type 1163)

Form off tank mounting holes between Ø4.0 and Ø4.4 (dependant on the material and thickness, consult Parker Filtration) equispaced on 70.0-73.0 P.C.D. to suit
No. 10 thread forming screws supplied.

2. Pressurised 6 hole fixing (Type 1730)

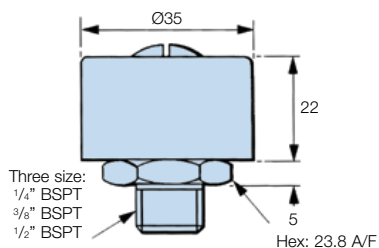
Form 6 off mounting holes between Ø4.0 and Ø4.4 equispaced on 73.0 P.C.D. to suit
No. 10 thread forming screws supplied.

3. Un-pressurised 3 hole fixing (Type 1380)

Form 3 off tank mounting holes between Ø5.25 – 5.35 mm equispaced on 41.3 P.C.D. to suit
No. 10 thread forming screws supplied.

Breather Units

Small Breather Specification



Ordering Information

Part number	Supersedes	Description
H00279001	H00279-001	Small breather 1/4 BSPT thread
H00279002	H00279-002	Small breather 3/8 BSPT thread
H00279003	H00279-003	Small breather 1/2 BSPT thread

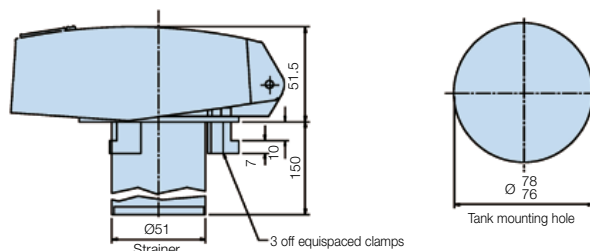
Lockable Filler Breather

Reservoir Equipment

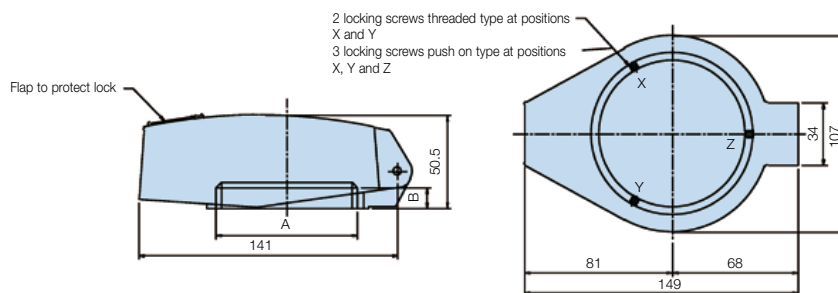
Installation Details



Tank Mounting

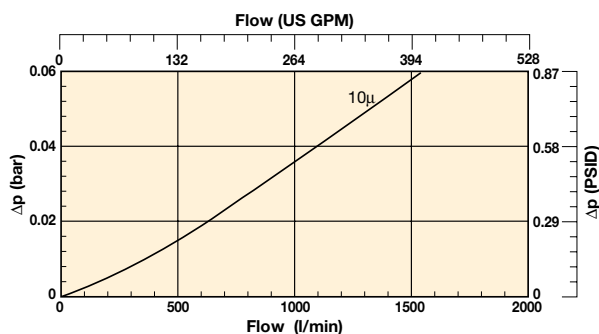


Stand Pipe Mounting



Lockable Filler Breather Selection

Total assembly pressure drop flow curve – 10µ elements



Ordering Information

Part number	Description
LFC622142	Non-breathing (No element) Clamp mounting with strainer
LFC622212	10µ nom element, G2 thread with strainer
LFC622242	10µ nom element, clamp mounting with strainer
LFC622432	10µ nom vented (air in) push on mounting with strainer
LFC622122	Non-breathing (No element) 2 1/2" BSP thread with strainer
LFC622222	10µ nom element, G2 1/2" thread with strainer
LFC622411	10µ nom vented (air in) G2 thread without strainer

Note 1: Part numbers featured with bold highlighted codes will ensure a 'standard' product selection.
 Note 2: Alternate displayed part number selection will require you to contact Parker Filtration for availability.

