

PR Parker Liquid Line Filter Driers



Customer Value Proposition:

PARKER Liquid Line Filter Driers, PR ensure the protection of refrigeration and air conditioning systems from moisture, acids and solid particles.

PR liquid line filter driers contain solid cores made with 100% 3Å molecular sieve for a maximum efficiency of dehydration and to minimise the pressure drop in all thermodynamic systems.

PR liquid line filter driers are suitable for HCFC, HFC and CO₂ refrigerants and their associated oils, while respecting the maximum pressure allowable.

PR liquid line filter driers contribute to maintain the cleanliness of the circuits, the efficiency of the systems and extend their life expectancies.

This reduces both the running and maintenance costs thanks to a better protection of the main components like the compressor and the expansion valve.



Product Family:

- Filter driers

Applications:

- Refrigeration
- Air conditioning
- Heat pumps

Advantages:

- PS: 45bar TS -40°C to 80°C
- Solid core 100% 3Å molecular sieve
- Solder fittings in copper (1/4" to 7/8")
- Flare fittings in nickel steel plated (1/4" to 5/8")
- Metric fittings in copper (6 mm to 16 mm)
- 100% leak tested at 41.3 bar
- Corrosion resistance >500 hours (ASTM B 117, ISO 9227)
- Suitable for HCFC, HFC and R744 subcritical
- PED 2014/68/EU
- REACH 2006/1907/EC



ENGINEERING YOUR SUCCESS.

Technical Data

Flare Connections

Part Number	Fitting Type SAE	Overall Length (L) mm	Shell Diam (D) mm	Weight kg	Master Box Qty	Liquid Line Cooling Capacity (kW) ¹				
						R134a	R404A R507	R407C	R410A R22	R744 ²
PR032FM	1/4"	102.9	50.8	0.3	10	6.0	4.4	6.2	6.5	8.7
PR032	1/4"	110.8	50.8	0.3	10	6.0	4.4	6.2	6.5	8.7
PR033	3/8"	122.0	50.8	0.3	10	15.5	11.4	16.0	16.9	23.3
PR052FM	1/4"	112.5	50.8	0.3	10	6.5	4.7	6.7	7.0	9.5
PR052	1/4"	120.4	50.8	0.3	10	6.5	4.7	6.7	7.0	9.5
PR053	3/8"	131.6	50.8	0.3	10	16.9	12.2	17.3	18.2	25.3
PR082	1/4"	142.5	63.5	0.6	10	7.1	5.1	7.2	7.6	10.7
PR082FM	1/4"	134.6	63.5	0.6	10	7.1	5.1	7.2	7.6	10.7
PR083FM	3/8"	144.9	63.5	0.6	10	17.4	12.5	17.8	18.7	26.1
PR083	3/8"	153.7	63.5	0.6	10	17.4	12.5	17.8	18.7	26.1
PR084	1/2"	160.3	63.5	0.6	10	26.3	19.0	26.9	28.3	39.3
PR162	1/4"	161.5	63.5	0.7	10	7.1	5.1	7.2	7.6	10.7
PR163	3/8"	172.7	63.5	0.7	10	19.2	13.9	19.7	20.7	29.0
PR164	1/2"	179.3	63.5	0.7	10	34.6	25.1	35.6	37.4	52.0
PR165	5/8"	186.9	63.5	0.8	10	46.6	33.7	47.8	50.3	69.9
PR303	3/8"	251.2	76.2	1.5	10	19.7	14.2	20.2	21.2	29.0
PR304	1/2"	257.8	76.2	1.6	10	38.0	27.4	38.9	40.9	57.0
PR305	5/8"	265.4	76.2	1.6	10	48.4	35.0	49.5	52.1	72.1
PR414	1/2"	259.9	88.9	2.2	10	39.8	28.8	40.8	43.0	59.1
PR415	5/8"	267.5	88.9	2.2	10	51.5	37.2	52.8	55.6	77.4

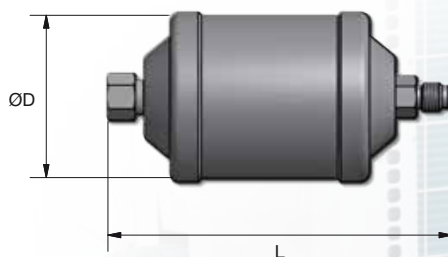
FM: Connections Inlet Female, Outlet Male

1. Cooling capacity in accordance with ARI 710-86 standard
Te = -15°C, Tc = 30°C, Δp = 0.07 bar (1 psig)

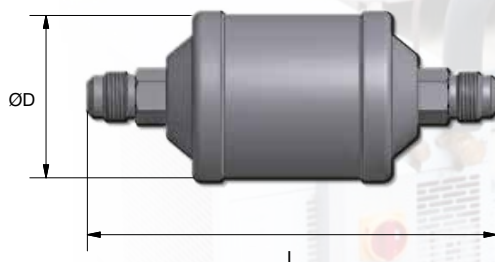
2. Cooling capacity based on
Te = -30°C, Tc = -5°C, Δp = 0.07 bar (1 psig)

Other refrigerants, contact us.

Female/Male Flare



Flare



Technical Data

Solder Connections

Part Number	Fitting Type ODF	Overall Length (L) mm	Lay in Length (A) mm	Shell Diam (D) mm	Weight kg	Master Box Qty	Liquid Line Cooling Capacity (kW) ¹				
							R134a	R404A R507	R407C	R410A R22	R744 ²
PR032S	1/4"	99.1	80.3	50.8	0.3	10	6.1	4.4	6.3	6.6	8.8
PR033S	3/8"	102.7	80.3	50.8	0.3	10	15.8	11.6	16.2	17.1	23.7
PR052S	1/4"	108.7	89.9	50.8	0.3	10	6.6	4.7	6.8	7.1	9.6
PR053S	3/8"	112.3	89.9	50.8	0.3	10	17.1	12.4	17.5	18.4	25.4
PR082S	1/4"	130.8	112	63.5	0.3	10	7.2	5.2	7.3	7.7	10.5
PR083S	3/8"	134.4	112	63.5	0.3	10	17.6	12.7	18.0	19.0	26.0
PR084S	1/2"	137.4	112	63.5	0.3	10	26.7	19.3	27.3	28.7	39.9
PR162S	1/4"	149.8	131	63.5	0.7	10	7.2	5.2	7.3	7.7	10.5
PR163S	3/8"	153.4	131	63.5	0.7	10	19.5	14.1	20.0	21.0	28.8
PR164S	1/2"	156.4	131	63.5	0.7	10	35.1	25.4	36.1	37.9	52.5
PR165S	5/8"	162.5	131	63.5	0.7	10	47.0	34.0	48.2	50.7	70.4
PR303S	3/8"	231.9	209.5	76.2	1.5	10	20.0	14.4	20.5	21.5	25.6
PR304S	1/2"	234.9	209.5	76.2	1.5	10	38.5	27.8	39.4	41.5	57.5
PR305S	5/8"	241	209.5	76.2	1.5	10	48.8	35.3	49.9	52.6	73.0
PR307SC	7/8"	258.8	220.6	76.2	1.5	10	59.3	42.8	60.7	63.9	88.3
PR414S	1/2"	237	211.6	88.9	2.1	10	40.4	29.1	41.4	43.6	54.2
PR415S	5/8"	243.1	211.6	88.9	2.1	10	52.0	37.5	53.3	56.1	78.4
PR417S	7/8"	260.9	222.7	88.9	2.1	10	73.4	53.1	75.2	79.2	110.1
PR757S	7/8"	346.7	308.5	88.9	3.0	10	78.2	56.5	80.1	84.3	118.2

Metric Fittings

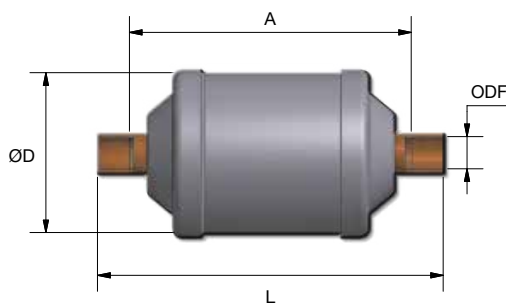
PR0306MMS	6 mm	99.1	85.1	50.8	0.3	10	5.8	4.2	6.0	6.3	8.3
PR0308MMS	8 mm	102.7	80.3	50.8	0.3	10	15.8	11.6	16.2	17.1	22.6
PR0506MMS	6 mm	108.7	94.7	50.8	0.3	10	6.3	4.5	6.5	6.8	9.1
PR0510MMS	10 mm	112.3	89.9	50.8	0.3	10	17.4	12.6	17.9	18.8	25.9
PR0806MMS	6 mm	130.8	116.8	63.5	0.6	10	6.8	4.9	6.9	7.3	9.9
PR0810MMS	10 mm	134.4	112	63.5	0.6	10	18.0	12.9	18.4	19.3	26.5
PR0812MMS	12 mm	137.4	113	63.5	0.6	10	25.6	18.5	26.2	27.6	42.4
PR1610MMS	10 mm	153.4	131	63.5	0.7	10	17.7	12.7	18.1	19.1	26.2
PR1612MMS	12 mm	156.4	132	63.5	0.7	10	33.7	24.4	34.6	36.4	50.5
PR1616MMS	16 mm	162.5	131	63.5	0.7	10	49.9	36.1	51.1	53.8	86.2
PR3016MMS	16 mm	241	209.5	76.2	1.5	10	51.7	37.4	52.9	55.7	77.5
PR4116MMS	16 mm	243.1	211.6	88.9	2.1	10	55.1	39.8	56.5	59.4	82.7

1. Cooling capacity in accordance with ARI 710-86 standard
Te = -15°C, Tc = 30°C, Δp = 0.07 bar (1 psig)

Other refrigerants, contact us.

2. Cooling capacity based on
Te = -30°C, Tc = -5°C, Δp = 0.07 bar (1 psig)

Solder



Parker Worldwide

United Arab Emirates Middle East

Sarkis OHANNESSIAN
Tel +961 3334622
sohannessian@parker.com

Germany and German speaking part of Switzerland

Francesco GALANTE
Tel +49 (0)175 5756 032
francesco.galante@parker.com

Spain and Portugal

Alberto PEÑA
Tel +34 609 153 154
alberto.pena@parker.com

France, Belgium, French speaking part of Switzerland

Goska WARNECK
Tel + 33 (0)6 73 89 36 08
gwarneck@parker.com

Italy, Greece, Malta, Cyprus Italian speaking part of Switzerland

Andrea BRAGA
Tel +39 334 6944386
abraga@parker.com

Baltic Countries, East/Central Europe, Africa

Eliane EMERIT-BONNOT
Tel +33 (0)6 73 89 36 01
ebonnot@parker.com

Turkey

parker.turkey@parker.com

Ireland

Sean BRETT
Tel +353 (0) 1 868 9606
sbrett@parker.com

UK, Northern Europe

Kenny ADAMSON
Tel +44 (0)77853 71229
kadamson@parker.com

Customer Service:

Parker Hannifin Ltd

*Instrumentation Group
Refrigeration and
Air Conditioning Europe*
Manvers House

Office 21
Pioneer Close
Wath Upon Dearne
Rotherham S63 7JZ
United Kingdom
Tel +44 (0) 1709 774600
Fax +44 (0) 1709 774601
racecustomerservice@parker.com
www.parker.com/race

