

## SCE-020 digital display unit

### Device features

- Easily readable digital display:
  - Large
  - Bright
- Programmable
- Unit of measure can be selected
- Adjustable display range
- Input:
 

|         |              |
|---------|--------------|
| Current | 0/4 to 20 mA |
| Voltage | 0 to 10 V    |
- Switching output
- Loop-through function:
  - Analogue output
  - Serial interface
- Standard housing 96 x 48 mm



Diverse connections, a flexible display and many outputs are the features of the digital display SCE.

The SCE-020 converts standard analogue signals (in the range 0 to 10 V up to 0/4 to 20 mA) into clearly readable measurement values or units.

The **SCE-020** can be used to easily display every desired sensor. (pressure, temperature, torque, length, etc.)

### Functions

The display can be read from a long distance. The measurement range and the decimal point can be adjusted to fit user requirements so that different measurement values can be displayed.

The accompanying units are mounted on a separate illumination area.

The power supply varies from 11 to 30 VDC.

An adjustable limit value be monitored using the floating switching output.

### Loop-through function

The analogue output or the RS232 serial interface can forward the signal to the appropriate peripheral.

The SCE-020 display unit can be used when different measurement values need to be displayed in a simple and flexible manner.

# SCE-020 digital display unit

## Technical data

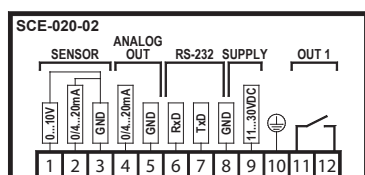
|                      | <b>SCE-020-2</b>                                       |
|----------------------|--|
| Input                | 0...20 mA, 4...20 mA or 0...10 V                       |
| Input resistance     | 0...20 mA = 150 Ω, 4...20 mA = 150 Ω, 0...10 V = 67 KΩ |
| Analogue output      | 0...20 mA, 4...20 mA                                   |
| Analogue output load | ≤ 500 Ω  |
| Interface            | RS-232C  |
| Limit value          | Floating CO contact<br>250 V/5 A max.                  |

| <b>Input</b>                |  |
|-----------------------------|--|
| Measurement error           | ± 0.2 % of the display<br>°± 1 digit   |
| Measurement rate            | 5 ms<br>Threshold query every 5 ms   |
| Measuring range             | Freely selectable (programmable)   |
| <b>Display</b>              |  |
| Display                     | 4-digit 7-segment LED  |
| Display range               | -999 to 9999   |
| Digit height                | 13 mm  |
| Decimal point               | Freely programmable  |
| Dimension display           | Selectable, by attaching a dimensioning label to the appropriate illumination area |
| <b>Ambient conditions</b>   |  |
| Operating temperature range | 0...+60 °C   |
| Storage temperature range   | -25...+80 °C   |
| Relative humidity           | < 80 %   |
| Protection degree           | IP44   |

| <b>Power supply</b> |   |
|---------------------|---|
| Auxiliary Power     | 11...30 VDC   |
| Current consumption | Approx. 100 mA  |
| <b>Housing</b>      |   |
| Material            | PC ABS black<br>Self-extinguishing according to UL94V0,<br>For table and console installation |
| Front dimensions    | 96 x 48 mm  |
| Installation depth  | 131 mm  |
| Connection          | 12 -pole terminal block with wire protection, max. 1.5 mm <sup>2</sup>                        |
| Mounting position   | As required   |
| Weight              | Approx. 200 g   |

Digital displays

## Pin assignment

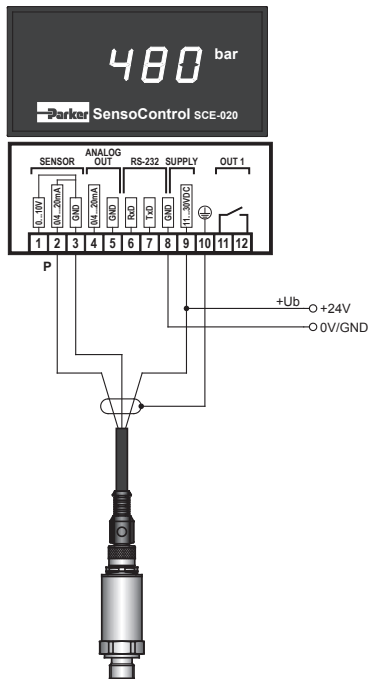


# SCE-020 digital display unit

## Connection examples (0/4 to 20 mA)

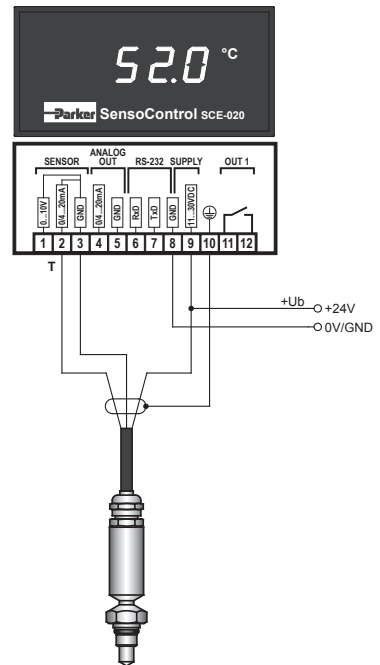
### SCE-020-02

Pressure sensor SCP



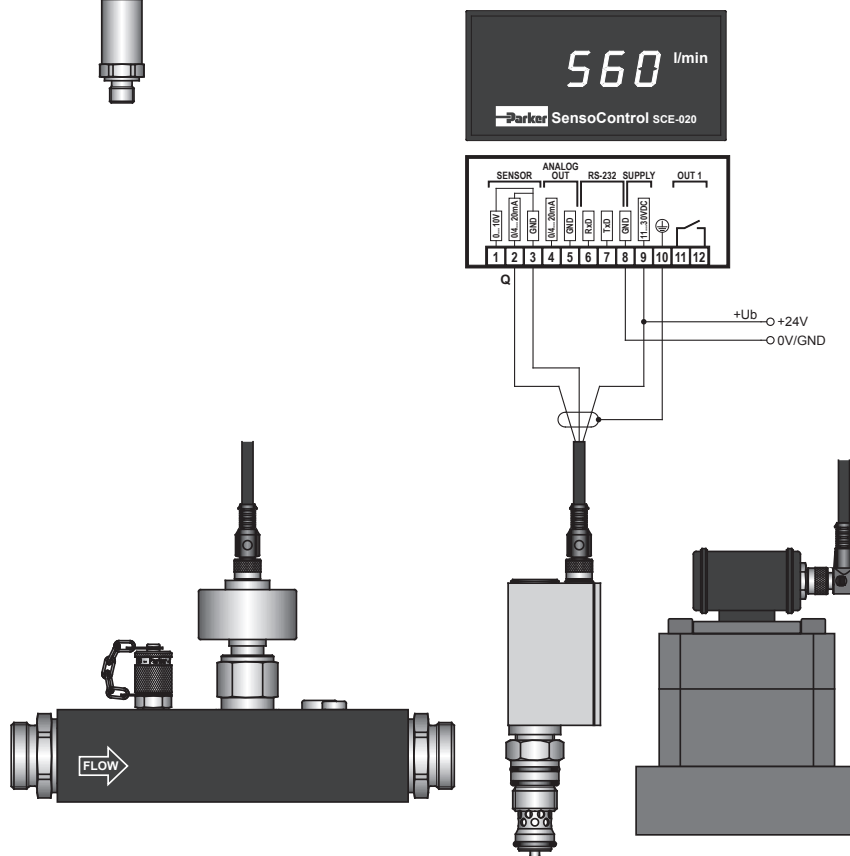
### SCE-020-02

Temperature sensor SCT



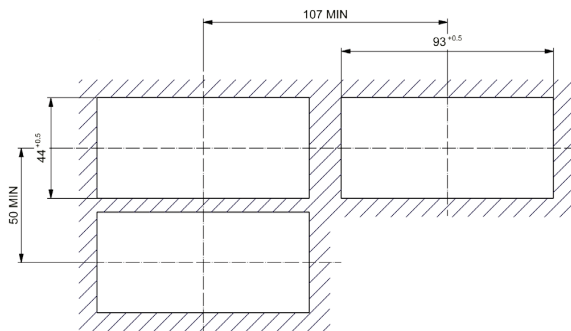
### SCE-020-02

Flow sensor



Digital displays

# SCE-020 digital display unit



## Order code

**SCE-020** Input 0/4 to 20 mA/0 to 10 V

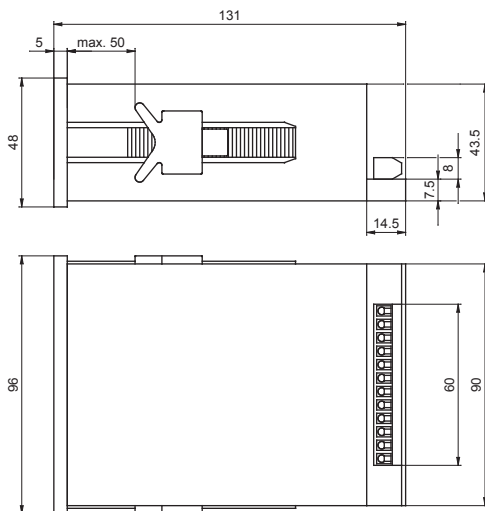
**SCE-020-02**

+ 1 switching output  
+ RS232C serial interface

### Accessories:

Data cable SCE – PC

**SCK-300-02-31**



Digital displays