

Order chart - Viking Xtreme air pilot & manual valves - Xtreme operating pressure / temperature

| |
|--------------|
| P 2 L |
|--------------|

| Valve family | |
|--------------|---------------------|
| P2L | Viking inline valve |

| |
|----------|
| A |
|----------|

| Size | |
|----------|-----|
| A | 1/8 |
| B | 1/4 |
| C | 3/8 |
| D | 1/2 |

| |
|----------|
| X |
|----------|

| Version | |
|----------|-------------------|
| X | Xtreme duty spool |

* Xtreme duty spool suitable for max operating pressure 16 bar. (P2LAX + P2LBX) 12 bar (P2LCX + P2LDX) Temperature range -40°C to +60°C

| Valve type function | | |
|-------------------------------|--|----------------------------------|
| Manual and pneumatic operated | | |
| 3 | | 3/2 valve |
| 5 | | 5/2 valve |
| 6 | | 5/3 valve closed centre position |
| 7 | | 5/3 valve pressurised centre |
| 8 | | 5/3 valve vented centre |

Shaded part numbers are standard

| |
|------------|
| 1 1 |
|------------|

| Port thread | |
|-------------|---------------|
| 11 | G1/8 |
| 12 | G1/4 |
| 13 | G3/8 |
| 14 | G1/2 |
| 91 | 1/8 NPT |
| 92 | 1/4 NPT |
| 93 | 3/8 NPT |
| 94 | 1/2 NPT |
| 1N * | Namur G1/4 |
| 9N * | Namur 1/4 NPT |

* Not available in 3/2 version

| |
|------------|
| P S |
|------------|

| Pilot main actuator/return | |
|----------------------------|--------------------------------------------------------|
| J *** | Rotary button - 2 positions |
| P | Air signal |
| S | Spring (return only) |
| V | Lever, 2 positions, 90° to ports |
| Z *** | Lever, 2 positions, in line with ports |
| 1 ** | Lever, 3 positions self centred, 90° to ports |
| 2 ** | Lever, held 3 positions, 90° to ports |
| 5 *** | Lever, 3 positions, self centered in line with port |
| 6 *** | Lever, 3 positions, held in position in line with port |
| 7 *** | Rotary button - 3 positions held in position |

** Not available in 3/2 version
*** Only Available with port threads G1/4 and 1/4 NPT

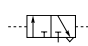
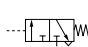
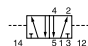
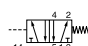
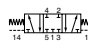


PDE2569TCUK

Directional control valves

Viking Xtreme

Pneumatic pilot operated valves - Xtreme operating pressure / temperature

Max operating pressure 16 bar (A & B) 12 bar (C & D). temp range -40°C to +60°C

| Symbol | Size | Actuation | Return | Min Operating Pressure (bar) | Changeover time (ms) at 6 bar @20°C actua./return | Weight Kg | Order code |
|-------------------------------------------------------------------------------------|------|---------------|------------|------------------------------|---------------------------------------------------------|-----------|-------------------|
| 3/2 valves, temperature -40°C to +60°C | | | | | | | |
|  | G1/8 | Air signal | Air signal | 1,5 | 5/5 | 0,30 | P2LAX311PP |
| | G1/4 | | | 1,5 | 5/5 | 0,30 | P2LBX312PP |
| | G3/8 | | | 1,5 | 8/8 | 0,45 | P2LCX313PP |
| | G1/2 | | | 1,5 | 9/9 | 0,45 | P2LDX314PP |
|  | G1/8 | Air signal | Spring | 3,2 | 8/15 | 0,30 | P2LAX311PS |
| | G1/4 | | | 3,5 | 10/20 | 0,30 | P2LBX312PS |
| | G3/8 | | | 3,5 | 10/30 | 0,45 | P2LCX313PS |
| | G1/2 | | | 3,5 | 10/30 | 0,45 | P2LDX314PS |
| 5/2 valves, temperature -40°C to +60°C | | | | | | | |
|  | G1/8 | Air signal | Air signal | 1,5 | 5/5 | 0,14 | P2LAX511PP |
| | G1/4 | | | 1,5 | 6/6 | 0,30 | P2LBX512PP |
| | G3/8 | | | 1,5 | 8/8 | 0,45 | P2LCX513PP |
| | G1/2 | | | 1,5 | 9/9 | 0,45 | P2LDX514PP |
|  | G1/8 | Air signal | Spring | 3,2 | 8/15 | 0,15 | P2LAX511PS |
| | G1/4 | | | 3,5 | 10/20 | 0,32 | P2LBX512PS |
| | G3/8 | | | 3,5 | 10/30 | 0,45 | P2LCX513PS |
| | G1/2 | | | 3,5 | 10/30 | 0,45 | P2LDX514PS |
| 5/3 valves, temperature -40°C to +60°C | | | | | | | |
|  | G1/8 | Air signal | Air signal | 3,5 | 10/20 | 0,15 | P2LAX611PP |
| | G1/4 | Closed centre | Self | 3,5 | 12/22 | 0,33 | P2LBX612PP |
| | G3/8 | position | centring | 3,5 | 15/35 | 0,50 | P2LCX613PP |
| | G1/2 | | | 3,5 | 15/35 | 0,50 | P2LDX614PP |
|  | G1/8 | Air signal | Air signal | 3,5 | 10/20 | 0,15 | P2LAX811PP |
| | G1/4 | Vented centre | Self | 3,5 | 12/22 | 0,33 | P2LBX812PP |
| | G3/8 | position | centring | 3,5 | 15/35 | 0,50 | P2LCX813PP |
| | G1/2 | | | 3,5 | 15/35 | 0,50 | P2LDX814PP |
|  | G1/8 | Air signal | Air signal | 3,5 | 10/20 | 0,15 | P2LAX711PP |
| | G1/4 | Pressurised | Self | 3,5 | 12/22 | 0,33 | P2LBX712PP |
| | G3/8 | centre | centring | 3,5 | 15/35 | 0,50 | P2LCX713PP |
| | G1/2 | position | | 3,5 | 15/35 | 0,50 | P2LDX714PP |

PDE2569TCUK

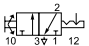
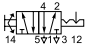

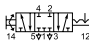

Directional control valves

Viking Xtreme



Pneumatic twist operated valves - Xtreme operating pressure / temperature

Max operating pressure 16 bar. Temp range -40°C to +60°C

| Symbol | Size | Actuation | Return | Changeover Angle | Weight Kg | Order code |
|-------------------------------------------------------------------------------------|------|-----------|--------|------------------|-----------|-------------------|
| 3/2 valves, temperature -40°C to +60°C | | | | | | |
|  | G1/4 | Twist | Twist | 45 | 0.34 | P2LBX312JJ |
| 5/2 valves, temperature -40°C to +60°C | | | | | | |
|  | G1/4 | Twist | Twist | 45 | 0.37 | P2LBX512JJ |
| 5/3 valves, temperature -40°C to +60°C | | | | | | |
|  | G1/4 | Twist | Twist | 54 | 0.41 | P2LBX71277 |
|  | G1/4 | Twist | Twist | 54 | 0.41 | P2LBX61277 |
|  | G1/4 | Twist | Twist | 54 | 0.41 | P2LBX81277 |

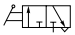


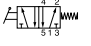
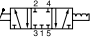
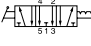

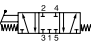
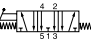

PDE2569TCUK

Directional control valves

Viking Xtreme

Lever operated directional control valves, lever 90° to ports

Max operating pressure 16 bar (A & B) 12 bar (C & D). temp range -40°C to +60°C

| Symbol | Size | Actuation | Return | Changeover angle | Changeover Force | Type | Weight Kg | Order code |
|-------------------------------------------------------------------------------------|------|----------------------------------------------------------|--------|------------------|------------------|------|-----------|--------------------|
| 3/2 valves, standard temperature / Low temperature, lever 90° to ports | | | | | | | | |
|  | G1/8 | Lever | Lever | 20° | 9 N | Std. | 0,33 | P2LAX311VV |
| | G1/4 | Lever | Lever | 20° | 9 N | Std. | 0,33 | P2L BX312VV |
| | G3/8 | Lever | Lever | 32° | 25 N | Std. | 0,40 | P2LCX313VV |
| | G1/2 | Lever | Lever | 32° | 25 N | Std. | 0,60 | P2LDX314VV |
|  | G1/8 | Lever | Spring | 20° | 10N | Std. | 0,33 | P2LAX311VS |
| | G1/4 | Lever | Spring | 20° | 10N | Std. | 0,33 | P2L BX312VS |
| | G3/8 | Lever | Spring | 32° | 15 N | Std. | 0,40 | P2LCX313VS |
| | G1/2 | Lever | Spring | 32° | 15 N | Std. | 0,60 | P2LDX314VS |
| 5/2 valves, standard temperature / Low temperature, lever 90° to ports | | | | | | | | |
|  | G1/8 | Lever | Lever | 28° | 9 N | Std. | 0,18 | P2LAX511VV |
| | G1/4 | Lever | Lever | 20° | 9 N | Std. | 0,33 | P2L BX512VV |
| | G3/8 | Lever | Lever | 32° | 25 N | Std. | 0,40 | P2LCX513VV |
| | G1/2 | Lever | Lever | 32° | 25 N | Std. | 0,60 | P2LDX514VV |
|  | G1/8 | Lever | Spring | 28° | 10N | Std. | 0,18 | P2LAX511VS |
| | G1/4 | Lever | Spring | 20° | 10N | Std. | 0,33 | P2L BX512VS |
| | G3/8 | Lever | Spring | 32° | 15 N | Std. | 0,40 | P2LCX513VS |
| | G1/2 | Lever | Spring | 32° | 15 N | Std. | 0,60 | P2LDX514VS |
| 5/3 valves, low temperature, lever 90° to ports | | | | | | | | |
|  | G1/8 | Lever | Lever | ±14° | 15 N | Std. | 0,18 | P2LAX61122 |
| | G1/4 | Closed centre position held in three positions | | ±12° | 15 N | Std. | 0,33 | P2L BX61222 |
| | G3/8 | | | ±16° | 17 N | Std. | 0,71 | P2LCX61322 |
| | G1/2 | | | ±16° | 17 N | Std. | 0,73 | P2LDX61422 |
|  | G1/8 | Lever | Lever | ±14° | 15 N | Std. | 0,18 | P2LAX81122 |
| | G1/4 | Exhausted centre position held in three positions | | ±12° | 15 N | Std. | 0,33 | P2L BX81222 |
| | G3/8 | | | ±16° | 17 N | Std. | 0,71 | P2LCX81322 |
| | G1/2 | | | ±16° | 17 N | Std. | 0,73 | P2LDX81422 |
|  | G1/8 | Lever | Lever | ±14° | 15 N | Std. | 0,18 | P2LAX71122 |
| | G1/4 | Pressure applied centre position held in three positions | | ±12° | 15 N | Std. | 0,33 | P2L BX71222 |
| | G3/8 | | | ±16° | 17 N | Std. | 0,71 | P2LCX71322 |
| | G1/2 | | | ±16° | 17 N | Std. | 0,73 | P2LDX71422 |
|  | G1/8 | Lever | Lever | ±14° | 16 N | Std. | 0,18 | P2LAX61111 |
| | G1/4 | Closed centre position Self centring | | ±12° | 16 N | Std. | 0,33 | P2L BX61211 |
| | G3/8 | | | ±16° | 30 N | Std. | 0,71 | P2LCX61311 |
| | G1/2 | | | ±16° | 30 N | Std. | 0,73 | P2LDX61411 |
|  | G1/8 | Lever | Lever | ±14° | 16 N | Std. | 0,18 | P2LAX81111 |
| | G1/4 | Exhausted centre position Self centring | | ±12° | 16 N | Std. | 0,33 | P2L BX81211 |
| | G3/8 | | | ±16° | 30 N | Std. | 0,71 | P2LCX81311 |
| | G1/2 | | | ±16° | 30 N | Std. | 0,73 | P2LDX81411 |
|  | G1/8 | Lever | Lever | ±14° | 16 N | Std. | 0,18 | P2LAX71111 |
| | G1/4 | Pressure applied centre position Self centring | | ±12° | 16 N | Std. | 0,33 | P2L BX71211 |
| | G3/8 | | | ±16° | 30 N | Std. | 0,71 | P2LCX71311 |
| | G1/2 | | | ±16° | 30 N | Std. | 0,73 | P2LDX71411 |

PDE2569TCUK

Directional control valves

Viking Xtreme



Lever operated directional control valves, lever in line with ports

Max operating pressure 16 bar. Temp range -40°C to +60°C

| Symbol | Size | Actuation | Return | Changeover angle | Changeover Force | Type | Weight Kg | Order code |
|-------------------------------------------------------------------------|------------------------------------------------------------------|-----------|--------|------------------|------------------|------|-----------|-------------------|
| 3/2 valves, temperature -40°C to +60°C, Lever In Line with ports | | | | | | | | |
| | G1/4 | Lever | Lever | 26° | 18 N | Std. | 0,42 | P2LBX312ZZ |
| | G1/4 | Lever | Spring | 26° | 18 N | Std. | 0,42 | P2LBX312ZS |
| 5/2 valves, temperature -40°C to +60°C, Lever In Line with ports | | | | | | | | |
| | G1/4 | Lever | Lever | 26° | 18 N | Std. | 0,45 | P2LBX512ZZ |
| | G1/4 | Lever | Spring | 26° | 18 N | Std. | 0,45 | P2LBX512ZS |
| 5/3 valves, temperature -40°C to +60°C, Lever In Line with ports | | | | | | | | |
| | Closed centre position self centering G1/4 | Lever | Lever | 15° / 15° | 24 N | Std. | 0,51 | P2LBX61255 |
| | Pressure applied centre position self centering G1/4 | Lever | Lever | 15° / 15° | 24 N | Std. | 0,51 | P2LBX71255 |
| | Exhausted centre position self centering G1/4 | Lever | Lever | 15° / 15° | 24 N | Std. | 0,51 | P2LBX81255 |
| | Closed centre position held in three positions G1/4 | Lever | Lever | 15° / 15° | 18 N | Std. | 0,48 | P2LBX61266 |
| | Pressure applied centre position held in three positions G1/4 | Lever | Lever | 15° / 15° | 18 N | Std. | 0,48 | P2LBX71266 |
| | Exhausted centre position held in three positions G1/4 | Lever | Lever | 15° / 15° | 18 N | Std. | 0,48 | P2LBX81266 |

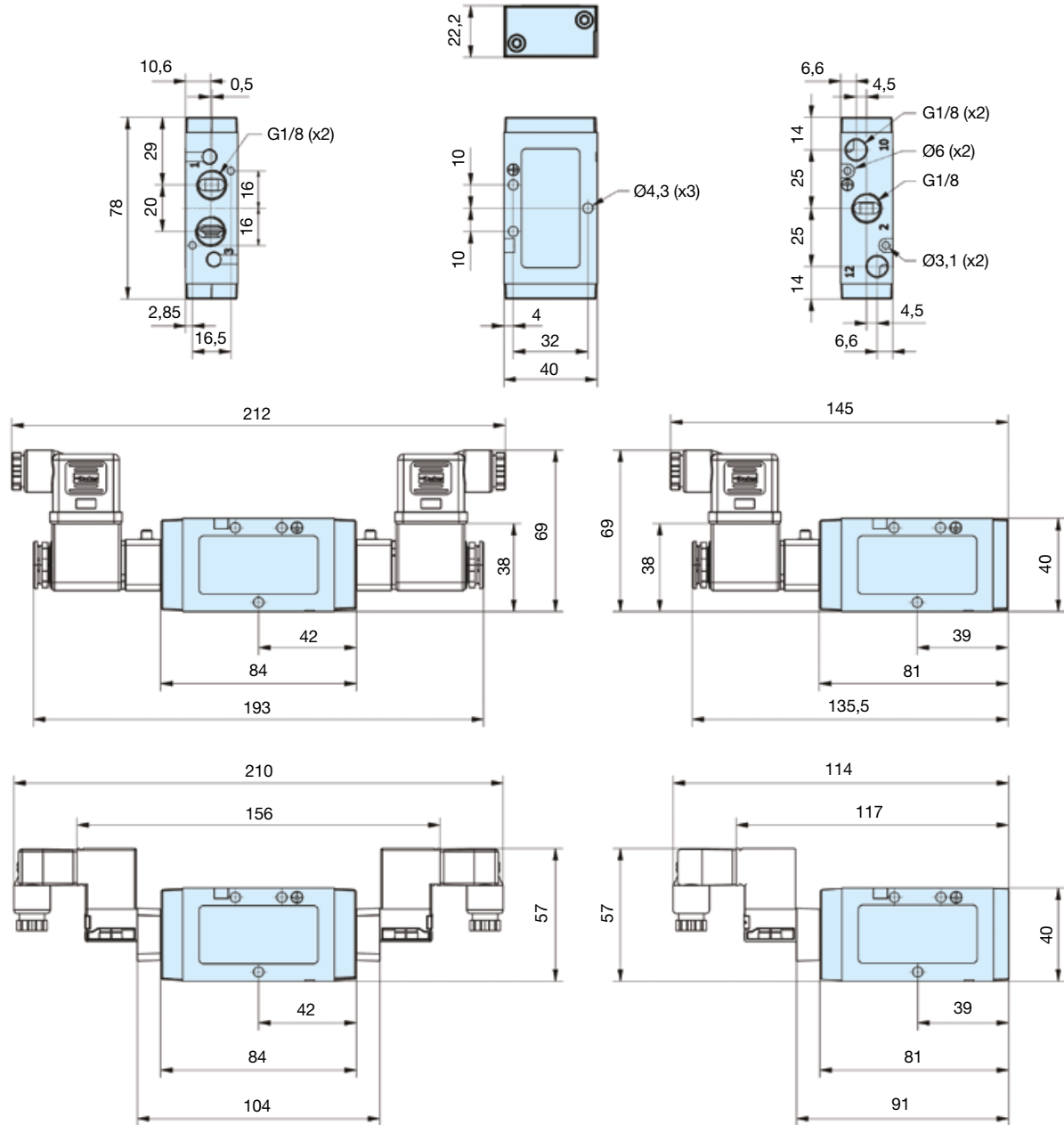
PDE2569TCUK

Directional control valves

Viking Xtreme

Dimensions

**P2LAX... all
3/2 valves**



Solenoid valves
 Cable plugs must be ordered separately.
 One pilot valve is required for each E in the valve order code.



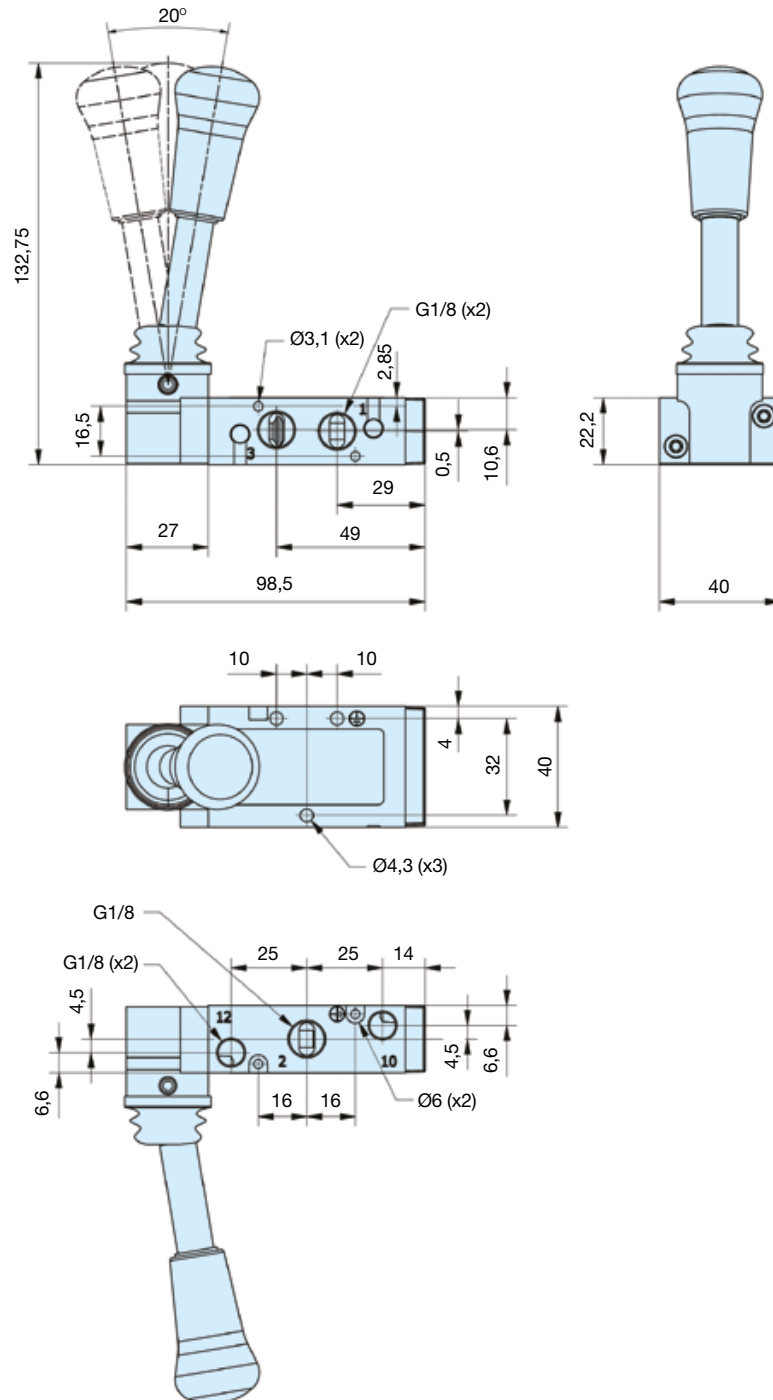
PDE2569TCUK

Directional control valves

Viking Xtreme

Dimensions

P2LAX - 3/2 Lever operated directional control valves



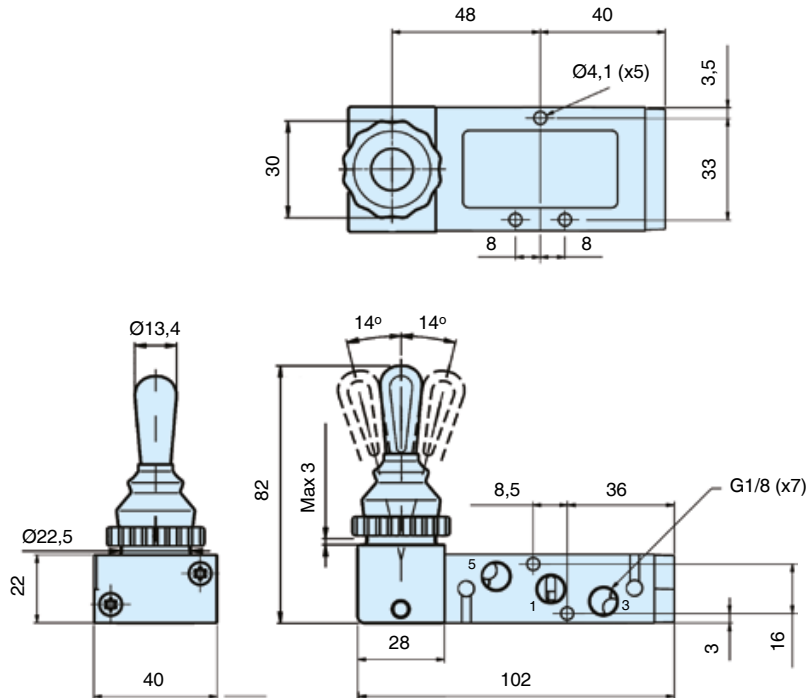
PDE2569TCUK

Directional control valves

Viking Xtreme

Dimensions

P2LAX - 5/2 & 5/3 Lever operated directional control valves



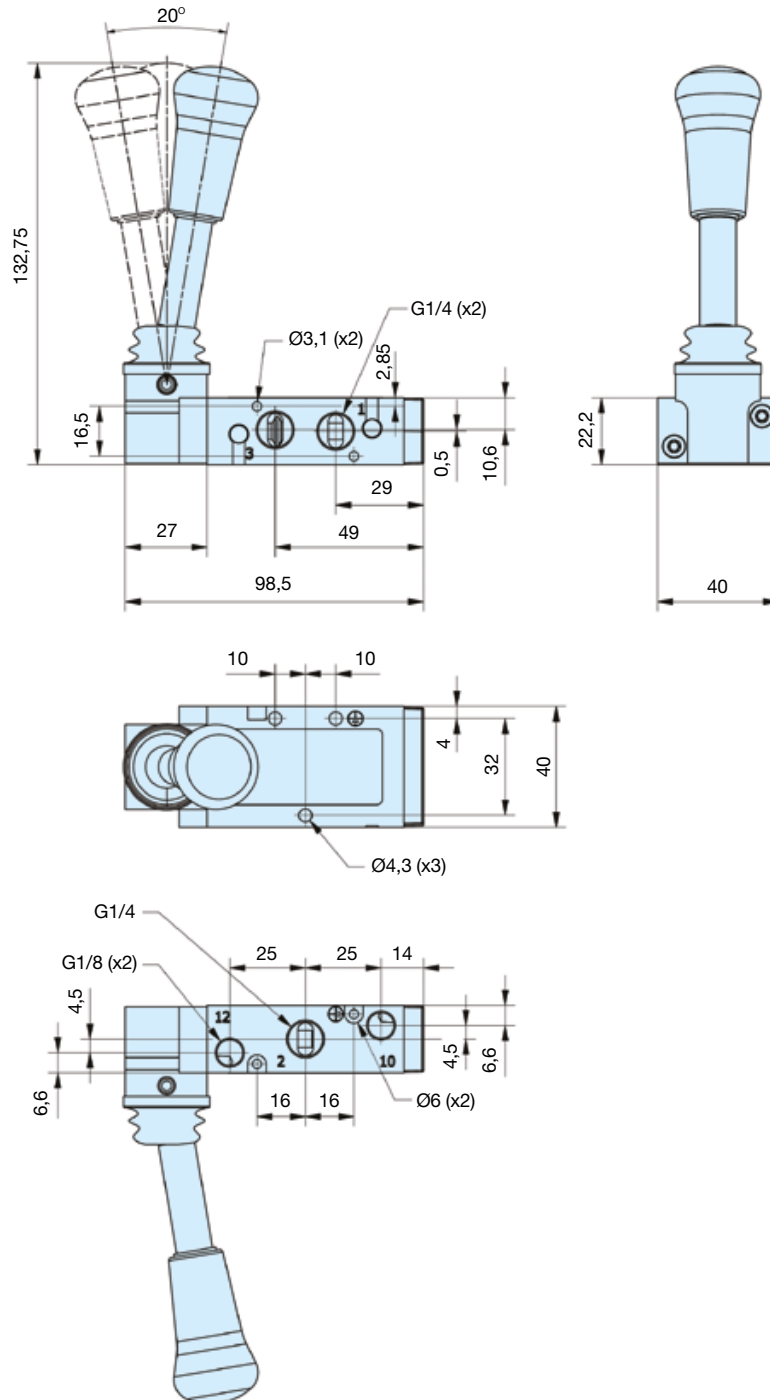
PDE2569TCUK

Directional control valves

Viking Xtreme

Dimensions

P2L BX - 3/2 Lever operated directional control valves



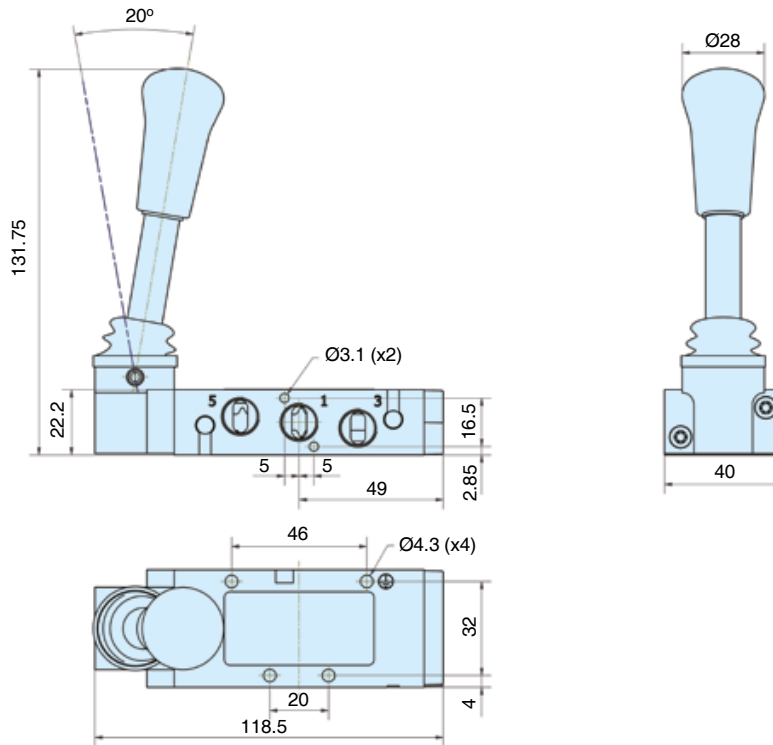
PDE2569TCUK

Directional control valves

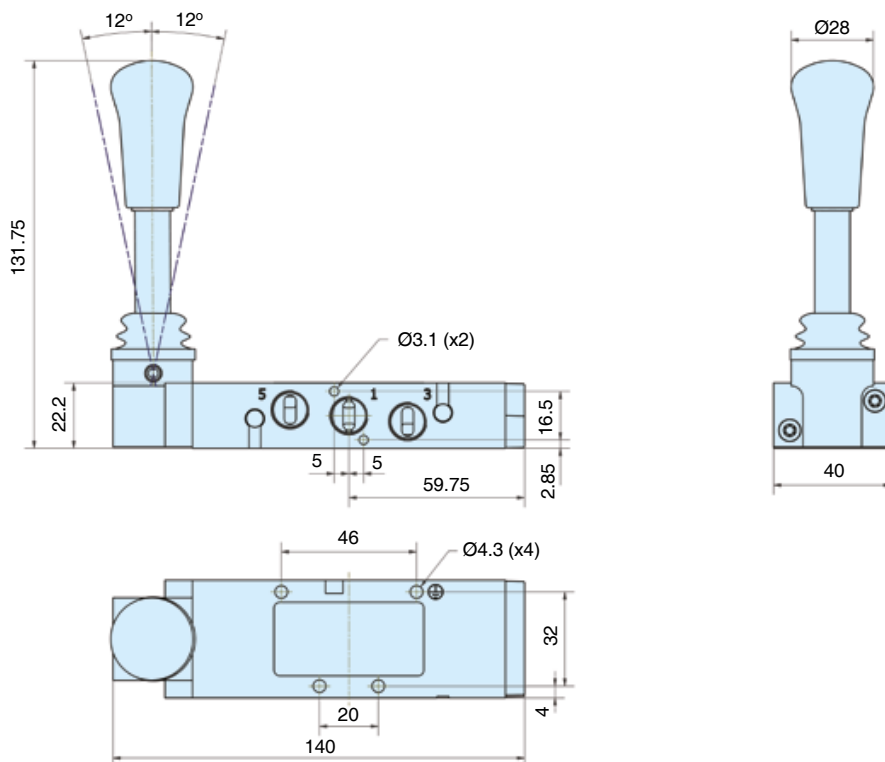
Viking Xtreme

Dimensions

P2LBX - 5/2 Lever operated directional control valves



P2LBX - 5/3 Lever operated directional control valves



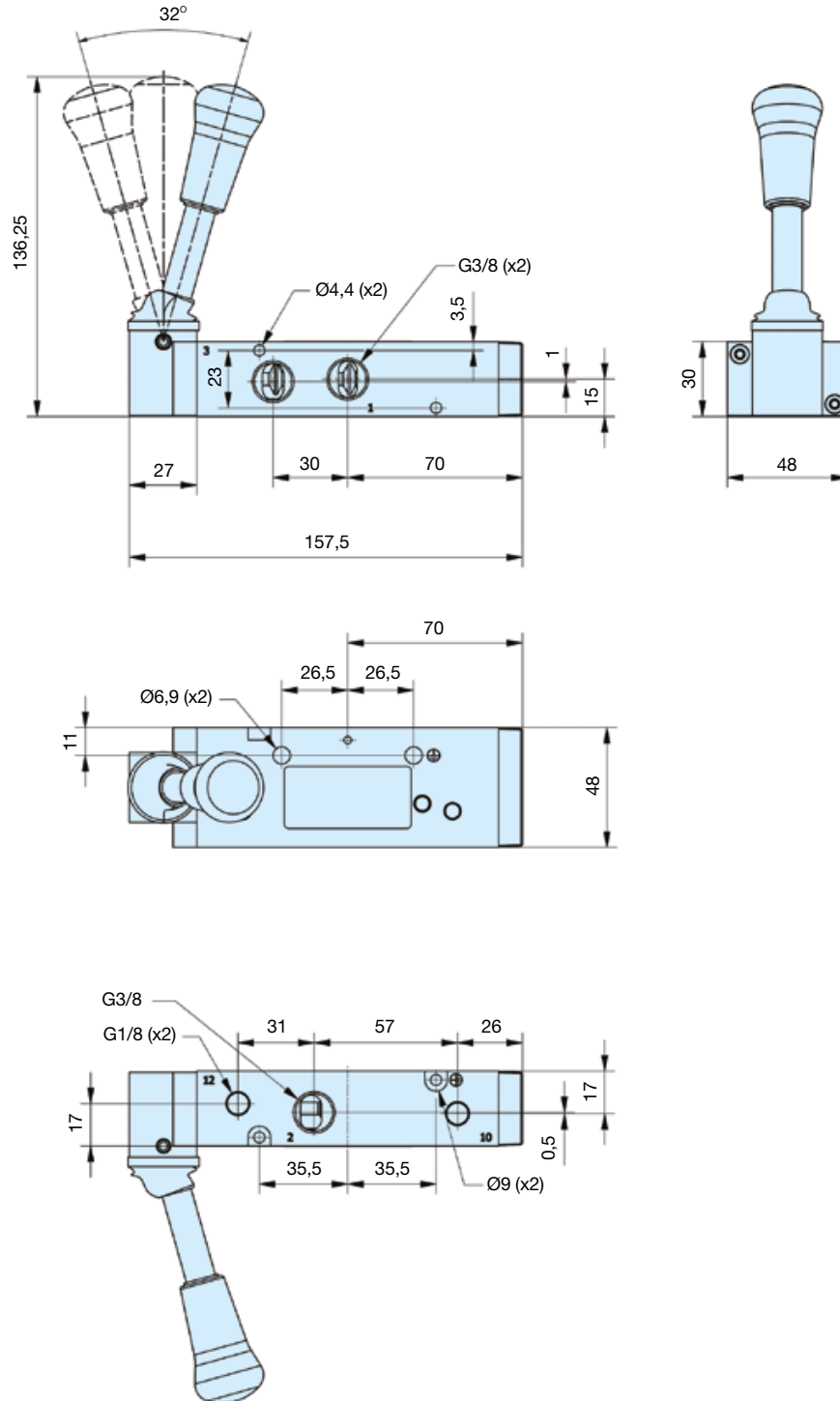
PDE2569TCUK

Directional control valves

Viking Xtreme

Dimensions

P2LCX - 3/2 Lever operated directional control valves



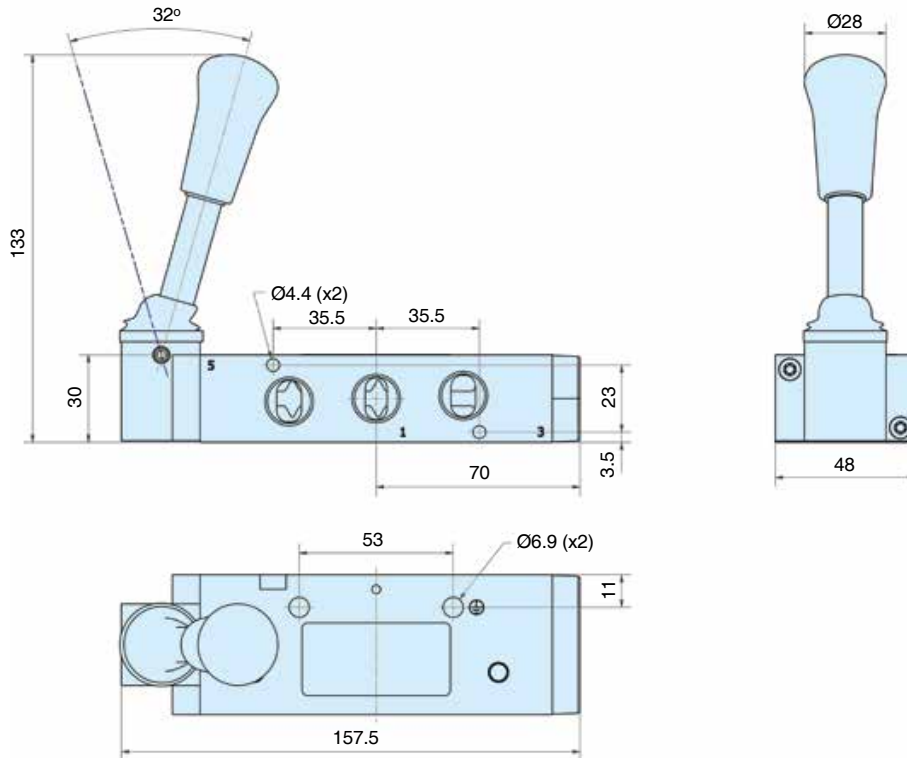
PDE2569TCUK

Directional control valves

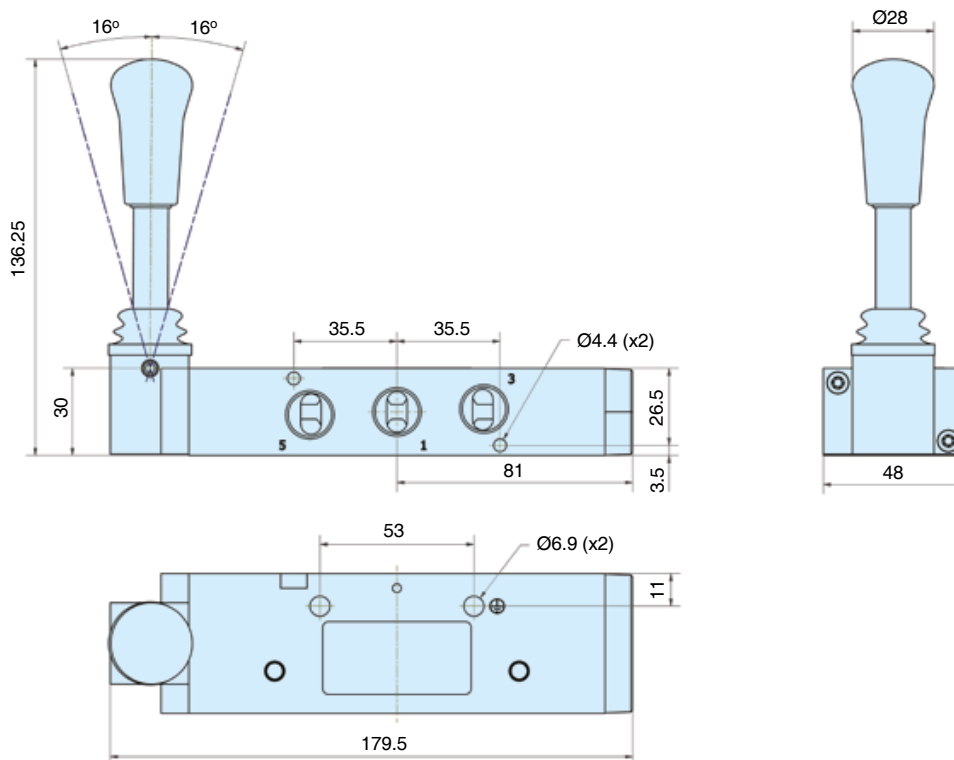
Viking Xtreme

Dimensions

P2LCX - 5/2 Lever operated directional control valves



P2LCX - 5/3 Lever operated directional control valves



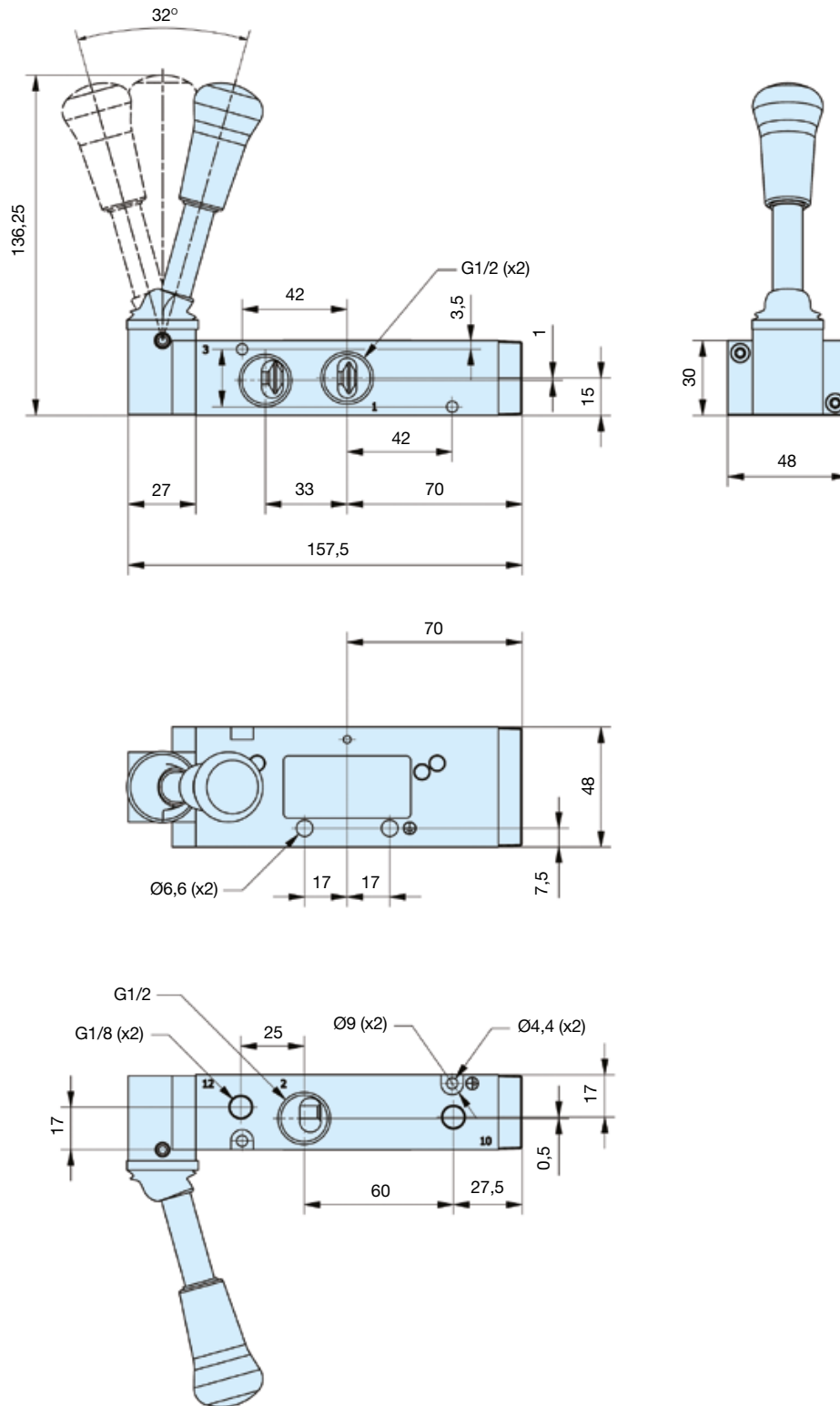
PDE2569TCUK

Directional control valves

Viking Xtreme

Dimensions

P2LDX - 3/2 Lever operated directional control valves



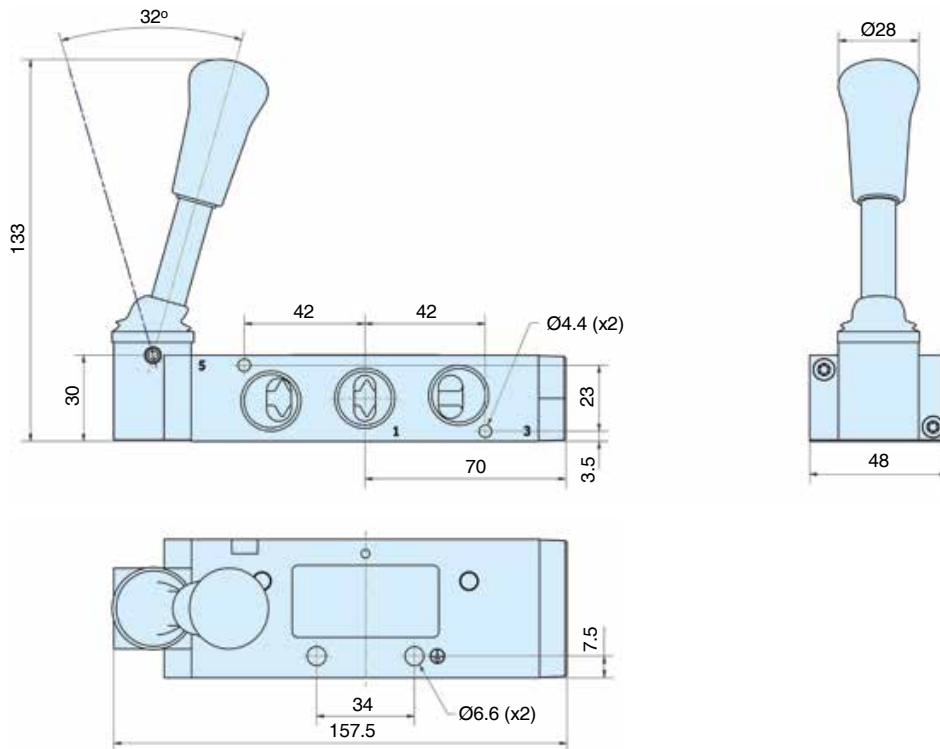
PDE2569TCUK

Directional control valves

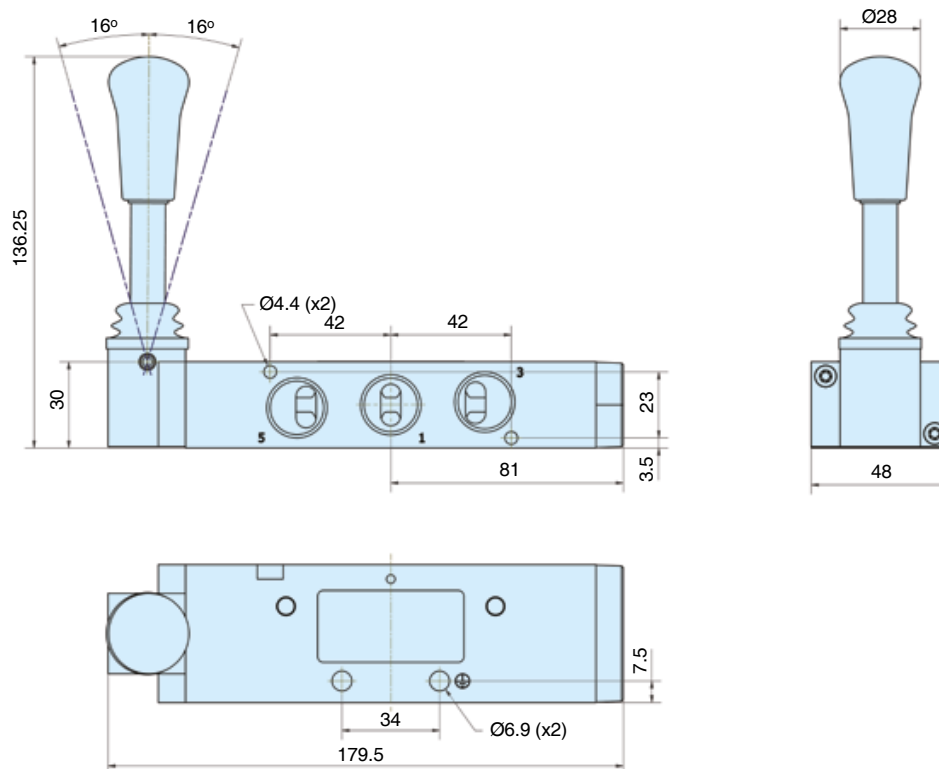
Viking Xtreme

Dimensions

P2LDX - 5/2 Lever operated directional control valves



P2LDX - 5/3 Lever operated directional control valves



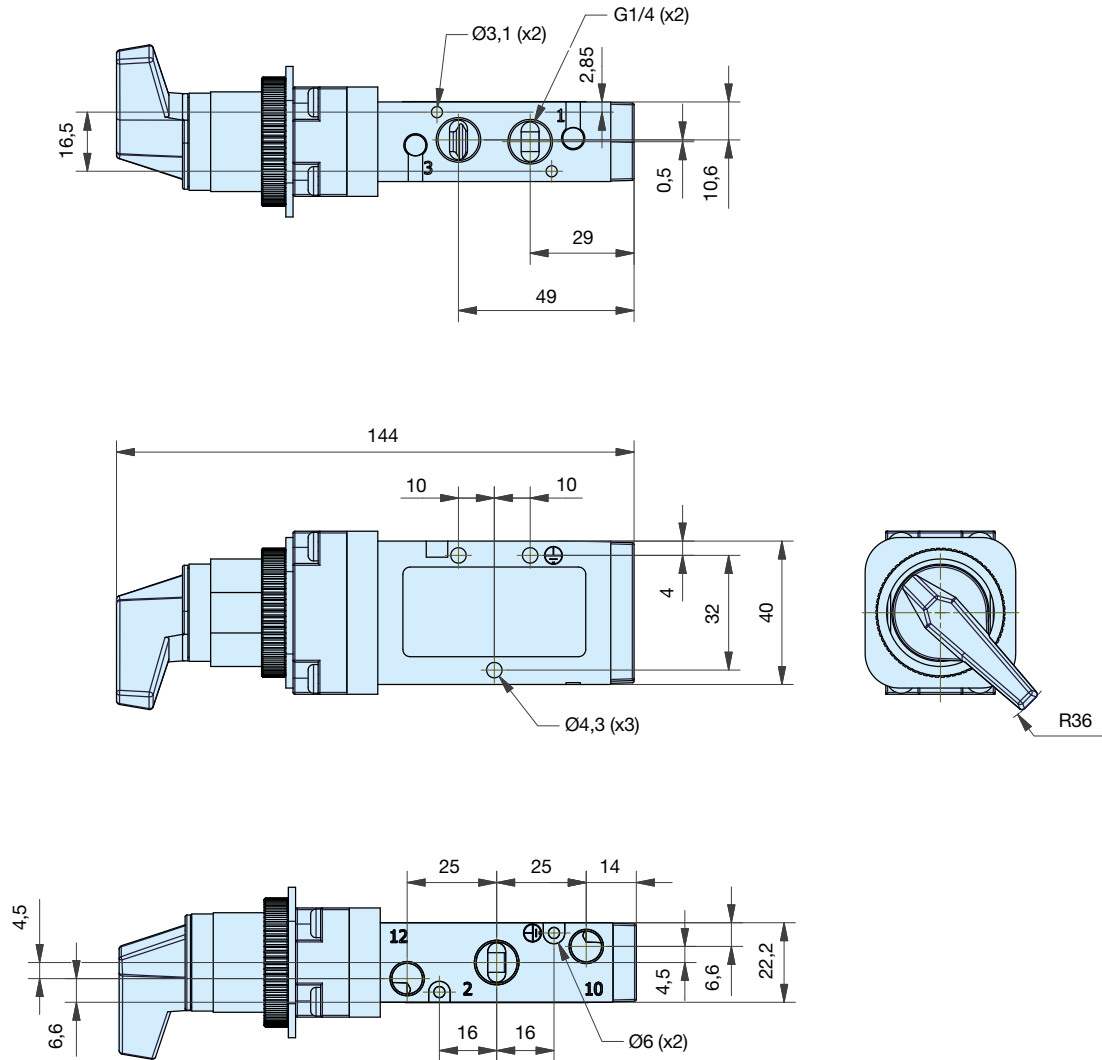
PDE2569TCUK

Directional control valves

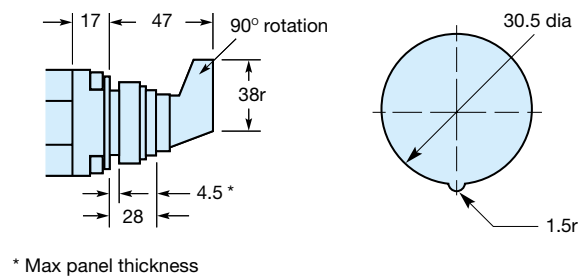
Viking Xtreme

Dimensions

P2LBX - 3/2 Twist operated directional control valves



Panel cut-out details



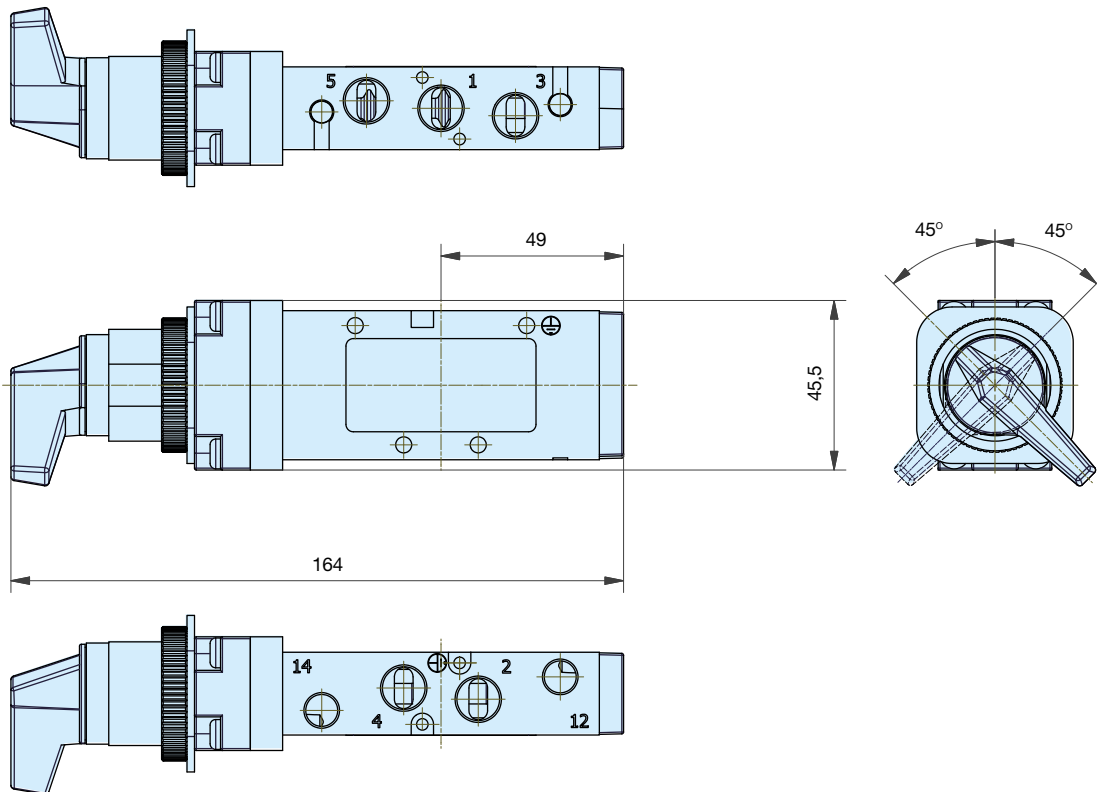
PDE2569TCUK

Directional control valves

Viking Xtreme

Dimensions

P2L BX - 5/2 Twist operated directional control valves



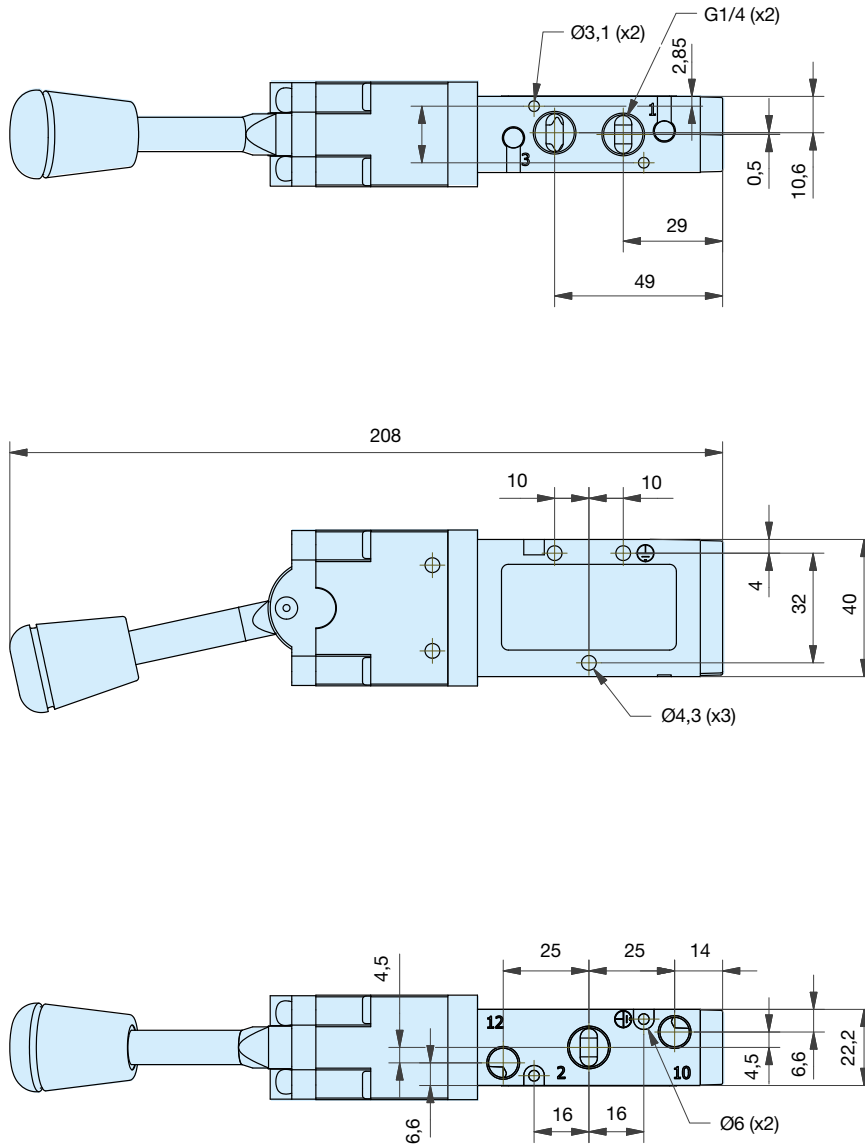
PDE2569TCUK

Directional control valves

Viking Xtreme

Dimensions

P2LBX - 3/2 Lever



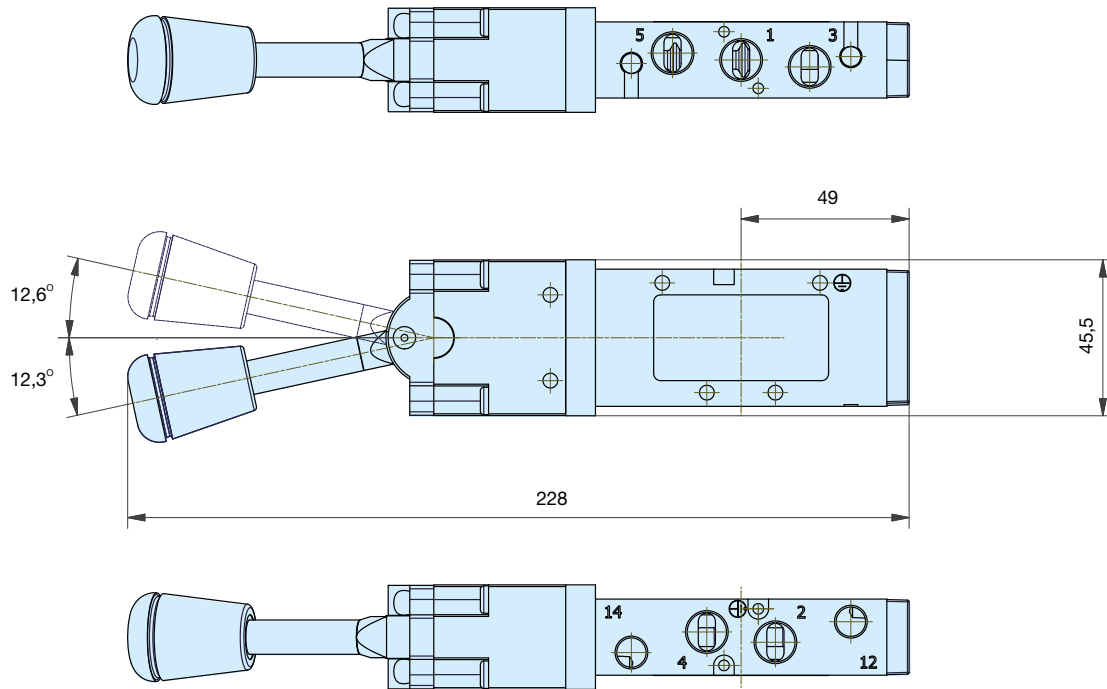
PDE2569TCUK

Directional control valves

Viking Xtreme

Dimensions

P2LBX - 5/2 Lever



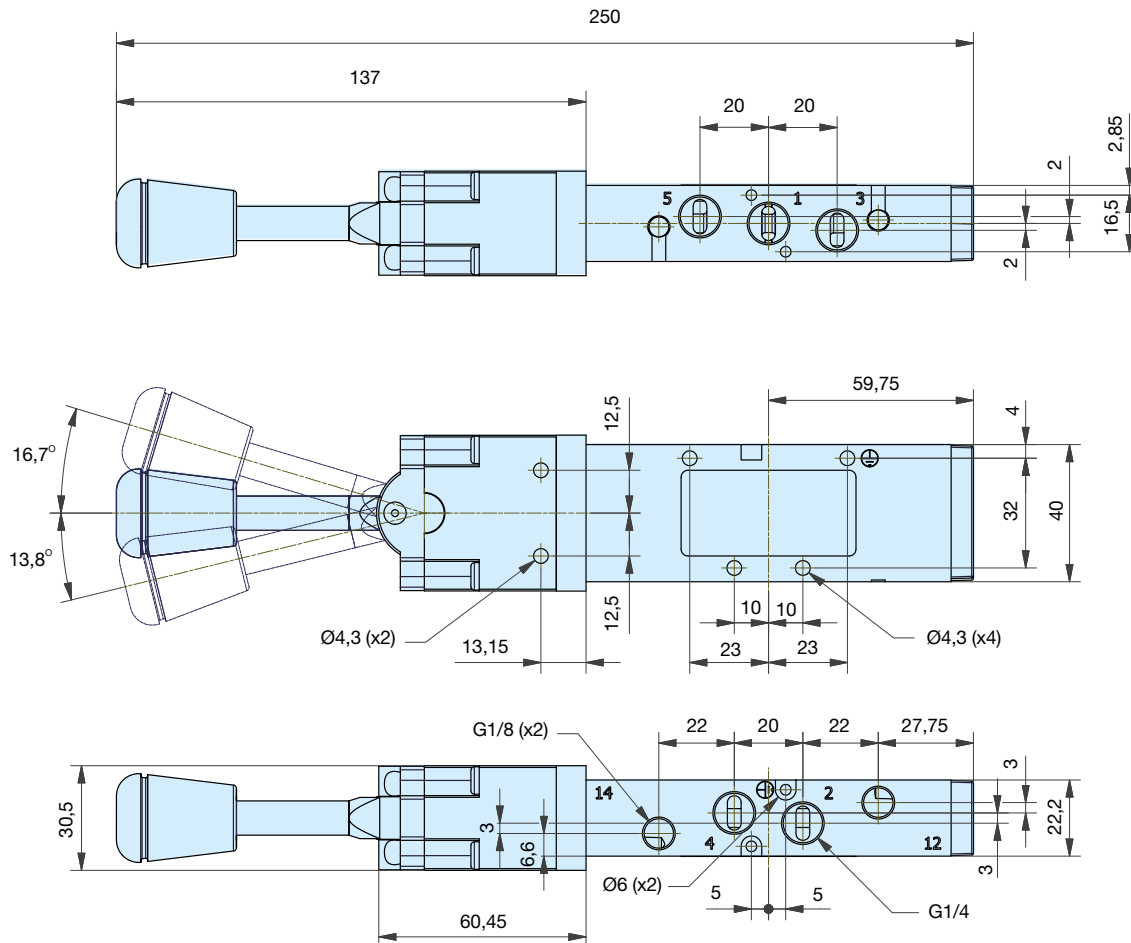
PDE2569TCUK

Directional control valves

Viking Xtreme

Dimensions

P2LBX - 5/3 Lever



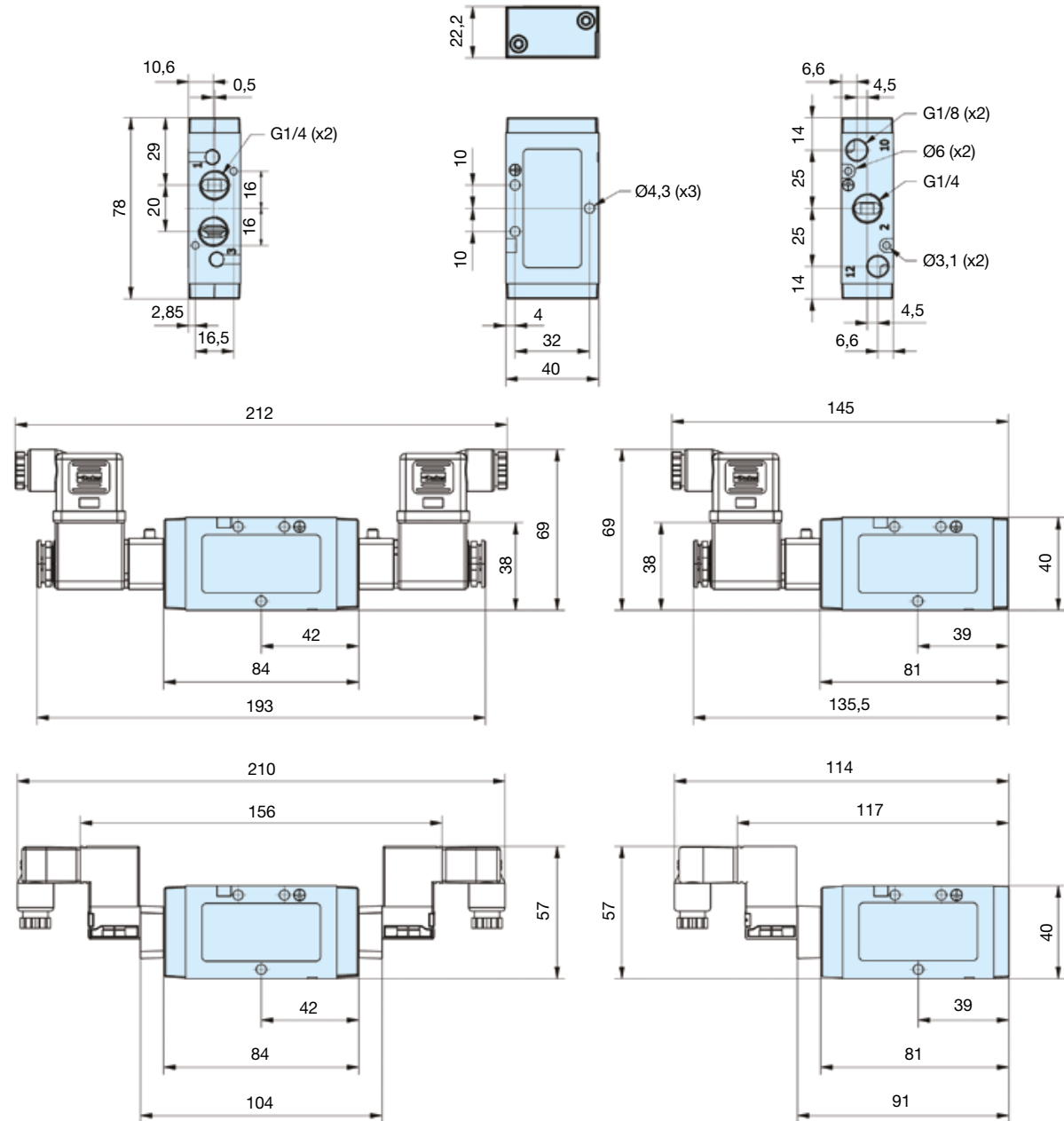
PDE2569TCUK

Directional control valves

Viking Xtreme

Dimensions

**P2LBX... all
3/2 valves**



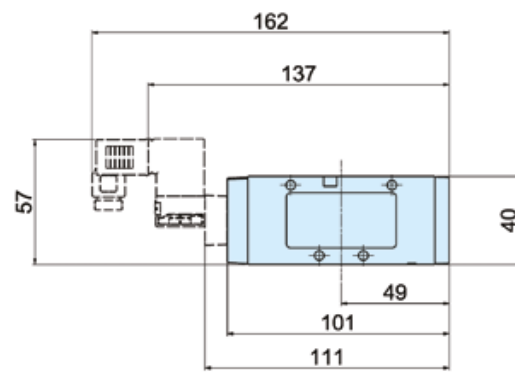
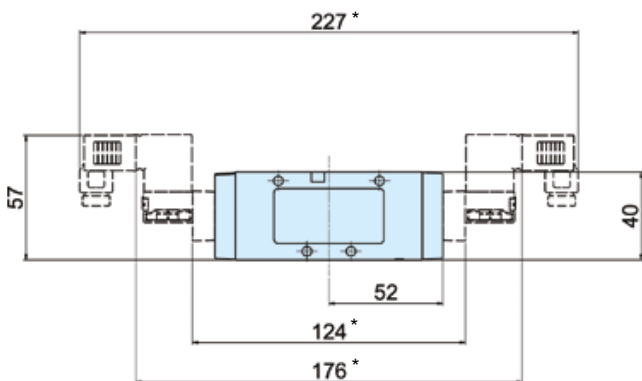
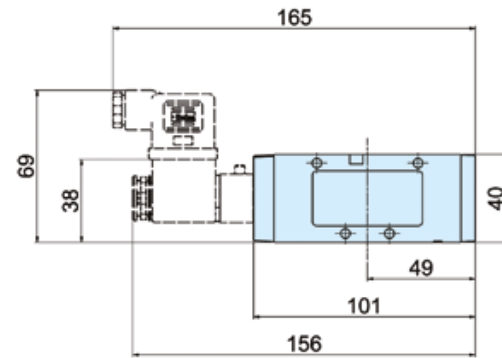
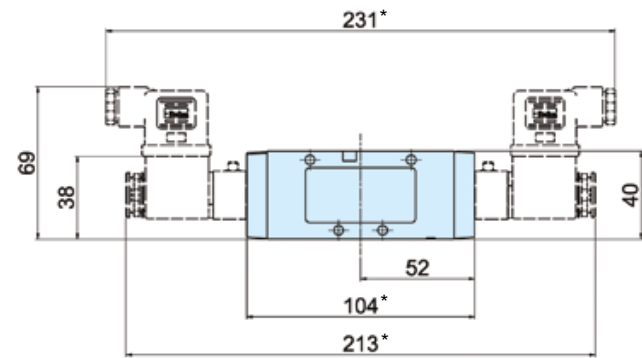
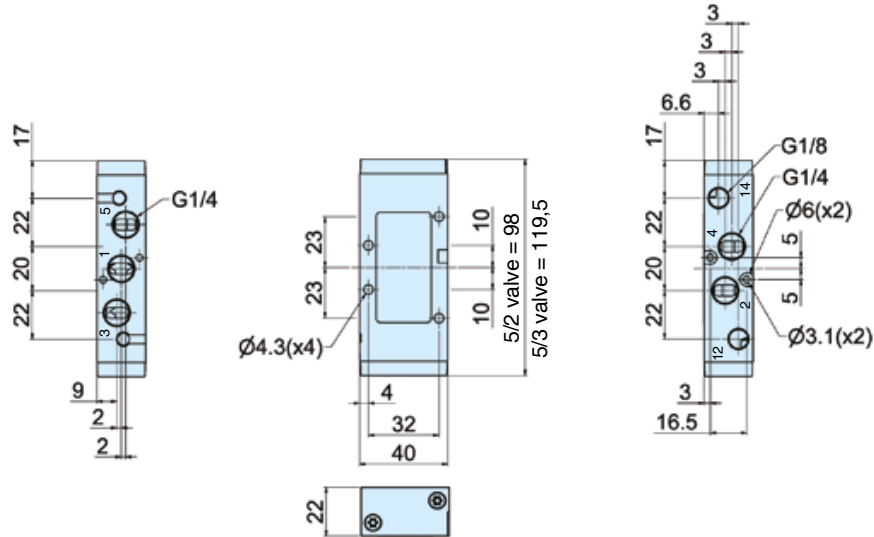
PDE2569TCUK

Directional control valves

Viking Xtreme

Dimensions

P2LBX... all
5/2 and 5/3 valves



* Note: 5/3 valves - add 21.5mm



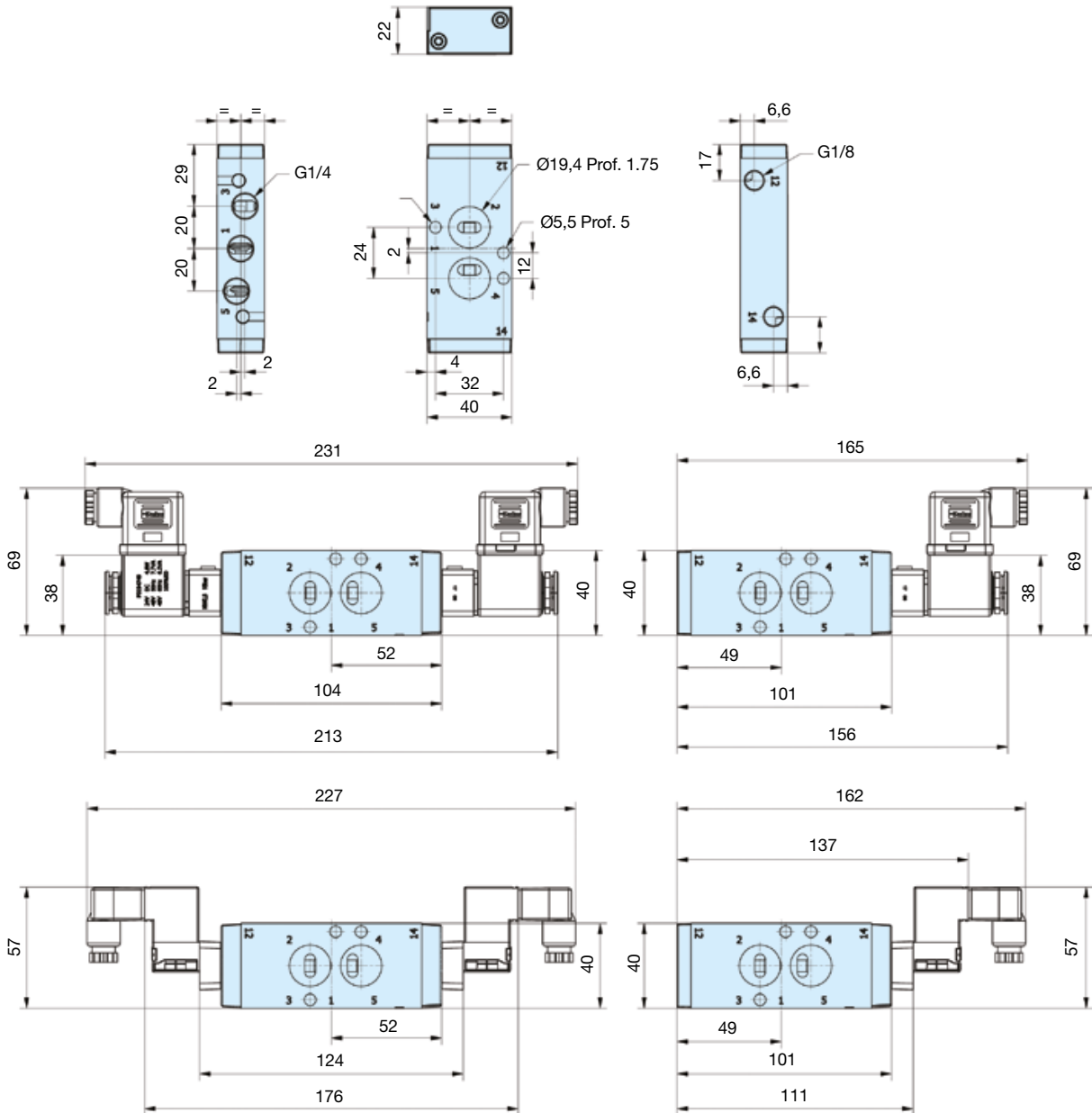
PDE2569TCUK

Directional control valves

Viking Xtreme

Dimensions

NAMUR
5/2 valves



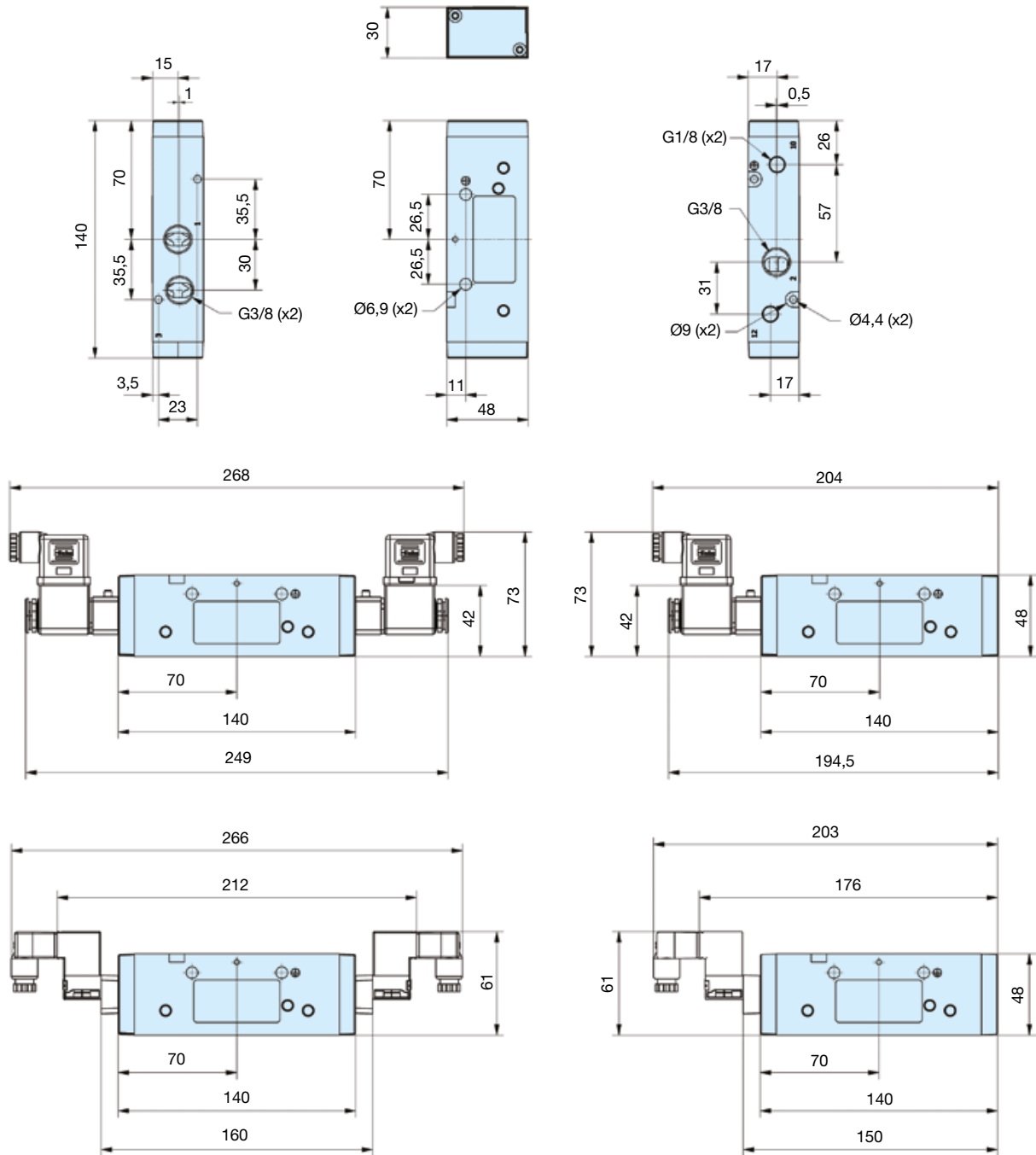
PDE2569TCUK

Directional control valves

Viking Xtreme

Dimensions

**P2LCX... all
3/2 valves**



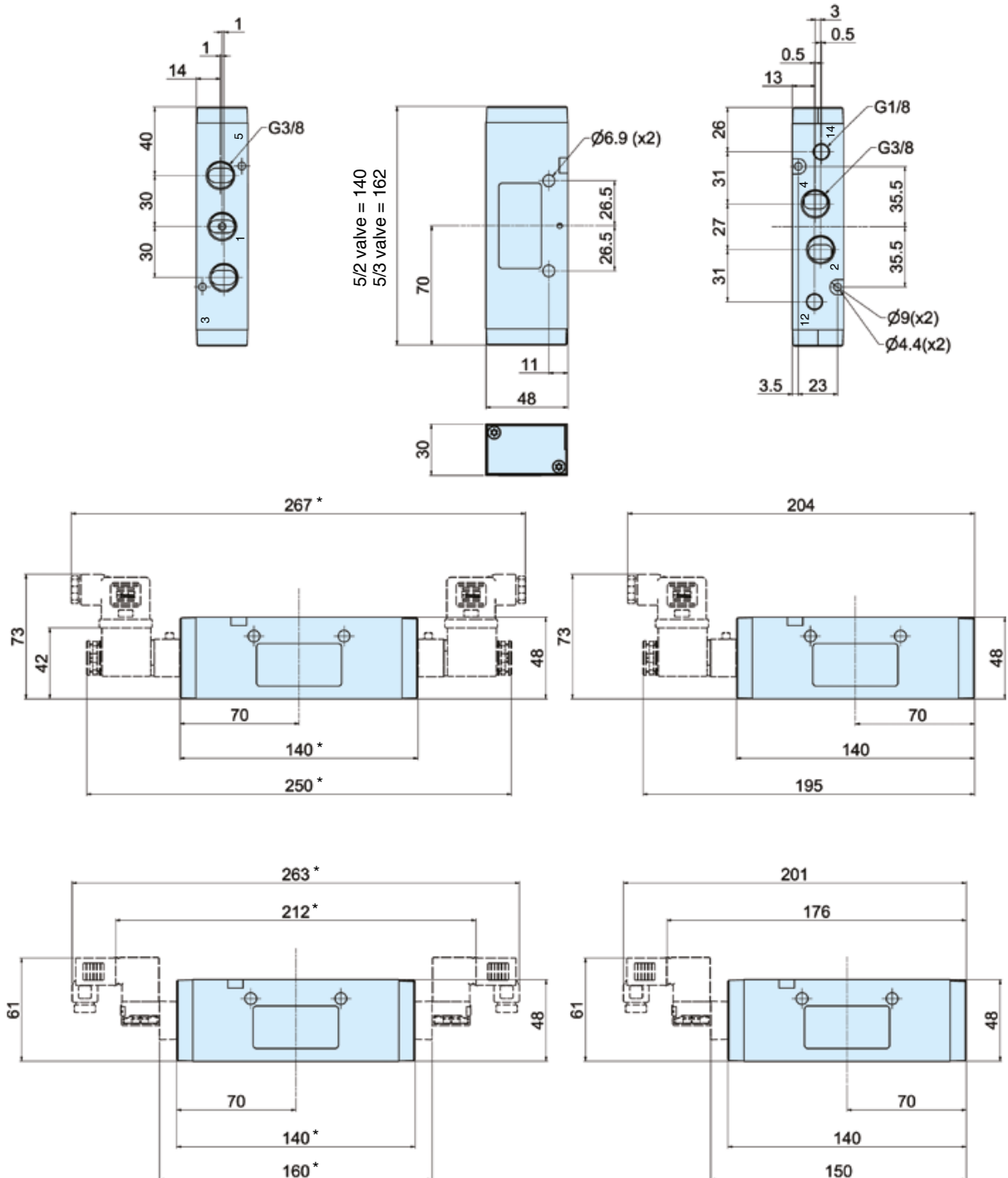
PDE2569TCUK

Directional control valves

Viking Xtreme

Dimensions

P2LCX... all
5/2 and 5/3 valves



* Note: 5/3 valves - add 22.0mm



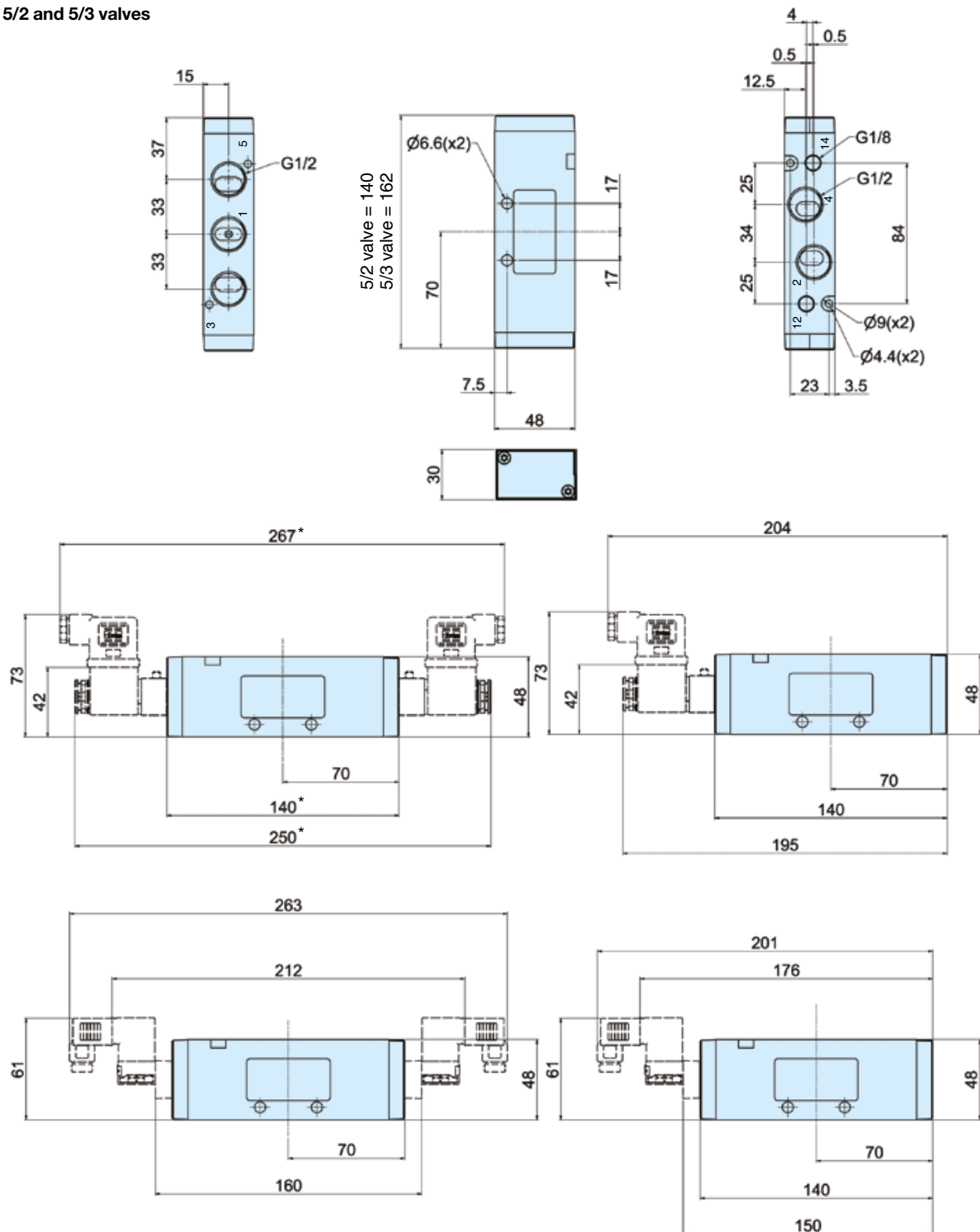
PDE2569TCUK

Directional control valves

Viking Xtreme

Dimensions

P2LDX... all
5/2 and 5/3 valves



* Note: 5/3 valves - add 22.0mm



