

 **Snap-tite**

Quick Disconnect Couplings and Hydraulic Valves



www.snap-tite.com



INDUSTRIAL DRY BREAK COUPLINGS 23 SERIES

Featuring...

Snap-tite quality with superior pressure and flow characteristics over the competition



- **Rugged construction**
- **High strength steel with Zinc Trivalent Chromate plating for corrosion resistance**
- **Push-to-connect ball-locking mechanism for positive connection**
- **Sizes 3/8" & 1/2"**
- **Safety sleeve lock as standard**
- **Connects against static pressures to 200 psi (14 bar)**

Conforms with ROHS and WEEE European Union Directives

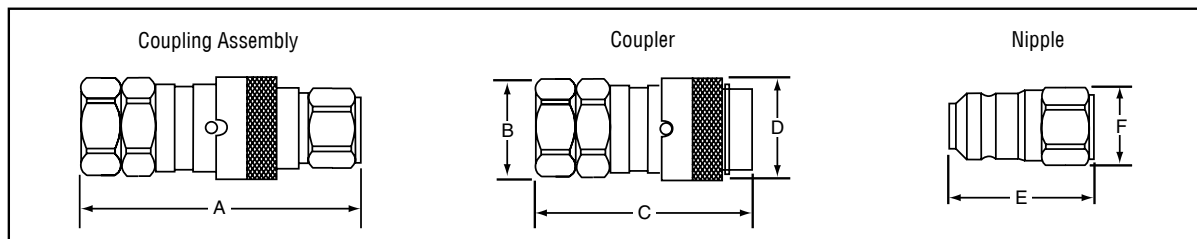
Snap-tite's 23 Series is designed for demanding hydraulic applications. Typical applications include mobile equipment, hydraulic hand tools and in-plant hydraulics including test stands where a dry break is required for cleanliness. As protection against accidental disconnection, the 23 Series is equipped with a standard sleeve lock. The flush nipple valve aids in the prevention of system contamination by reducing the build up of dirt and grit.



PRESSURE RATINGS

SIZE	SPILLAGE (cc)	AIR INCLUSION (cc)	MAXIMUM WORKING PRESSURE		MINIMUM BURST PRESSURE	
			PSI	BAR	PSI	BAR
3/8"	.03	.25	3,000	210	6,000	415
1/2"	.04	.30	3,000	210	6,000	415

TECHNICAL AND DIMENSIONAL INFORMATION



SIZE	A		B		C		D		E		F	
	IN	MM	IN	MM	IN	MM	IN	MM	IN	MM	IN	MM
3/8"	3.34	84.34	1.00	25.40	2.65	67.31	1.20	30.48	1.65	41.91	.94	23.88
1/2"	4.53	114.06	1.25	31.75	3.36	85.34	1.50	38.10	2.38	6.45	1.06	26.92

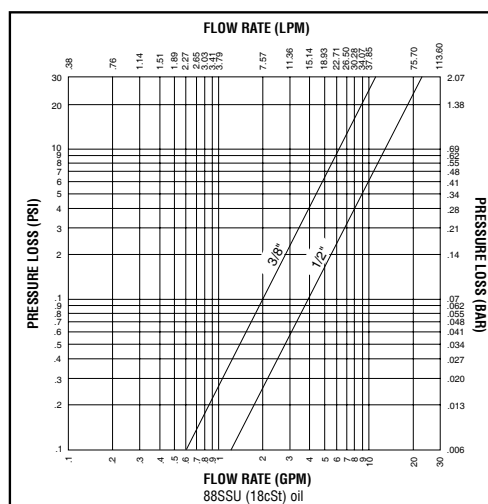
Notes: Hex dimensions from flat of hex.
Part configurations are typical only.
Ratings, specifications and dimensions are subject to change without notice.

HOW TO ORDER

PART NO.	23	-1C	6-	6	F
----------	----	-----	----	---	---

Series	Coupling Half	Coupling Size	End Fitting Size	End Fitting Type	Seals
23	-1C Coupler N Nipple	6 = 3/8" 8 = 1/2"	6 = 3/8" 8 = 1/2"	F Female NPSF RP Female British Parallel BS2779	No letter- Buna N V = Viton

FLOW CHART



! WARNING !

FAILURE OR IMPROPER SELECTION OR IMPROPER USE OF THE PRODUCTS AND/OR SYSTEMS DESCRIBED HEREIN OR RELATED ITEMS CAN CAUSE DEATH, PERSONAL INJURY AND/OR PROPERTY DAMAGE.

This document and other information from Snap-tite, Inc., its subsidiaries and authorized distributors, provides product and/or system options for further investigation by users having technical expertise. It is important that you analyze all aspects of your application and review the information concerning the product or system in the current product catalog. Due to the variety of operation conditions and applications for these products or systems, the user, through its own analysis and testing, is solely responsible for making the final selection of the products and systems and assuring that all performance, safety and warning requirements of the application are met.

The products described herein, including without limitation, product features, specifications, designs, availability and pricing, are subject to change by Snap-tite, Inc. and its subsidiaries at any time without notice.



Quick Disconnect & Valve Division
201 Titusville Road
Union City, Pennsylvania 16438-8699 USA
PH: 814-438-3821 FAX: 814-438-3069
e-mail: qd&v_sales@snap-tite.com
www.snap-tite.com



Industrial Estate
Whitemill - Wexford
Republic of Ireland
PH: 353 53 914 1566 FAX: 353 53 914 1582
e-mail: ste_sales@snap-tite.com
www.snap-tite.com

ISO-9001 Certified

01-0018BE-0608

28-1 & 29 Series

Compact, Light Weight
Non-Spill Couplings



Compact Couplings for Applications Requiring Minimal Air Inclusion or Spillage

Both 28-1 and 29 Series are non-spill, push-to-connect couplings designed to fit in confined spaces. Their small envelope size and aluminum material option results in a compact, lightweight connection.

The non-spill valving has minimal spillage and air inclusion while providing maximum flow with low pressure drop.

The 28-1 Series is rated for pressures up to 1000 psi (69 bar) and is available in 1/4"-2" body sizes. The 29 Series is rated for pressures up 5500 psi (379 bar) and is available in 1/8"-1-1/4" body sizes. Both products have stainless steel and aluminum material options.



28-1 Series
for pressures to 1000 psi (69 bar)

29 Series
for pressures to 5500 psi (379 bar)

Contact Information:

Parker Hannifin Corporation
Quick Coupling Division
8145 Lewis Road
Minneapolis, MN 55427

phone 763 544 7781
fax 763 544 3418
qcd_sales@parker.com

www.parker.com/quickcouplings

28-1 Series Features:

- Low pressure drop
- Push-to-connect
- 1/4" - 2" size range
- Lightweight compact design
- Wide range of seal materials
- Aluminum or stainless construction
- Visual indicator confirms full connection

29 Series Features:

- Low pressure drop
- Push-to-connect
- 1/8" - 1-1/4" size range
- High pressure design
- Wide range of seal materials
- Aluminum or stainless construction



ENGINEERING YOUR SUCCESS.

28-1 Series Performance Data



Typical Applications Include:

- Low pressure hydraulic systems
- High purity systems
- Fuel systems
- Cooling systems for electronics

Pressure Ratings

Size	Aluminum		Stainless Steel	
	Working Pressure		Working Pressure	
	PSI	Bar	PSI	Bar
1/4"	1000	69	1000	69
3/8"	1000	69	1000	69
1/2"	1000	69	1000	69
5/8"	1000	69	1000	69
3/4"	1000	69	1000	69
1"	1000	69	1000	69
1-1/4"	600	41	600	41
1-1/2"	600	41	600	41
2"	600	41	600	41

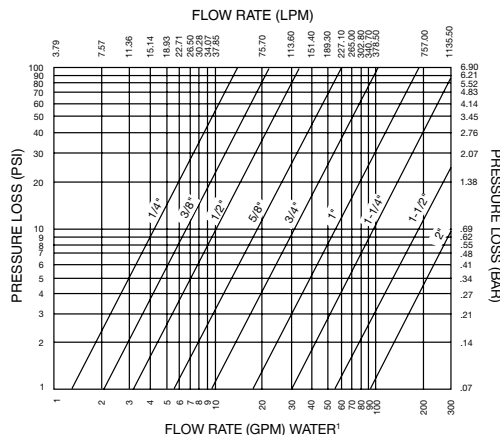
Pressure ratings were established under static pressure conditions. Therefore, pressure ratings for any given flow, pressure surge and/or vibration may vary these ratings.
 Proof pressure = 1.5 x working pressure
 Burst pressure = 2.5 x working pressure

28-1 Series Dimensions and Weights

Size	Coupler							Connected Length		Nipple						
	A		D		E		Weight		Length		B		F		Weight	
	in	mm	in	mm	in	mm	lb	g	in	mm	in	mm	in	mm	lb	g
1/4"	1.25	31.75	.88	22.35	.75	19.05	.05	22.68	1.80	45.72	1.10	27.94	.75	19.05	.02	4.54
3/8"	1.44	36.58	1.12	28.45	1.00	25.40	.11	49.90	2.02	51.31	1.20	30.48	1.00	25.40	.05	9.07
1/2"	1.61	40.89	1.34	34.04	1.13	28.70	.17	77.11	2.15	54.61	1.25	31.75	1.13	28.70	.06	27.22
5/8"	1.70	43.18	1.58	40.13	1.38	35.05	.23	104.33	2.45	62.23	1.50	38.10	1.38	35.05	.14	63.50
3/4"	2.05	52.07	1.80	45.72	1.50	38.10	.36	163.29	2.89	73.41	1.71	43.43	1.50	38.10	.15	68.04
1"	2.70	68.58	2.32	58.93	2.00	50.80	.74	335.66	3.72	94.49	2.19	55.63	2.00	50.80	.29	131.54
1-1/4"	2.56	65.02	2.63	66.80	2.25	57.15	.76	344.73	3.51	89.15	2.16	54.86	2.25	57.15	.30	136.08
1-1/2"	3.03	76.96	2.96	75.18	2.63 [†]	66.80 [†]	1.33	603.28	3.75	95.25	2.16	54.86	2.63 [†]	66.80 [†]	.33	149.69
2"	3.55	90.17	3.92	99.57	3.25 [†]	82.55 [†]	1.97	893.58	4.73	120.14	2.84	72.14	3.25 [†]	82.55 [†]	.36	163.29

[†]Weights are for aluminum. For Stainless Steel multiply aluminum weight by 2.7. All dimensions and weights are for reference only and are subject to change without notice. Dimension tolerances: A, B, D, E & F ± .03 in. (.76 mm); Connected length ± .06 in. (± 1.52 mm). ^{††}Two wrench flats.

Pressure Loss vs. Flow



[†] Pressure loss vs. flow is in water with specific gravity of 1.0. For fluids with sg of .85 multiply by 1.58; for fluids with sg of .83 multiply by 1.60. Temperature 100°F (55°C).
NOTE: Gallon shown are in U.S. gallons.

Air Inclusion on Connect, Spillage on Disconnect

Size	Air Inclusion*		Spillage	
	in ³	cc	in ³	cc
1/4"	.003	.05	.001	.01
3/8"	.011	.18	.002	.03
1/2"	.017	.28	.002	.04
5/8"	.019	.31	.008	.13
3/4"	.029	.48	.009	.15
1"	.049	.80	.018	.30
1-1/4"	.096	1.57	.024	.40
1-1/2"	.122	2.00	.043	.70
2"	.183	3.00	.061	1.00

*NOTE: Air inclusion at 0 psi (0 bar) internal pressure; spillage at 15 psi (1 bar) internal pressure.

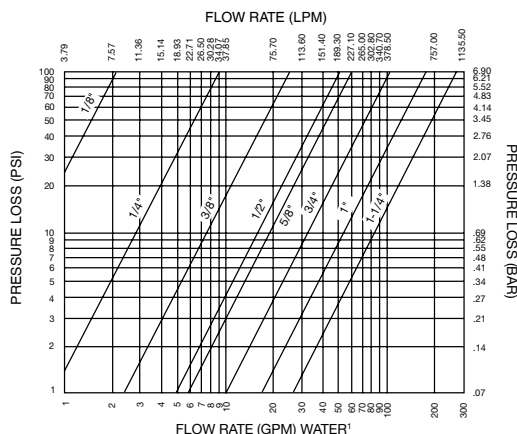
29 Series Performance Data



Typical Applications Include:

- High pressure hydraulic systems
- High purity systems
- Fuel systems
- Cooling systems for electronics

Pressure Loss vs. Flow



¹ Pressure loss vs. flow is in water with specific gravity of 1.0. For fluids with sg of .85 multiply by 1.58; for fluids with sg of .83 multiply by 1.60. Temperature 100°F (55°C).

NOTE: Gallon shown are in U.S. gallons.

Pressure Ratings

Size	Aluminum		Stainless Steel	
	Working Pressure		Working Pressure	
	PSI	Bar	PSI	Bar
1/8"	4800	331	5500	379
1/4"	3200	221	3800	262
3/8"	3000	207	3200	221
1/2"	2200	152	3000	207
1/2" x 5/8"	2200	152	3000	207
3/4"	1200	83	2000	138
1"	1000	69	1500	103
1-1/4"	750	52	1000	69

Pressure ratings were established under static pressure conditions. Therefore, pressure ratings for any given flow, pressure surge and/or vibration may vary these ratings.

Proof pressure = 1.5 x working pressure
Burst pressure = 2.5 x working pressure

Air Inclusion on Connect, Spillage on Disconnect

Size	Air Inclusion*		Spillage	
	in ³	cc	in ³	cc
1/8"	.002	.03	<.001	<.02
1/4"	.002	.03	<.001	<.02
3/8"	.002	.03	<.001	<.02
1/2"	.012	.19	.007	.12
1/2" x 5/8"	.012	.19	.007	.12
3/4"	.008	.13	.005	.08
1"	.008	.13	.005	.09
1-1/4"	.012	.19	.007	.12

***NOTE:** Air inclusion at 0 psi (0 bar) internal pressure; spillage at 60 psi (4 bar) for 1/8" and 15 psi (1 bar) internal pressure for 1/4" through 1-1/4".

29 Series Dimensions and Weights



Size	Coupler							Connected Length		Nipple						
	A		D		E		Weight		Length		B		F		Weight	
	in	mm	in	mm	in	mm	lb	g	in	mm	in	mm	in	mm	lb	g
1/8"	1.20	30.48	.88	22.35	.75	19.05	.05	22.68	1.71	43.43	1.07	27.18	.69	17.53	.03	13.61
1/4"	1.31	33.27	1.38	35.05	1.13	28.70	.13	58.97	2.01	51.05	1.30	33.02	1.13	28.70	.07	31.75
3/8"	1.57	39.88	1.63	41.40	1.25	31.75	.20	90.72	2.36	59.94	1.48	37.59	1.38	35.05	.10	45.36
1/2"	1.53	38.86	1.94	49.28	1.50	38.10	.42	190.51	2.64	67.06	1.76	44.70	1.63	41.40	.23	104.33
1/2" x 5/8"	1.53	38.86	1.94	49.28	1.50	38.10	.42	190.51	2.64	67.06	1.76	44.70	1.63	41.40	.23	104.33
3/4"	1.89	48.01	2.35	59.69	1.88	47.75	.49	222.26	2.81	71.37	2.09	53.09	1.88	47.75	.31	140.61
1"	2.45	62.23	2.44	61.98	2.13	54.10	.70	317.51	3.60	91.44	2.50	63.50	2.13	54.10	.36	163.29
1-1/4"	2.52	64.01	2.88	73.15	2.69 [†]	68.33 [†]	.86	390.09	3.64	95.46	2.90	73.66	2.75 [†]	69.85 [†]	.71	322.05

[†]Weights are for aluminum. For Stainless Steel multiply aluminum weight by 2.7. All dimensions and weights are for reference only and are subject to change without notice. Dimension tolerances: A, B, D, E & F ± .03 in. (.76 mm); Connected length ± .06 in. (± 1.52 mm). ^{††}Two wrench flats.

28-1 and 29 Series End Fitting Configurations

Size	G-57		G-EB		H		J		K		M		(Max) T		T			
	in	mm	in	mm	in	mm	in	mm	in	mm	in	mm	in	mm	in	mm		
1/8"	.95	24.13	1.14	28.96	.01	4.53	.86	21.84	.01	4.53	.45	11.43	.01	4.53	.38	9.65	.01	4.53
1/4"	1.05	26.67	1.23	31.24	.01	4.53	.97	24.64	.01	4.53	.55	13.97	.01	4.53	.45	11.43	.01	4.53
3/8"	1.13	28.70	1.31	33.27	.01	4.53	1.02	25.91	.01	4.53	.56	14.22	.01	4.53	.47	11.94	.01	4.53
1/2"	1.28	32.51	1.47	37.34	.03	13.61	1.16	29.46	.02	9.07	.66	16.76	.01	4.53	.56	14.22	.01	4.53
5/8"	1.42	36.07	1.61	40.89	.04	18.14	1.30	33.02	.03	13.61	.76	19.30	.02	9.07	.63	16.00	.02	9.07
3/4"	1.59	40.39	1.78	45.21	.06	27.22	1.41	35.81	.05	22.68	.86	21.84	.03	13.61	.69	17.53	.03	13.61
1"	1.59	40.39	1.78	45.21	.09	40.82	1.41	35.81	.07	31.75	.91	23.11	.05	22.68	.69	17.53	.03	13.61
1-1/4"	1.64	41.66	1.83	46.48	.14	63.50	1.41	35.81	.12	54.43	.96	24.38	.08	36.29	.69	17.53	.06	27.22
1-1/2"	1.66	42.16	1.84	46.74	.17	77.11	1.41	35.81	.13	58.97	1.08	27.43	.11	49.90	.69	17.53	.07	31.75
2"	1.94	49.28	2.12	53.85	.21	95.25	1.61	40.89	.19	86.18	1.33	33.78	.15	68.04	.69	17.53	.10	45.36

¹Weights are for aluminum. For Stainless Steel multiply aluminum weight by 2.7.

Ordering Information

A 28-1 C 8 - 8 F

Seals**:
 A = Nitrile (AMS 3215)
 V = Fluorocarbon
 JF = Nitrile (MIL-P-5315)
 M = Nitrile (MIL-P-25732)
 E = Ethylene Propylene

End Fitting Type:
 57 = MS33657 Bulkhead
 15 = MS33515 Bulkhead
 56 = MS33656 37° Male Flare
 14 = MS33514 Male
 49 = MS33649 Female
 F = Female NPTF
 RP = Female British Parallel BS 2779
 M = Male NPT
 EM = SAE Male 37° Flare
 EB = SAE Bulkhead

End Fitting Size:
 2 = 1/8" 12 = 3/4"
 4 = 1/4" 16 = 1"
 6 = 3/8" 20 = 1-1/4"
 8 = 1/2" 32 = 2"
 10 = 5/8"

Coupler or Nipple Size:
 2 = 1/8" 12 = 3/4"
 4 = 1/4" 16 = 1"
 6 = 3/8" 20 = 1-1/4"
 8 = 1/2" 32 = 2"
 10 = 5/8"

Body:
 C = Coupler
 N = Nipple

Series:
 28-1
 29

Material:
 A = Aluminum
 S = Stainless Steel

* Available 29 only

[†] Available 28-1 only

** Standard seal in 28-1 Series Nitrile (AMS 3215) - no letter designation required
 Standard seal in 29 Series Nitrile (MIL-P-25732) - no letter designation required
 For other seal compounds, consult QCD

Note: Not all configurations are standard product offering.
 Contact QCD for price and delivery.

28-1 Series Dust Caps

Size	Coupler	Nipple
1/4"	A28-1DCC-4	A28-1DCN-4
3/8"	A28-1DCC-6	A28-1DCN-6
1/2"	A28-1DCC-8	A28-1DCN-8
5/8"	A28-1DCC-10	A28-1DCN-10
3/4"	A28-1DCC-12	A28-1DCN-12
1"	A28-1DCC-16	A28-1DCN-16
1-1/4"	A28-1DCC-20	A28-1DCN-20
2"	A28-1DCC-32	A28-1DCN-32

Standard Material = Aluminum
 Replace "A" in part number above with "S" for stainless steel

29 Series Dust Caps

Size	Coupler	Nipple	Pressure Cap for Nipple
1/8"	ADP29-2	ADC29-2	APC29-2
1/4"	ADP29-4	ADC29-4	APC29-4
3/8"	ADP29-6	ADC29-6	APC29-6
1/2"	ADP29-8	ADC29-8	APC29-8
3/4"	ADP29-12	ADC29-12	APC29-12
1"	ADP29-16	ADC29-16	APC29-16
1-1/4"	ADP29-20	ADC29-20	APC29-20



 *Snap-Tite*

Dry
Break
Couplings

71
SERIES



★ Snap-tite 71 Series -- Flush Face/Dry Break Couplings

Featuring...Snap-tite quality with superior pressure and flow characteristics over the competition.



The 71 Series couplings are designed for today's applications including special features for modern needs - dry break, push-to-connect, high pressure, rugged & versatile. Extra large flow chambers and Snap-tite's exclusive valve design permit exceptional flow while maintaining low pressure drop.

- **Flush Face/Dry Break** — Air inclusion and fluid loss are held to a minimum to prevent spillage and contamination of systems.
- **Push-to-Connect** — Ideal one-hand operation when one half is mounted. Simply insert the nipple into the coupler and push-to-connect. To disconnect, retract the sleeve; and the coupling halves disconnect.
- **Rugged** — Heavy duty construction is ideally suited for high impulse applications.
- **Pressure Capability** — Designed for up to 10,000 psi (690 bar) operating pressures.
- **Versatile** — Available in steel with Zinc Trivalent Chromate plating, 316 Stainless steel, as well as other materials. Special seals for troublesome media are available; consult factory for details.
- **Available sizes** — 1/8", 1/4", 3/8", 1/2", 3/4", 1", 1-1/4", 1-1/2" and 2".
- **Superior flow and low pressure drop**
- **Sleeve lock** — Designed to provide protection against accidental disconnection.
- **Available with Autoclave cone and threaded fittings** — Consult factory

Conforms with ROHS and WEEE European Union Directives

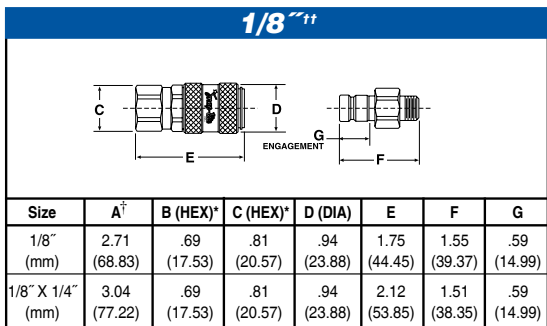
PRESSURE RATINGS

SIZE (INCHES)	SPILLAGE (CC)	AIR INCLUSION (CC)	STEEL				316 STAINLESS STEEL				HIGH PRESSURE STAINLESS STEEL			
			MAX. WORKING		MIN. BURST*		MAX. WORKING		MIN. BURST*		MAX. WORKING		MIN. BURST*	
			PSI	BAR	PSI	BAR	PSI	BAR	PSI	BAR	PSI	BAR	PSI	BAR
1/8"	.12	.02	10,000	689	22,000	1517	N/A		N/A		N/A		N/A	
1/4"	.02	.01	10,000	689	20,000	1379	5,000	344	12,500	862	10,000	689	20,000	1379
3/8" x 1/4" ¹	.02	.02	10,000	689	20,000	1379	5,000	344	12,500	862	10,000	689	20,000	1379
3/8"	.02	.02	10,000	689	20,000	1379	5,000	344	12,500	862	10,000	689	20,000	1379
3/8" x 1/2" ²	.02	.02	10,000	689	20,000	1379	5,000	344	12,500	862	10,000	689	20,000	1379
1/2"	.03	.03	10,000	689	20,000	1379	5,000	344	12,500	862	10,000	689	20,000	1379
3/4"	.06	.04	7,500	517	15,000	1034	5,000	344	12,500	862	7,500	517	15,000	1034
1"	.10	.06	7,500	517	15,000	1034	4,000	275	10,000	689	7,500	517	15,000	1034
1" x 1-1/4" ³	.10	.06	7,500	517	15,000	1034	4,000	275	10,000	689	7,500	517	15,000	1034
2" x 1-1/2" ⁴	5.25	30.50	5,000	344	10,000	689	3,000	206	6,000	413	5,000	344	10,000	689
2"	5.25	30.50	5,000	344	10,000	689	3,000	206	6,000	413	5,000	344	10,000	689

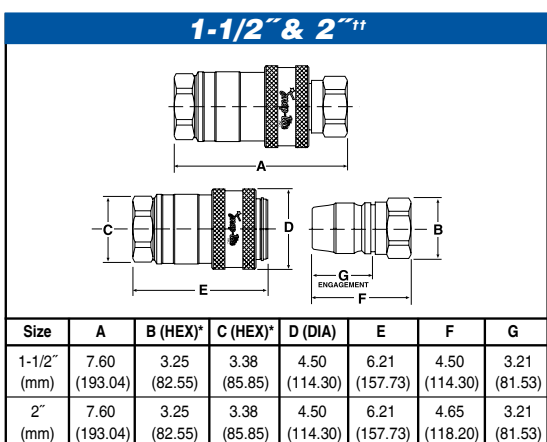
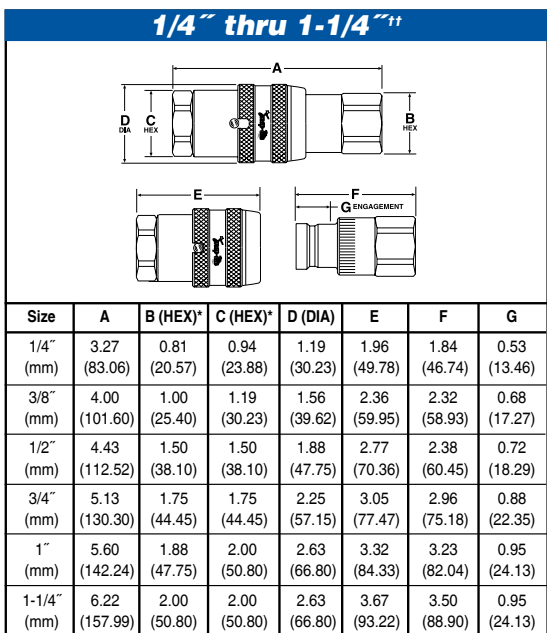
¹Unit is 3/8" with 1/4" end fitting. ²Unit is 3/8" with 1/2" end fitting. ³1" unit with 1-1/4" end fitting, and ⁴2" unit with 1-1/2" end fitting.

*NOTE: Pressure Ratings were established under static pressure conditions. For high impulse applications, multiply the above pressure ratings by .6 for approximate pressure ratings.

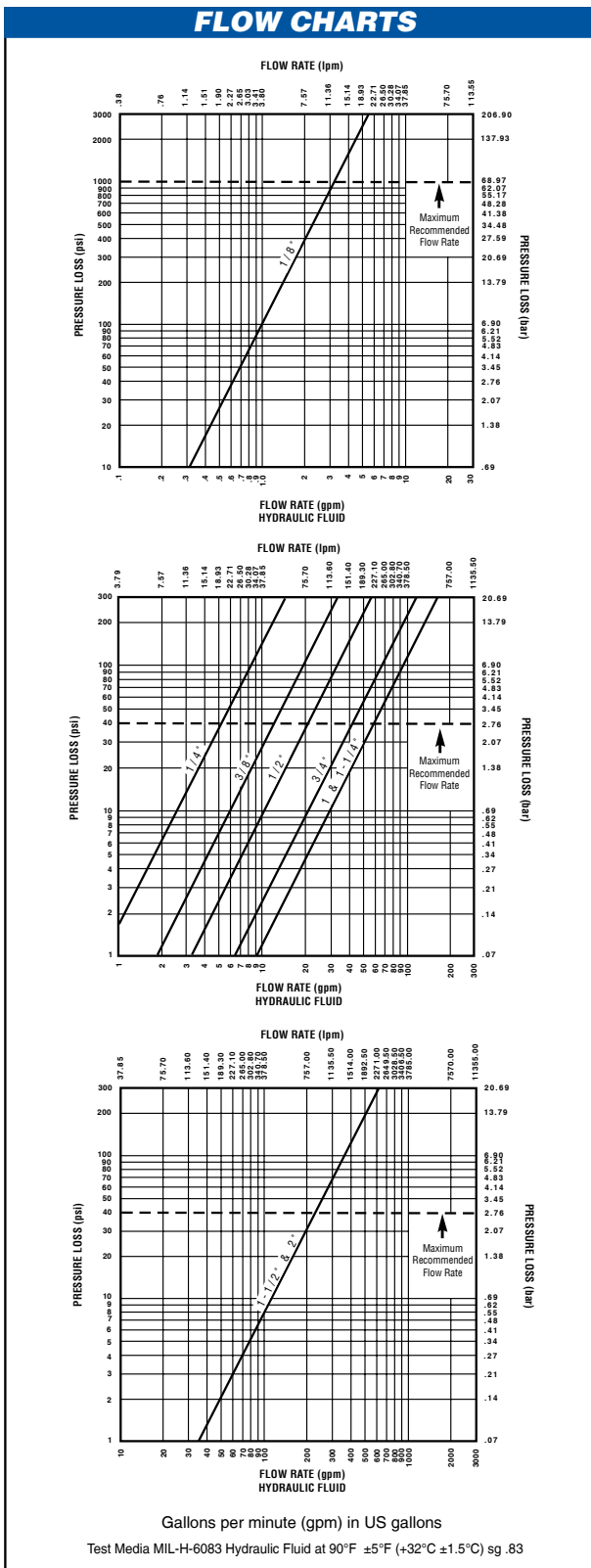
TECHNICAL AND DIMENSIONAL INFORMATION



† Connected length.



*Hex dimensions are taken from flat of hex and not across corners. Hex may be substituted with round stock. Hex column would then indicate dimension taken across wrench flats.
 Decimal dimensions are ± .06 in. (1.5mm)
 Dimensions are subject to change without notice.
 Part configurations are typical and do not necessarily represent actual appearance.
 ††Note: 1/4" thru 1-1/4" are flush face couplings. 1/8", 1-1/2" & 2" maintain a recessed face on coupler half.



HOW TO ORDER

<div style="display: flex; justify-content: center; gap: 10px;"> <div style="border: 1px solid black; padding: 2px;">Part No.</div> <div style="border: 1px solid black; padding: 2px;">71-3</div> <div style="border: 1px solid black; padding: 2px;">C</div> <div style="border: 1px solid black; padding: 2px;">4</div> <div style="font-size: 20px;">-</div> <div style="border: 1px solid black; padding: 2px;">4</div> <div style="border: 1px solid black; padding: 2px;">F</div> </div>							
Material	Series	Coupling Half	Coupling Size	End Fitting Size	End Fitting Type	Seals	Options
No letter Steel, plated S 316 Stainless Steel SH High Pressure Stainless Steel	71 (1/8") S (1-1/2" & 2" nipples) 71-1 (1-1/2" & 2" couplers) 71-3 (1/4" thru 1-1/4")	C Coupler N Nipple	2 = 1/8" 4 = 1/4" 6 = 3/8" 8 = 1/2" 12 = 3/4" 16 = 1" 32 = 2"	2 = 1/8" 4 = 1/4" 6 = 3/8" 8 = 1/2" 12 = 3/4" 16 = 1" 20 = 1-1/4" 24 = 1-1/2" 32 = 2"	F* Female NPTF M† Male NPT EF Female SAE RP Female British Parallel BS2779	Autoclave cone & threaded fittings available (consult factory) V= Viton E= Ethylene Propylene Rubber M= MHO	SL Sleeve Lock

* For sizes up to 1" NPTF threads in steel.
For sizes up to 1" NPSF threads in stainless steel.
For sizes over 1" NPT threads.

† Available on 1/8" coupling sizes only.

NOTES:

1. The new 71-3 style couplers and nipples are interchangeable with old-style couplers and nipples in sizes 3/8", 1/2" and 3/4".
2. Old style 1" couplers and nipples (71-2C16 and 71-2N16) are not interchangeable with new 71-3 style. Old style may be special ordered from the factory if interchangeability is an issue.
3. Spare parts kits are available for all styles in sizes 1/4" and 2".
4. Internal components of S and SH style 71 Series are not all 316 grade stainless steel. Consult factory for details.
5. Plastic cap can be used on either coupler or nipple.

MAXIMUM RECOMMENDED CONNECT/DISCONNECT PRESSURES		
SIZE	PRESSURE	
	PSI	BAR
1/8", 1/4"	300	21
3/8", 1/2", 3/4"	150	11
1", 1-1/4"	75	5
1-1/2", 2"	0	0

PLASTIC DUST CAPS	
COUPLER/NIPPLE DUST CAP	
Size	71-3 Style
1/8"	N/A
1/4"	71-PDC-4
3/8"	71-PDC-6
1/2"	71-PDC-8
3/4"	71-PDC-12
1"	71-PDC-16

! WARNING !

FAILURE OR IMPROPER SELECTION OR IMPROPER USE OF THE PRODUCTS AND/OR SYSTEMS DESCRIBED HEREIN OR RELATED ITEMS CAN CAUSE DEATH, PERSONAL INJURY AND PROPERTY DAMAGE.

This document and other information from Snap-tite, Inc., its subsidiaries and authorized distributors provide product and/or system options for further investigation by users having technical expertise. It is important that you analyze all aspects of your application and review the information concerning the product or system in the current product catalog. Due to the variety of operation conditions and applications for these products or systems, the user, through its own analysis and testing, is solely responsible for making the final selection of the products and systems and assuring that all performance, safety and warning requirements of the application are met.

The products described herein, including without limitation, product features, specifications, designs, availability and pricing, are subject to change by Snap-tite, Inc. and its subsidiaries at any time without notice.

★ Snap-tite

COMPONENTS, INC.

Quick Disconnect & Valve Division
201 Titusville Road
Union City, Pennsylvania 16438-8699 USA
Ph: 814-438-3821 Fax: 814-438-3069
e-mail: qd&v_sales@snap-tite.com
www.snap-tite.com

★ Snap-tite

EUROPE

Industrial Estate
Whitemill - Wexford
Republic of Ireland
Ph: 353 53 914 1566 Fax: 353 53 914 1582
e-mail: ste_sales@snap-tite.com
www.snap-tite.com

DISTRIBUTED BY:

ISO-9001 Certified

01-0003BE-0609

 *Snap-tite*

ISO
16028
Interchange

74
SERIES



Snap-tite 74 Series — ISO 16028 Interchange

Featuring...Snap-tite quality with superior pressure and flow characteristics over the competition.



- Flush Face/Dry Break design facilitates easy cleaning prior to connection
- High strength steel construction
- Heavy duty Zinc Trivalent Chromate plating for exceptional corrosion resistance
- Sizes - 1/4", 3/8", 1/2", 5/8", 3/4" & 1" (6.3, 10, 12.5, 16, 19 & 25 mm)
- Push-to-connect design
- Industry Interchangeability - couplers and nipples are interchangeable with other manufacturer's ISO 16028 couplings
- Connect Under Pressure Capability - currently available in 1/2" size in either coupler or nipple half
- 4:1 Safety factor
- 3/8" size also conforms to HTMA (Hydraulic Tool Manufacturers Association) standards

Conforms with ROHS and WEEE European Union Directives

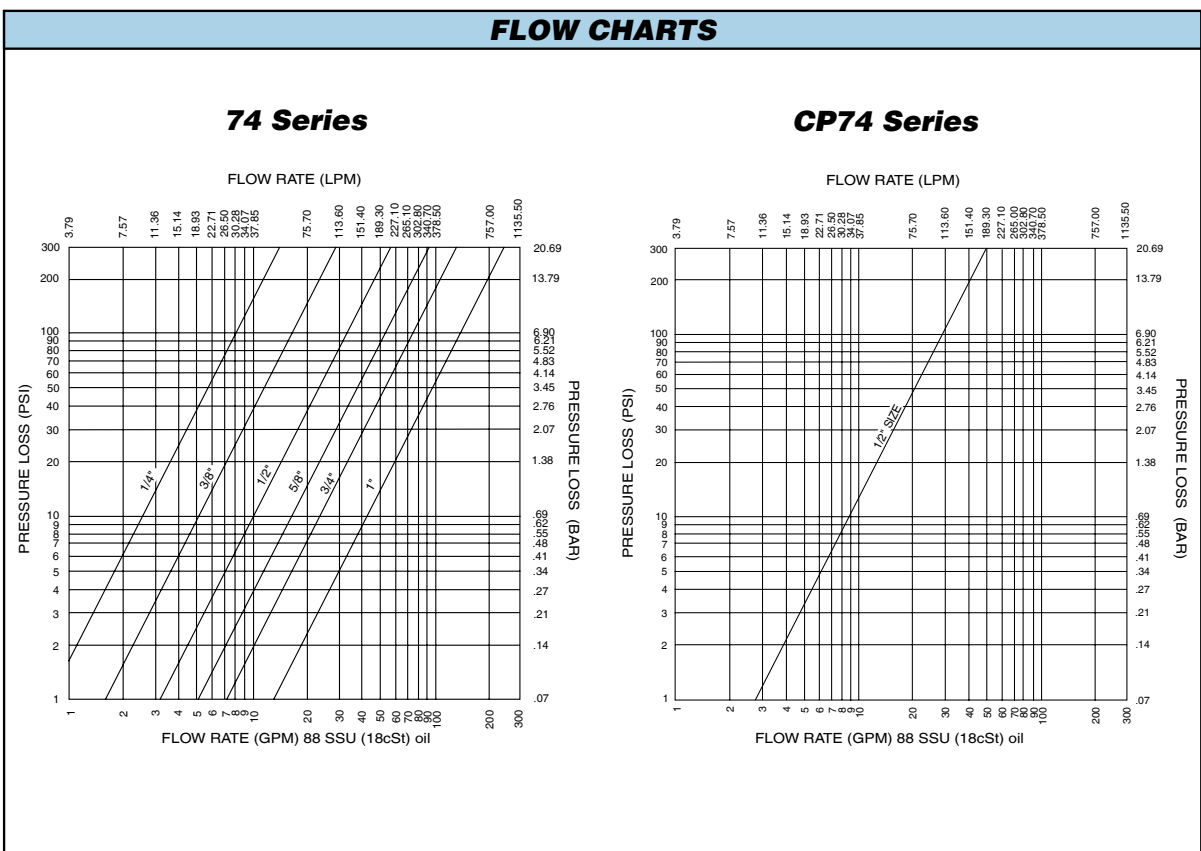
Snap-tite's expanded 74 Series product line is designed to meet or exceed the requirements called out in ISO 16028. The 3/8" unit also meets or exceeds the requirements as established by HTMA specifications and defined by ANSI/NFPA T3.20.15-1991.

In addition, Snap-tite's patented Series CP74 coupling is designed to meet a multitude of issues presently faced by users worldwide. Trapped pressure, whether residual or created by thermal expansion, prevents standard quick connect couplings from connecting as designed. Construction, portable hydraulic tools and utility equipment are a few of the many industries where connections made under pressure would save valuable time and money. Snap-tite's Series CP74 is "The Answer" to this dilemma.

The connect under pressure (CP) option allows either coupling half to be placed on the pressurized portion of the hydraulic circuit with static pressure up to 3625 psi (250 bar). It can then easily connect to Snap-tite's 74 Series or any other ISO 16028 mate of the same size without damage to the coupling or endangering the environment with subsequent spillage. Durability, reliability and concern for the environment were considered when designing Snap-tite's 74 Series coupling featuring one hand, push-to-connect and disconnect convenience.

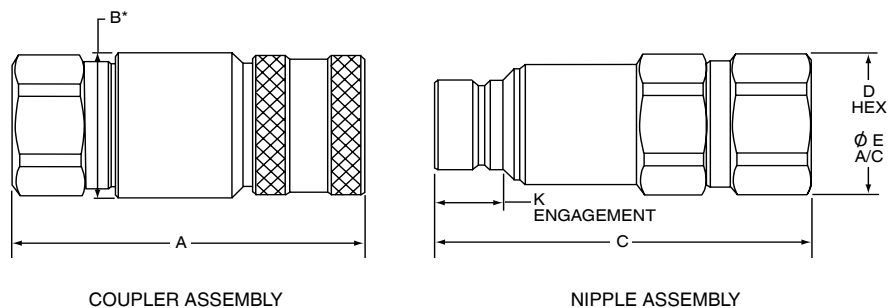
TECHNICAL INFORMATION

PRESSURE RATINGS						
Size		Spillage	Operating		Minimum Burst	
in	mm	cc	psi	bar	psi	bar
1/4"	6.3	0.020	4568	315	18,270	1260
3/8"	10	0.035	3625	250	14,500	1000
1/2"	12.5	0.070	3625	250	14,500	1000
5/8"	16	0.100	3625	250	14,500	1000
3/4"	19	0.150	3625	250	14,500	1000
1"	25	0.250	2900	200	11,600	800



CP74 SERIES DIMENSIONAL INFORMATION

CP74 catalog dimensions are the same regardless of end fitting. See page 6, "How to Order", for currently available standard end fittings.

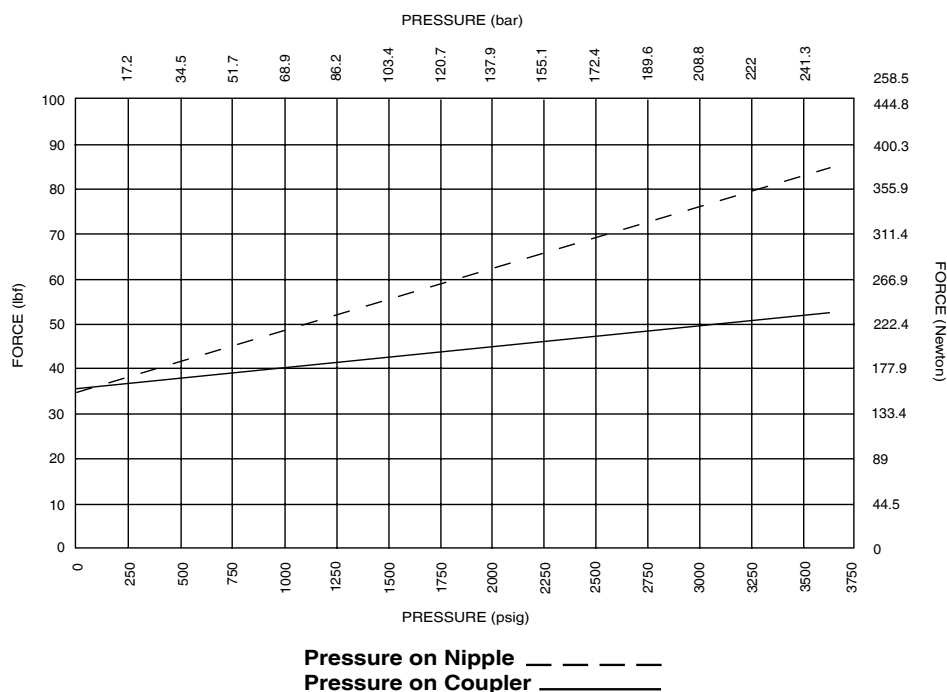


SIZE	A	B*	C	D	E	K
1/2" (mm)	3.55 90.17	1.55 39.37	3.80 96.52	1.38 35.05	1.51 38.35	0.68 17.27

*The "B" dimension is the body dimension.
(The body is larger in diameter than the sleeve on CP74)
All decimal dimensions are ± .030 in (0.76 mm)

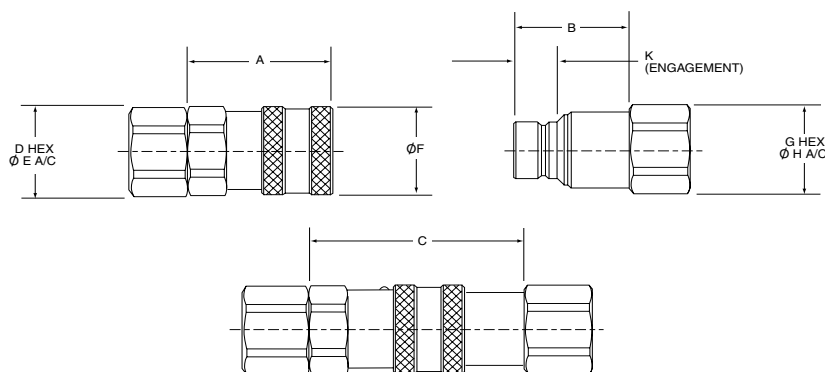
CP74 NOTE: The CP74 Series products operate slightly different from traditional dry break couplings. When making a connection with no pressure on the coupler and up to 3625 psi (250 bar) on the nipple, a slight pause during connections is required to allow trapped pressure to vent to the coupler before completing the connection. Partial connection followed by disconnection may result in damage to the coupling.

CP74 CONNECT FORCE



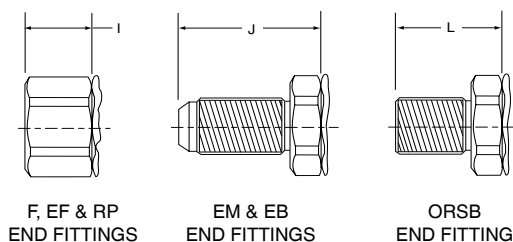
NOTE: By comparison, it would take approximately 40 lbs (177.9 Newton) of force to connect a standard 1/2" ISO 16028 coupling with 200 psi (14 bar) internal pressure.

74 SERIES DIMENSIONAL INFORMATION



SIZE	A	B	C	D	E	F	G	H	K
1/4" (mm)	1.80 45.72	1.26 32.00	2.63 66.80	1.00 25.40	1.10 27.94	1.12 28.45	0.81 20.57	0.89 22.61	0.43 10.92
3/8" (mm)	1.92 48.77	1.55 39.37	2.86 72.64	1.00 25.40	1.10 27.94	1.20 30.48	0.94 23.88	1.03 26.16	0.61 15.49
1/2" (mm)	2.32 58.93	1.84 46.74	3.47 88.14	1.38 35.05	1.51 38.35	1.50 38.10	1.38 35.05	1.51 38.35	0.68 17.27
5/8" (mm)	2.07 52.58	1.98 50.29	3.36 85.34	1.50 38.10	1.65 41.91	1.69 42.93	1.50 38.10	1.65 41.91	0.69 17.53
3/4" (mm)	3.08 78.23	2.27 57.66	4.47 113.54	1.75 44.45	1.93 49.02	1.81 45.97	1.63 41.40	1.80 45.72	0.88 22.35
1" (mm)	2.93 74.42	2.55 64.77	4.55 115.57	2.00 50.80	2.20 55.88	2.25 57.15	1.88 47.75	2.06 52.32	0.93 23.62

OPTIONAL END FITTING DIMENSIONS



	Coupler	Nipple		Coupler	Nipple
6-8F or RP (mm)	0.86 21.84	1.00 25.40	8-12EF (mm)	1.02 25.91	1.10 27.94
6-8EF (mm)	0.61 15.49	0.80 20.32	10-12F (mm)	1.10 27.94	1.09 27.69
8-10EF (mm)	0.89 22.61	0.97 24.64	10-12EF (mm)	1.10 27.94	1.09 27.69
8-10EM (mm)	1.18 29.97	1.20 30.48	10-12RP (mm)	1.04 26.42	1.03 26.16
8-10EB (mm)	2.02 51.31	2.04 51.82	10-12EM (mm)	1.39 35.31	1.39 35.31
8-10ORSB (mm)	1.70 43.18	1.71 43.43	10-12EB (mm)	2.28 57.91	2.28 57.91

BASIC END FITTING DIMENSIONS

	1/4"		3/8"		1/2"		5/8"		3/4"		1"	
	Coupler	Nipple	Coupler	Nipple	Coupler	Nipple	Coupler	Nipple	Coupler	Nipple	Coupler	Nipple
-F (mm)	0.44 11.18	0.58 14.73	0.52 13.21	0.67 17.02	0.96 24.38	1.03 26.16			0.53 13.46	1.05 26.67	1.21 30.73	1.04 26.42
-EF (mm)	0.44 11.18	0.58 14.73	0.52 13.21	0.67 17.02	0.72 18.29	0.83 21.08			0.53 13.46	1.05 26.67	1.19 30.23	1.04 26.42
-RP (mm)	0.44 11.18	0.58 14.73	0.52 13.21	0.67 17.02	0.90 22.86	0.96 24.38			0.53 13.46	1.05 26.67	1.21 30.73	1.04 26.42
-EM (mm)	1.05 26.67	1.03 26.16			1.09 27.69	1.09 27.69	1.26 32.00	1.26 32.00	1.34 34.04	1.32 33.53	1.51 38.35	1.58 40.13
-EB (mm)	1.73 43.94	1.71 43.43			1.90 48.26	1.90 48.26	2.11 53.59	2.11 53.59	2.23 56.64	2.22 56.39	2.38 60.45	2.32 58.93

All decimal dimensions are ±.030 in. (0.76 mm)

HOW TO ORDER

Part No. 74 C 8 - 8 F

Special Feature	Series	Coupling Half	Coupling Size	End Fitting Size	End Fitting Type	Seal Material	Options
No letter Std. 74 Series CP* Connect under pressure option	74	C Coupler N Nipple	4 = 1/4" 6 = 3/8" 8 = 1/2" 10 = 5/8" 12 = 3/4" 16 = 1"	4 = 1/4" 6 = 3/8" 8 = 1/2" 10 = 5/8" 12 = 3/4" 16 = 1"	F Female NPTF RP Female British Parallel BS2779 EF Female SAE EM Male SAE EB Bulkhead SAE ORSB Bulkhead O-ring Face Seal	No letter for Buna N (Code A) V Viton	SL Sleeve lock

*CP74 feature currently only available in 1/2" (8) body size with end fitting sizes and types: -8F, -8RP, -8EF, -10EF and -12EF.

ACCESSORIES	
Size	Coupler/Nipple Dust Cap
1/4	74PDC-4
3/4	74PDC-6
1/2	74PDC-8
5/8	74PDC-10
3/4	74PDC-12
1	74PDC-16

Dust caps are universal and can be used on either the coupler or nipple half.

! WARNING !

FAILURE OR IMPROPER SELECTION OR IMPROPER USE OF THE PRODUCTS AND/OR SYSTEMS DESCRIBED HEREIN OR RELATED ITEMS CAN CAUSE DEATH, PERSONAL INJURY AND/OR PROPERTY DAMAGE.

This document and other information from Snap-tite, Inc., its subsidiaries and authorized distributors, provides product and/or system options for further investigation by users having technical expertise. It is important that you analyze all aspects of your application and review the information concerning the product or system in the current product catalog. Due to the variety of operation conditions and applications for these products or systems, the user, through its own analysis and testing, is solely responsible for making the final selection of the products and systems and assuring that all performance, safety and warning requirements of the application are met.

The products described herein, including without limitation, product features, specifications, designs, availability and pricing, are subject to change by Snap-tite, Inc. and its subsidiaries at any time without notice.


Snap-tite
COMPONENTS, INC.

Quick Disconnect & Valve Division
201 Titusville Road
Union City, Pennsylvania 16438-8699 USA
PH: 814-438-3821 FAX: 814-438-3069
e-mail: qd&v_sales@snap-tite.com
www.snap-tite.com


Snap-tite
EUROPE

Industrial Estate
Whitemill - Wexford
Republic of Ireland
PH: 353 53 914 1566 FAX: 353 53 914 1582
e-mail: ste_sales@snap-tite.com
www.snap-tite.com

ISO-9001 Certified

01-0014BE-0109

★ Snap-Tite

High
Pressure
Couplings

77
SERIES



Snap-tite 77 Series — High Pressure Couplings

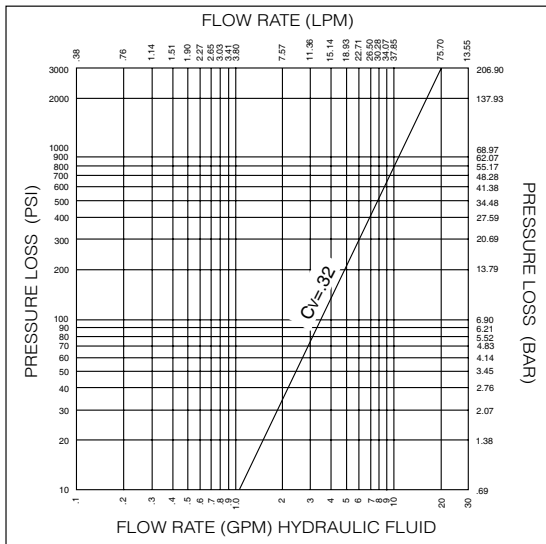
Featuring...Snap-tite quality with superior pressure and flow characteristics over the competition.



- Dry break flush valve minimizes fluid loss and air inclusion
- Rugged heavy duty construction with superior flow characteristics
- Designed for operating pressures up to 36,000 psi (2482 bar)
- Materials – high strength steel with Zinc Trivalent Chromate plating or electroless nickel plating as well as 316 stainless steel
- Proven dog-lock mechanism provides safe, positive connection and eliminates ball brinelling
- Internal sleeve lock standard as safety feature
- Available in 1/4" size
- End fitting versatility due to two piece body construction

PRESSURE DROP*

*Test units equipped with female NPTF end fittings



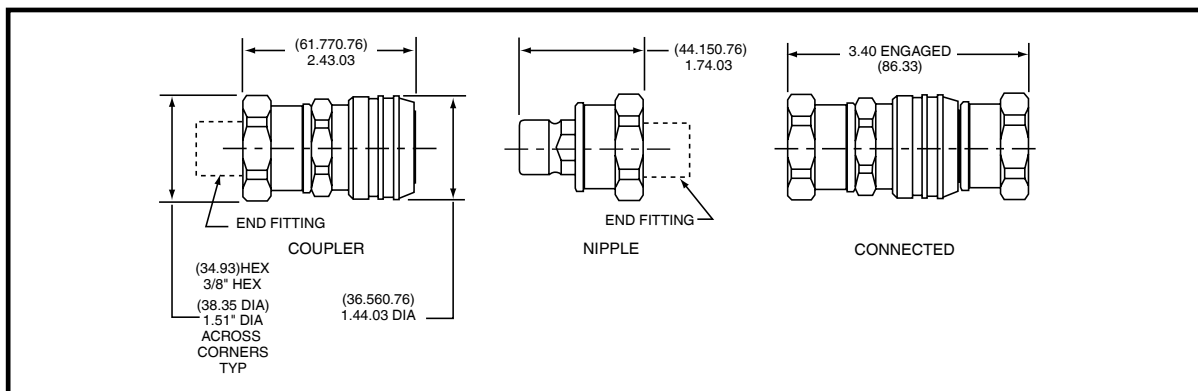
Conforms with ROHS and WEEE European Union Directives

The 77 Series is designed for applications such as hydraulic test stands, hydrotesting and offshore drilling and production platforms where high pressure fluids and cleanliness is mandatory.

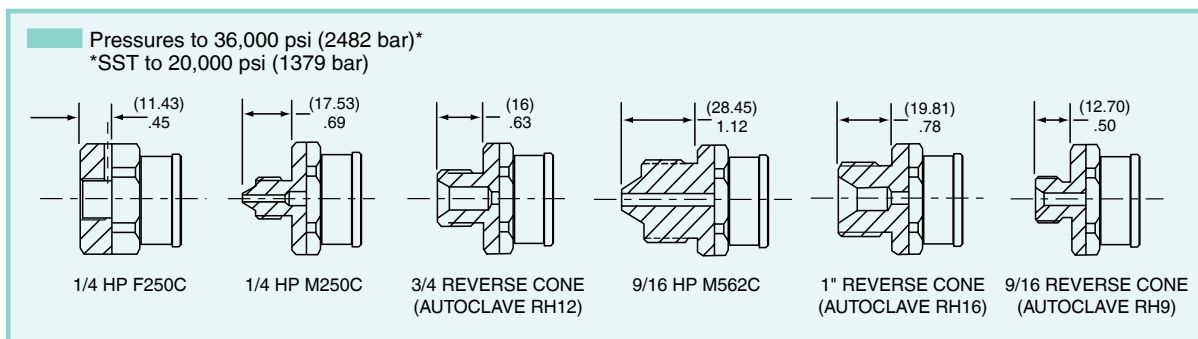
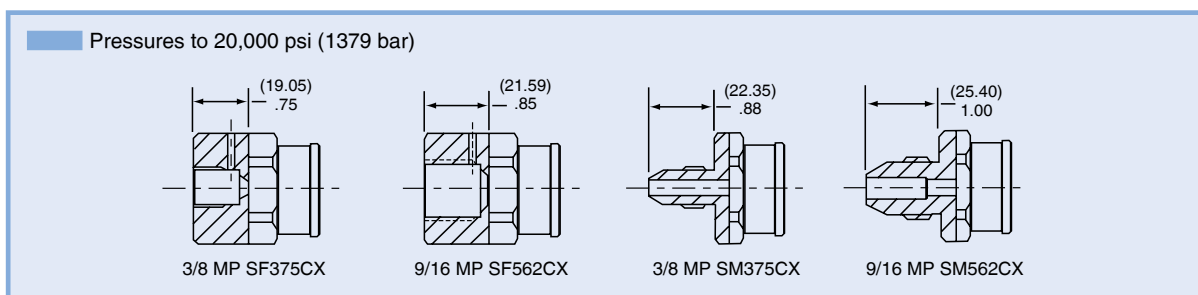
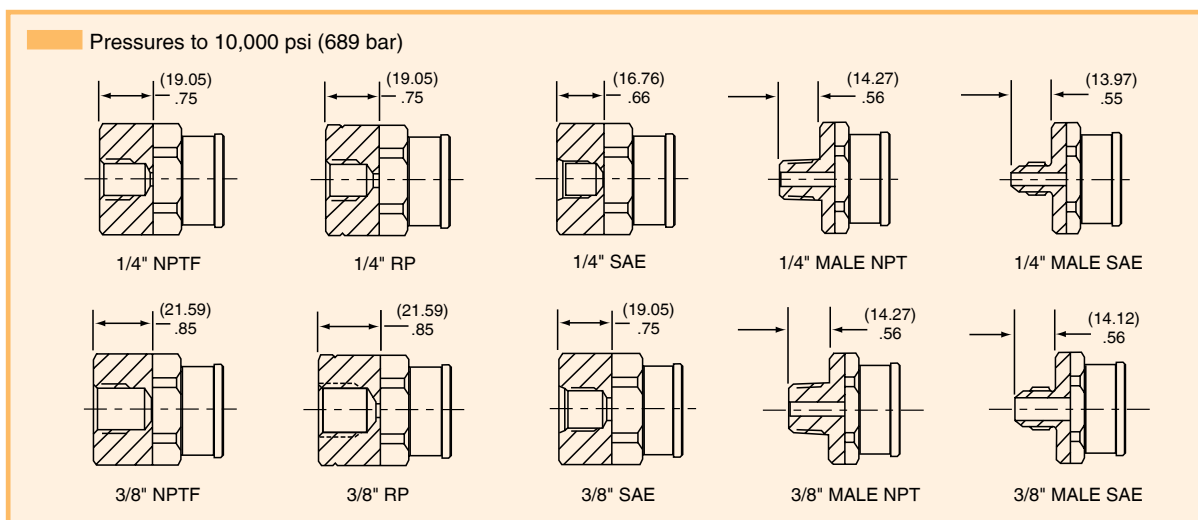
PRESSURE RATINGS

SIZE (inches)	SPILLAGE (cc)	AIR INCLUSION (cc)	STEEL				316 STAINLESS STEEL			
			MAX. WORKING		MIN. BURST		MAX. WORKING		MIN. BURST	
			PSI	BAR	PSI	BAR	PSI	BAR	PSI	BAR
1/4"	.04	.04	36,000	2482	72,000	4965	20,000	1379	40,000	2759

TECHNICAL AND DIMENSIONAL INFORMATION



AVAILABLE END FITTINGS



HOW TO ORDER

PART NO. S 77 C 4 SF562CX							
Material	Body Type	Series	Coupling Half	Coupling Size		Seal Material	Special Options
No letter Plated Steel S 316 Stainless Steel	No letter Valved P Unvalved (nipple only)	77 Series	C Coupler N Nipple	4 = 1/4"	End Fitting Type*	No letter Buna N V Viton	EN Electroless Nickel Plating
					Pressures to 10,000 psi (689 bar)	Pressures to 20,000 psi (1379 bar)	Pressures to 36,000 psi (2482 bar)* *SST to 20,000 psi (1379 bar)
					-4F 1/4" Female NPTF -4EF 1/4" Female SAE -4RP 1/4" Female British Parallel BS2779 -4M 1/4" Male NPT -4EM 1/4" Male SAE -6F 3/8" Female NPTF -6EF 3/8" Female SAE -6RP 3/8" Female British Parallel BS2779 -6M 3/8" Male NPT -6EM 3/8" Male SAE	SF562CX 9/16" Female Medium Pressure SF375CX 3/8" Female Medium Pressure SM562CX 9/16" Male Medium Pressure SM375CX 3/8" Male Medium Pressure	M562C 9/16" High Pressure Male RH9 9/16" Reverse Cone RH12 3/4" Reverse Cone RH16 1" Reverse Cone F250C 1/4" Female High Pressure M250C 1/4" Male High Pressure

*Other end fittings available upon request

! WARNING !

FAILURE OR IMPROPER SELECTION OR IMPROPER USE OF THE PRODUCTS AND/OR SYSTEMS DESCRIBED HEREIN OR RELATED ITEMS CAN CAUSE DEATH, PERSONAL INJURY AND/OR PROPERTY DAMAGE.

This document and other information from Snap-tite, Inc., its subsidiaries and authorized distributors, provides product and/or system options for further investigation by users having technical expertise. It is important that you analyze all aspects of your application and review the information concerning the product or system in the current product catalog. Due to the variety of operation conditions and applications for these products or systems, the user, through its own analysis and testing, is solely responsible for making the final selection of the products and systems and assuring that all performance, safety and warning requirements of the application are met.

The products described herein, including without limitation, product features, specifications, designs, availability and pricing, are subject to change by Snap-tite, Inc. and its subsidiaries at any time without notice.



Quick Disconnect & Valve Division
201 Titusville Road
Union City, Pennsylvania 16438-8699 USA
Ph: 814-438-3821 Fax: 814-438-3069
e-mail: qd&v_sales@snap-tite.com
www.snap-tite.com



Industrial Estate
Whitemill - Wexford
Republic of Ireland
Ph: 353 53 914 1566 Fax: 353 53 914 1582
e-mail: ste_sales@snap-tite.com
www.snap-tite.com

ISO-9001 Certified

DISTRIBUTED BY:

01-0006BE-0608



THREAD TO CONNECT COUPLINGS 78 SERIES

Featuring...
Snap-tite quality with superior pressure and flow characteristics over the competition

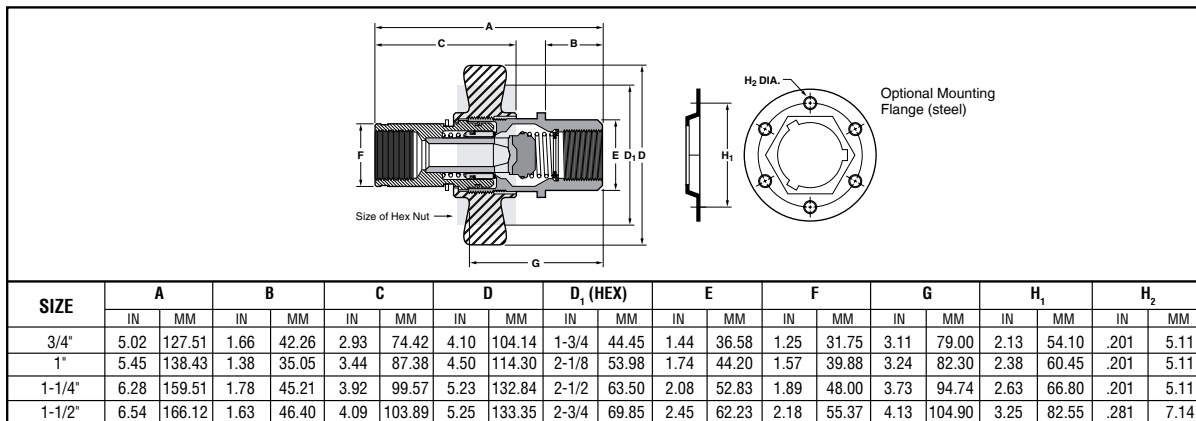


- **Interchangeable with Aeroquip 5100 Series and Parker 6100 Series**
- **Heavy duty wing nut or hex nut for easy connection of threaded units**
- **Dry-break design connects under full operating pressure of 3000 psi (207 bar) keeping spillage to a minimum**
- **4,500 psig (310 bar) proof pressure**
- **Sizes 3/4" , 3/4" x 1/2" , 1" , 1-1/4" and 1-1/2"**

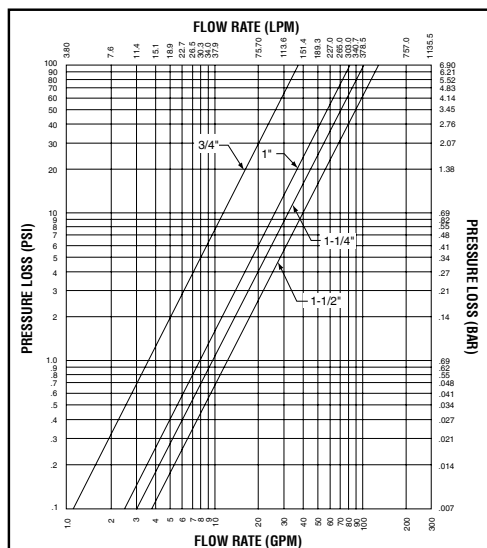
Snap-tite's heavy duty 78 Series Thread-to-Connect Couplings are designed for most industrial fluid applications plus they are ideal for hydraulic de-watering pumps, oil well equipment, hydraulic dump trucks and sand and salt spreaders requiring a rugged coupling. The 78 Series dry break features minimal spillage and air inclusion. The couplings connect under full operating pressure. For bulkhead mounting a steel flange is available. The 78 Series offers up to 3,000 psig (207 bar) operating pressure, in both connected and disconnected.

 Snap-tite

TECHNICAL AND DIMENSIONAL INFORMATION



FLOW CHART



PRESSURE RATINGS

SIZE	OPERATING PRESSURE* - BRASS	AIR INCLUSION cc MAXIMUM	SPILLAGE cc MAXIMUM
3/4"	3000	.30	.15
1"	3000	.40	.40
1-1/4"	2750	.65	.65
1-1/2"	2550	.80	.85

*Pressure ratings for connected or disconnected modes. For excessive flow and surge conditions, consult factory before specifying.

HOW TO ORDER

PART NO.	B	78	H	C	12-	12	F
Material	B	78	Sleeve Configuration*	Coupling Half	Coupling Size	End Fitting Size	End Fitting Type
Series	B	78	No Letter for wing nut H Hex Nut *Coupler only	C Coupler N Nipple	12 = 3/4" 16 = 1" 20 = 1-1/4" 24 = 1-1/2"	8 = 1/2" 12 = 3/4" 16 = 1" 20 = 1-1/4" 24 = 1-1/2"	F Female NPTF RP Female British Parallel BS2779
Nipple Flange*	WF	With Flange	*Nipple only				

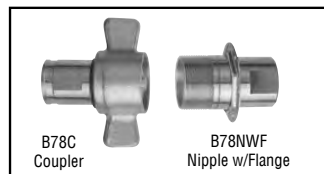
Available in 1/2" Female NPTF only

ACCESSORIES*

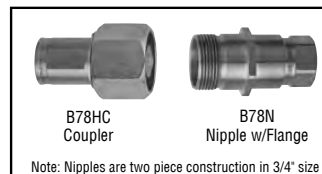
SIZE	PROTECTIVE CAP	PROTECTIVE PLUG	MOUNTING FLANGE
1/4"	78DC-12	78DP-12	78F-12
1"	78DC-16	78DP-16	78F-16
1-1/4"	78DC-20	78DP-20	78F-20
1-1/2"	78DC-24	78DP-24	78F-24

*All accessories are manufactured from carbon steel.

78 SERIES WITH WING NUT ASSEMBLY



78 SERIES WITH HEX NUT ASSEMBLY



! WARNING !

FAILURE OR IMPROPER SELECTION OR IMPROPER USE OF THE PRODUCTS AND/OR SYSTEMS DESCRIBED HEREIN OR RELATED ITEMS CAN CAUSE DEATH, PERSONAL INJURY AND/OR PROPERTY DAMAGE.

This document and other information from Snap-tite, Inc., its subsidiaries and authorized distributors, provides product and/or system options for further investigation by users having technical expertise. It is important that you analyze all aspects of your application and review the information concerning the product or system in the current product catalog. Due to the variety of operation conditions and applications for these products or systems, the user, through its own analysis and testing, is solely responsible for making the final selection of the products and systems and assuring that all performance, safety and warning requirements of the application are met.

The products described herein, including without limitation, product features, specifications, designs, availability and pricing, are subject to change by Snap-tite, Inc. and its subsidiaries at any time without notice.



Quick Disconnect & Valve Division
 201 Titusville Road
 Union City, Pennsylvania 16438-8699 USA
 Ph: 814-438-3821 Fax: 814-438-3069
 e-mail: qd&v_sales@snap-tite.com
 www.snap-tite.com



Industrial Estate
 Whitemill - Wexford
 Republic of Ireland
 Ph: 353 53 914 1566 Fax: 353 53 914 1582
 e-mail: ste_sales@snap-tite.com
 www.snap-tite.com

ISO-9001 Certified

01-0016BE-0410

Snap-tite H, IH & PH Series

General Purpose Hydraulic and Pneumatic Quick Couplings



Many Standard Configurations Suitable for Hydraulic and Pneumatic Applications:

Snap-tite H Series couplings have been proven by years of use on hydraulic and pneumatic applications.

H Series is best suited for general purpose fluid applications where either single or double shut-off valving is desired. A wide range of sizes, materials and end configurations are available.

PH version couplers and nipples are valved with a connect-under-pressure feature. These steel couplers and nipples allow connection with H Series valved couplers and nipples when there is residual pressure on the PH coupler/nipple side.

IH version couplers are steel with a cylindrical valve designed specifically for pneumatic use. When paired with an unvalved/plain H Series nipple, it functions as a durable single-shut-off connection.



Contact Information: H Series Features:

Parker Hannifin Corporation
Quick Coupling Division
 8145 Lewis Road
 Minneapolis, MN 55427

phone 763 544 7781
 fax 763 544 3418
 qcd_sales@parker.com

www.parker.com/quickcouplings

- Sizes 1/4"-4"
- Available in steel, brass, aluminum and 316 stainless steel
- Seal material options available
- Optional sleeve lock helps to prevent accidental disconnection
- Double-shut-off version has low pressure drop
- Manually operated sleeve provides secure connection



ENGINEERING YOUR SUCCESS.

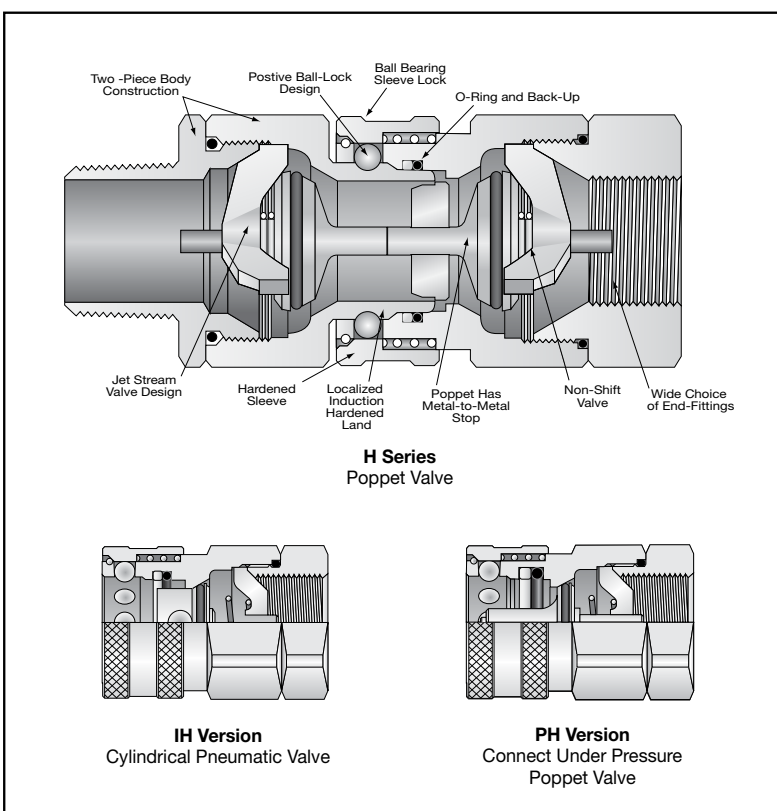
Technical and Dimensional Information

H Series couplings are suitable for general purpose applications and a variety of media. They are very versatile in material, size and end configuration. Valve combinations include:

- Double shut-off poppet valves
- Single shut-off on the coupler or nipple side
- Straight through (unvalved/plain)

PH version couplers and nipples make it possible to overcome the high connection force caused by residual pressure. The poppet valves have an added pressure relief feature to allow connection under static pressures up to 3000 psi (210 bar). With a PH Series coupler or nipple installed on the pressurized line you can easily connect with a mating valved H Series. Available in steel, sizes 3/8", 1/2", 3/4" and 1".

IH version couplers have a cylindrical valve designed specifically for pneumatic systems and reciprocating, pulsating, rotary motion air tools. The IH valve provides 360° contact when connected with an unvalved/plain H Series nipple, enabling efficient operation and long life. Available in steel, sizes 1/4", 3/8", 1/2" and 3/4".

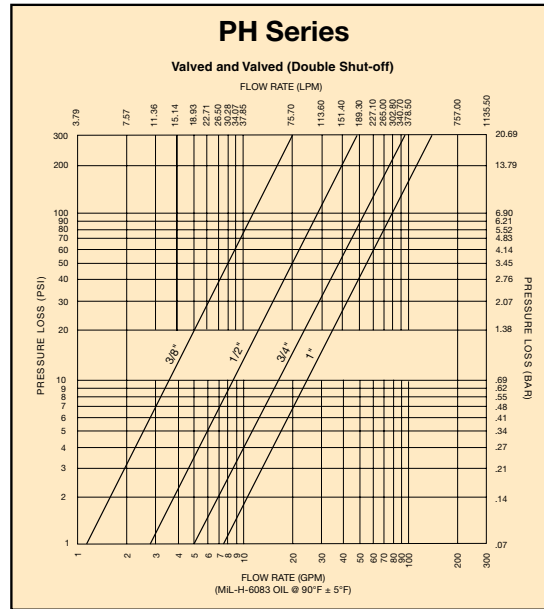
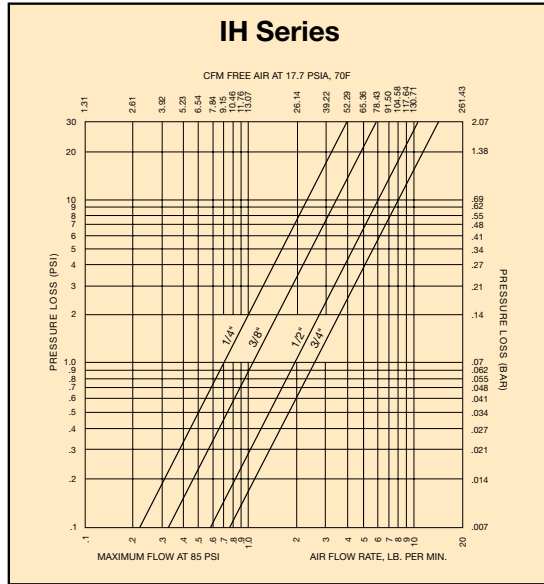
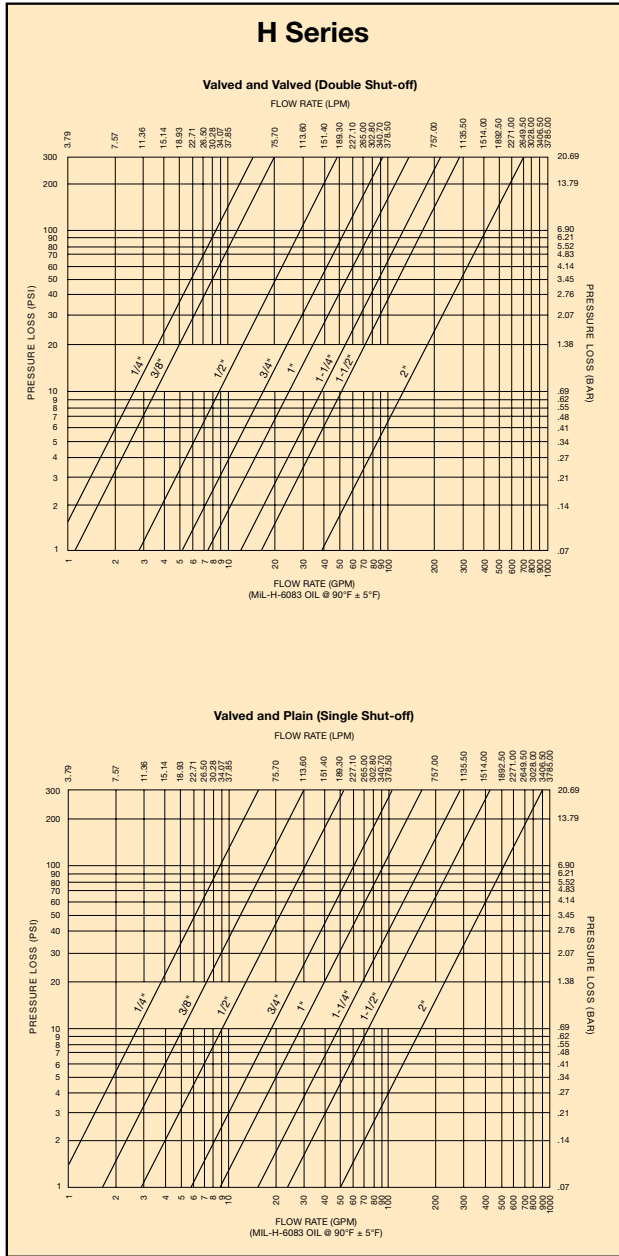


Working Pressures

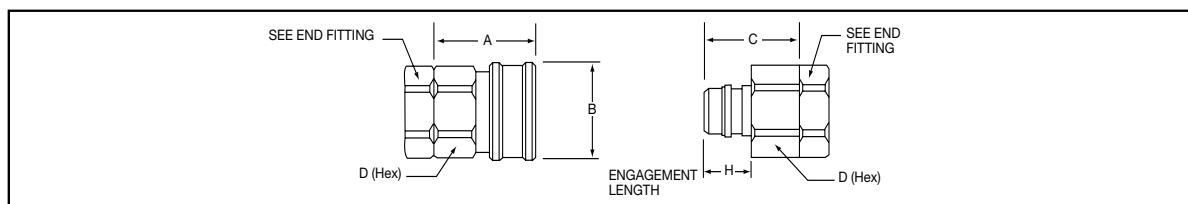
Size	Valved on both coupler and nipple (Double Shut-off) Valved on one half and Unvalved/Plain on other half (Single Shut-off)								Unvalved/Plain on both coupler and nipple (Straight Through)							
	Steel		Aluminum		Brass		Stainless Steel		Steel		Aluminum		Brass		Stainless Steel	
	psi	bar	psi	bar	psi	bar	psi	bar	psi	bar	psi	bar	psi	bar	psi	bar
1/4"	6500	448	2250	155	2250	155	5000	345	11000	759	4000	276	4000	276	10000	690
3/8"	4500	310	2250	155	2250	155	4000	276	11000	759	4000	276	4000	276	8000	552
1/2"	4000	276	1750	121	2000	138	3750	259	11000	759	4000	276	4000	276	8000	552
3/4"	3500	241	1750	121	2000	138	2000	138	9000	621	3500	241	3500	241	7000	483
1"	2000	138	1500	103	1750	121	2000	138	6000	414	3000	207	3000	207	4000	276
1-1/4"	1750	121	375	26	350	24	1500	103	5000	345	1000	69	1000	69	3000	207
1-1/2"	1500	103	375	26	350	24	1500	103	5000	345	1000	69	1000	69	3000	207
2"	1500	103	300	21	400	28	500	34	4000	276	750	52	750	52	1000	69
2-1/2"	1000	69	300	21	400	28	400	28	1000	69	300	21	400	28	400	28
3"	750	52	200	14	200	14	400	28	750	52	200	14	200	14	400	28
4"	500	34	150	10	150	10	300	21	500	34	150	10	150	10	300	21

NOTE: Pressure ratings were established under static pressure conditions. Therefore, pressure ratings for any given flow, pressure surge and/or vibration may vary from these ratings. Burst pressures listed were taken at the point at which failure rendered the quick disconnect inoperative. (Proof pressure equals 1-1/2 times the working pressure; burst pressure equals 2 times working pressure.)

Flow Charts

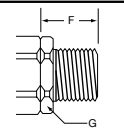
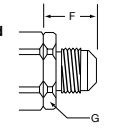
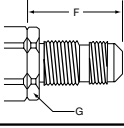
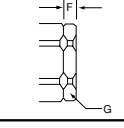
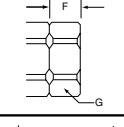
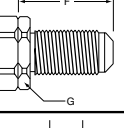
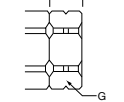


Valved Coupler and Nipple Dimensions (without end fitting)



Size	1/4"	3/8"	1/2"	3/4"	1"	1-1/4"	1-1/2"	2"	2-1/2"	3"	4"	
A	in	1.34	1.50	1.62	1.92	2.07	2.28	2.57	3.14	3.63	3.88	4.58
	mm	34.04	38.10	41.15	48.77	52.58	57.91	65.28	79.76	92.20	98.55	116.33
B	in	1.00	1.19	1.39	1.63	2.00	2.19	2.75	3.50	4.50	5.45	6.75
	mm	25.40	30.23	35.31	41.40	50.80	55.63	69.85	88.90	114.30	138.13	171.45
C	in	1.28	1.44	1.51	1.79	1.95	2.15	2.41	2.94	3.42	3.79	4.47
	mm	32.51	36.58	38.35	45.47	49.53	54.61	61.21	74.68	86.87	96.27	113.54
D*2	in	.88	1.00	1.19	1.50	1.88	2.00	2.75	3.75	4.50	4.75	6.75
	mm	22.35	25.40	30.23	38.10	47.75	50.80	69.85	95.25	114.30	120.65	171.45
H	in	.58	.71	.72	.88	.91	.90	1.06	1.32	1.41	1.56	1.93
	mm	14.73	18.03	18.29	22.35	23.11	22.86	26.92	33.53	35.81	39.62	49.02

Valved Coupler and Nipple End Fitting Dimensions

	Size	1/4"	3/8"	1/2"	3/4"	1"	1-1/4"	1-1/2"	2"	2-1/2"	3"	4"	
Male Tapered Pipe 	F	in	.75	.69	.95	.96	1.14	1.31	1.44	1.40	1.83	1.88	2.88
		mm	19.05	17.53	24.13	24.38	28.96	33.27	36.58	35.56	46.48	47.75	73.15
	G*1	in	.88	1.00	1.19	1.50	1.88	2.00	2.50	3.38	4.00	4.75	6.00
		mm	22.35	25.40	30.23	38.10	47.75	50.80	63.50	88.90	101.60	120.65	152.40
EM Male SAE Flared and MS33656 	F	in	.74	.74	.84	1.13	1.16	1.27	1.46	1.71			
		mm	18.80	18.80	21.34	28.70	29.46	32.26	37.08	43.43			
	G*1	in	.88	1.00	1.19	1.50	1.88	2.00	2.50	3.38			
		mm	22.35	33.27	30.23	38.10	47.75	50.80	63.50	88.90			
MS33657 	F	in	1.23	1.31	1.47	1.84	1.84	1.95					
		mm	31.31	33.27	37.34	46.74	46.74	49.53					
	G*1	in	.88	1.00	1.19	1.50	1.88	2.00					
		mm	22.35	25.40	30.23	38.10	47.75	50.80					
Female Tapered Pipe 	F	in	.31	.40	.47	.50	.60	1.26	.70	.78	.90	.88	1.13
		mm	7.87	10.16	11.94	12.70	15.24	32.00	17.78	19.81	22.86	22.35	28.70
	G*1	in	.88	1.00	1.19	1.50	1.88	2.00	2.50	3.50	4.00	4.75	6.00
		mm	22.35	25.40	30.23	38.10	47.75	50.80	63.50	88.90	101.60	120.65	152.40
EF Female Straight and MS33649 	F	in	.46	.70	.57	1.00	.87	1.11	.85	1.01			
		mm	11.68	17.78	14.48	25.40	22.10	28.19	21.59	25.65			
	G*1	in	.88	1.00	1.19	1.50	1.88	2.00	2.50	3.50			
		mm	22.35	25.40	30.23	38.10	47.75	50.80	63.50	88.90			
EB Male SAE Bulk-Head 	F	in	1.39	1.56	1.67	2.03	1.84	2.14					
		mm	35.30	39.62	42.42	51.56	46.74	54.36					
	G*1	in	.88	1.00	1.19	1.50	1.88	2.00					
		mm	22.35	25.40	30.23	38.10	47.75	50.80					
Female RP* British Parallel 	F	in	.39	.40	.53	.56	.60	1.26	.70	.78	.90	.88	1.13
		mm	9.91	10.16	13.46	14.22	15.24	32.00	17.78	19.81	22.86	22.35	28.70
	G*1	in	.88	1.00	1.19	1.50	1.88	2.00	2.50	3.50	4.00	4.75	6.00
		mm	22.35	25.40	30.23	38.10	47.75	50.80	63.50	88.90	101.60	120.65	152.40

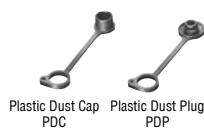
Unvalved/Plain Coupler and Nipple End Configurations

		Female Pipe Thread				Female RP British Parallel Thread				Male Pipe Thread			
Size		1/4"	3/8"	1/2"	3/4"	1"	1-1/4"	1-1/2"	2"	2-1/2"	3"	4"	
A	in	1.34	1.50	1.62	1.91	2.07	2.28	2.57	2.48	3.11	3.35	3.88	
	mm	34.04	38.10	41.15	48.51	52.58	57.91	65.28	62.99	78.99	85.09	98.55	
B	in	1.00	1.19	1.39	1.63	2.00	2.19	2.75	3.50	4.50	5.45	6.75	
	mm	25.40	30.23	35.31	41.40	50.80	55.63	69.85	88.90	114.30	138.43	171.45	
C	in	1.32	1.52	1.72	1.92	2.10	2.22	2.44	2.60	2.95	3.40	3.73	
	mm	33.53	38.61	43.69	48.77	53.34	56.39	61.98	66.04	74.93	86.36	94.74	
D ^{*1}	in	.88	1.00	1.19	1.50	1.88	2.00	2.50	3.25	3.75	4.75	5.50	
	mm	22.35	25.40	30.23	38.10	47.75	50.80	63.50	82.55	95.25	120.65	139.70	
E ^{*1,2}	in	.63	.81	1.00	1.19	1.50	1.88	2.13	2.75	3.25	4.00	5.00	
	mm	16.00	20.57	25.40	30.23	38.10	47.75	54.10	69.85	82.55	101.60	127.00	
H	in	.58	.71	.72	.88	.91	.90	1.06	1.32	1.41	1.56	1.93	
	mm	14.73	18.03	18.29	22.35	23.11	22.86	26.92	33.53	35.81	39.62	49.02	
K	in	.78	.98	1.01	1.14	1.16	1.17	1.34	2.03	2.08	2.59	2.58	
	mm	19.81	24.89	25.65	28.96	29.46	29.72	34.04	51.56	52.83	65.79	65.53	
J ^{*1}	in	.56	.69	.88	1.06	1.38	1.88	2.13	2.50	3.25	4.00	5.00	
	mm	14.22	17.53	22.35	26.92	35.05	47.75	54.10	63.50	82.55	101.60	127.00	
L	in	1.27	1.44	1.72	1.86	2.13	2.22	2.44	2.60	2.95	3.40	3.73	
	mm	32.26	36.58	43.69	47.24	54.10	56.39	61.98	66.04	74.93	86.36	94.74	

NOTES: ^{*1} Dimensions taken across the hex flats. Round stock with two milled flats may be substituted for hex stock. Dimensions across flats same as dimensions across hex flats. Max O.D. of round stock will not exceed the dimensions across the points of the hex stock. Valve coupler and nipple bodies may be supplied from round bar stock without wrench flats.

^{*2} Notch on hex indicates RP British parallel threads.

Accessories



Plastic Dust Cap PDC Plastic Dust Plug PDP

Dust caps, dust plugs and pressure caps protect disconnected couplers and nipples from damage, dirt and other contaminants. Dust caps and dust plugs are available in plastic and clear anodized aluminum.

Plastic Cap and Plug

Designed with a loop to fit over fitting or affixing to equipment with a sheet metal screw. Available in sizes 1/4" thru 1".



Metal Dust Plug AMPH Metal Dust Cap ADCH

Aluminum Dust Caps and Plugs

Aluminum dust caps and plugs are available in sizes 1/4" thru 3". The 1/4" thru 3/4" sizes come with 10" chrome plated brass bead chain. The 1" and above come with steel zinc plated sash chain.

Pressure Caps

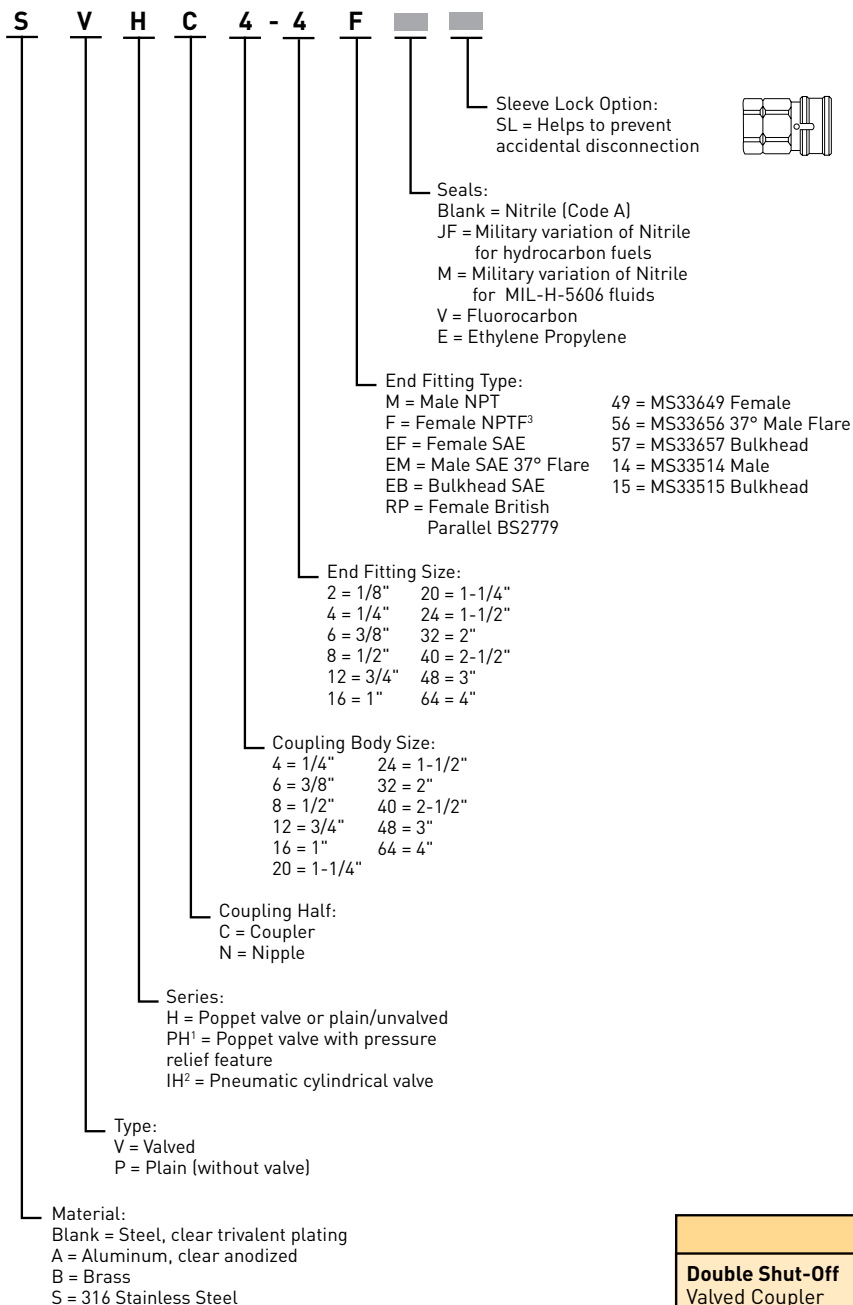
Pressure-tight pressure caps for nipples are standard in steel, Trivalent plated. Other materials such as brass, aluminum and stainless steel available on special order. Sizes available 1/4" thru 3". Sizes 1/4" thru 3/4" come with 10" length of corrosion resistant steel cable. Sizes 1" thru 3" come with 12" of cable-all with adjustable loop at end of cable. Consult QCD for special lengths.



Metal Pressure Cap MCH

Sizes	Plastic Cap	Plastic Plug	Aluminum Plug	Aluminum Cap	Pressure Cap
1/4"	PDC-4	PDP-4	AMPH-4	ADCH-4	MCH-4
3/8"	PDC-6	PDP-6	AMPH-6	ADCH-6	MCH-6
1/2"	PDC-8	PDP-8	AMPH-8	ADCH-8	MCH-8
3/4"	PDC-12	PDP-12	AMPH-12	ADCH-12	MCH-12
1"	PDC-16	PDP-16	AMPH-16	ADCH-16	MCH-16
1-1/4"			AMPH-20	ADCH-20	MCH-20
1-1/2"			AMPH-24	ADCH-24	MCH-24
2"			AMPH-32	ADCH-32	MCH-32
2-1/2"			AMPH-40	ADCH-40	MCH-40
3"			AMPH-48	ADCH-48	MCH-48

Ordering Information



¹PH Valve option recommended on one side, not both. Available in steel only.

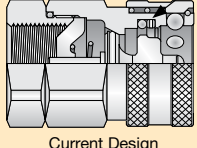
²IH available in steel only.

³For sizes up to 1" NPTF threads in steel.
For sizes up to 1" NPSF threads in stainless steel.
For sizes over 1" NPT threads.

Note: Not all configurations are standard product offering.
Contact QCD for price and delivery.

	H	PH	IH
Double Shut-Off Valved Coupler Valved Nipple	•	•	
Single Shut-Off Valved Coupler Unvalved/Plain Nipple	•		•
Straight Through Unvalved/Plain Coupler Unvalved/Plain Nipple	•		

Replacement Parts

Valve Kits	Valve Seals	Coupler Interface Seals
<p>Includes valve, valve spring and stop. Valve seal is included in sizes 3/8" thru 1" in steel, brass and aluminum only.</p> <p>Part Number – Use the base part number followed by SPK.</p> <p>Example: VHC4-SPK VHC6-SPK</p>	<p>1/4" valve seal is staked in the coupler and nipple bodies in all materials and is not considered field repairable. 3/8" and above are available for repair.</p> <p>Part Number – "H (size)-55 (seal material)"</p> <p>Example: H6-55A* H8-55A*</p>	<p>Includes O-ring and back-up ring. Part Number "H (size)-56-9 (seal material)".</p> <p>Example: H6-56-9A*</p>  <p>Previous design was U-Packer. Consult QCD for availability.</p>

*"A" required for Nitrile Seal Kits. Refer to the part number code for other seal options.

Standard Configurations for General Purpose Hydraulic and Pneumatic Applications

	H Series Hydraulic Coupler/Nipple	PH Series Hydraulic Coupler/Nipple	IH Series Pneumatic Coupler
Valve Styles:	<ul style="list-style-type: none"> • Poppet Valve • Unvalved/Plain 	<ul style="list-style-type: none"> • Connect-Under-Pressure Poppet Valve 	<ul style="list-style-type: none"> • Cylindrical Valve
Connection Types:	<ul style="list-style-type: none"> • Double Shut-off • Single Shut-off • Straight Through/Unvalved 	<ul style="list-style-type: none"> • Double Shut-off (connects with valved H Series Coupler or Nipple) 	<ul style="list-style-type: none"> • Single Shut-off (connects with unvalved/plain H Series Nipple)
Body Sizes:	1/4" - 4"	3/8" - 1"	1/4" - 3/4"
Materials:	<ul style="list-style-type: none"> • Steel • 316 Stainless Steel • Aluminum • Brass 	<ul style="list-style-type: none"> • Steel 	<ul style="list-style-type: none"> • Steel



ENGINEERING YOUR SUCCESS.

 **Snap-Tite**

General
Purpose &
Vacuum
Couplings

EA&E
SERIES



★ Snap-tite EA, E Series - General Purpose & Vacuum Couplings

Featuring...Snap-tite quality with superior pressure and flow characteristics over the competition.

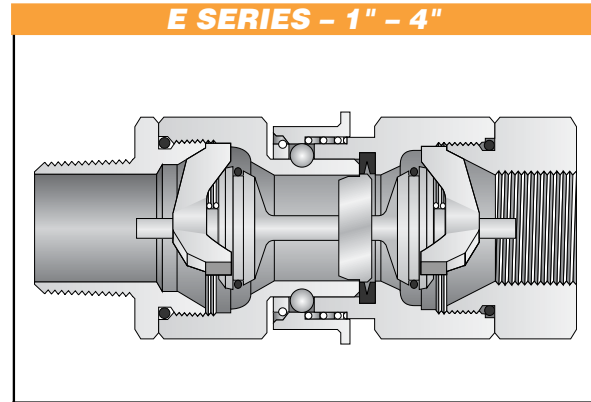
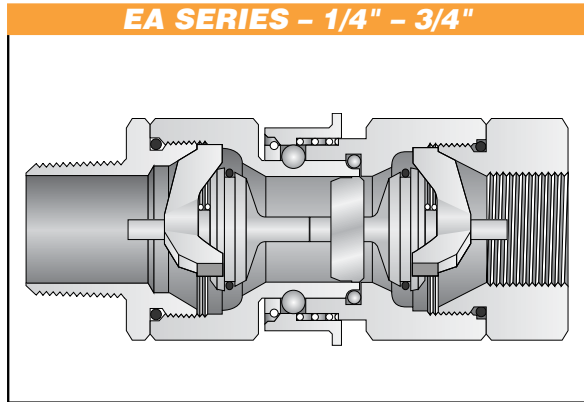


Snap-tite's EA Series quick disconnect coupling is designed specifically for vacuum and medium pressure service, providing a dependable means for speeding fluid line changeover in autoclave applications ranging from aircraft fabrication to plastic molding.

Snap-tite's E Series quick disconnect couplings have been proven by years of use on hydraulic and pneumatic applications as well as many other liquids and gases. They are designed and manufactured for years of reliable service.

- **Sizes** — EA Series: 1/4", 3/8", 1/2", 3/4"
E Series: 1", 1-1/4", 1-1/2", 2", 3", 4"
- **Metals** — EA and E Series are available in four metals – Zinc Trivalent Chromate Plated steel, brass, aluminum and 316 stainless steel. Please consult factory. A variety of protective finishes are available. Please consult factory.
- **Seal Versatility** — Wide range of standard and special seal materials available.
- **High Temperature Capability in EA Series** — A unique configuration for containing the nipple o-ring seal to affect both a diametrical and compression seal allows the EA Series to handle high temperature and vacuum internally even with an external pressure on the coupling - or the reverse - while maintaining reliability.
- **Smooth Flow** — Snap-tite's "Jet Stream" valve design helps maintain a clean linear flow. Positive positioning of the valve aids in maintaining a steady, even flow under normal working conditions.
- **Vacuum Capability** — Dependable service down to 29.72"Hg.
- **Dependable Operation** — Ball-lock mechanism provides positive connection while two piece construction allows for end fitting versatility.
- **Sleeve Lock** — Sleeve lock option aids in preventing accidental disconnection of the coupling.

Conforms with ROHS and WEEE European Union Directives



PRESSURE RATINGS*
Valved & Valved, Valved & Plain and Plain & Plain Couplings

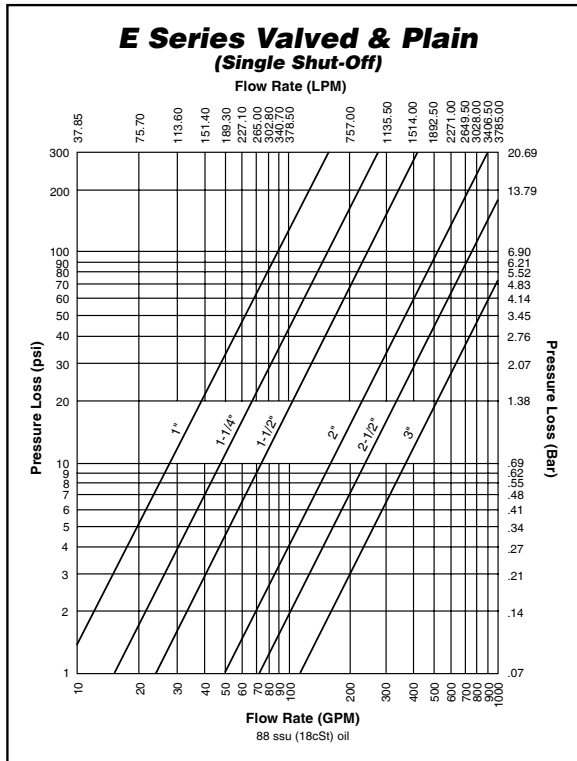
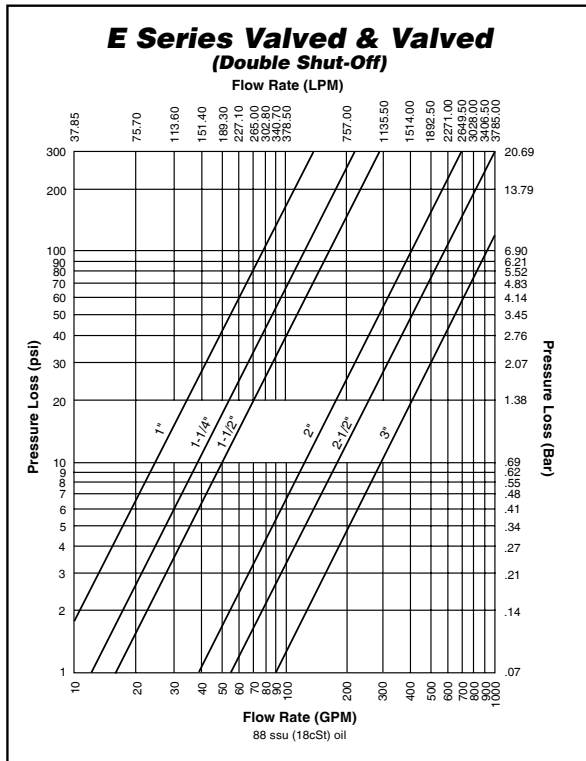
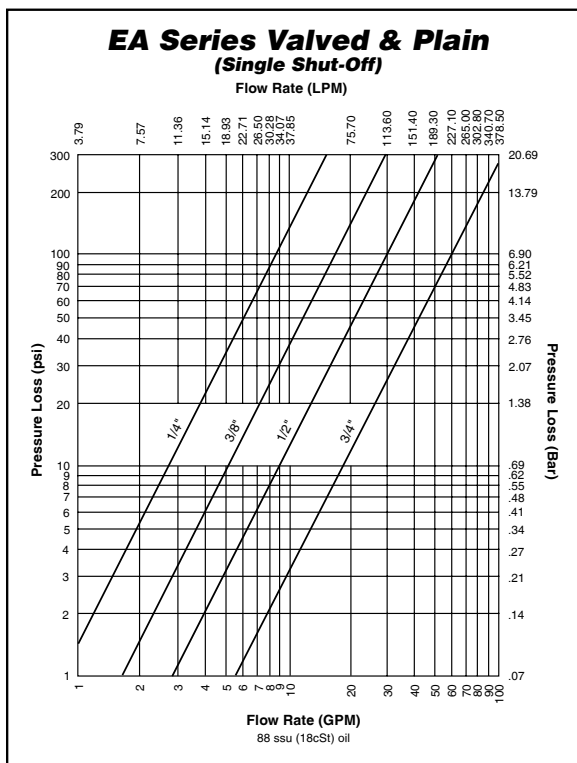
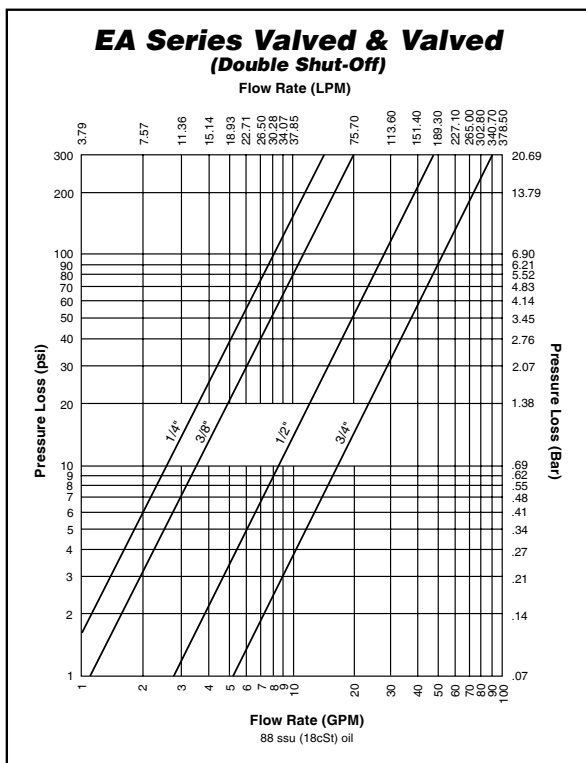
SIZE	STEEL				STAINLESS STEEL				BRASS				ALUMINUM			
	Maximum Working		Minimum Burst		Maximum Working		Minimum Burst		Maximum Working		Minimum Burst		Maximum Working		Minimum Burst	
	PSI	BAR	PSI	BAR	PSI	BAR	PSI	BAR	PSI	BAR	PSI	BAR	PSI	BAR	PSI	BAR
1/4"	3,000	207	6,000	414	3,000	207	6,000	414	1,500	103	3,000	207	1,500	103	3,000	207
3/8"	3,000	207	6,000	414	3,000	207	6,000	414	1,500	103	3,000	207	1,500	103	3,000	207
1/2"	3,000	207	6,000	414	3,000	207	6,000	414	1,500	103	3,000	207	1,500	103	3,000	207
3/4"	2,000	138	4,000	276	2,000	138	4,000	276	1,500	103	3,000	207	1,500	103	3,000	207
1"	1,500	103	3,000	207	1,000	69	2,000	138	500	34	1,000	69	500	34	1,000	69
1-1/4"	1,000	69	2,000	138	750	52	1,500	103	300	21	600	41	300	21	600	41
1-1/2"	1,000	69	2,000	138	750	52	1,500	103	300	21	600	41	300	21	600	41
2"	750	52	1,500	103	500	34	1,000	69	300	21	600	41	300	21	600	41
2-1/2"	500	34	1,000	69	400	28	800	55	300	21	600	41	300	21	600	41
3"	500	34	1,000	69	300	21	600	41	200	14	400	28	200	14	400	28
4"	500	34	1,000	69	200	14	400	28	150	10	300	21	150	10	300	21

*Note: Pressure ratings were established under static pressure conditions. Therefore, pressure ratings for any given flow, pressure surge, and/or vibration may vary from those ratings.

VACUUM CAPABILITY AT STANDARD BAROMETRIC CONDITIONS

	EA SERIES								E SERIES							
	1/4"		3/8"		1/2"		3/4"		1"		1-1/4"		1-1/2"		2"	
	IN.HG	ATM	IN.HG	ATM	IN.HG	ATM	IN.HG	ATM	IN.HG	ATM	IN.HG	ATM	IN.HG	ATM	IN.HG	ATM
CONNECTED	29.7	.99	29.7	.99	29.7	.99	29.7	.99	29.7	.99	28.0	.94	27.0	.90	26.0	.87
COUPLER OR NIPPLE ALONE (DISCONNECTED)	29.7	.99	29.7	.99	29.7	.99	29.7	.99	20.5	.69	12.0	.40	4.2	.14	4.5	.15

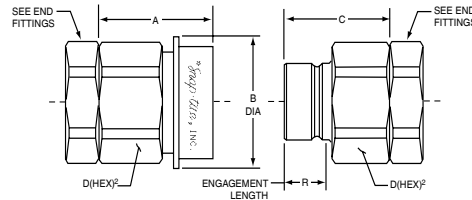
FLOW CHARTS



COUPLING COMBINATIONS & END FITTINGS

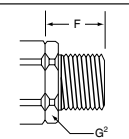
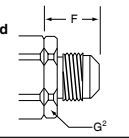
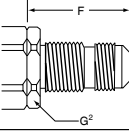
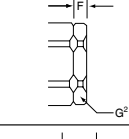
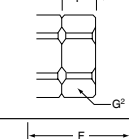
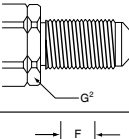
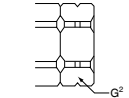
1. Double shut-off coupling: Valve coupler and valve nipple
 2. Single shut-off coupling: Valve coupler and plain nipple
 3. No shut-off or straight through: Plain coupler and plain nipple. Plain couplers cannot be used with valve nipples.
- All combinations of the same coupling size are interchangeable regardless of material, finish or end fittings.

VALVED

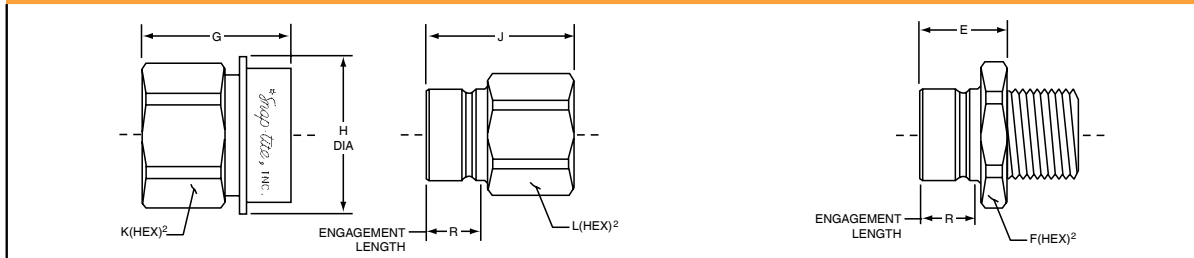


Size		1/4"	3/8"	1/2"	3/4"	1"	1-1/4"	1-1/2"	2"	2-1/2"	3"	4"
A	in	1.34	1.50	1.62	1.91	2.07	2.28	2.57	3.14	3.63	3.88	4.58
	mm	34.04	38.10	41.15	48.51	52.58	57.91	65.28	79.76	92.20	98.55	116.30
B	in	1.13	1.31	1.44	1.88	2.19	2.50	2.88	3.63	4.50	5.45	6.75
	mm	28.70	33.27	36.58	47.80	55.63	63.50	73.15	92.20	114.30	138.40	171.50
C	in	1.30	1.46	1.51	1.79	1.89	2.02	2.25	2.72	3.20	3.58	4.24
	mm	33.02	37.08	38.35	45.47	48.01	51.31	57.15	69.09	81.28	90.90	107.70
D	in	.88	1.00	1.19	1.50	1.88	2.00	2.75	3.75	4.50	5.25	6.75
	mm	22.40	25.40	30.23	38.10	47.75	50.80	69.85	95.25	114.30	133.40	171.45
R	in	.55	.69	.69	.84	.86	.80	.94	1.12	1.23	1.38	1.73
	mm	14.00	17.53	17.53	21.30	21.84	20.30	23.88	28.44	31.24	35.00	44.00

END FITTINGS¹

		Size	1/4"	3/8"	1/2"	3/4"	1"	1-1/4"	1-1/2"	2"	2-1/2"	3"	4"
Male Tapered Pipe 	F	in	.75	.69	.95	.96	1.14	1.31	1.44	1.40	1.83	1.88	2.88
		mm	19.05	17.53	24.13	24.38	28.96	33.27	36.58	35.56	46.48	47.75	73.15
	G²	in	.88	1.00	1.19	1.50	1.88	2.00	2.50	3.50 ³	4.00	4.75	6.00
		mm	22.35	25.40	30.23	38.10	47.75	50.80	63.50	88.90 ³	101.60	120.65	152.40
EM Male SAE Flared and MS33656 	F	in	.74	.74	.84	1.13	1.16	1.27	1.46	1.71			
		mm	18.80	18.80	21.34	28.70	29.46	32.26	37.08	43.43			
	G²	in	.88	1.00	1.19	1.50	1.88	2.00	2.50	3.50 ³			
		mm	22.35	25.40	30.23	38.10	47.75	50.80	63.50	88.90 ³			
MS33657 	F	in	1.23	1.31	1.47	1.84	1.84	1.95					
		mm	31.31	33.27	37.34	46.74	46.74	49.53					
	G²	in	.88	1.00	1.19	1.50	1.88	2.00					
		mm	22.35	25.40	30.23	38.10	47.75	50.80					
Female Tapered Pipe 	F	in	.31	.40	.47	.50	.60	1.26	.70	.78	.90	.88	1.13
		mm	7.87	10.16	11.94	12.70	15.24	32.00	17.78	19.81	22.86	22.35	28.70
	G²	in	.88	1.00	1.19	1.50	1.88	2.00	2.50	3.50	4.00	4.75	6.00
		mm	22.35	25.40	30.23	38.10	47.75	50.80	63.50	88.90	101.60	120.65	152.40
EF Female Straight and MS33649 	F	in	.46	.70	.57	1.00	.87	1.11	.85	1.01			
		mm	11.68	17.78	14.48	25.40	22.10	28.19	21.59	25.65			
	G²	in	.88	1.00	1.19	1.50	1.88	2.00	2.50	3.50			
		mm	22.35	25.40	30.23	38.10	47.75	50.80	63.50	88.90			
EB Male SAE Bulk-Head 	F	in	1.39	1.56	1.67	2.03	1.84	2.14					
		mm	35.30	39.62	42.42	51.56	46.74	54.36					
	G²	in	.88	1.00	1.19	1.50	1.88	2.00					
		mm	22.35	25.40	30.23	38.10	47.75	50.80					
Female RP² British Parallel 	F	in	.39	.40	.53	.56	.60	1.26	.70	.78	.90	.89	1.13
		mm	9.91	10.16	13.46	14.22	15.24	32.00	17.78	19.81	22.86	22.35	28.70
	G²	in	.88	1.00	1.19	1.50	1.88	2.00	2.50	3.50	4.00	4.75	6.00
		mm	22.35	25.40	30.23	38.10	47.75	50.80	63.50	88.90	101.60	120.65	152.40

PLAIN FEMALE PIPE & PLAIN FEMALE RP PLAIN MALE PIPE



Size		1/4"	3/8"	1/2"	3/4"	1"	1-1/4"	1-1/2"	2"	2-1/2"	3"	4"
E	in	.87	.91	.88	1.05	1.02	.98	1.19	1.40	1.85	2.37	2.29
	mm	22.10	23.10	22.40	26.70	25.91	24.90	30.20	35.56	46.99	60.20	58.20
F	in	.56	.69	.88	1.06	1.38	1.88	2.13	2.50	3.25	4.00	5.00
	mm	14.20	17.53	22.40	26.90	35.05	47.80	54.10	63.50	82.55	101.60	127.00
G	in	1.34	1.53	1.72	1.91	2.07	2.28	2.57	2.67	3.21	3.35	3.88
	mm	34.04	38.86	43.69	48.50	52.60	57.90	65.30	67.82	81.50	85.10	98.60
H	in	1.13	1.31	1.44	1.88	2.19	2.50	2.88	3.63	4.50	5.45	6.75
	mm	28.70	33.27	36.58	47.70	55.63	63.50	73.15	92.20	114.30	138.40	171.50
J	in	1.33	1.58	1.70	2.05	2.04	2.12	2.23	2.35	2.88	3.19	3.50
	mm	33.78	40.13	43.18	52.07	51.82	53.85	56.64	59.69	73.20	81.03	88.90
K	in	.88	1.00	1.19	1.50	1.88	2.00	2.50	3.25	3.75	4.75	5.50
	mm	22.40	25.40	30.23	38.10	47.80	50.80	63.50	82.60	95.30	120.70	139.70
L	in	.63	.81	1.00	1.19	1.50	1.88	2.13	2.75	3.25	4.00	5.00
	mm	16.00	20.60	25.40	30.20	38.10	47.80	54.10	69.85	82.60	101.60	127.00
R	in	.55	.69	.69	.84	.86	.80	.94	1.12	1.23	1.38	1.73
	mm	14.00	17.53	17.53	21.30	21.84	20.30	23.88	28.44	31.24	35.00	44.00

¹ Other special end fittings available upon request.

² Dimensions taken across the hex flats. Round stock with two milled flats may be substituted for hex stock. Dimensions across flats same as dimensions across hex flats. Max O.D. of round stock will not exceed the dimensions across the points of the hex stock. Valve coupler and nipple bodies may be supplied from round bar stock without wrench flats.

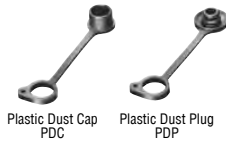
³ 3.5" (88.9 mm) across hex flats - may substitute 3.75" (95.25 mm) round with 3.38" (85.85 mm) across wrench flats.

⁴ Notch on Hex indicates RP British parallel threads.

		FORCE TO CONNECT Valved & Valved		SPILLAGE ON DISCONNECT Valved & Valved	
Series	Size	Internal Pressure psig (bar)	Force to Connect lbs. (kg)	With 10 psi Internal Pressure (cc or ml)	With 50 psi Internal Pressure (cc or ml)
EA	1/4"	200 (15)	50 (22.7)	1.2	1.5
EA	3/8"	200 (15)	60 (27.2)	1.4	2.5
EA	1/2"	200 (15)	95 (43.1)	4.2	4.6
EA	3/4"	100 (10)	95 (43.1)	10.5	11.6
E	1"	100 (10)	145 (65.8)	19.6	21.4
E	1-1/4"	100 (10)	190 (86.2)	30.8	38.6
E	1-1/2"	50 (5)	150 (68.0)	55.2	59.3
E	2"	50 (5)	245 (111.2)	85.3	96.5
E	2-1/2"	50 (5)	425 (192.8)	172.0	251.0
E	3"	50 (5)	560 (254.0)	262.0	286.0
E	4"	2 (0)	45 (20.4)		

ACCESSORIES

Dust caps, dust plugs and pressure caps protect disconnected coupler and nipple from damage, dirt and other contaminants. Dust caps and dust plugs are available in plastic and clear anodized aluminum.



Plastic Caps and Plugs

Inexpensive means to protect your investment against contamination and damage. Comes with a loop to fit over pipe fitting or affixing to equipment with sheet metal screw. Available in sizes 1/4" thru 1".



Aluminum Dust Caps and Plugs

Alternate method to protect your equipment – aluminum dust caps and plugs are available in sizes 1/4" thru 3". The 1/4" thru 3/4" sizes come with 10" chrome plated brass bead chain. The 1" and above come with steel zinc plated sash chain.



Pressure Caps

Pressure-tight pressure caps for nipples are standard in steel, zinc yellow dichromate plated. Other materials such as brass, aluminum and stainless steel available on special order. Sizes available 1/4" thru 3". Sizes 1/4" thru 3/4" come with 10" length of corrosion resistant steel cable. Sizes 1" thru 3" come with 12" of cable-all with adjustable loop at end of cable. Consult factory for special lengths and part number.

SIZES	PLASTIC PLUG	PLASTIC CAP	ALUMINUM PLUG	ALUMINUM CAP	PRESSURE CAP
1/4"	PDP-4	PDC-4	AMPE-4	ADCE-4	MCE-4
3/8"	PDP-6	PDC-6	AMPE-6	ADCE-6	MCE-6
1/2"	PDP-8	PDC-8	AMPE-8	ADCE-8	MCE-8
3/4"	PDP-12	PDC-12	AMPE-12	ADCE-12	MCE-12
1"	PDP-16	PDC-16	AMPE-16	ADCE-16	MCE-16
1-1/4"			AMPE-20	ADCE-20	MCE-20
1-1/2"			AMPE-24	ADCE-24	MCE-24
2"			AMPE-32	ADCE-32	MCE-32
2-1/2"			AMPE-40	ADCE-40	MCE-40
3"			AMPE-48	ADCE-48	MCE-48

SPARE PARTS

Snap-tite Quick Disconnect Couplings are designed for long, trouble-free life. Upon occasion, certain parts may get damaged and need to be ordered.

Valve Kits (Includes valve, valve spring and stop. Valve seal is included in sizes 3/8" thru 1" in steel, brass and aluminum only).

Part Number – Use the base part number followed by SPK **Example:** VEAC4-SPK
BVEC16-SPK

Valve Seals (1/4" valve seal is staked in the coupler and nipple bodies in all materials and is not considered field repairable. 3/8" and above are available for repair).

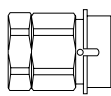
Part Number – (EA or E) (size)-55" **Example:** EA8-55
E16-55V

Nipple Seals (O-ring for EA Series, butt seal for E Series).

Part Number – (EA or E) (size)-58" **Example:** EA6-58
E16-58

For other available spare parts, consult factory.

HOW TO ORDER

Material	Body Type	Series	Coupling Half	Coupling Size	End Fitting Size	End Fitting Type	Seal Material	Sleeve Lock
No letter Steel, plated A Aluminum clear anodized B Brass S Stainless Steel 316	V Valve P Plain (without valve)	EA (1/4"- 3/4") E (1" - 4")	C Coupler N Nipple	4 = 1/4" 6 = 3/8" 8 = 1/2" 12 = 3/4" 16 = 1" 20 = 1-1/4" 24 = 1-1/2" 32 = 2" 40 = 2-1/2" 48 = 3" 64 = 4"	2 = 1/8" 4 = 1/4" 6 = 3/8" 8 = 1/2" 10 = 5/8" 12 = 3/4" 16 = 1" 20 = 1-1/4" 24 = 1-1/2" 32 = 2" 40 = 2-1/2" 48 = 3" 64 = 4"	(see page 5) M Male NPT F Female NPTF ¹ EF Female SAE EM Male SAE 37° Flare EB Bulkhead SAE RP Female British Parallel BS2779 -49 MS33649 Female -56 MS33656 37° Male Flare -57 MS33657 Bulkhead -14 MS33514 Male -15 MS33515 Bulkhead	No letter for Buna N (Code A) 40° to 200°F -40° to 93°C JF Military variation of Buna N for hydrocarbon fuels -65° to 160°F -54° to 71°C M Military variation of Buna N for MIL-H-5606 fluids -65° to 275°F -54° to 135°C V Viton® (DuPont) -20° to 375°F -29° to 190°C E Ethylene pro- pylene rubber -65° to 300°F -54° to 149°C AS Aflas 25° to 450°F -4° to 232° C	SL Aids in preventing accidental disconnection. To disconnect, align the pin in the body with the slot in the sleeve. 

¹ For sizes up to 1" NPTF threads in steel.
For sizes up to 1" NPSF threads in stainless steel.
For sizes over 1" NPT threads.

! WARNING !

FAILURE OR IMPROPER SELECTION OR IMPROPER USE OF THE PRODUCTS AND/OR SYSTEMS DESCRIBED HEREIN OR RELATED ITEMS CAN CAUSE DEATH, PERSONAL INJURY AND PROPERTY DAMAGE.

This document and other information from Snap-tite, Inc., its subsidiaries and authorized distributors provide product and/or system options for further investigation by users having technical expertise. It is important that you analyze all aspects of your application and review the information concerning the product or system in the current product catalog. Due to the variety of operation conditions and applications for these products or systems, the user, through its own analysis and testing, is solely responsible for making the final selection of the products and systems and assuring that all performance, safety and warning requirements of the application are met.

The products described herein, including without limitation, product features, specifications, designs, availability and pricing, are subject to change by Snap-tite, Inc. and its subsidiaries at any time without notice.


Snap-tite
COMPONENTS, INC.

Quick Disconnect & Valve Division
201 Titusville Road
Union City, Pennsylvania 16438-8699 USA
PH: 814-438-3821 FAX: 814-438-3069
e-mail: qd&v_sales@snap-tite.com
www.snap-tite.com

01-0038BE-1203


Snap-tite
EUROPE

Industrial Estate
Whitemill - Wexford
Republic of Ireland
PH: 353 53 914 1566 FAX: 353 53 914 1582
e-mail: ste_sales@snap-tite.com
www.snap-tite.com

DISTRIBUTED BY:

ISO-9001 Certified

 *Snap-tite*

For
Natural &
Propane Gas

GF
SERIES

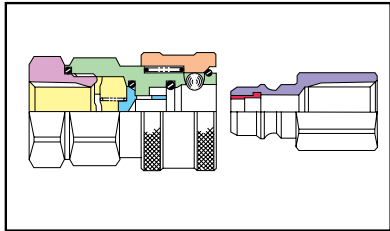


★ Snap-tite GF Series — For Natural & Propane Gas

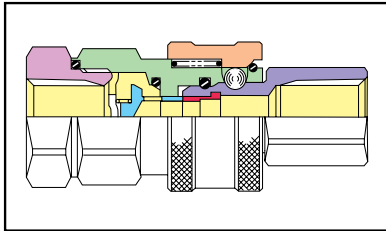


- **Safety** – Valve on coupler half will automatically shut off gas flow instantly when coupling is disconnected and automatically open on connection. Snap-tite's GF Series incorporates a safety fuse in the nipple to automatically shut off the gas supply to your gas appliance once temperatures exceed 350°F (177°C).
- **Size** – Available in sizes 1/4" through 1-1/4".
- **Construction** – GF series couplings are of brass construction.
- **Certified** – Snap-tite GF Series is certified by the Canadian Standards Association to meet ANSI Z21.41-1998 and CSA 6.9-M98 standards. This certification is for use with natural, manufactured and mixed gas, liquified petroleum and LP gas mixtures.
- **Dust caps and plugs** – Plastic dust caps for nipples and dust plugs for couplers are available to keep out dirt and grease when couplings are not in use.

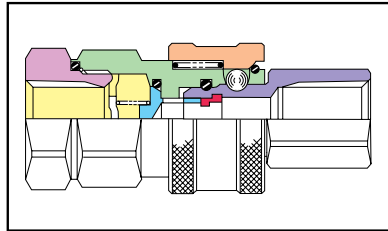
Snap-tite fusible link protects against unwanted gas-fed fires.



Disconnected: Valve in coupler shuts gas off (OD valve should not be the only means to shut gas supply off over an extended period of time. A gas shut-off valve should be installed before the coupler for extended periods).



Connected: Valve opens allowing free flow of gas.



Valve automatically closes when temperature exceeds 350°F (177°C), thus preventing a gas-supported fire.

How to Order

To order, simply give the part number noted below for the size of gas line you will be connecting to. Gas units are sold as sets consisting of a valve coupler and a plain nipple with fusible link.

Size	Coupler	Nipple
1/4"	BVGFC4-4F	BPGFN4-4F
3/8"	BVGFC6-6F	BPGFN6-6F
1/2"	BVGFC8-8F	BPGFN8-8F
3/4"	BVGFC12-12F	BPGFN12-12F
1"	BVGFC16-16F	BPGFN16-16F
1-1/4"	BVGFC20-20F	BPGFN20-20F

Size	Coupler Plug	Nipple Cap
1/4"	PDP-4	PDC-4
3/8"	PDP-6	PDC-6
1/2"	PDP-8	PDC-8
3/4"	PDP-12	PDC-12
1"	N/A	N/A
1-1/4"	N/A	N/A

! WARNING !

FAILURE OR IMPROPER SELECTION OR IMPROPER USE OF THE PRODUCTS AND/OR SYSTEMS DESCRIBED HEREIN OR RELATED ITEMS CAN CAUSE DEATH, PERSONAL INJURY AND PROPERTY DAMAGE.

This document and other information from Snap-tite, Inc., its subsidiaries and authorized distributors provide product and/or system options for further investigation by users having technical expertise. It is important that you analyze all aspects of your application and review the information concerning the product or system in the current product catalog. Due to the variety of operation conditions and applications for these products or systems, the user, through its own analysis and testing, is solely responsible for making the final selection of the products and systems and assuring that all performance, safety and warning requirements of the application are met.

The products described herein, including without limitation, product features, specifications, designs, availability and pricing, are subject to change by Snap-tite, Inc. and its subsidiaries at any time without notice.



Quick Disconnect & Valve Division
 201 Titusville Road
 Union City, Pennsylvania 16438-8699 USA
 PH: 814-438-3821 FAX: 814-438-3069
 e-mail: qd&v_sales@snap-tite.com
 www.snap-tite.com



Industrial Estate
 Whitemill - Wexford
 Republic of Ireland
 PH: 353 53 914 1566 FAX: 353 53 914 1582
 e-mail: ste_sales@snap-tite.com
 www.snap-tite.com

ISO-9001 Certified

01-0002BE-1203



★ Snap-Tite

CHEMICAL COUPLINGS 25 SERIES

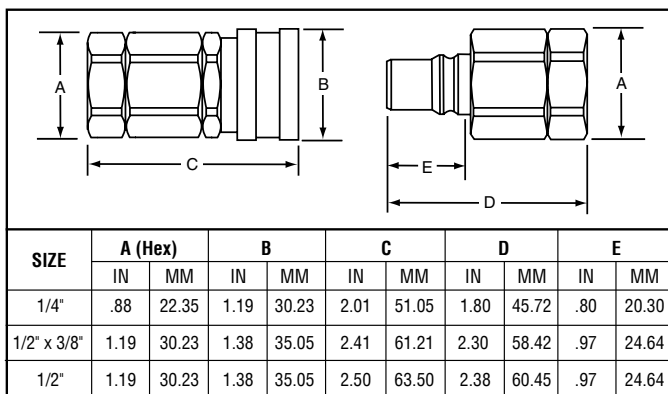
Featuring...
Snap-tite quality with
superior pressure
and flow characteristics
over the competition



- **316 stainless steel construction**
- **Dependable operation**
- **PTFE or Kel F seal available**
- **Sizes 1/4", 1/2" x 3/8" and 1/2"**
- **Safety sleeve lock available**
- **Tubular valve design**
- **Operating pressures to 1000 psi (70 bar)**

25 Series quick disconnects are ideally suited for systems that must come in contact with families of fluids that have widely varying chemical characteristics. Liquids such as aromatic hydrocarbons, alcohols, esters, ketones, ethers, strong caustics, sulfuric acid and hydrofluoric acid as well as many other highly corrosive materials pose no problem for the 25 Series. They may also be used with cryogenic liquids under certain conditions when Kel F seals are specified. This design utilizes a barrel-type valve construction with a seal mounted in the valve to assure equalized valve-seat sealing. A unique lip seal provides a highly reliable seal in the connected position and acts as a wiper when disconnecting.

TECHNICAL AND DIMENSIONAL INFORMATION*



*NOTE: Dimensions and outlines are the same for both valved and plain units.

PRESSURE RATINGS

SIZE	MAXIMUM WORKING		MINIMUM BURST	
	PSI	BAR	PSI	BAR
1/4"	1,000	70	2,000	140
1/2" x 3/8"	1,000	70	2,000	140
1/2"	1,000	70	2,000	140

HOW TO ORDER

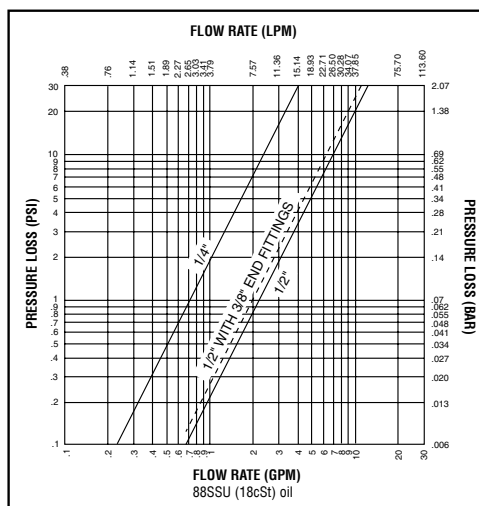
PART NO. S V 25 C 4 - 4 F

Material	Body Type	Series	Coupling Half	Coupling Size	End Fitting Size	End Fitting Type	Seal Material	Sleeve Lock
S Stainless Steel 316	V Valved P** Plain (without valve)	25	C Coupler N Nipple	4 = 1/4" 8 = 1/2"	4 = 1/4" 6 = 3/8" 8 = 1/2"	F Female NPSF M Male NPT RP Female British Parallel BS2779	No letter-PTFE -100°F to 350°F -73°C to 177°C KF* Kel F -400°F to 300°F -240°C to 149°C	SL

*Kel-F seal is installed in coupler only. Mating nipple supplied with PTFE only.

**Valved nipple/plain coupler combination will not activate valving in nipple. Single shut-off should be specified with valving in coupler half.

FLOW CHART - VALVED AND VALVED



ACCESSORIES

SIZE	PRESSURE CAP	DUST CAP	DUST PLUG
1/4"	SPC25-4	SDC25-4	SDP25-4
1/2"	SPC25-8	SDC25-8	SDP25-8

! WARNING !

FAILURE OR IMPROPER SELECTION OR IMPROPER USE OF THE PRODUCTS AND/OR SYSTEMS DESCRIBED HEREIN OR RELATED ITEMS CAN CAUSE DEATH, PERSONAL INJURY AND/OR PROPERTY DAMAGE.

This document and other information from Snap-tite, Inc., its subsidiaries and authorized distributors, provides product and/or system options for further investigation by users having technical expertise. It is important that you analyze all aspects of your application and review the information concerning the product or system in the current product catalog. Due to the variety of operation conditions and applications for these products or systems, the user, through its own analysis and testing, is solely responsible for making the final selection of the products and systems and assuring that all performance, safety and warning requirements of the application are met.

The products described herein, including without limitation, product features, specifications, designs, availability and pricing, are subject to change by Snap-tite, Inc. and its subsidiaries at any time without notice.

Snap-tite
COMPONENTS, INC.

Quick Disconnect & Valve Division
201 Titusville Road
Union City, Pennsylvania 16438-8699 USA
PH: 814-438-3821 FAX: 814-438-3069
e-mail: qd&v_sales@snap-tite.com
www.snap-tite.com

Snap-tite
EUROPE

Industrial Estate
Whitemill - Wexford
Republic of Ireland
PH: 353 53 914 1566 FAX: 353 53 914 1582
e-mail: ste_sales@snap-tite.com
www.snap-tite.com

ISO-9001 Certified

01-0019BE-0412

HIGH PRESSURE WATER BLAST COUPLING 56 SERIES

Featuring...

Snap-tite quality with superior pressure and flow characteristics over the competition



- **Engineered for operating pressures to 12,000 psi (828 bar) with 4:1 safety factor**
- **High strength steel construction with corrosion resistant Zinc Trivalent Chromate plating[†]**
- **Proven dog-lock mechanism provides safe, positive connection and eliminates ball brinnelling**
- **Interchangeable with Parker WB Series and Aeroquip FD69 Series**
- **Nipple mounted sleeve guard and coupler sleeve lock aid in preventing accidental disconnection**
- **Straight through bore provides minimal pressure drop**
- **Available in 1/2" body size with 3/8" or 1/2" end fittings**

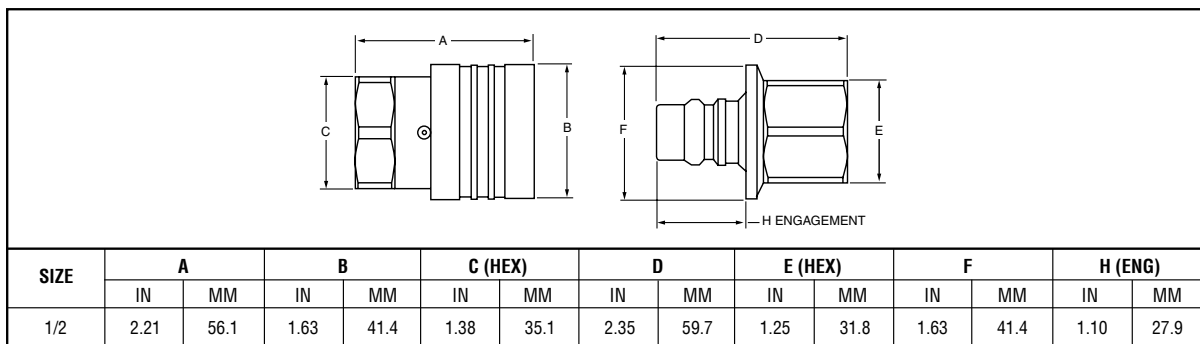
[†]Conforms with ROHS and WEEE European Union Directives

Snap-tite's 56 Series is designed for rugged, high pressure water blasting equipment used in cleaning and paint stripping applications. Snap-tite has increased the working pressure to 12,000 psi (828 bar) while maintaining a 4:1 safety factor and interchangeability with competitive units. The 56 Series utilizes a proven dog-lock mechanism that increases surface contact and provides even load distribution under pressure thereby increasing the service life of the coupling.

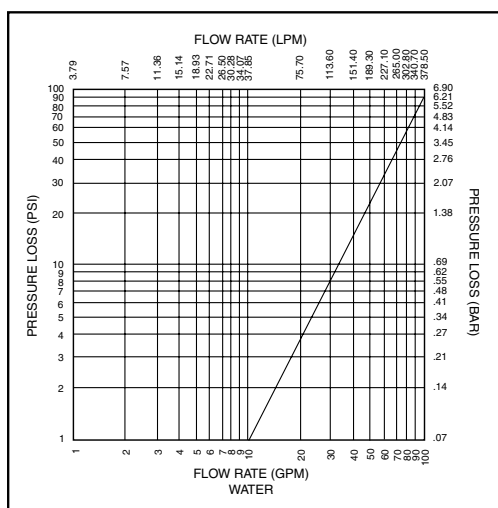
In addition to cleaning and paint removal, water blast equipment is also used in the cleaning of maritime vessels as well as the removal of mill scale in industrial applications.



TECHNICAL AND DIMENSIONAL INFORMATION



FLOW CHART



PRESSURE RATINGS

SIZE	MAXIMUM WORKING		MINIMUM BURST	
	PSI	BAR	PSI	BAR
1/2	12,000	828	48,000	3310

HOW TO ORDER

PART NO. 56 C 8 - 8 F					
Series	Coupling Half	Coupling Size	End Fitting Size	End Fitting Type	Seals
56	C Coupler N Nipple	8 = 1/2"	6 = 3/8" 8 = 1/2"	F Female NPTF	No letter- Buna N V = Viton E = Ethylene Propylene Rubber

! WARNING !

FAILURE OR IMPROPER SELECTION OR IMPROPER USE OF THE PRODUCTS AND/OR SYSTEMS DESCRIBED HEREIN OR RELATED ITEMS CAN CAUSE DEATH, PERSONAL INJURY AND/OR PROPERTY DAMAGE.

This document and other information from Snap-tite, Inc., its subsidiaries and authorized distributors, provides product and/or system options for further investigation by users having technical expertise. It is important that you analyze all aspects of your application and review the information concerning the product or system in the current product catalog. Due to the variety of operation conditions and applications for these products or systems, the user, through its own analysis and testing, is solely responsible for making the final selection of the products and systems and assuring that all performance, safety and warning requirements of the application are met.

The products described herein, including without limitation, product features, specifications, designs, availability and pricing, are subject to change by Snap-tite, Inc. and its subsidiaries at any time without notice.

COMPONENTS, INC.

Quick Disconnect & Valve Division
201 Titusville Road
Union City, Pennsylvania 16438-8699 USA
PH: 814-438-3821 FAX: 814-438-3069
e-mail: qd&v_sales@snap-tite.com
www.snap-tite.com

EUROPE

Industrial Estate
Whitemill - Wexford
Republic of Ireland
PH: 353 53 914 1566 FAX: 353 53 914 1582
e-mail: ste_sales@snap-tite.com
www.snap-tite.com

ISO-9001 Certified

01-0084BE-0311



HYDRAULIC COUPLINGS 60 SERIES

Featuring...
Snap-tite quality with superior pressure and flow characteristics over the competition



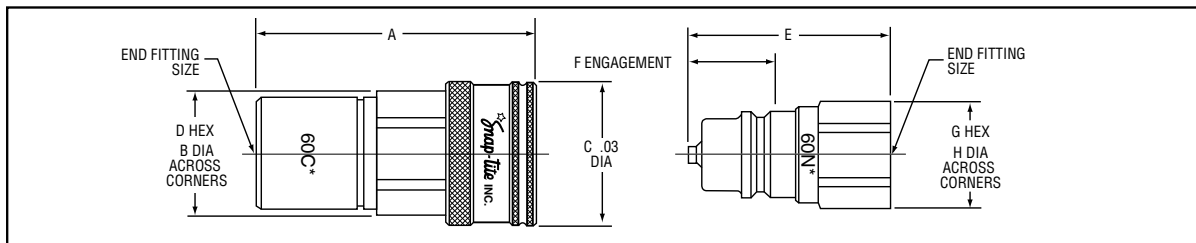
- *Interchangeable with Aeroquip FD42 and Parker 4000 Series*
- *4:1 Safety factor*
- *Proven ball-lock mechanism provides positive connection*
- *Poppet style shut-off*
- *High strength steel construction*
- *Zinc Trivalent Chromate plating for corrosion resistance*
- *Choice of seal materials to handle a variety of fluids*
- *Sizes 1/4" & 3/8"*

Conforms with ROHS and WEEE European Union Directives

Snap-tite's 60 Series is designed to accommodate high surge flows found in demanding hydraulic applications. Typical applications include snow plows, agricultural equipment and construction equipment. The 60 Series will interchange with Aeroquip's FD42 Series and Parker's 4000 Series. The 60 Series coupler is provided with a retaining groove for bulkhead mounting. The poppet style valve design provides excellent sealing in both high and low pressure applications. The 60 Series offers up to 3000 psi (210 bar) operating pressure in both the connected and disconnected positions.

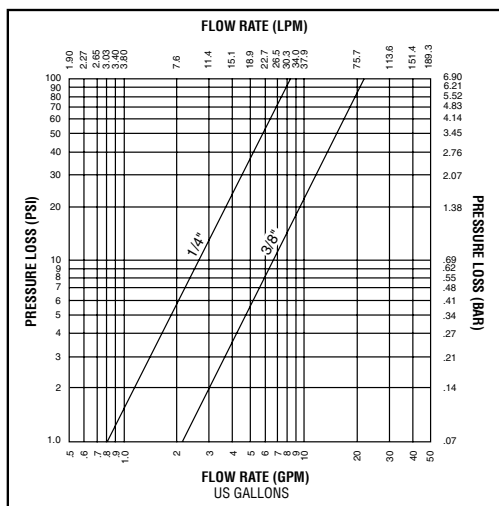


TECHNICAL AND DIMENSIONAL INFORMATION



SIZE	A		B		C		D		E		F		G		H	
	IN	MM	IN	MM	IN	MM	IN	MM	IN	MM	IN	MM	IN	MM	IN	MM
1/4"	2.15	54.61	.96	24.38	1.12	28.45	.88	22.35	1.56	39.62	.77	19.56	.75	19.05	.83	21.08
3/8"	2.41	61.21	1.31	33.27	1.38	35.05	1.19	30.23	1.76	44.70	.90	22.86	.94	23.88	1.03	26.16

FLOW CHART



PRESSURE RATINGS


SIZE	MAXIMUM WORKING		MINIMUM BURST		MAXIMUM CONNECT BY HAND	
	PSI	BAR	PSI	BAR	PSI	BAR
1/4"	3,000	210	12,000	830	150	10
3/8"	3,000	210	12,000	830	150	10

HOW TO ORDER

PART NO. 60 C 4- 4 F						
Series	Coupling Half	Coupling Size	End Fitting Size	End Fitting Type	Seals	Options
60	C Coupler N Nipple	4 = 1/4" 6 = 3/8"	4 = 1/4" 6 = 3/8"	F Female NPTF RP Female British Parallel BS2779	No letter- Buna N V = Viton	SL Sleeve Lock

ACCESSORIES

SIZE	DUST PLUG/CAP (either/or)
1/4"	60PDCP-4
3/8"	60PDCP-6



! WARNING !

FAILURE OR IMPROPER SELECTION OR IMPROPER USE OF THE PRODUCTS AND/OR SYSTEMS DESCRIBED HEREIN OR RELATED ITEMS CAN CAUSE DEATH, PERSONAL INJURY AND/OR PROPERTY DAMAGE.

This document and other information from Snap-tite, Inc., its subsidiaries and authorized distributors, provides product and/or system options for further investigation by users having technical expertise. It is important that you analyze all aspects of your application and review the information concerning the product or system in the current product catalog. Due to the variety of operation conditions and applications for these products or systems, the user, through its own analysis and testing, is solely responsible for making the final selection of the products and systems and assuring that all performance, safety and warning requirements of the application are met.

The products described herein, including without limitation, product features, specifications, designs, availability and pricing, are subject to change by Snap-tite, Inc. and its subsidiaries at any time without notice.



Quick Disconnect & Valve Division
201 Titusville Road
Union City, Pennsylvania 16438-8699 USA
PH: 814-438-3821 FAX: 814-438-3069
e-mail: qd&v_sales@snap-tite.com
www.snap-tite.com



Industrial Estate
Whitemill - Wexford
Republic of Ireland
PH: 353 53 914 1566 FAX: 353 53 914 1582
e-mail: ste_sales@snap-tite.com
www.snap-tite.com

ISO-9001 Certified

101-0022BE-0608

★ *Snap-tite*

ISO
Series A
Interchange

61
SERIES



★ Snap-tite 61 Series — ISO A Interchange

Featuring...Snap-tite quality with superior pressure and flow characteristics over the competition



- Interchangeable with other manufacturers offering ISO Series A couplings
- Dimensional & performance requirements conform to ISO 7241-1 Series A
- 4:1 Safety Factor
- Proven ball-lock mechanism provides positive connection
- Poppet style shut-off
- High strength steel construction
- Zinc Trivalent Chromate plating for corrosion resistance
- Choice of seal materials to handle a variety of fluids
- Sizes 1/4" – 1"

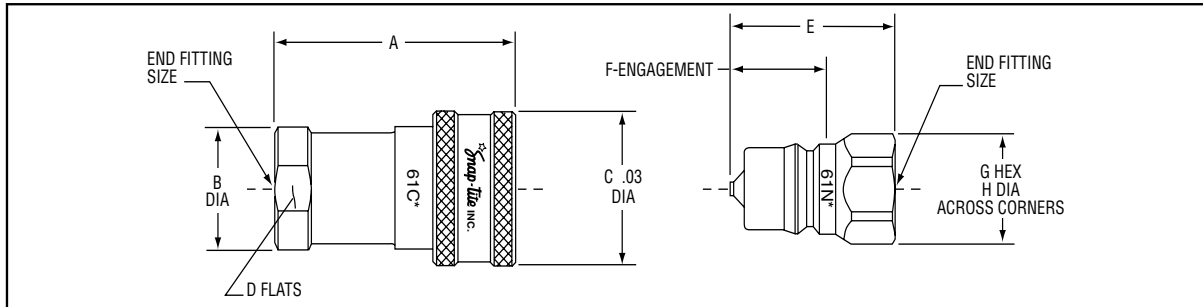
Conforms with ROHS and WEEE European Union Directives

Snap-tite's 61 Series is designed to conform to the dimensional and performance requirements of ISO 7241-1 Series A, which details the testing, performance and dimensions of the nipple. This is to enable interchangeability with couplings produced by other manufacturers who meet the same standard. Snap-tite's 61 Series features superior working pressures, flow characteristics and safety factors, making the 61 Series the premier ISO Series A interchange.

PRESSURE RATINGS

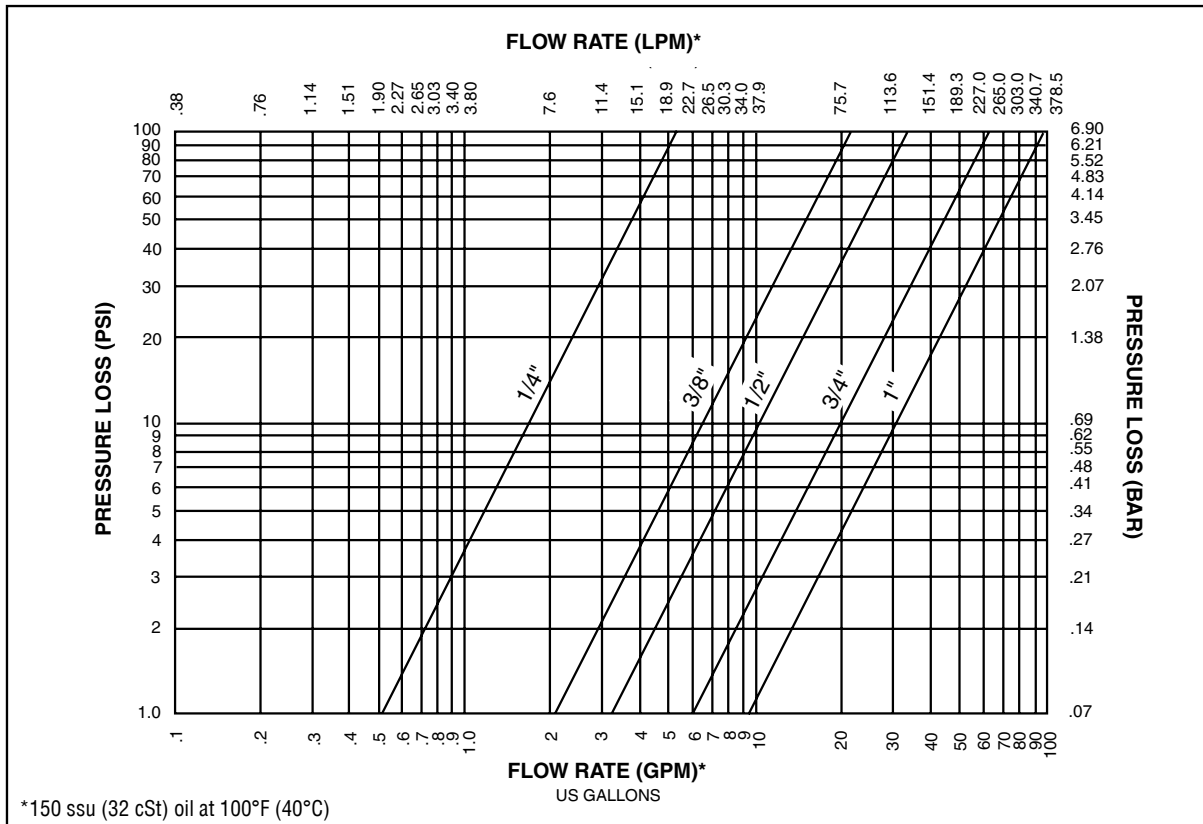
SIZE	MAXIMUM WORKING		MINIMUM BURST		MAXIMUM CONNECT BY HAND	
	PSI	BAR	PSI	BAR	PSI	BAR
1/4"	4,600	317	18,400	1269	150	10
3/8"	4,600	317	18,400	1269	150	10
1/2"	4,000	276	16,000	1103	100	7
3/4"	4,000	276	16,000	1103	50	3
1"	3,000	207	12,000	828	40	3

TECHNICAL AND DIMENSIONAL INFORMATION



SIZE	A		A (SAE)		B		C		D		E		E (SAE)		F		G		H	
	IN	MM	IN	MM	IN	MM	IN	MM	IN	MM	IN	MM	IN	MM	IN	MM	IN	MM	IN	MM
1/4"	1.94	49.28			.88	22.35	1.06	26.92	.75	19.05	1.45	19.05			.64	16.26	.75	19.05	.83	21.08
1/4" x 3/8"			1.94	49.28	.88	22.35	1.06	26.92	.81	20.57			1.45	19.05	.64	16.26	.81	20.57	.89	22.60
3/8"	2.34	59.44			1.06	26.92	1.27	32.25	.88	22.35	1.76	44.70			.82	20.83	.88	22.35	.96	24.38
3/8" x 1/2"			2.34	59.44	1.06	26.92	1.27	32.25	1.00	25.40			1.76	44.70	.82	20.83	1.00	25.40	1.10	27.94
1/2"	2.71	68.83	2.71	68.83	1.19	30.23	1.50	38.10	1.00	25.40	2.00	50.80	2.00	50.80	1.00	25.40	1.06	26.92	1.17	29.72
1/2" x 5/8"			2.71	68.83	1.19	30.23	1.50	38.10	1.13	28.70			2.00	50.80	1.00	25.40	1.13	28.70	1.24	31.50
3/4"	3.27	83.06	3.27	83.06	1.61	40.89	1.88	47.75	1.38	35.05	2.44	61.98	2.44	61.98	1.31	33.27	1.38	35.05	1.51	38.35
1"	3.68	93.47	3.68	93.47	1.86	47.24	2.13	54.10	1.63	41.40	2.67	67.82	2.67	67.82	1.59	40.39	1.63	41.40	1.79	45.47

FLOW CHART



HOW TO ORDER

PART NO.						
	61	C	6-	6	F	
Series	Coupling Half	Coupling Size	End Fitting Size	End Fitting Type	Seals	Options
61	C Coupler N Nipple	4 = 1/4" 6 = 3/8" 8 = 1/2" 12 = 3/4" 16 = 1"	4 = 1/4" 6 = 3/8" 8 = 1/2" 10 = 5/8" 12 = 3/4" 16 = 1"	F Female NPTF RP Female British Parallel BS2779 EF* Female SAE	Std. seal is Buna V = Viton E = Ethylene Propylene Rubber M = MIL-H-5606	SL Sleeve Lock

*SAE Threads: 1/4" is supplied with 3/8" SAE (4-6EF) only
 3/8" is supplied with 1/2" SAE (6-8EF) only
 1/2" can be supplied with 5/8" SAE (8-10EF) if required
 All others are size for size (8-8EF, 12-12EF, 16-16EF)

ACCESSORIES

	DUST PLUG	DUST CAP
1/4"	61PDP-4	61PDC-4
3/8"	PDP-8	PDC-8
1/2"	61PDP-8	PDC-12
3/4"	61PDP-12	61PDC-12
1"	61PDP-16	61PDC-16

! WARNING !

FAILURE OR IMPROPER SELECTION OR IMPROPER USE OF THE PRODUCTS AND/OR SYSTEMS DESCRIBED HEREIN OR RELATED ITEMS CAN CAUSE DEATH, PERSONAL INJURY AND/OR PROPERTY DAMAGE.

This document and other information from Snap-tite, Inc., its subsidiaries and authorized distributors, provides product and/or system options for further investigation by users having technical expertise. It is important that you analyze all aspects of your application and review the information concerning the product or system in the current product catalog. Due to the variety of operation conditions and applications for these products or systems, the user, through its own analysis and testing, is solely responsible for making the final selection of the products and systems and assuring that all performance, safety and warning requirements of the application are met.

The products described herein, including without limitation, product features, specifications, designs, availability and pricing, are subject to change by Snap-tite, Inc. and its subsidiaries at any time without notice.



Snap-tite
COMPONENTS, INC.

Quick Disconnect & Valve Division
 201 Titusville Road
 Union City, Pennsylvania 16438-8699 USA
 PH: 814-438-3821 FAX: 814-438-3069
 e-mail: qd&v_sales@snap-tite.com
 www.snap-tite.com



Snap-tite
EUROPE

Industrial Estate
 Whitemill - Wexford
 Republic of Ireland
 PH: 353 53 914 1566 FAX: 353 53 914 1582
 e-mail: ste_sales@snap-tite.com
 www.snap-tite.com

DISTRIBUTED BY:

ISO-9001 Certified

01-0044BE-1208

Snap-Tite

ISO
Series B
Interchange

72
SERIES



★ Snap-tite 72 Series — ISO Series B Interchange

Featuring...Snap-tite quality with superior pressure and flow characteristics over the competition.



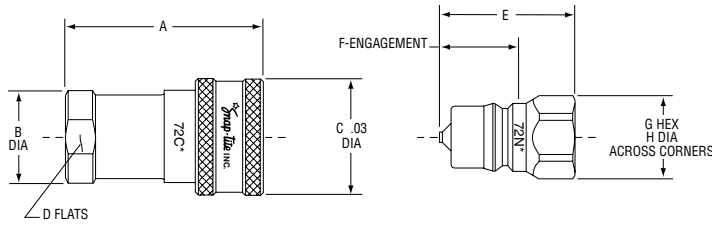
- Sizes 1/8" – 1"
- Yellow Zinc Chromate plated steel[†], stainless steel (303 & 316) and brass are standard
- Wide choice of seal materials to handle a variety of fluids
- Proven ball-lock mechanism provides positive connection
- Poppet style double shut-off
- Industry interchangeability...couplers (sockets) and nipples (plugs) are interchangeable with other manufacturers offering ISO Series B couplings

[†]Conforms with ROHS and WEEE European Union Directives

Snap-tite's 72 Series is designed to meet or exceed ISO 7241-1 Series B. This ISO specification stipulates the test specification of the couplings and the dimensions of the nipple so the couplings will interchange with those of other manufacturers meeting this same specification. Snap-tite's 72 Series features superior pressure and flow characteristics over the other manufacturers making the 72 Series the premier ISO Industrial Interchange.

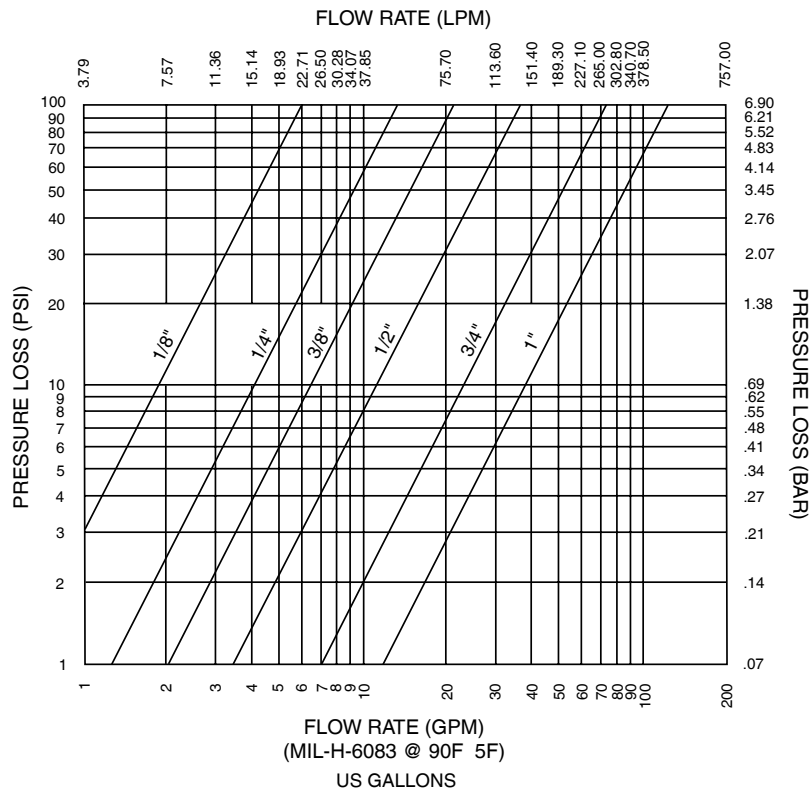
PRESSURE RATINGS												
Double shut-off (Valved and Valved)												
SIZE	STEEL				STAINLESS STEEL				BRASS			
	MAXIMUM WORKING		MINIMUM BURST		MAXIMUM WORKING		MINIMUM BURST		MAXIMUM WORKING		MINIMUM BURST	
	PSI	BAR	PSI	BAR	PSI	BAR	PSI	BAR	PSI	BAR	PSI	BAR
1/8"	5,000	345	20,000	1,380	4,000	280	16,000	1,105	3,000	210	12,000	830
1/4"	7,500	520	30,000	2,070	5,500	380	22,000	1,520	3,750	260	15,000	1,035
3/8"	5,000	345	20,000	1,380	3,750	260	15,000	1,035	2,750	190	11,000	760
1/2"	5,000	345	20,000	1,380	3,750	260	15,000	1,035	3,000	210	12,000	830
3/4"	4,000	280	16,000	1,105	3,000	210	12,000	830	2,200	155	8,800	610
1"	4,000	280	16,000	1,105	3,000	210	12,000	830	1,500	105	6,000	415

TECHNICAL AND DIMENSIONAL INFORMATION



SIZE	A		A (SAE)		B		C		D		E		E (SAE)		F		G		H	
	IN	MM	IN	MM	IN	MM	IN	MM	IN	MM	IN	MM	IN	MM	IN	MM	IN	MM	IN	MM
1/8"	2.02	51.30			.82	20.83	.93	23.62	.69	17.53	1.38	35.05			.85	21.59	.56	14.22	.62	15.75
1/8" x 1/4"			2.06	52.32	.82	20.83	.93	23.62	.69	17.53			1.42	36.07	.85	21.59	.68	17.27	.76	19.30
1/4"	2.25	57.15			.88	22.35	1.12	28.45	.75	19.05	1.51	38.35			.95	24.13	.75	19.05	.83	21.08
1/4" x 3/8"			2.41	61.21	.88	22.35	1.12	28.45	.75	19.05			1.67	42.42	.95	24.13	.88	22.35	.96	24.38
3/8"	2.57	65.28			1.13	28.70	1.38	35.05	1.00	25.40	1.74	44.20			1.13	28.70	.88	22.35	.96	24.38
3/8" x 1/2"			2.77	70.36	1.13	28.70	1.38	35.05	1.00	25.40			1.94	49.28	1.13	28.70	1.00	25.40	1.10	27.94
1/2"	2.95	74.93	2.95	74.93	1.37	34.80	1.75	44.45	1.25	31.75	2.01	51.05	2.01	51.05	1.27	32.26	1.13	28.70	1.24	31.50
1/2" x 5/8"			3.02	76.71	1.37	34.80	1.75	44.45	1.25	31.75			2.08	52.83	1.27	32.26	1.19	30.23	1.31	33.27
3/4"	3.48	88.39	3.69	97.73	1.75	44.45	2.13	54.10	1.50	38.10	2.33	59.18	2.54	64.52	1.64	41.66	1.38	35.05	1.51	38.35
1"	4.14	105.16	4.14	105.16	2.00	50.80	2.50	63.50	1.75	44.45	2.81	71.37	2.81	71.37	1.87	47.50	1.63	41.40	1.79	45.47

FLOW CHART



HOW TO ORDER

PART NO. S 72 C 4- 4 F

Material	Series	Coupling Half	Coupling Size	End Fitting Size	End Fitting Type	Seals	Options
No letter Steel, plated S 303 Stainless Steel SS 316 Stainless Steel B Brass	72	C Coupler N Nipple	2 = 1/8" 4 = 1/4" 6 = 3/8" 8 = 1/2" 12 = 3/4" 16 = 1"	2 = 1/8" 4 = 1/4" 6 = 3/8" 8 = 1/2" 10 = 5/8" 12 = 3/4" 16 = 1"	F* Female NPTF RP Female British Parallel BS2779 EF† Female SAE (Steel & 303 SST Only)	No letter for Buna-N (nitrile) V Viton E Ethylene Propylene Rubber	SL Sleeve Lock

*316 stainless steel construction supplied with female NPSF threads

†SAE Threads:

- 1/8" is supplied with 1/4" SAE (2-4EF) only
- 1/4" is supplied with 3/8" SAE (4-6EF) only
- 3/8" is supplied with 1/2" SAE (6-8EF) only
- 1/2" can be supplied with 5/8" SAE (8-10EF) if required
- All others are size for size (8-8EF, 12-12EF, 16-16EF)

ACCESSORIES	
	DUST CAP/ PLUG
1/8"	72PDCP-2
1/4"	72PDCP-4
3/8"	72PDCP-6
1/2"	72PDCP-8
3/4"	72PDCP-12
1"	72PDCP-16

Dust cap/plugs have a cap and plug on the same strap for use on either a coupler or a nipple.

! WARNING !

FAILURE OR IMPROPER SELECTION OR IMPROPER USE OF THE PRODUCTS AND/OR SYSTEMS DESCRIBED HEREIN OR RELATED ITEMS CAN CAUSE DEATH, PERSONAL INJURY AND/OR PROPERTY DAMAGE.

This document and other information from Snap-tite, Inc., its subsidiaries and authorized distributors, provides product and/or system options for further investigation by users having technical expertise. It is important that you analyze all aspects of your application and review the information concerning the product or system in the current product catalog. Due to the variety of operation conditions and applications for these products or systems, the user, through its own analysis and testing, is solely responsible for making the final selection of the products and systems and assuring that all performance, safety and warning requirements of the application are met.

The products described herein, including without limitation, product features, specifications, designs, availability and pricing, are subject to change by Snap-tite, Inc. and its subsidiaries at any time without notice.



Quick Disconnect & Valve Division
 201 Titusville Road
 Union City, Pennsylvania 16438-8699 USA
 PH: 814-438-3821 Fax: 814-438-3069
 e-mail: qd&v_sales@snap-tite.com
www.snap-tite.com



Industrial Estate
 Whitemill - Wexford
 Republic of Ireland
 PH: 353 53 914 1566 Fax: 353 53 914 1582
 e-mail: ste_sales@snap-tite.com
www.snap-tite.com

DISTRIBUTED BY:

ISO-9001 Certified

01-0048BE-1006

 *Snap-tite*

Ultra
High
Pressure
Couplings

73
SERIES



★ Snap-tite 73 Series — Ultra High Pressure Couplings

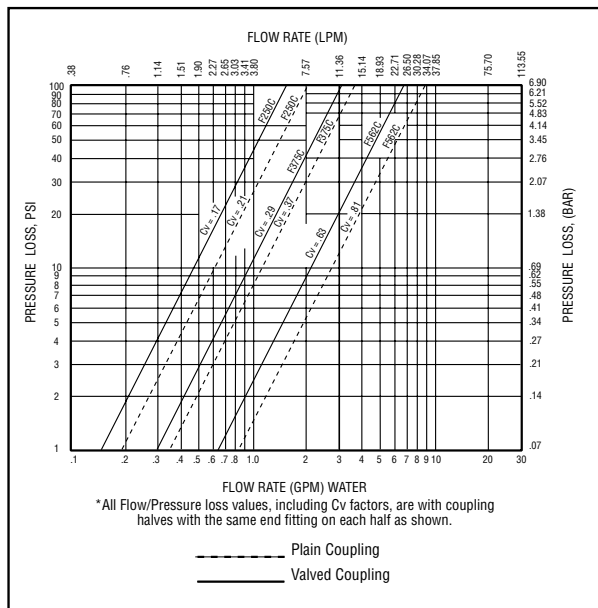
Featuring...Snap-tite quality with superior pressure and flow characteristics over the competition.



- Rugged heavy duty construction with superior flow characteristics.
- Designed for operating pressures to 43,500 psi (3000 bar).
- Stainless steel construction.
- Positive locking collar prevents accidental disconnection.
- Available in 1/4" size.

The 73 Series is designed specifically for waterjet, waterblast, oilfield injection and test systems where ultra-high pressures are common place.

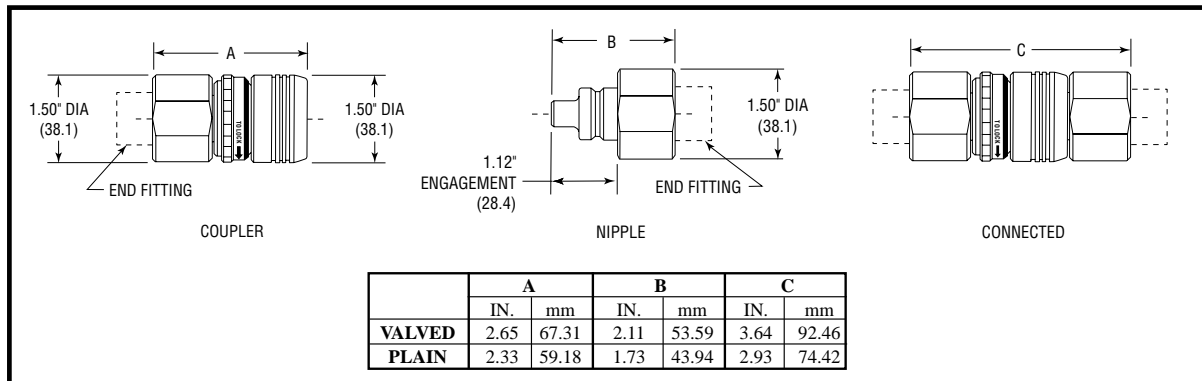
PRESSURE DROP*



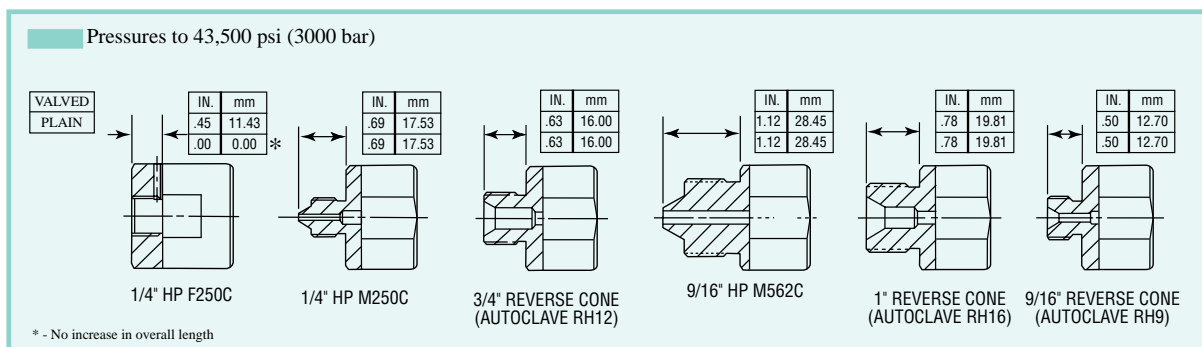
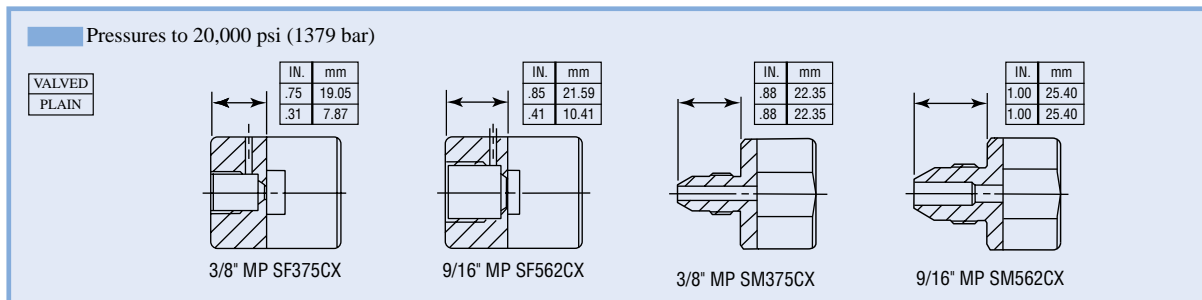
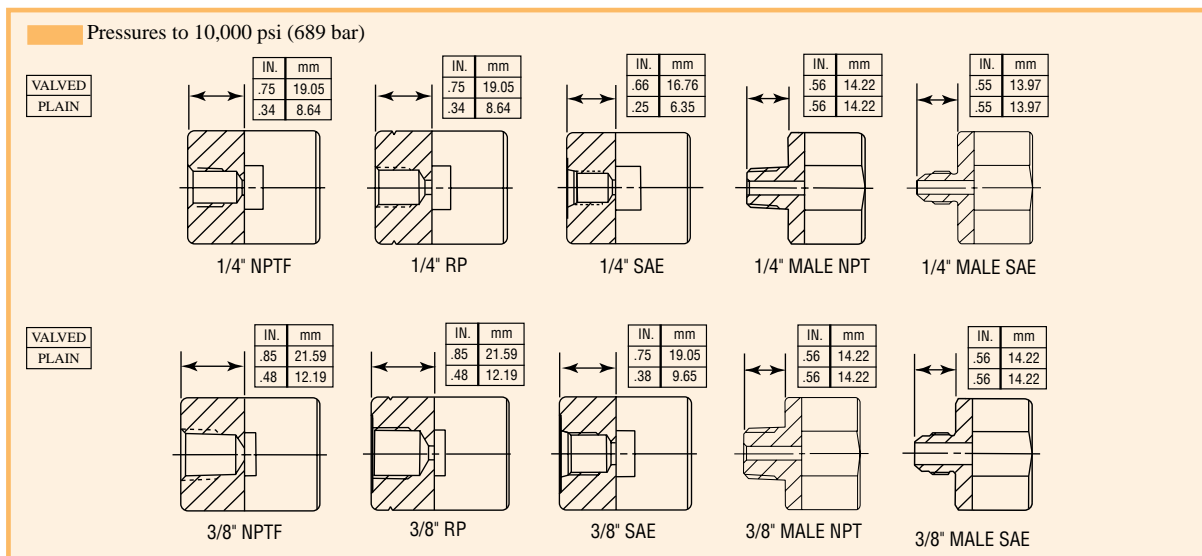
PRESSURE RATINGS

SIZE (inches)	STAINLESS STEEL			
	MAX. WORKING		MIN. BURST	
	PSI	BAR	PSI	BAR
1/4"	43,500	3000	87,000	6000

TECHNICAL AND DIMENSIONAL INFORMATION



AVAILABLE END FITTINGS



HOW TO ORDER

PART NO. S V 73 C 4 - SF562CX

Material	Body Type	Series	Coupling Half	Coupling Size	Seal Material
S Stainless Steel	V Valved P Plain	73 Series	C Coupler N Nipple	4 = 1/4"	No letter Buna N E Ethylene Propylene

End Fitting Type*

Pressures to 10,000 psi (689 bar)	Pressures to 20,000 psi (1379 bar)	Pressures to 43,500 psi (3000 bar)
-4F 1/4" Female NPTF -4EF 1/4" Female SAE -4RP 1/4" Female British Parallel BS2779 -4M 1/4" Male NPT -4EM 1/4" Male SAE -6F 3/8" Female NPTF -6EF 3/8" Female SAE -6RP 3/8" Female British Parallel BS2779 -6M 3/8" Male NPT -6EM 3/8" Male SAE	SF562CX 9/16" Female Medium Pressure SF375CX 3/8" Female Medium Pressure SM562CX 9/16" Male Medium Pressure SM375CX 3/8" Male Medium Pressure	M562C 9/16" High Pressure Male RH9 9/16" Reverse Cone RH12 3/4" Reverse Cone RH16 1" Reverse Cone F250C 1/4" Female High Pressure M250C 1/4" Male High Pressure

*Other end fittings available upon request

! WARNING !

FAILURE OR IMPROPER SELECTION OR IMPROPER USE OF THE PRODUCTS AND/OR SYSTEMS DESCRIBED HEREIN OR RELATED ITEMS CAN CAUSE DEATH, PERSONAL INJURY AND/OR PROPERTY DAMAGE.

This document and other information from Snap-tite, Inc., its subsidiaries and authorized distributors provides product and/or system options for further investigation by users having technical expertise. It is important that you analyze all aspects of your application and review the information concerning the product or system in the current product catalog. Due to the variety of operation conditions and applications for these products or systems, the user, through its own analysis and testing, is solely responsible for making the final selection of the products and systems and assuring that all performance, safety and warning requirements of the application are met.

The products described herein, including without limitation, product features, specifications, designs, availability and pricing, are subject to change by Snap-tite, Inc. and its subsidiaries at any time without notice.



Quick Disconnect & Valve Division
201 Titusville Road
Union City, Pennsylvania 16438-8699 USA
Ph: 814-438-3821 Fax: 814-438-3069
email: qd&v_sales@snap-tite.com
www.snap-tite.com

ISO-9001 Certified



Industrial Estate
Whitemill-Wexford
Republic of Ireland
Ph: 353 53 914 1566 Fax: 353 53 914 1582
email: ste_sales@snap-tite.com
www.snap-tite.com

DISTRIBUTED BY:

01-0010BE-0302

Snap-tite 75 Series

Thread-to-Connect Coupling



Heavy Duty Threaded Connection in a Wide Range of Sizes

The rugged 75 Series is designed and constructed for high pressure hydraulic service. Although these couplings are used in a broad variety of heavy duty applications, a primary usage is in oil fields and offshore drilling. Other applications include cranes, power tongs, horizontal boring and dewatering.

Available in sizes 3/4" through 4", in steel or stainless steel construction. The 3/4" size has a hex nut sleeve. All other sizes have a wing nut style connection.



Contact Information: 75 Series Features:

Parker Hannifin Corporation
Quick Coupling Division
8145 Lewis Road
Minneapolis, MN 55427

phone 763 544 7781
fax 763 544 3418
qcd_sales@parker.com

www.parker.com/quickcouplings

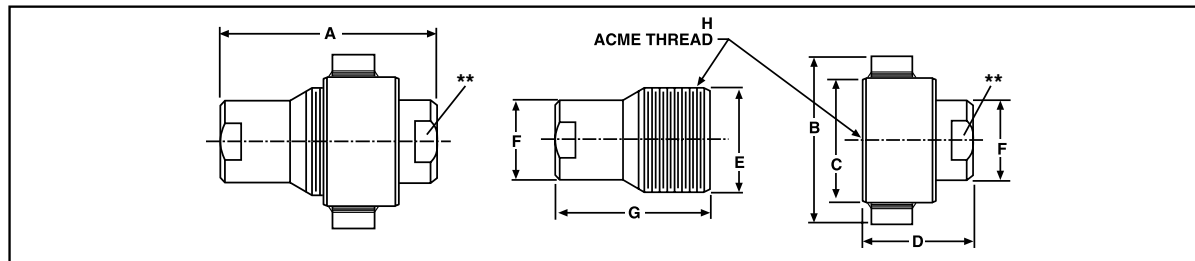
- Connect under residual pressure
- Up to 5,000 psi (345 bar) rated pressures
- Thread-to-connect
- Rugged steel construction with Zinc Trivalent Chromate plating
- Stainless steel construction also available
- Wide range of sizes
- Choice of seal materials to handle a variety of fluids
- DBP version is "Fire Safe" rated to API 16D



ENGINEERING YOUR SUCCESS.

Technical and Dimensional Information

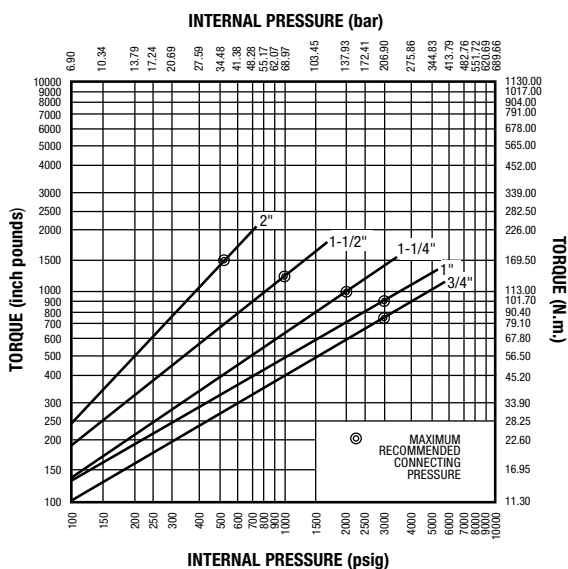
3/4" thru 4"



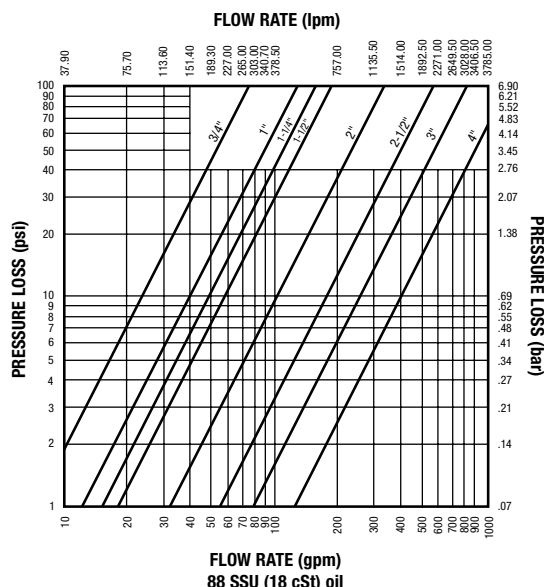
Size	A		B		C (Dia.)		D		E (Dia.)		F		G		H (ACME)
	in	mm	in	mm	in	mm	in	mm	in	mm	in	mm	in	mm	
3/4"	4.85	123.19			1.87*	47.50*	2.84	72.14	1.75	44.45	1.35	34.29	3.27	83.06	1-3/4"-8
1"	6.04	153.32	4.25	107.95	2.75	69.85	3.45	87.63	2.25	57.15	1.77	44.96	4.17	105.92	2-1/4"-6
1-1/4"	7.76	197.10	4.75	120.65	3.25	82.55	4.40	111.76	2.62	66.55	2.14	54.36	5.36	136.14	2-5/8"-6
1-1/2"	8.70	220.98	5.75	146.05	3.75	95.25	5.04	128.02	3.24	82.30	2.50	63.50	5.97	151.64	3-1/4"-4
2"	10.05	255.27	6.75	171.45	4.75	120.65	6.07	154.18	4.00	101.60	3.25	82.55	7.05	179.07	4"-4
2-1/2"	10.13	257.30	8.00	203.20	6.00	152.40	5.29	134.37	5.00	127.00	3.38	85.85	7.46	189.48	5"-4
3"	10.58	268.73	8.50	215.90	6.50	165.10	5.84	148.34	6.00	152.40	4.25	107.95	8.26	209.80	6"-4
4"	12.36	313.94	11.00	279.40	7.00	177.80	7.11	180.59	6.63	168.40	5.25	133.35	9.40	238.76	6-5/8"-4

*Hex dimensions are taken from flat of hex and not across corners.
 Decimal dimensions are ± .06 in. (1.5mm)
 Dimensions are subject to change without notice.
 Part configurations are typical and do not necessarily represent actual appearance.
 **Wrench flats are special order. See "How to Order".

Torque Values for Connecting Under Pressure



Flow Chart

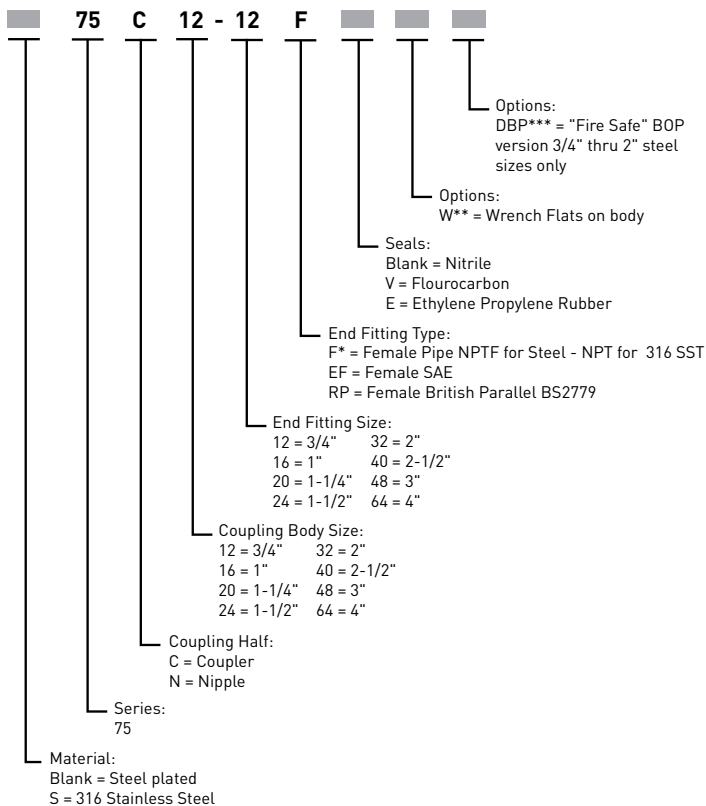


Pressure Ratings

Size	Spillage (cc)	Air Inclusion (cc)	Maximum Working Pressure Steel Only		Maximum Burst Pressure Steel Only		Maximum Working Pressure 316 Stainless (Connected Only)	
			PSI	Bar	PSI	Bar	PSI	Bar
3/4"	8	12	5,000	345	20,000	1379	3,000	207
1"	16	25	5,000	345	20,000	1379	3,000	207
1-1/4"	31	48	5,000	345	15,000	1035	3,000	207
1-1/2"	64	98	5,000	345	15,000	1035	3,000	207
2"	141	205	5,000	345	15,000	1035	3,000	207
2-1/2"	204	368	3,000	207	6,000	414	-	-
3"	320	480	3,000	207	6,000	414	-	-
4"	400	610	400	28	1,000	69	-	-

Burst pressures listed were taken at the point at which failure rendered the quick-disconnect inoperative. (Proof pressure equals 1-1/2 times the operating pressure).
 NOTE: Pressure Ratings were established under static pressure conditions.
 For impulse applications, multiply the above pressure ratings by .6 for approximate pressure ratings.
 -Contact QCD

Ordering Information



Dust Plugs and Caps

Size	Dust Plug	Dust Cap
3/4"	75MDP-12	75MDC-12
1"	75MDP-16	75MDC-16
1-1/4"	75MDP-20	75MDC-20
1-1/2"	75MDP-24	75MDC-24
2"	75MDP-32	75MDC-32
2-1/2"	75MDP-40	75MDC-40
4"	75MDP-64	75MDC-64

Repair Kits

Size	Coupler Kit	Nipple Kit
3/4"	75C12-SPK	75N12-SPK
1"	75C16-SPK	75N16-SPK
1-1/4"	75C20-SPK	75N20-SPK
1-1/2"	75C24-SPK	75N24-SPK
2"	75C32-SPK	75N32-SPK
2-1/2"	75C40-SPK	75N40-SPK
4"	75C64-SPK	75N64-SPK

Each kit contains a valve assembly, spring and guide stop.
 Consult QCD for "DBP" option seal kits.

* For sizes up to 3", NPTF threads. For sizes over 3", NPT threads.
 **Not available on 2" EF coupler. Standard on 2-1/2" and larger sizes (code not needed).
 ***DBP available in 3/4" through 2" sizes. Steel material only.
 †Seal material code not applicable with DBP option-leave blank.

Note: Not all configurations are standard product offering.
 Contact QCD for price and delivery.

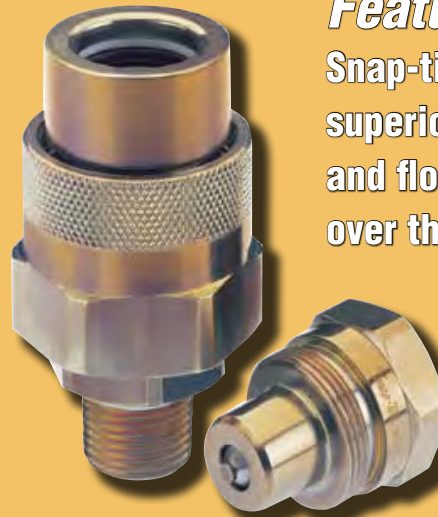


ENGINEERING YOUR SUCCESS.



HYDRAULIC COUPLINGS 76 SERIES

Featuring...
Snap-tite quality with superior pressure and flow characteristics over the competition



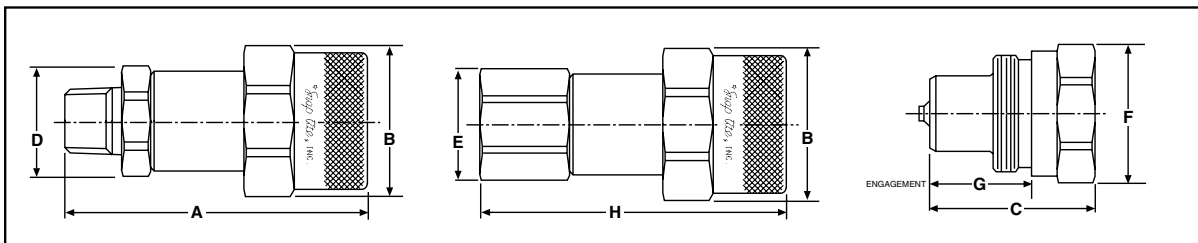
- *High strength soft seat poppet valves insure zero leakage and higher flow rates than commonly used metal-to-metal sealing ball design*
- *Heavy duty steel construction with Zinc Trivalent Chromate plating for excellent corrosion resistance*
- *Working pressures up to 14,500 psi (1,000 bar)*
- *Available in 1/4" and 3/8" sizes*
- *The specially designed threaded sleeve has knurling at the front to facilitate connection by hand. The hex at the back allows connection with the use of a wrench*
- *The couplings are available with male NPT, female NPSF or female British parallel BS2779 end fittings. The nipples are available with female NPSF or female British parallel BS2779 end fittings. Other end fittings are available, consult factory*

Conforms with ROHS and WEEE European Union Directives

 Snap-Tite

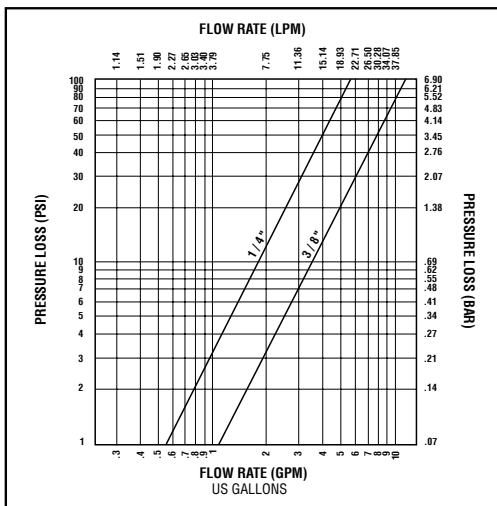
The Snap-tite 76 Series Thread-to-Connect Hydraulic Coupling was created for high pressure extreme applications such as are found on hydraulic rams, pumps, bolt tensioners and rescue equipment. The 76 Series is designed to interchange with a number of competitive coupling products such as Parker 3000, Faster PVVM, Enerpac C-604 and others of similar construction. This coupling has the ability to connect and disconnect under pressure while exceeding most competitor's maximum pressure specifications.

TECHNICAL AND DIMENSIONAL INFORMATION



SIZE	A		B (Hex)		C		D		E (Hex)		F (Hex)		G (Engagement)		H	
	IN	MM	IN	MM	IN	MM	IN	MM	IN	MM	IN	MM	IN	MM	IN	MM
1/4"	2.60	66.04	1.250	31.70	1.39	35.30	.96	24.30	0.875	22.20	1.00	25.40	.72	18.20	2.55	64.70
3/8"	2.97	75.40	1.375	34.90	1.62	41.40	1.10	27.90	1.00	25.40	1.25	31.80	.99	25.10	3.01	76.50

FLOW CHART



PERFORMANCE

	1/4"	3/8"
Maximum Working Pressure (bar)	14,500 psi (1000)	14,500 psi (1000)
Minimum Burst Pressure (bar)	29,000 psi (2000)	29,000 (2000)
Torque to connect at 500 psi (35 bar)	20 in. lb. (0.23 kg.m.)	60 in. lb. (07 kg.m.)
Spillage upon disconnect at 15 psi (1 bar)	0.80 cc	0.95 cc

HOW TO ORDER

PART NO. 76 C 6- 6 F				
Series	Coupling Half	Coupling Size	End Fitting Type	End Fitting Type
76	C Coupler N Nipple	4 = 1/4" 6 = 3/8"	4 = 1/4" 6 = 3/8"	F Female NPSF RP Female British Parallel BS2779 M* Male NPT *Available on coupler only

ACCESSORIES*

SIZE	DUST PLUG	DUST CAP
1/4"	76MDP-4	76MDC-4
3/8"	76MDP-6	76MDC-6

*Dust caps and dust plugs are manufactured from plated carbon steel

Standard seal is Buna N (Code A). For other seal materials, consult factory.

! WARNING !

FAILURE OR IMPROPER SELECTION OR IMPROPER USE OF THE PRODUCTS AND/OR SYSTEMS DESCRIBED HEREIN OR RELATED ITEMS CAN CAUSE DEATH, PERSONAL INJURY AND/OR PROPERTY DAMAGE.

This document and other information from Snap-tite, Inc., its subsidiaries and authorized distributors, provides product and/or system options for further investigation by users having technical expertise. It is important that you analyze all aspects of your application and review the information concerning the product or system in the current product catalog. Due to the variety of operation conditions and applications for these products or systems, the user, through its own analysis and testing, is solely responsible for making the final selection of the products and systems and assuring that all performance, safety and warning requirements of the application are met.

The products described herein, including without limitation, product features, specifications, designs, availability and pricing, are subject to change by Snap-tite, Inc. and its subsidiaries at any time without notice.



Quick Disconnect & Valve Division
201 Titusville Road
Union City, Pennsylvania 16438-8699 USA
Ph: 814-438-3821 Fax: 814-438-3069
e-mail: qd&v_sales@snap-tite.com
www.snap-tite.com

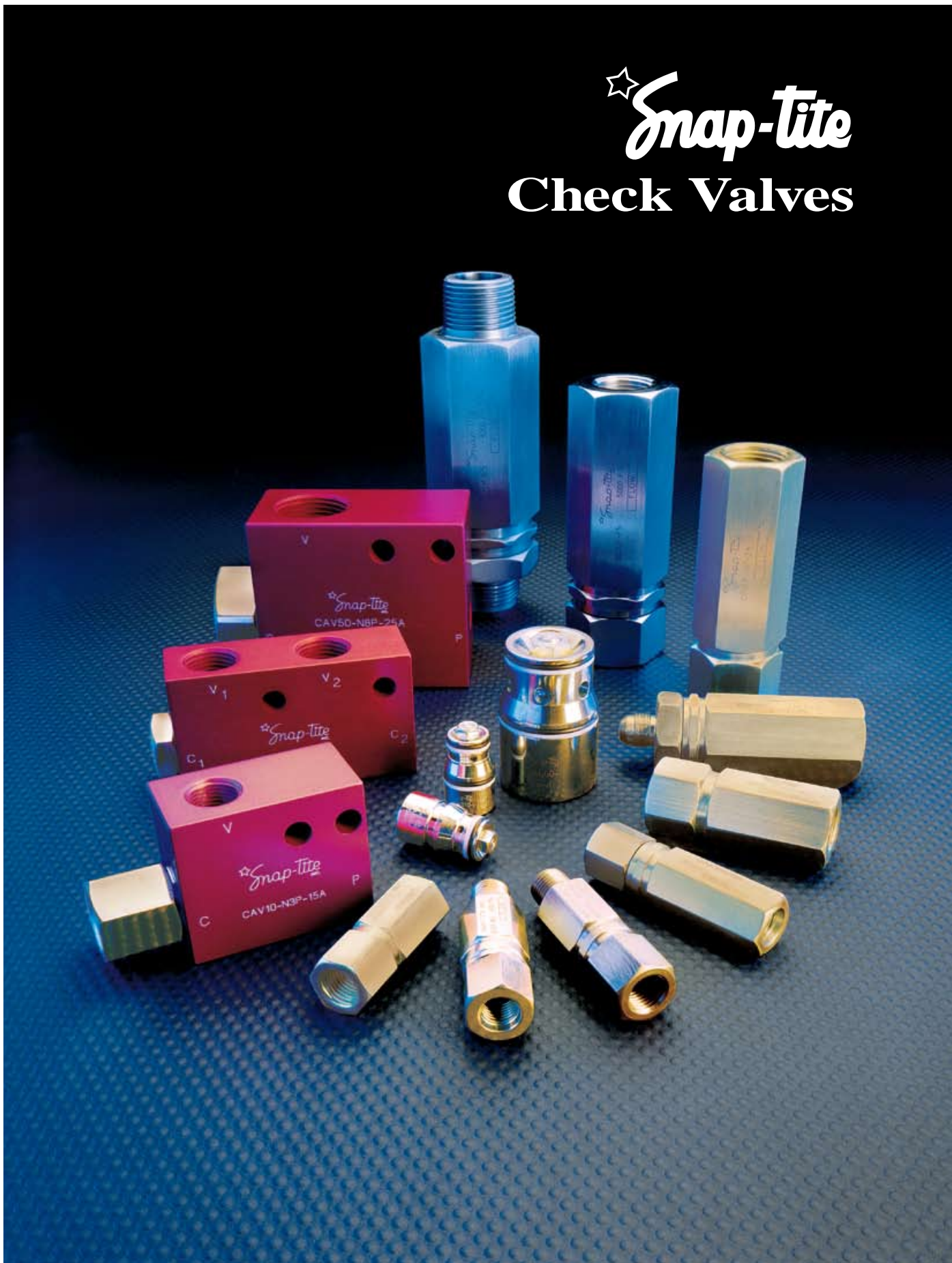


Industrial Estate
Whitemill - Wexford
Republic of Ireland
Ph: 353 53 914 1566 Fax: 353 53 914 1582
e-mail: ste_sales@snap-tite.com
www.snap-tite.com

ISO-9001 Certified

01-0015BE-1008

★ Snap-Tite Check Valves



CPIFF Inline Check Valves



Poppet style – soft seat
Flow rates to 30 gpm (115 l/min)
Steel Construction; other materials available
Five sizes - 1/4", 3/8", 1/2", 3/4", 1"
SAE, NPSF & BS 2779 female end fittings
Up to 5000 psi (345 bar) working pressure

Features

The soft seat (virtual zero leak) guided poppet design and 4:1 safety factor of Snap-tite's Inline Check Valves make them an excellent choice for a wide variety of applications where free flow in one direction and blocked flow in the reverse direction is required. The streamlined soft seated poppet offers minimum restriction to flow and positive shut off. These valves can be provided with various spring pressures and seal options compatible with most types of fluids.



†Notes:

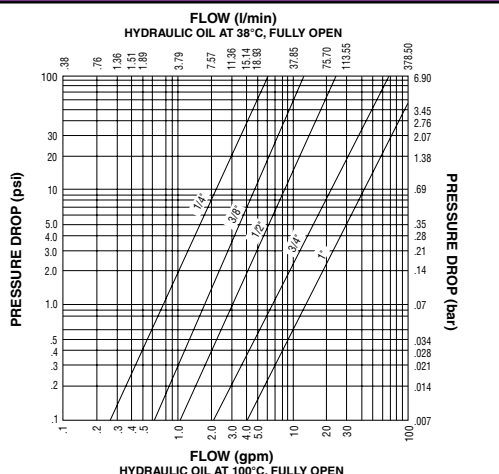
- Decimal dimensions are +/- .015 in. (.38 mm).
- Ratings, specifications, and dimensions are subject to change without notice.
- Part configurations are typical and do not necessarily represent actual appearance.
- Consult factory for certified drawing of 6C/3C end fitting configurations.

†Flow Direction



Dimensions and Specifications

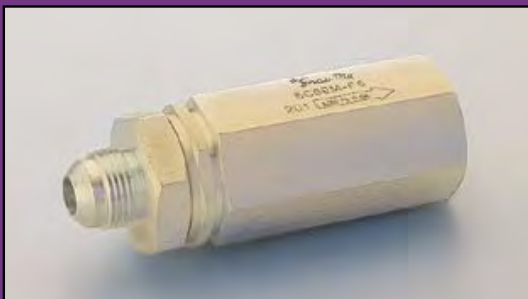
Size		1/4"	3/8"	1/2"	3/4"	1"
Hex	In.	.75	1.00	1.25	1.38	1.75
	mm	19.05	25.40	31.75	35.05	44.45
Length	In.	1.97	2.60	3.25	4.33	4.78
	mm	50.04	66.04	82.55	109.98	121.41
Cv		.60	1.20	2.40	4.10	7.15
Weight	lbs.	.20	.25	.90	1.25	2.25
	kg.	.09	.11	.41	.57	1.02
Flow	gpm	3.00	8.00	12.00	20.00	30.00
	l/min.	11.40	30.30	45.40	75.70	113.55



Note: Gallons shown are in U.S. gallons.

†Applies to all Inline Check Valve styles.

6C/3C Inline Check Valves



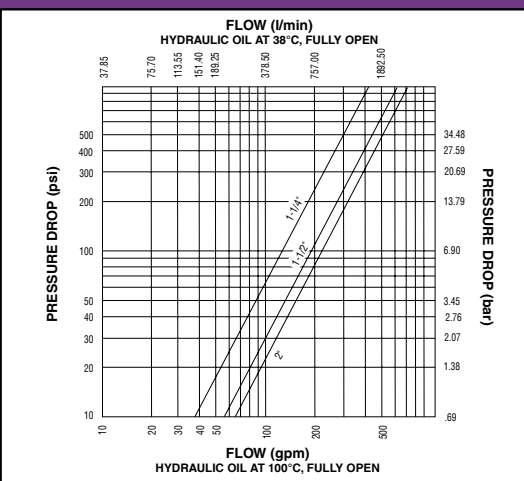
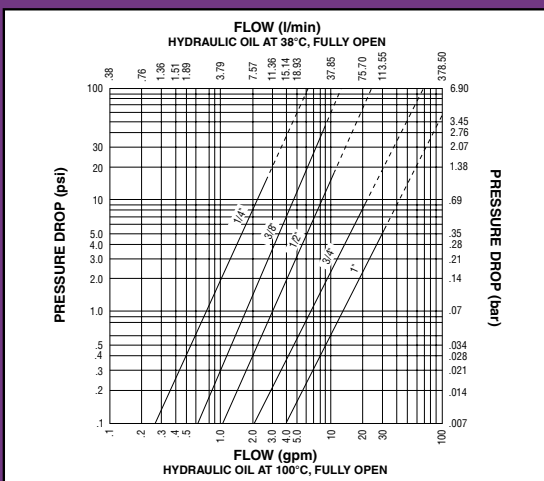
Poppet style – soft seat
Steel or stainless steel construction; other materials available
Flow rates to 175 gpm (662 l/min)
SAE, NPSF, NPT, BS 2779 & ORS end fittings available
Up to 6000 psi (414 bar) working pressure - 1/4", 3/8", 1/2", 3/4" & 1"
Up to 3000 psi (207 bar) working pressure - 1-1/4", 1-1/2" & 2"

Features
 These soft seat (virtual zero leak), with guided poppet valves offer a wide variety of end fitting configurations and elastomers and the option of 316 stainless steel construction. These options enable a valve to be configured to meet the needs of any system. Snap-tite's versatile 6C/3C Inline Check Valves are designed with a 4:1 safety factor at a maximum working pressure of 6000 psi (414 bar) making them ideal for any application.



***Dimensions and Specifications**

Size	1/4"	3/8"	1/2"	3/4"	1"	1-1/4"	1-1/2"	2"
Hex	In.	.75	1.12	1.25	1.62	1.88	2.00	3.25
	mm	19.05	28.45	31.75	41.15	47.75	50.80	82.55
Length	In.	2.82	3.38	3.73	4.91	6.07	5.76	7.28
	mm	71.60	85.85	94.75	124.70	154.20	146.30	184.90
Cv		.45	1.80	3.40	7.40	9.50	12.30	21.80
Weight	lbs.	.29	.81	1.20	2.05	3.40	3.75	7.80
	kg.	.13	.37	.54	.93	1.54	1.70	3.54
Flow	gpm	3.00	8.00	12.00	20.00	30.00	90.00	175.00
	l/min.	11.40	30.30	45.45	75.70	113.55	340.65	662.40



Note: Gallons shown are in U.S. gallons.

*Dimensions shown are for NPTF ported valves; for other end fitting configurations consult factory.

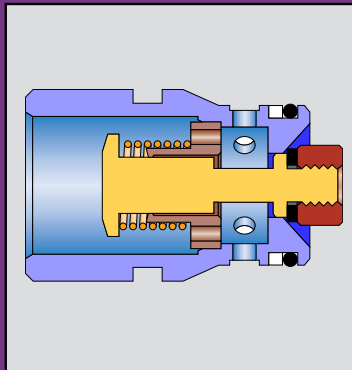
CPC Check Valve Cartridge



3500 psi (241 bar) working pressure
Flow rates to 50 gpm (189 l/min)
Steel Construction
Three standard spring pressures
Three sizes based on flow

Features

Designed for hydraulic circuit applications where virtually zero leakage in the check direction is required. The drop-in cartridge design with soft poppet seal of molded nylon is available in three sizes with flow ratings of 10 gpm (38 l/min), 25 gpm (95 l/min), and 50 gpm (189 l/min) respectively.



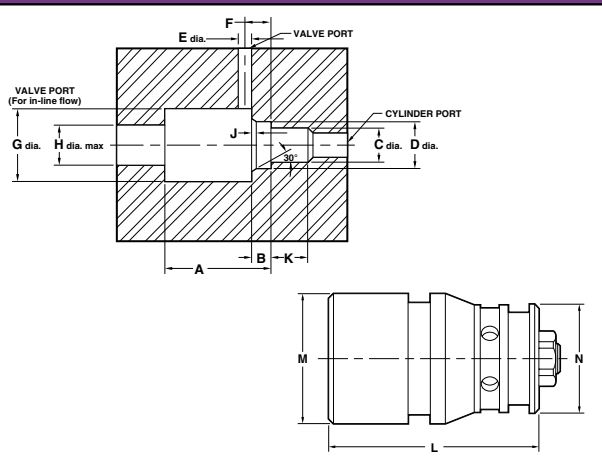
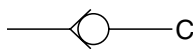
*Dimensions and Specifications

Model		A	B	C	D	E	F	G	H	J	K	L	M	N
CPC 10	In.	1.204	.248	.500	.629/.625	.250	.390	.745/.750	.437	.030	.300	1.20	.74	.62
	mm	30.6	6.3	12.7	16.0/15.9	6.4	9.9	18.9/19.0	11.0	.76	7.6	30.5	18.8	15.7
CPC 25	In.	1.776	.230	.680	.879/.875	.531	.520	1.004/1.000	.500	.025	.400	1.78	.99	.87
	mm	45.1	5.8	17.3	22.3/22.2	13.5	13.2	25.5/25.4	12.7	.64	10.2	45.2	25.1	22.1
CPC 50	In.	2.291	.284	1.060	1.316/1.312	.592	.600	1.504/1.500	1.000	.025	.476	2.29	1.49	1.30
	mm	58.2	7.2	26.9	33.4/33.3	15.1	15.2	38.2/38.1	25.4	.64	12.1	58.2	37.8	33.0

^Notes:

- Decimal dimensions are +/- .015 in. (.38 mm).
- Ratings, specifications, and dimensions are subject to change without notice.
- Part configurations are typical and do not necessarily represent actual appearance.
- Consult factory for certified cavity drawing.

CPC Flow Direction:



Note: Gallons shown are in U.S. gallons.

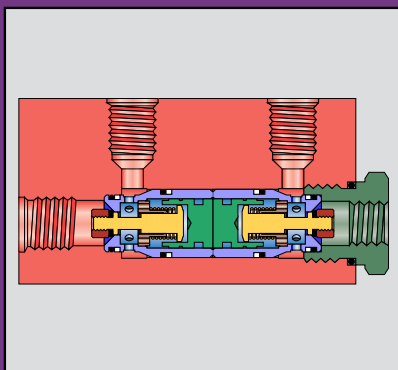
^Applies to all Cartridge Check Valve styles.

CAD Dual Pilot Check Valve



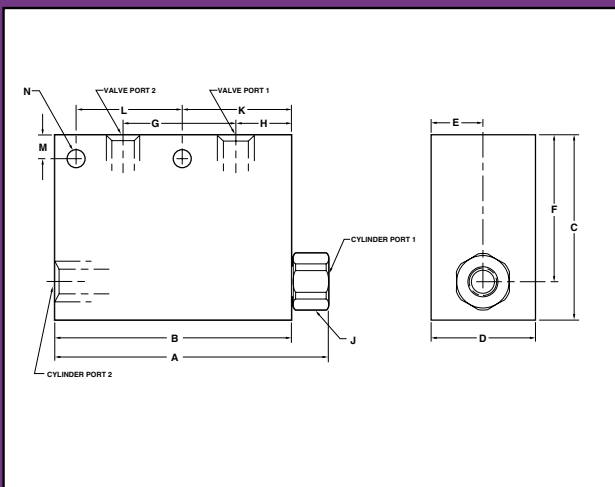
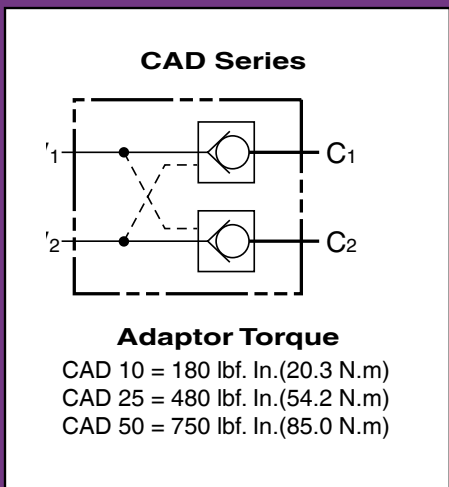
3500 psi (241 bar) 5000 psi (345 bar)
intermittently
Flow rates to 50 gpm (189 l/min)
Anodized aluminum blocks, plated steel
cartridges
Three standard spring pressures
Three sizes based on flow
Pilot ratio - 4:1

Features
 The CAD dual pilot check valve features two CAC check cartridges in a single red anodized aluminum housing with standard ports to 1" in NPSF or SAE o-ring sealed. Flow into one of the valve ports is blocked until pressure overcomes the poppet spring. When the poppet is unseated, flow is permitted to the actuator; simultaneously the pilot piston on the actuated side unseats the opposite poppet to permit return flow through the valve.



***Dimensions and Specifications**

Model		A	B	C	D	E	F	G	H	J	K	L	M	N
CAD 10 1/4" & 3/8"	In.	3.96	3.59	2.00	1.25	.63	1.38	1.65	.68	1.00	1.50	1.62	.50	.34
	mm	100.6	91.2	50.8	31.8	16.0	35.1	41.9	17.3	25.4	38.1	41.1	12.7	8.6
CAD 10 1/2"	In.	4.60	3.59	2.00	1.25	.63	1.38	1.65	.68	1.00	1.50	1.62	.50	.34
	mm	116.8	91.2	50.8	31.8	16.0	35.1	41.9	17.3	25.4	38.1	41.1	12.7	8.6
CAD 25 3/8", 1/2", 3/4"	In.	5.78	5.21	2.00	1.50	.75	1.25	2.60	.86	1.19	2.15	2.56	.30	.41
	mm	146.8	132.3	50.8	38.1	19.0	31.8	66.0	21.8	30.2	54.6	65.0	7.6	10.4
CAD 25 3/4 SAE	In.	6.33	5.21	2.50	1.50	.75	1.75	2.59	.85	1.38	2.15	2.56	.30	.41
	mm	160.8	132.3	63.5	38.1	19.0	44.5	65.8	21.6	35.1	54.6	65.0	7.6	10.4
CAD 50	In.	7.13	6.24	3.00	2.00	1.00	2.00	3.46	.98	1.75	2.75	3.00	.50	.41
	mm	181.1	158.5	76.2	50.8	25.4	50.8	87.9	24.9	44.5	69.9	76.2	12.7	10.4



Note: Gallons shown are in U.S. gallons.

*Dimensions shown are for NPTF ported valves; for other end fitting configurations consult factory.

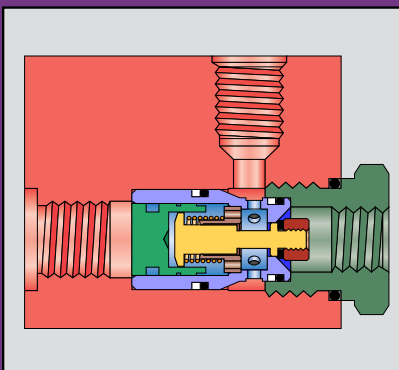
CAV Single Pilot Check Valve



3500 psi (241 bar), 5000 psi (345 bar) intermittently
 Flow rates to 50 gpm (189 l/min)
 Anodized aluminum blocks, plated steel cartridges
 Three standard spring pressures
 Three sizes based on flow
 Pilot ratio - 4:1

Features

The CAV single pilot check valve contains a standard CAC cartridge in a red anodized aluminum block with NPSF or SAE porting to 1". Units are available with three standard cracking pressures of 15 psi (1 bar), 25 psi (1.7 bar), or 60 psi (4 bar).



*Dimensions and Specifications

Model		A	B	C	D	E	F	G	H	J	K	L	M
CAV 10 1/4" & 3/8"	IN.	2.77	2.40	2.00	1.25	.63	1.38	.69	1.00	1.50	.65	.50	.34
	MM	70.4	61.0	50.8	31.8	16.0	35.1	17.5	25.4	38.1	16.5	12.7	8.6
CAV 10 1/2"	IN.	3.41	2.40	2.00	1.25	.63	1.38	.69	1.00	1.50	.65	.50	.34
	MM	86.6	61.0	50.8	31.8	16.0	35.1	17.5	25.4	38.1	16.5	12.7	8.6
CAV 25 3/8", 1/2", 3/4"	IN.	3.73	3.15	2.00	1.50	.75	1.25	.86	1.19	1.80	1.00	.30	.41
	MM	94.7	80.0	50.8	38.1	19.0	31.8	21.8	30.2	45.7	25.4	7.6	10.4
CAV 25 3/4 SAE	IN.	4.55	3.43	2.50	1.50	.75	1.75	.85	1.38	1.88	1.25	.75	.41
	MM	115.6	87.1	63.5	38.1	19.0	44.5	21.6	35.1	47.8	31.8	19.0	10.4
CAV 50	IN.	4.55	3.65	3.00	2.00	1.00	2.00	.96	1.75	2.25	1.00	.50	.41
	MM	115.6	92.7	76.2	50.8	25.4	50.8	24.4	44.5	57.2	25.4	12.7	10.4

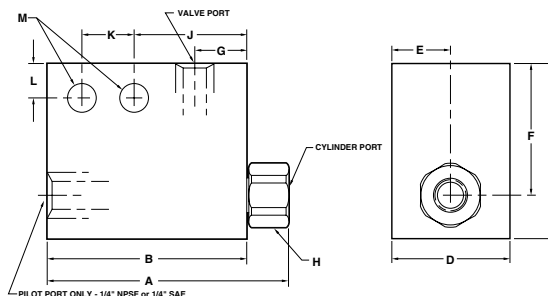
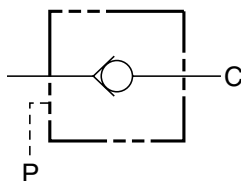
Adaptor Torque

CAV 10 = 180 lbf. In. (20.3 N.m)

CAV 25 = 480 lbf. In. (54.2 N.m)

CAV 50 = 750 lbf. In. (85.0 N.m)

Flow Direction:



Note: Gallons shown are in U.S. gallons.

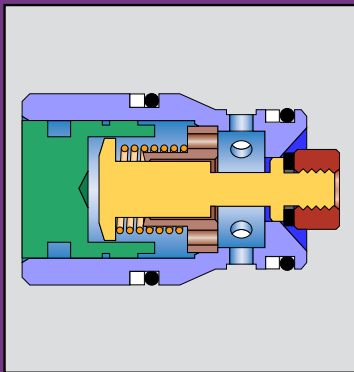
†Applies to all Inline Check Valve styles.

CAC Pilot Check Valve Cartridge



3500 psi (241 bar) working pressure,
5000 psi (345 bar) intermittently
Flow rates to 50 gpm (189 l/min)
Steel Construction
Three standard spring pressures
Pilot ratio - 4:1
Air Pilot option available

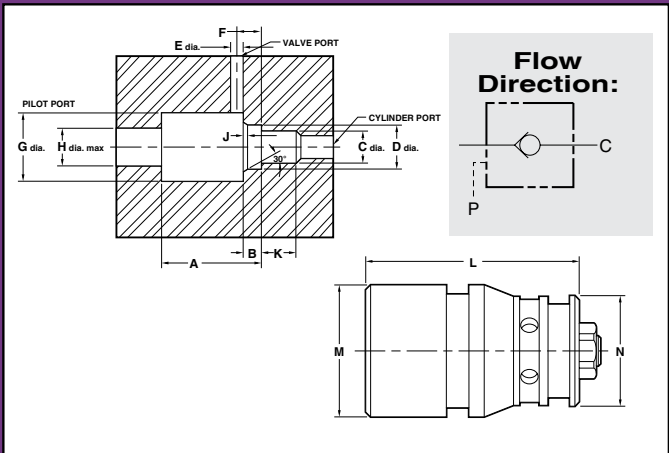
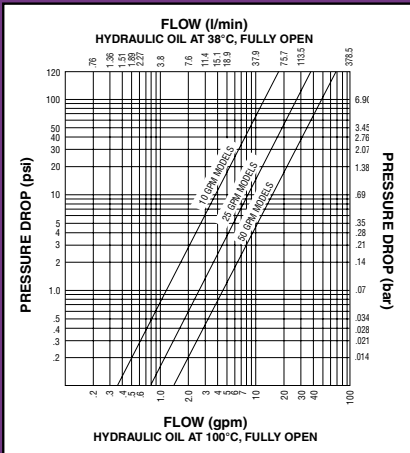
Features
 Designed for use in hydraulic circuits requiring less than 1 DPM leakage. These drop-in cartridge valves lock an actuator or part of a circuit until pilot pressure is applied. Features include durable molded nylon poppet seal, damping port in poppet guide, hardened steel body and poppet.



***Dimensions and Specifications**

Model		A	B	C	D	E	F	G	H	J	K	L	M	N
CAC 10	IN.	1.204	.248	.500	.629/.625	.250	.390	.745/.750	.437	.030	.300	1.20	.74	.62
	MM	30.6	6.3	12.7	16.0/15.9	6.4	9.9	18.9/19.0	11.0	.76	7.6	30.5	18.8	15.7
CAC 25	IN.	1.776	.230	.680	.879/.875	.531	.520	1.004/1.000	.500	.025	.400	1.78	.99	.87
	MM	45.1	5.8	17.3	22.3/22.2	13.5	13.2	25.5/25.4	12.7	.64	10.2	45.2	25.1	22.1
CAC 50	IN.	2.291	.284	1.060	1.316/1.312	.592	.600	1.504/1.500	1.000	.025	.476	2.29	1.49	1.30
	MM	58.2	7.2	26.9	33.4/33.3	15.1	15.2	38.2/38.1	25.4	.64	12.1	58.2	37.8	33.0

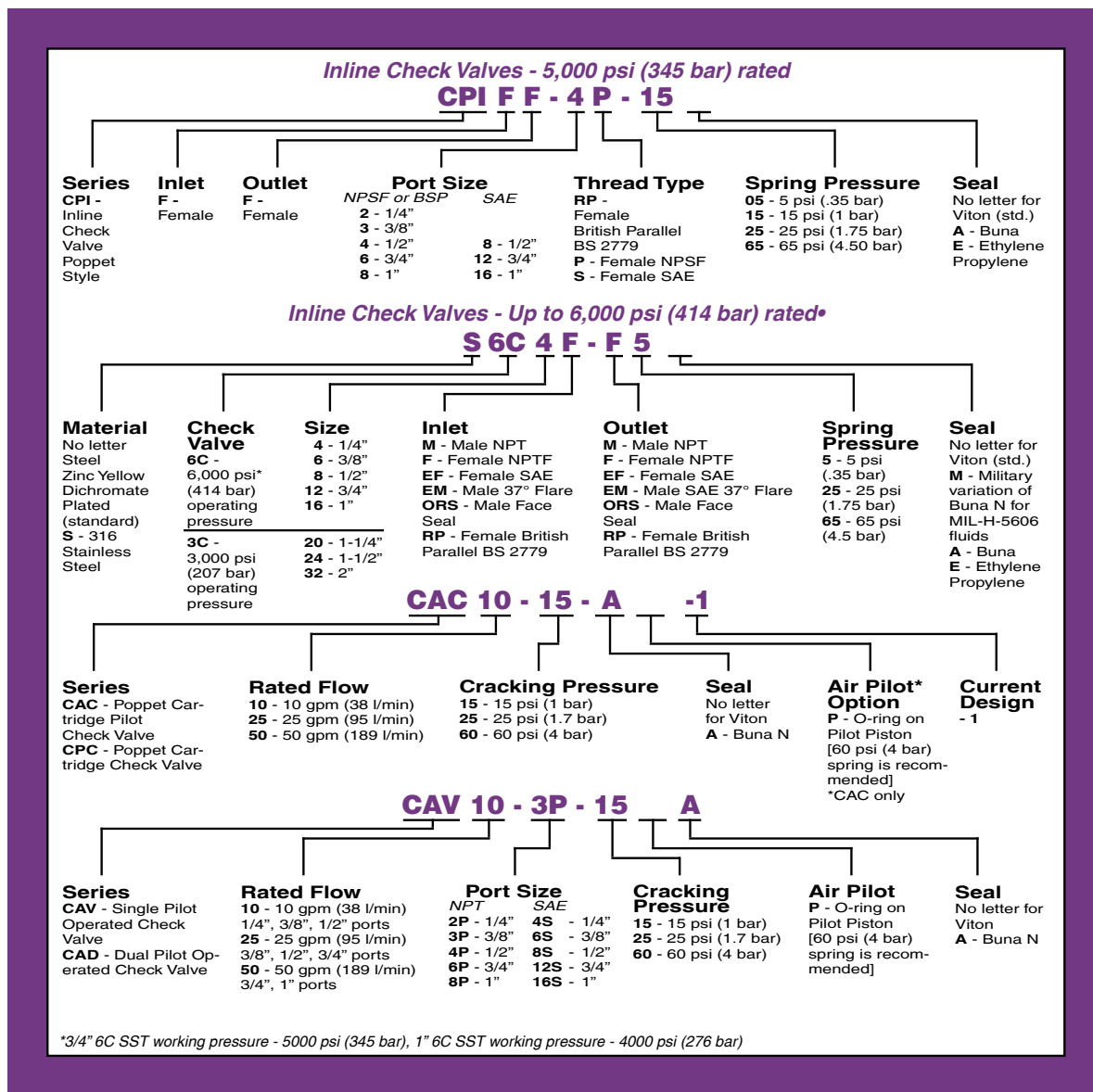
CPC/CAC Pressure Drop



Note: Gallons shown are in U.S. gallons.

*Dimensions shown are for NPTF ported valves; for other end fitting configurations consult factory.

Ordering Information



! WARNING !

FAILURE OR IMPROPER SELECTION OR IMPROPER USE OF THE PRODUCTS AND/OR SYSTEMS DESCRIBED HEREIN OR RELATED ITEMS CAN CAUSE DEATH, PERSONAL INJURY AND PROPERTY DAMAGE.

This document and other information from Snap-tite, Inc., its subsidiaries and authorized distributors provide product and/or system options for further investigation by users having technical expertise. It is important that you analyze all aspects of your application and review the information concerning the product or system in the current product catalog. Due to the variety of operation conditions and applications for these products or systems, the user, through its own analysis and testing, is solely responsible for making the final selection of the products and systems and assuring that all performance, safety and warning requirements of the application are met.

The products described herein, including without limitation, product features, specifications, designs, availability and pricing, are subject to change by Snap-tite, Inc. and its subsidiaries at any time without notice.



COMPONENTS, INC.
Quick Disconnect & Valve Division
201 Titusville Road
Union City, Pennsylvania 16438-8699 USA
PH: 814-438-3821 FAX: 814-438-3069
e-mail: qd&v_sales@snap-tite.com
www.snap-tite.com



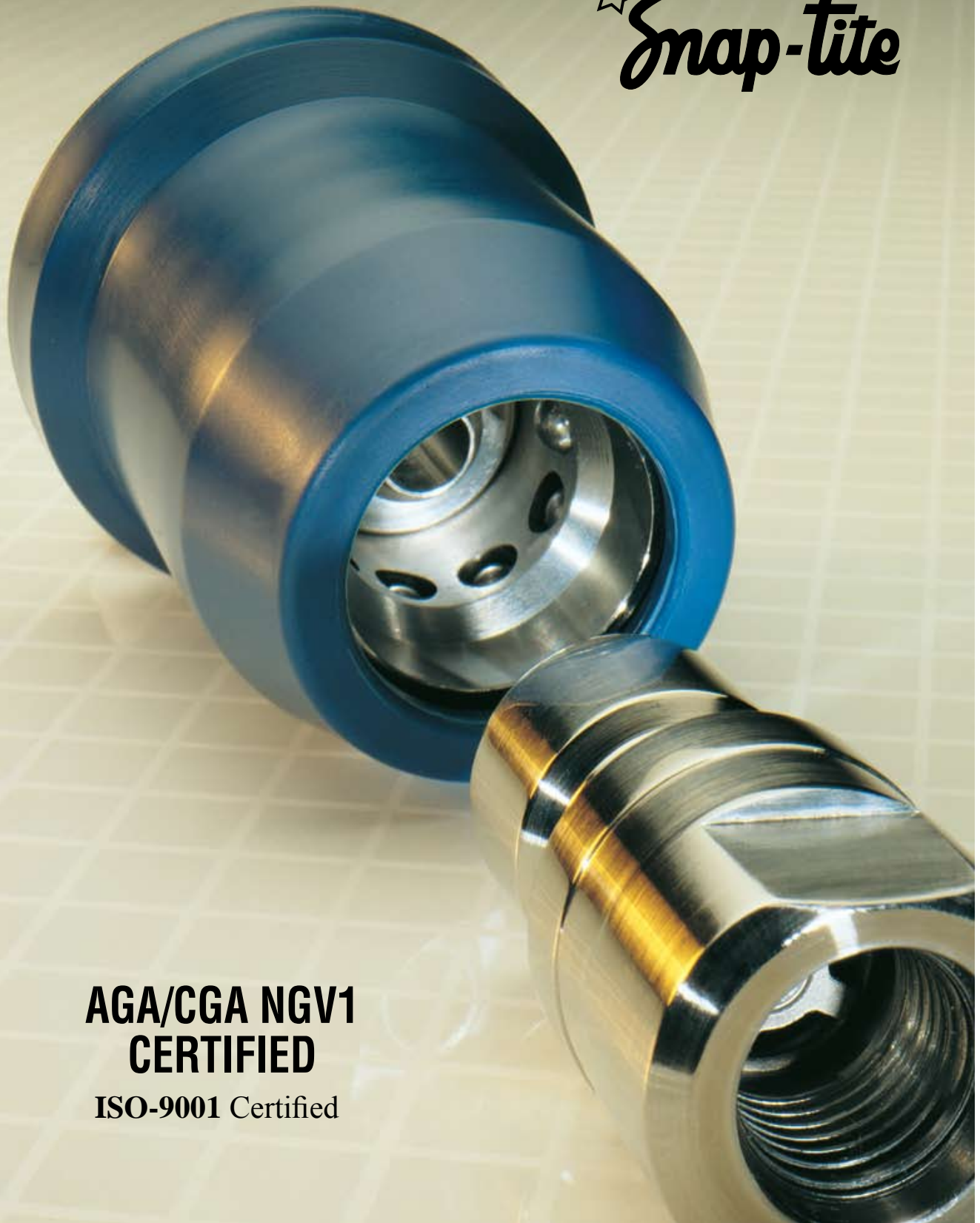
EUROPE
Industrial Estate
Whitemill - Wexford
Republic of Ireland
PH: 353 53 914 1566 FAX: 353 53 914 1582
e-mail: ste_sales@snap-tite.com
www.snap-tite.com

Distributed by:

ISO-9001 Certified

Compressed Natural Gas Vehicle Fueling Products

 **Snap-Tite**



**AGA/CGA NGV1
CERTIFIED**

ISO-9001 Certified



Snap-tite offers a full line of NGV1 fueling products.


"A World Class Tradition of Quality"

Snap-tite ... Quality, Safety, Ingenuity

Founded over 65 years ago, Snap-tite has grown into a corporation producing over 50 product lines in 8 facilities located in the United States and Europe. Starting in the mid 1930's and continuing through the latest developments, Snap-tite is widely recognized for its role in problem solving for the military, aerospace, electronic cooling, mobile equipment, offshore oil and gas, and natural gas appliance industries to name a few.

Snap-tite has taken its expertise in design and manufacturing to develop products for the compressed natural gas vehicle (NGV) market.

Snap-tite's receptacles and patented nozzles fully comply with and are certified to the ANSI/AGA/CGA NGV1 Standard for Compressed Natural Gas Vehicles (NGV) fueling connection devices. Snap-tite has become the first to offer a range of certified products to the market. The test was performed by Snap-tite (in AGA certified Test Lab) and certified by the American Gas Association (AGA).

Snap-tite has been striving for the highest quality standards since our first involvement in the space program in the early fifties. Snap-tite believes in continuous improvement in all aspects of our operation from design and manufacturing to customer service. Through a great deal of dedication and hard work, all of Snap-tite's divisions have become ISO-9001 Certified.

Safety is a prime concern to Snap-tite. Snap-tite has designed a feature into the nozzle that makes it the safest design available. **The nozzle cannot be manually disconnected from the receptacle while under internal pressure greater than 350 psi (24 bar).** Snap-tite has done extensive testing of numerous designs and demonstrated a very unsafe condition with respect to "kick back" of the nozzle which can cause personal injury when disconnected at internal pressures greater than 350 psi (24 bar). In addition, this can cause a "washout" of the receptacle seal. An operator may not know of this failure and when a nozzle is again connected to the receptacle excessive leakage occurs with the possibility of a fire or explosion. This feature of the Snap-tite nozzle exceeds the requirements of the NGV1 specification and has been assigned a world wide patent.

Snap-tite NGV1 Fueling Nozzle (Type 2 & 3 Class A & B)



Snap-tite's nozzle is designed specifically for the transfer of compressed natural gas (CNG) to natural gas vehicles.

This nozzle can be used for fast fill or time fill in a self depressurizing fueling system or in conjunction with a 3-way valve attached.

Snap-tite's nozzle also allows complete interchangeability to any receptacle conforming to the NGV1 requirements.

Features

Lightweight – .96 lbs. (.435 kgs)

The bumper is made of a durable polyurethane to reduce wear and damage to vehicles and to protect the user from the cold temperature of the nozzle

The bumper is designed for rugged use, it protects the front engagement bore and provides a very comfortable grip when connecting or disconnecting

Color coded bumper visually identifies the service pressure – blue for 3,000 psi (207 bar), yellow for 3,600 psi (248 bar)

Connects with single handed operation by pushing together

Disconnects with single handed operation by pulling back on the polyurethane bumper

The Snap-tite patented nozzle cannot be manually disconnected from the receptacle at an internal pressure greater than 350 psi (24 bar)

High reliability ball locking

Poppet valve prevents the inadvertent flow of gas when the nozzle is disconnected

Keying system prevents higher pressure nozzle from connecting onto lower pressure receptacle

Nozzles available in either 316 Stainless Steel

When connected to the receptacle the nozzle body extends over the outside diameter of the receptacle thus providing an excellent length to diameter ratio (L/D)

All materials utilized by Snap-tite guarantee a very weather resistant device considering ambient temperature, solar radiation, humidity, atmospheric toxins and airborne salt

Certification: ANSI/AGA/CGA NGV1

Working Pressure: 3000 psi (207 bar) and
3600 psi (248 bar)

Burst Pressure:
Stainless Steel: 20,000 psi
(1379 bar)

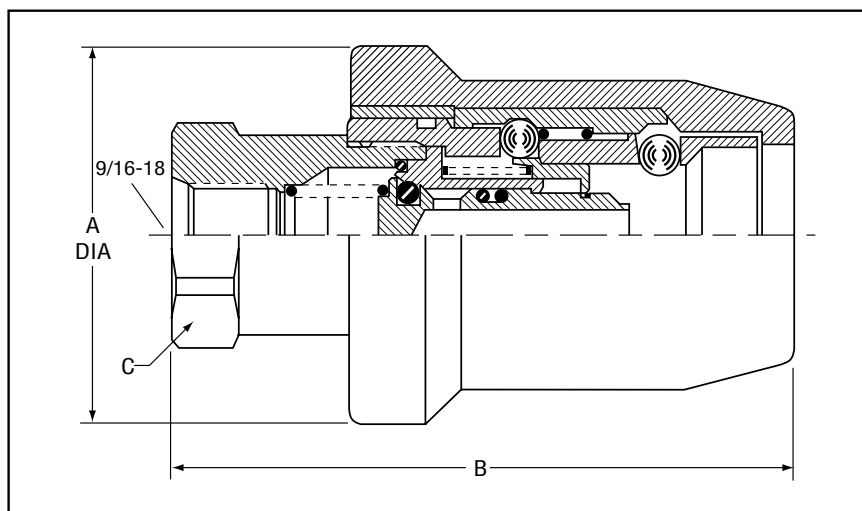
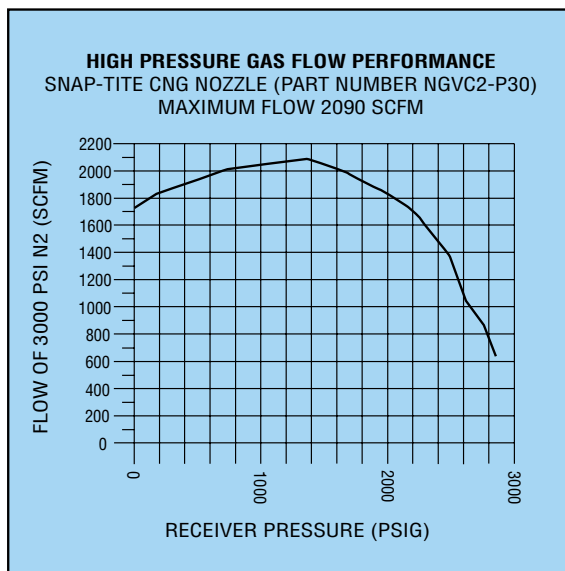
Temperature Range: -40°F (-40°C) to
185°F (80°C)

Weight: .96 lbs. (.435 kgs)

Flow Rate: 2090 SCFM (3551 Nm³/hr)

Material: 316 Stainless Steel

Speed of Fill: 16 seconds to fill a 14.5 US
gallon (54.92 liters) container
from 0 to 3,000 psi (207 bar)



PART NUMBER	A	B	C HEX
*NGVC2-P**	2.13 (54.10)	3.51 (90)	1-1/8 (28.60)

See Page 16 (How to Order)

in (mm)

Pressure or material does not effect dimensions.

Snap-tite NGV1 Fueling Receptacle



Snap-tite's receptacle is designed for permanent mounting to a natural gas vehicle (CNG).

Snap-tite's receptacle utilizes the NGV1 Profile which allows complete interchangeability to any nozzle conforming to the NGV1 standard.

Features

Superior poppet check valve design:

- a) Polyurethane crimped seal to eliminate erosion and washout
- b) Non-barrel type poppet to reduce sticking due to contamination and icing between the outside diameter of the valve and the inside diameter of the body bore
- c) Self-centering capability of the poppet

One-piece receptacle design

High strength 316 Stainless Steel valve stop to provide a positive stop for the valve

Superior flow characteristics

Available in either 316 Stainless Steel

Certification: ANSI/AGA/CGA NGV1

Working Pressure: 3000 psi (207 bar) and
3600 psi (248 bar)

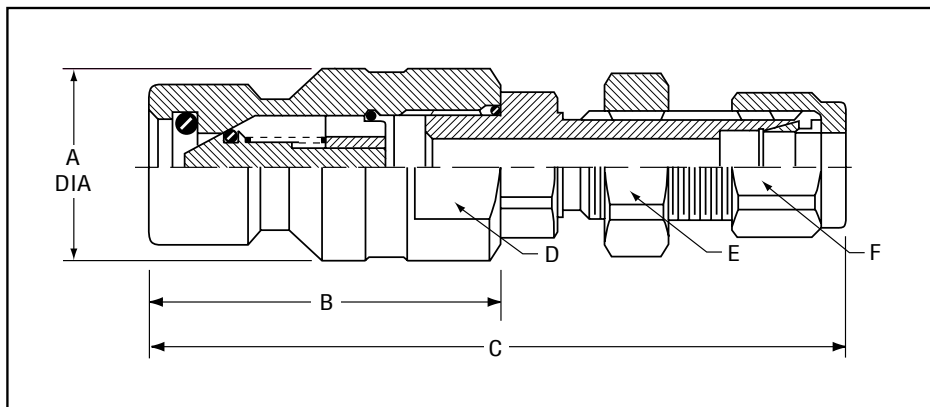
Burst Pressure:
Stainless Steel: 25,000 psi (1724 bar)

Temperature Range: -40°F (-40°C) to 250°F (121°C)

Weight: .21 lbs (.095 kgs)

Flow Rate: 2090 SCFM (3551 Nm³/hr)

Material: 316 Stainless Steel



PART NUMBER	A	B	C	D FLATS	E HEX	F HEX
NGVN2-P30	.984 (25)	1.78 (45.20)		13/16 (20.60)		
NGVN2-P36	.945 (24)	1.78 (45.20)		13/16 (20.60)		
NGVN3-P30	.984 (25)	1.78 (45.20)	3.40 (86.40)	13/16 (20.60)	11/16 (17.50)	9/16 (14.30)
NGVN3-P36	.945 (24)	1.78 (45.20)	3.40 (86.40)	13/16 (20.60)	11/16 (17.50)	9/16 (14.30)
NGVN4-P30	.984 (25)	1.78 (45.20)	3.53 (89.70)	13/16 (20.60)	3/4 (19.10)	11/16 (17.50)
NGVN4-P36	.945 (24)	1.78 (45.20)	3.53 (89.70)	13/16 (20.60)	3/4 (19.10)	11/16 (17.50)

See Page 16 (How to Order)

in (mm)

Snap-tite NGV1 Profile High Flow Receptacle



Snap-tite's high flow receptacles are designed for permanent mounting to heavy duty natural gas vehicles (CNG).

Snap-tite's high flow receptacle utilizes the NGV1 profile which allows complete interchangeability to any nozzle conforming to the NGV1 standard.

Features

Heavy duty construction

Superior poppet check valve design prevents gas flow when the nozzle is disconnected

Leak free regardless of temperature and pressure

Connects to any NGV1 compliant nozzle

Quick and efficient performance

Excellent flow characteristics

Polyurethane crimped seal eliminates erosion and washout

Working Pressure: 3000 psi (207 bar) and
3600 psi (248 bar)

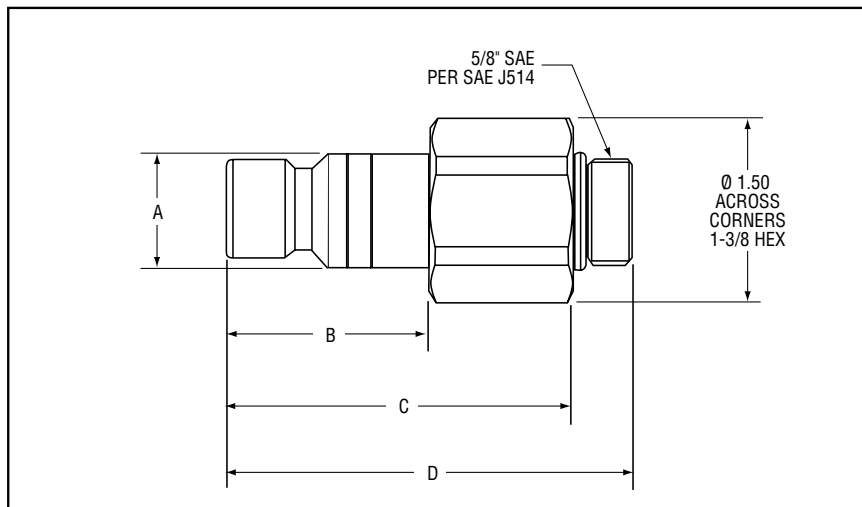
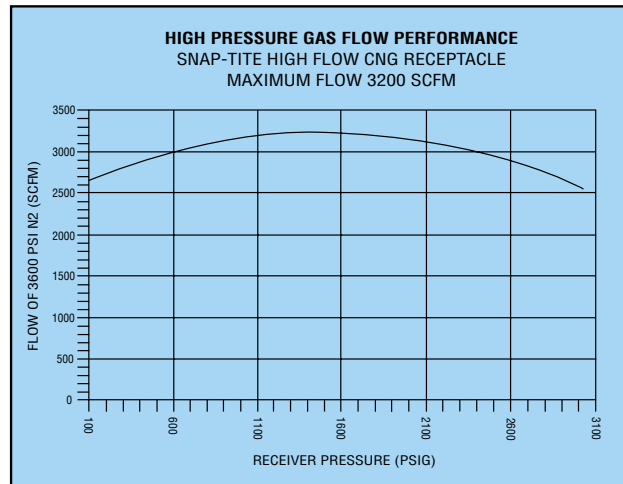
Burst Pressure: 25,000 psi (1724 bar)

Temperature Range: -40°F (-40°C) to
250°F (121°C)

Weight: .70 lbs. (.32 kgs)

Flow Rate: 3200 SCFM (5400 Nm³/hr)

Material: 316 Stainless Steel



PART NUMBER	A	B	C	D
HNGVN5-P30	.984 (25)	1.69 (43)	2.88 (73.2)	3.38 (85.9)
HNGVN5-P36	.945 (24)	1.69 (43)	2.88 (73.2)	3.38 (85.9)

See Page 16 (How to Order)

in (mm)

Compressed Natural Gas (CNG) Inline Hose Breakaway



Snap-tite's inline breakaway is designed specifically for compressed natural gas fueling systems. When properly installed, this inline breakaway allows for the safe disconnection from the fueling system without damage to the dispenser in the event of an accidental disconnect (drive-off). The inline breakaway was designed to replace the traditional tripod leverage towers used in conjunction with the ISO B style coupling as the breakaway connection for the fueling hose from the dispenser.

Features

Corrosive resistant stainless steel (303 & 316) construction

Nipple is equipped with durable polyethylene bumper to protect the nipple form in the event of a breakaway

Disconnect force: 60-140 lbs. (266.9 – 622.7 N) at any pressure up to operating

Superior flow characteristics

Compact envelope

Balanced design assures positive connection until a breakaway cycle is required

Lightweight design - .95 lbs. (.431 kgs)

Easy installation

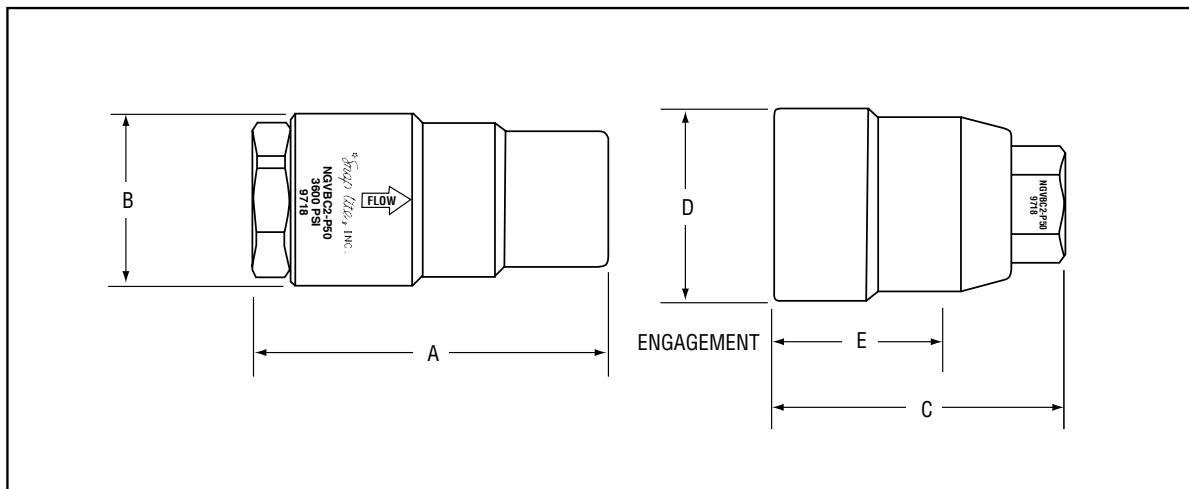
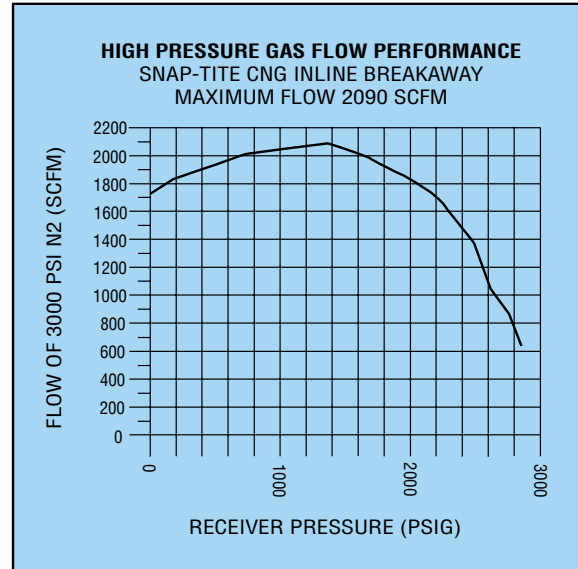
Reusable following breakaway with minimal repair

Working Pressure: 3600 psi (248 bar)
Burst Pressure: 20,000 psi (1379 bar)
Temperature Range: -40°F (-40°C) to 150°F (66°C)

Weight: .95 lbs (.431 kgs)

Flow Rate: 2090 SCFM (3551 Nm³/hr)

Material: 303 & 316 Stainless Steel



PART NUMBER	A	B	C	D	E
*NGVBCN2-P50NR	2.79 (70.87)	1.38 (35.05)	2.28 (57.91)	1.53 (38.86)	1.34 (34.04)
*NGVBCN2-P50	2.79 (70.87)	1.38 (35.05)	2.28 (57.91)	1.53 (38.86)	1.34 (34.04)

*Nipple type is determined by customer's system. If system has a separate vent line, use part number **NGVBCN2-P50NR** in (mm) (non-relieving). If system vents back through supply hose, use part number **NGVBCN2-P50**. Above part numbers will provide a complete unit consisting of one coupler and one nipple.*

Snap-tite Compressed Natural Gas (CNG) Check Valves



Snap-tite's Check Valve is designed specifically for zero leakage control of compressed natural gas (CNG). Free flow in one direction and blocked flow in the reverse.

This Check Valve utilizes the same internal construction and parts as the Snap-tite NGV1 Receptacle.

Features

Superior poppet check valve design:

- a) Polyurethane crimped seal to eliminate erosion and washout
- b) Non-barrel type poppet to reduce sticking due to contamination and icing between the outside diameter of the valve and the inside diameter of the body bore
- c) Self-centering capability of the poppet

One-piece body design

High strength 316 Stainless Steel valve stop to provide a positive stop for the valve

Superior flow characteristics

316 Stainless Steel construction

Certification: AGA 7-93

Working Pressure: 3600 psi (248 bar)

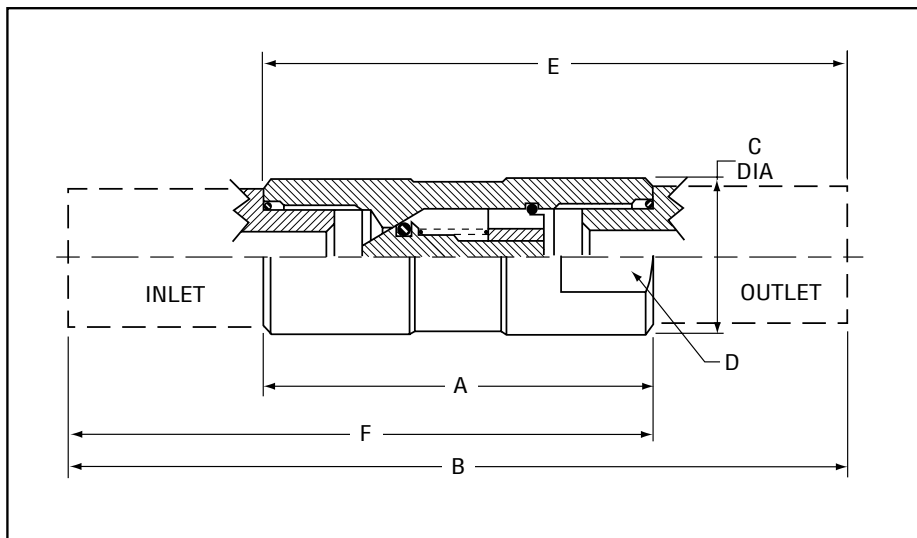
Burst Pressure: 25,000 psi (1724 bar)

Temperature Range: -40°F (-40°C) to 250°F (121°C)

Weight: .235 lbs (0.107 kgs)

Flow Rate: 2090 SCFM (3551 Nm³/hr)

Material: 316 Stainless Steel



PART NUMBER	A	B	C	D FLATS	E	F
NGCV6EF-EF	2.14 (54.40)		.86 (21.80)	3/4 (19.10)		
NGCV4A-4A	2.14 (54.40)	4.14 (105.20)	.86 (21.80)	3/4 (19.10)		
NGCV6A-6A	2.14 (54.40)	4.29 (108.10)	.86 (21.80)	3/4 (19.10)		
NGCV6EF-4A	2.14 (54.40)		.86 (21.80)	3/4 (19.10)	3.14 (79.80)	
NGCV6EF-6A	2.14 (54.40)		.86 (21.80)	3/4 (19.10)	3.22 (81.80)	
NGCV6MOS-EF	2.14 (54.40)		.86 (21.80)	3/4 (19.10)		2.81 (71.40)

See Page 16 (How to Order)

in (mm)

Compressed Natural Gas (CNG) Coupling



Snap-tite's 72 Series may be used in a break-away harness for compressed natural gas (CNG) fueling systems due to the "superior poppet sealing" designed specifically for compressed natural gas. These couplings feature superior pressure and flow characteristics over other manufacturers while meeting or exceeding the ISO-7241-1 Series B specifications.

Features

Corrosive resistant stainless steel (303) construction

Meets or exceeds ISO-7241-1 Series B

Superior poppet valve design:

- a) Polyurethane crimped seal to eliminate erosion and washout
- b) Self-centering capability of the poppet

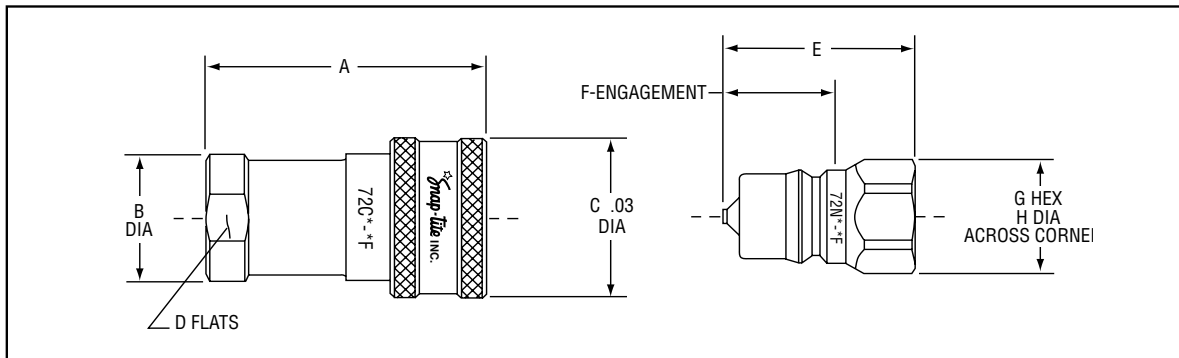
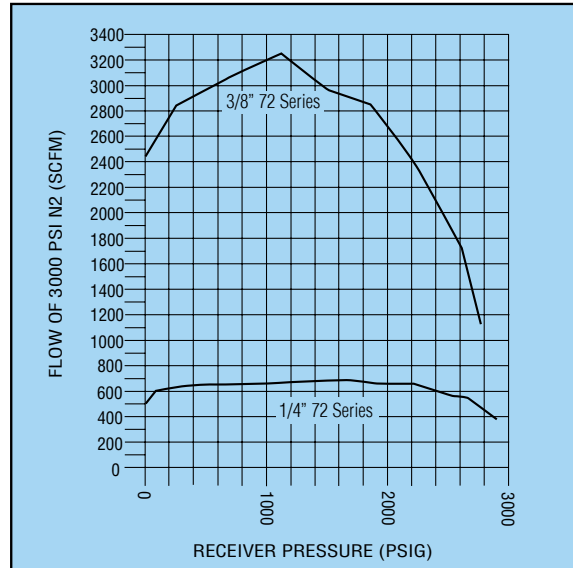
Superior flow characteristics

Proven ball-lock design

Certification: Texas Railroad Commission

Temperature Range: -40°F (-40°C) to 250°F (121°C)

Material: 303 Stainless Steel



SIZE	A	B	C	D	E	F	G	H
1/4	2.25 (57.15)	.88 (22.35)	1.12 (28.45)	.75 (19.05)	1.51 (38.35)	.95 (24.13)	.75 (19.05)	.83 (21.08)
3/8	2.57 (65.28)	1.13 (28.70)	1.37 (34.80)	1.00 (25.40)	1.74 (44.20)	1.13 (28.70)	.88 (22.35)	.96 (24.38)

in (mm)

PART NUMBER	COUPLING HALF	END FITTING	WORKING PRESSURE	BURST PRESSURE
S72C4-4F UR	COUPLER	1/4 NPTF	5500 PSI (379 BAR)	22,000 PSI (1517 BAR)
S72N4-4F UR	NIPPLE	1/4 NPTF	5500 PSI (379 BAR)	22,000 PSI (1517 BAR)
S72C6-6F UR	COUPLER	3/8 NPTF	3750 PSI (259 BAR)	15,000 PSI (1035 BAR)
S72N6-6F UR	NIPPLE	3/8 NPTF	3750 PSI (259 BAR)	15,000 PSI (1035 BAR)

How to Order

Nozzles and Receptacles**

PART NUMBER

B
NGV
N
2-
P30

	MATERIAL	SERIES	COUPLING HALF	END FITTING	WORKING PRESSURE
H*	NO LETTER – 316	NGV	C – NOZZLE	2 – 3/8 FEMALE SAE (9/16 - 18)	P30 – 3000 PSI
HIGH	STAINLESS STEEL		N – RECEPTACLE	3 – 1/4 TUBE DOUBLE FERRULE BULKHEAD	(207 BAR)
FLOW				4 – 3/8 TUBE DOUBLE FERRULE BULKHEAD	P36 – 3600 PSI
				5* – 5/8 MALE O-RING SEAL (7/8-14)	(248 BAR)

*Available option for 316 stainless steel receptacle only.

Natural Gas Check Valves**

PART NUMBER

NGCV
6EF-
6EF

SERIES	INLET END FITTING	OUTLET END FITTING
NGCV	6EF – 3/8 FEMALE SAE (9/16 - 18)	6EF – 3/8 FEMALE SAE (9/16 - 18)
	6MOS – 3/8 MALE O-RING SEAL (9/16 - 18)	6MOS – 3/8 MALE O-RING SEAL (9/16 - 18)
	4A – 1/4 TUBE DOUBLE FERRULE	4A – 1/4 TUBE DOUBLE FERRULE
	6A – 3/8 TUBE DOUBLE FERRULE	6A – 3/8 TUBE DOUBLE FERRULE

**Consult factory for: Additional end fitting requirements or filter requirements

Accessories

PART NUMBER	DESCRIPTION
NGVNC	RECEPTACLE DUST CAP
NGVND	STORAGE RECEPTACLE DUMMY

! WARNING !

FAILURE OR IMPROPER SELECTION OR IMPROPER USE OF THE PRODUCTS AND/OR SYSTEMS DESCRIBED HEREIN OR RELATED ITEMS CAN CAUSE DEATH, PERSONAL INJURY AND/OR PROPERTY DAMAGE.

This document and other information from Snap-tite, Inc., its subsidiaries and authorized distributors, provides product and/or system options for further investigation by users having technical expertise. It is important that you analyze all aspects of your application and review the information concerning the product or system in the current product catalog. Due to the variety of operation conditions and applications for these products or systems, the user, through its own analysis and testing, is solely responsible for making the final selection of the products and systems and assuring that all performance, safety and warning requirements of the application are met.

The products described herein, including without limitation, product features, specifications, designs, availability and pricing, are subject to change by Snap-tite, Inc. and its subsidiaries at any time without notice.



Quick Disconnect & Valve Division
 201 Titusville Road
 Union City, Pennsylvania 16438-8699 USA
 PH: 814-438-3821 FAX: 814-438-3069
 e-mail: qd&v_sales@snap-tite.com
www.snap-tite.com

01-0024BE-1203



Industrial Estate
 Whitemill - Wexford
 Republic of Ireland
 PH: 353 53 914 1566 FAX: 353 53 914 1582
 e-mail: ste_sales@snap-tite.com
www.snap-tite.com

DISTRIBUTED BY:

ISO-9001 Certified

 **Snap-tite**

**MULTI-COUPLING
PANEL**



FOR ALL INDUSTRIES
Automotive - Machine Tool
Plastic - Offshore - Petro Chemical
Aircraft Engine Test - Medical

COUPLINGS

BN SERIES



Features:

- Balanced dry-break
- Designed to minimize end thrust under system pressure; permits the use of lighter weight plates
- Connectable under static pressure to 250 psi (17 bar)
- Low separation forces
- Eliminates the necessity of expensive locking mechanisms
- Virtually zero spillage and air inclusion
- Unique flush face valve design prevents sediment build-up in sub-sea applications
- Wide range of seal materials to handle any application

Pressures:

To 10,000 psig (690 bar)

Sizes:

3/8", 1/2" and 3/4"

Material:

Stainless steel

Shut-off Combination:

Double shut-off

LN SERIES



Features:

- State-of-the art dry-break design
- Lightweight and compact design
- Spillage and air inclusion are held to a minimum
- Designed for high purity, high reliability systems
- Designed for high flow vs. low pressure drop
- Performance meets or exceeds MIL-C-7413B and MIL-C-25427A
- Wide range of seal materials to handle any application

Pressures:

To 1,000 psig (69 bar)

Sizes:

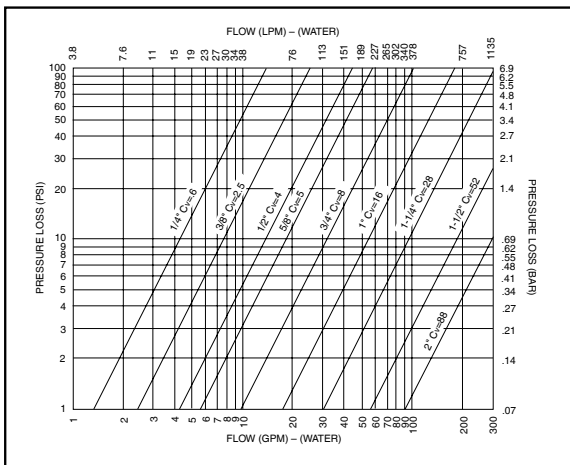
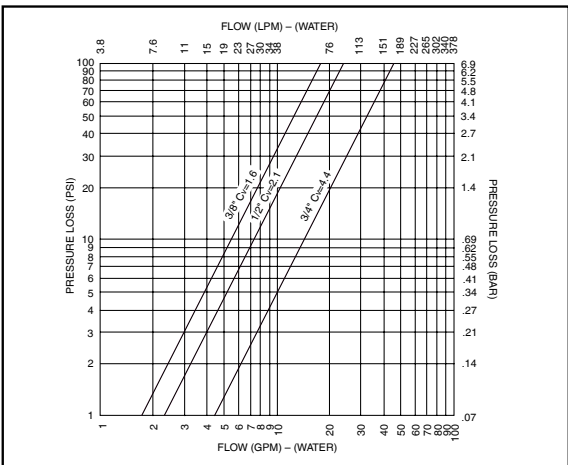
1/4" through 2"

Materials:

Aluminum and stainless steel

Shut-off Combinations:

Double shut-off



COUPLINGS

HN-3 SERIES



Features:

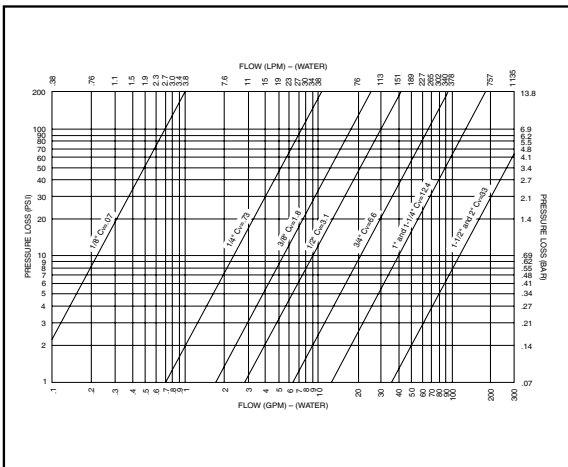
- Dry-break design
- High pressure capability
- Virtually zero spillage and air inclusion
- Heavy duty construction withstands high impulses and shocks
- Superior flow characteristics with low pressure drop

Pressures:
To 10,000 psig (690 bar)

Sizes:
1/8" through 2"

Materials:
Steel with platings or coatings to customer specifications and stainless steel to meet your pressure and environmental requirements

Shut-off Combination:
Double shut-off



MP-1 SERIES



Features:

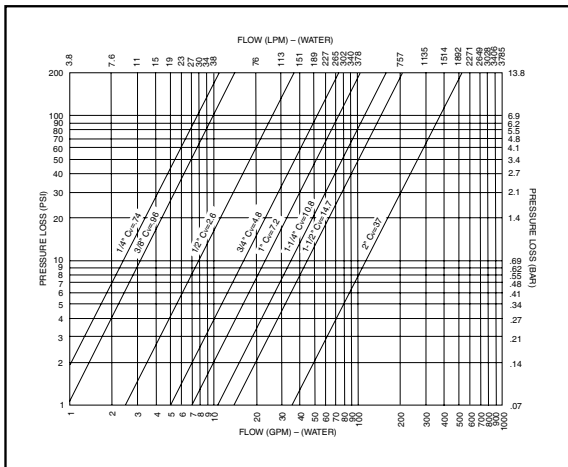
- Economical medium-pressure poppet design
- Two-piece construction for end fitting versatility
- Anti-extrusion seal
- Multitude of seals and materials to handle gases, fluids and vacuums in a wide range of pressures and temperatures
- Streamline valve design for high flow with minimal pressure drop
- Seal and poppet design are wear and pressure compensated for positive shut-off with zero leakage

Pressures:
To 3,000 psig (207 bar) (For higher pressure consult factory)

Sizes:
1/4" through 4" (larger sizes are available)

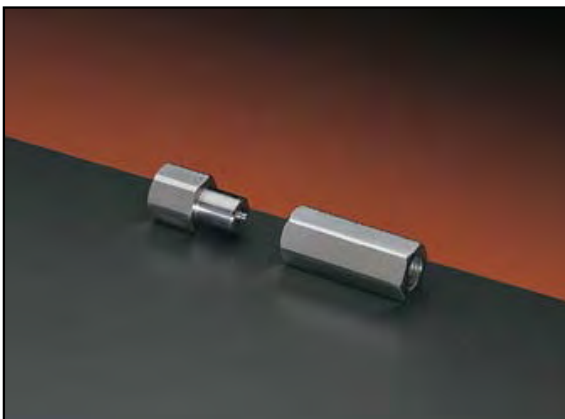
Materials:
Steel with platings or coatings to customer specifications and stainless steel to meet your pressure and environmental requirements

Shut-off Combination:
Double shut-off/Single shut-off



COUPLINGS

HP SERIES



Features:

- High pressure poppet valve design
- Wide range of elastomeric seals available, as well as RVHG and polymer valve seals
- Compact design permits mounting on junction boxes to disconnect hydraulic hose bundles for oil field applications
- Leak-free, high-reliability poppet coupling for critical hydraulic control systems

Pressures:

To 10,000 psig (690 bar) also suitable for vacuum applications

Sizes:

1/8" through 3/4"

Materials:

Stainless steel

Shut-off Combination:

Double shut-off

SJ SERIES



Features:

- Plain slip-joint design
- For transfer of large volumes of liquids or gases where integral shut-off valves are not required
- Wide range of elastomeric seals are available including RVHG

Pressures:

To 10,000 psig (690 bar)

Sizes:

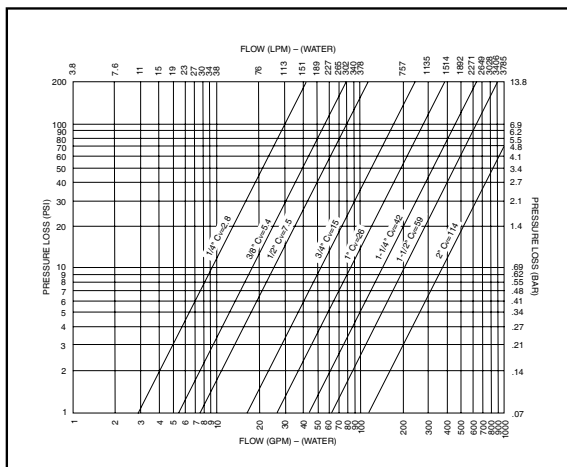
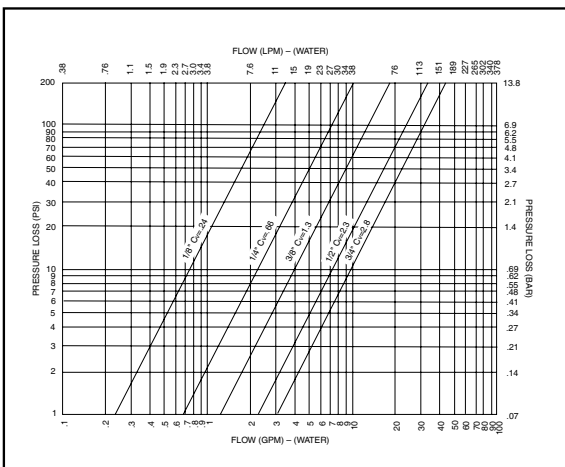
1/4" through 5"

Materials:

Steel with platings or coatings to customer specifications and stainless steel to meet your pressure and environmental requirements

Shut-off Combination:

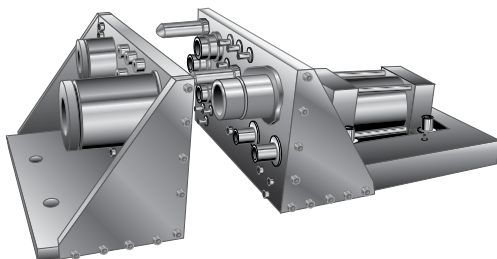
Straight through



LOCKING MECHANISMS

Snap-tite standard panel locking mechanisms available for your individual requirements.

Snap-tite offers five standard locking mechanisms to be used on a wide variety of multi-coupling panels. These methods allow you to further customize your panel to your standards. When you select the coupling (or couplings), the panel configuration they're used on and the locking device – the result is a complete panel that will satisfy your specifications.

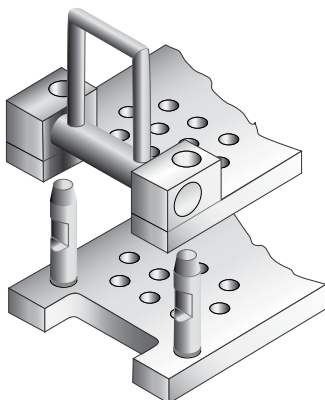
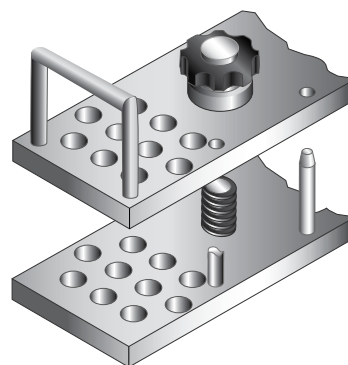


High Pressure Docking Method

Used where connecting forces dictate the assistance of one or more cylinders to make the panel connection. This method is also used when separation forces exceed the recommended limits of other locking methods.

Manual Rotary Method

An economical method to connect small panels of 10 or more 1/2" couplings or smaller. Acme thread is used to overcome forces required to engage the couplings.

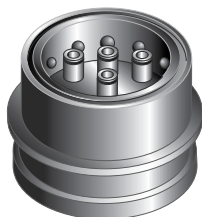
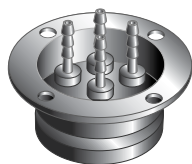
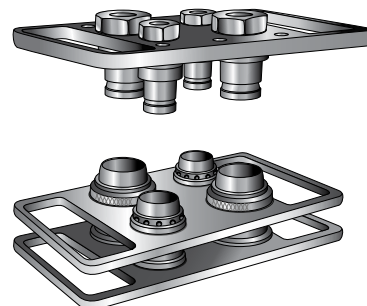


Dual Stage Bar Locking Method

Snap-tite's unique double-stage locking bar overcomes high engagement forces thus allowing the manual connection of 10 or more couplings in varying sizes.

Multi-Coupling Method

This method utilizes the coupling's locking mechanism to connect and lock each coupling simultaneously. A third plate is used to activate the locking sleeves simultaneously. Recommended when using 10 couplings or less per panel.

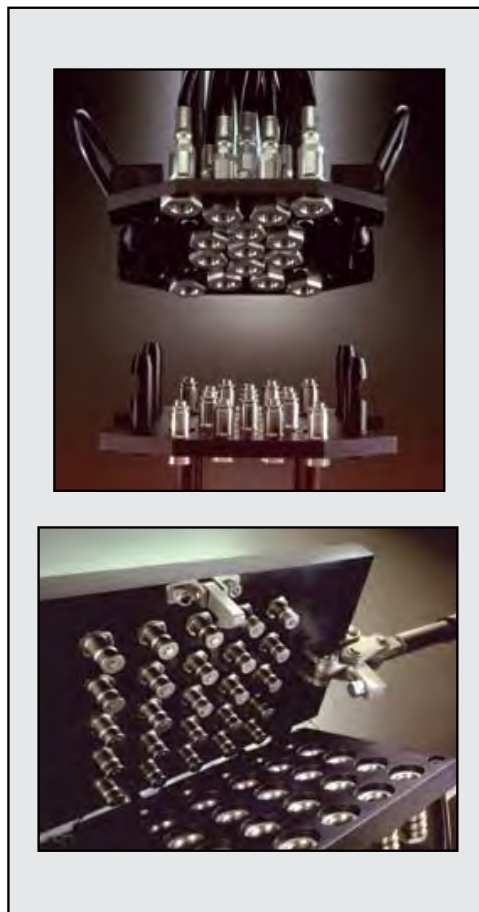


Master Coupling Method

This compactness and smooth operation of a conventional quick disconnect coupling with a limited number of plain couplings enslaved within.

GENERAL INFORMATION ON SNAP-TITE MULTI-COUPLING PANELS

- Panels are available in any size, shape or thickness to meet your specific envelope requirements.
- All couplings are supplied with multiple grooves for varying plate thicknesses.
- Couplings are available in working pressures to 30,000 psig (2069 bar).
- All couplings listed are available with individual locking mechanisms.
- All panels can be equipped with electrical connectors to meet your requirements.
- Panels can be supplied with a mix of any of the BN, LN, HN-3, MP-1, HP or SJ series couplings or sizes in patterns to suit your applications. Panel holes are numbered on top as well as the backside for easy identification.
- Large selection of end fittings: Male SAE 37° flared ('EM'), Female O-ring boss thread (EF), Male taper pipe thread (M), Female British Parallel BS2779 (RP), Female straight pipe thread in sizes 1/8" through 1" (NPSF), and Taper female pipe thread in sizes 1-1/4" and above. Other end fittings are available to meet your needs.
- Snap-tite, Inc. is known worldwide for its problem-solving engineering capabilities. We can design special couplings to meet your individual requirements. Due to space limitations we are unable to show all the designs available. Consult Snap-tite for assistance in solving your quick disconnect panel problem.



! WARNING !

FAILURE OR IMPROPER SELECTION OR IMPROPER USE OF THE PRODUCTS AND/OR SYSTEMS DESCRIBED HEREIN OR RELATED ITEMS CAN CAUSE DEATH, PERSONAL INJURY AND/OR PROPERTY DAMAGE.

This document and other information from Snap-tite, Inc., its subsidiaries and authorized distributors, provides product and/or system options for further investigation by users having technical expertise. It is important that you analyze all aspects of your application and review the information concerning the product or system in the current product catalog. Due to the variety of operation conditions and applications for these products or systems, the user, through its own analysis and testing, is solely responsible for making the final selection of the products and systems and assuring that all performance, safety and warning requirements of the application are met.

The products described herein, including without limitation, product features, specifications, designs, availability and pricing, are subject to change by Snap-tite, Inc. and its subsidiaries at any time without notice.


COMPONENTS, INC.

Quick Disconnect & Valve Division
201 Titusville Road
Union City, Pennsylvania 16438-8699 USA
PH: 814-438-3821 FAX: 814-438-3069
e-mail: qdv_sales@snap-tite.com
www.snap-tite.com

01-0030BE-1203

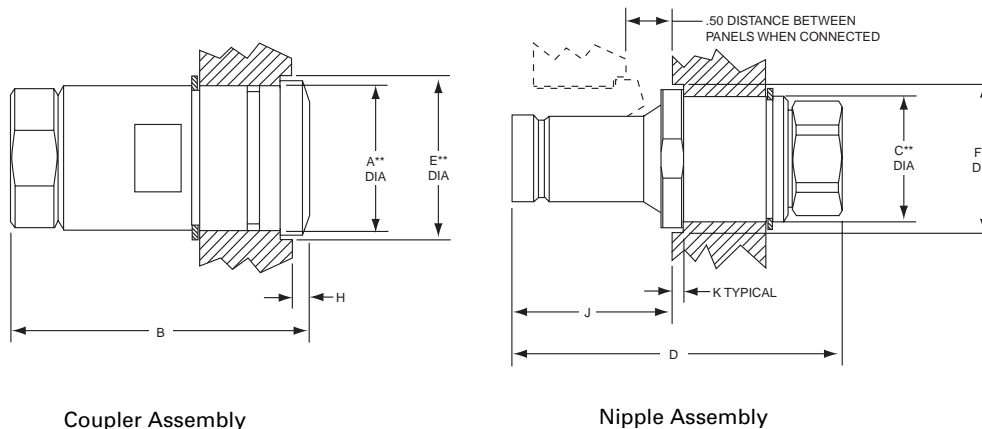

EUROPE

Industrial Estate
Whitemill - Wexford
Republic of Ireland
PH: 353 53 914 1566 FAX: 353 53 914 1582
e-mail: ste_sales@snap-tite.com
www.snap-tite.com

ISO-9001 Certified

BN SERIES

Panel Mount Couplings 3/8" - 3/4" Sizes



**Recommended hole size.

Snap-tite
COMPONENTS, INC.

Quick Disconnect & Valve Division
201 Titusville Road
Union City, PA 16438-8699 USA
PH: 814-438-3821 FAX: 814-438-3069
e-mail: qd&v_sales@snap-tite.com
www.snap-tite.com

Snap-tite
EUROPE, B.V.

Industrial Estate
Whitemill - Wexford
Republic of Ireland
PH: 353-53-41566 FAX: 353-53-41582
e-mail: snap-tite@snap-tite.iol.ie
www.snap-tite.com

ISO-9001 Certified

Unit Size	A Dia +/- .005		B +/- .03		C Dia +/- .005		D +/- .03		E Dia Min		F Dia Min		H		J		K	
	in	mm	in	mm	in	mm	in	mm	in	mm	in	mm	in	mm	in	mm	in	mm
3/8"	1.563	39.70	3.22	81.79	1.375	34.93	3.44	87.38	1.750	44.45	1.563	39.70	.20	5.08	1.74	44.20	.125	3.18
1/2"	1.938	49.23	3.70	93.98	1.763	44.78	3.55	90.17	2.172	55.17	1.922	48.82	.29	7.37	1.64	41.66	.250	6.35
3/4"	2.000	50.80	3.72	94.49	2.000	50.80	3.47	88.14	2.438	61.93	2.438	61.93	.43	10.92	1.81	45.97	.220	5.59

Contact factory for verification of dimensions prior to any machining.

BN SERIES

How to Order

Part Number Example: SBNC6-4EFE

Material ¹	Series	Coupling Half	Coupling Size	End Fitting Size	Type of ¹ End Fitting	Seal ¹ Material
S Stainless Steel	BN	C Coupler N Nipple	6 - 3/8"	4 - 1/4"	F	**
			8 - 1/2"	6 - 3/8"	Female NPSF	Nitrile (AMS3215)
			12 - 3/4"	8 - 1/2"	M	V
			16 - 1"	12 - 3/4"	Male NPT	Viton (MIL-R-25897)
				RP	JF	Nitrile (MIL-P-5315)
				Female British Parallel BS2779	M	Nitrile (MIL-P-25732)
				EF	E	Ethylene Propylene
				Female SAE O'Ring Boss	EM	AS
				Male SAE 37°	K	Aflas
						Kalrez

¹For other end fittings and seal or coupling materials, consult the factory.

Pressure Ratings psi (bar)

Size	Working Pressure	Proof Pressure	Burst Pressure
3/8"	5000 (344)	7500 (517)	10000 (689)
1/2"	3000 (206)	4500 (310)	6000 (413)
3/4"	3000 (206)	4500 (310)	6000 (413)

Burst pressures listed were taken at the point at which failure rendered the quick-disconnect inoperative.

NOTE: Pressure ratings were established under static pressure conditions. For high impulse applications, multiply the above pressure ratings by .6 for approximate pressure ratings.

Air Inclusion on Connect, Spillage on Disconnect

Size (inches)	Spillage (cc)	Inclusion (cc)
3/8	< .02	.03
1/2	.12	.19
3/4	.08	.13

Note:

Air inclusion at 0 psi internal pressure.
Spillage at 15 psi (1 bar) internal pressure.

Separation Forces at 10000 psi (689 bar)

Size (inches)	Forces in Pounds (kilograms)
3/8	< 60 (27)
1/2	< 60 (27)
3/4	< 60 (27)

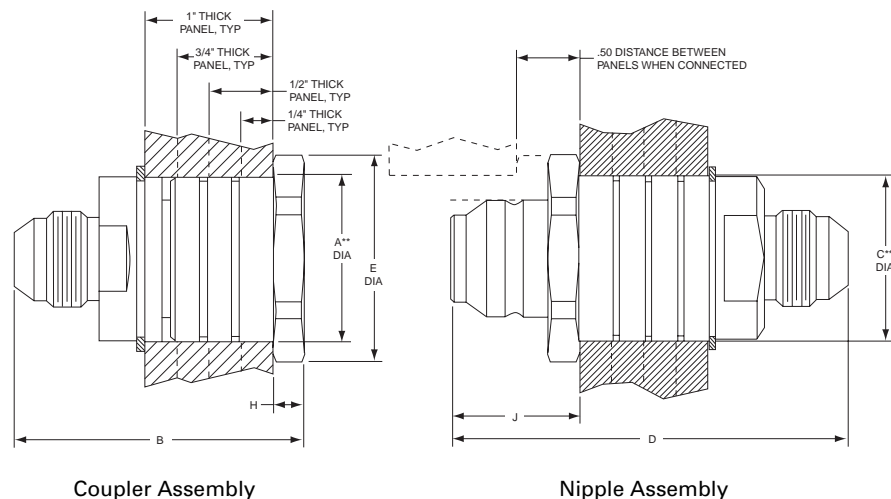
Maximum Recommended Connect/Disconnect Pressure

Dynamic pressure 250 psi (17 bar)
Static pressure 3000 psi (206 bar)

01-0034SE-0901

LN SERIES

Panel Mount Couplings 1/4" - 2" Sizes



**Recommended hole size.

Unit Size	A Dia +/- .005		B +/- .03		C Dia +/- .005		D +/- .03		E Dia		H		J	
	in	mm	in	mm	in	mm	in	mm	in	mm	in	mm	in	mm
1/4"	.828	21.03	1.85	46.99	.828	21.03	2.21	56.13	1.13	28.70	.24	6.10	.84	21.34
3/8"	1.188	30.18	2.23	56.64	1.188	30.18	2.45	62.23	1.38	35.05	.24	6.10	.89	22.61
1/2"	1.313	33.35	2.27	57.66	1.313	33.35	3.10	78.74	1.63	41.40	.24	6.10	1.00	25.40
5/8"	1.563	39.70	2.95	74.93	1.563	39.70	2.75	69.85	1.78	45.21	.24	6.10	1.11	28.19
3/4"	1.688	42.88	2.97	75.44	1.688	42.88	3.58	90.93	1.93	49.02	.24	6.10	1.18	29.97
1"	2.234	56.74	3.73	94.74	2.234	56.74	3.62	91.95	2.50	63.50	.24	6.10	1.30	33.02
1-1/4"	2.656	67.46	4.14	105.16	2.656	67.46	4.50	114.30	3.00	76.20	.24	6.10	1.74	44.20
1-1/2"	3.000	76.20	4.50	114.30	3.000	76.20	4.00	101.60	3.50	88.90	.24	6.10	1.74	44.20
2"	3.546	90.07	4.82	122.43	3.546	90.07	5.19	131.83	3.75	95.25	.24	6.10	2.11	53.59

Contact factory for verification of dimensions prior to any machining.


COMPONENTS, INC.

Quick Disconnect & Valve Division
201 Titusville Road
Union City, PA 16438-8699 USA
Ph: 814-438-3821 Fax: 814-438-3069
e-mail: qd&v_sales@snap-tite.com
www.snap-tite.com


EUROPE, B.V.

Industrial Estate
Whitemill - Wexford
Republic of Ireland
Ph: 353-53-41566 Fax: 353-53-41582
e-mail: snap-tite@snap-tite.iol.ie
www.snap-tite.com

ISO-9001 Certified

LN SERIES

How to Order

Part Number Example: ALNC8-8EFM

Material ¹	Series	Coupling Half	Coupling Size	End Fitting Size	Type of ¹ End Fitting	Seal ¹ Material
A Aluminum S Stainless Steel	LN	C Coupler N Nipple	4 - 1/4"	4 - 1/4"	F	**
			6 - 3/8"	6 - 3/8"	Female NPSF ²	Nitrile (AMS3215)
			8 - 1/2"	8 - 1/2"	M	V
			10 - 5/8"	10 - 5/8"	Male NPT	Viton (MIL-R-25897)
			12 - 3/4"	12 - 3/4"	RP	JF
			16 - 1"	16 - 1"	Female British Parallel BS2779	Nitrile (MIL-P-5315)
			20 - 1-1/4"	20 - 1-1/4"	EF	M
			24 - 1-1/2"	24 - 1-1/2"	Female SAE O'Ring Boss	Nitrile (MIL-P-25732)
			32 - 2"	32 - 2"	EM	E
					Male SAE 37°	Ethylene Propylene
						AS
						Aflas
			K			
			Kalrez			
			**Standard seal- No letter designation required.			

¹For other end fittings and seal or coupling materials, consult the factory.
²NPSF Female straight pipe thread on sizes to 1" taper pipe on sizes above 1".

Pressure Ratings psi (bar)

Size (inches)	Working Pressure		Proof Pressure		Burst Pressure	
	Steel	Stainless Steel	Steel	Stainless Steel	Steel	Stainless Steel
1/4 thru 1	1000 (69)	1000 (69)	1500 (103)	1500 (103)	2000 (138)	2000 (138)
1-1/4 thru 2	600 (41)	600 (41)	900 (62)	900 (62)	1200 (82)	1200 (82)

Burst pressures listed were taken at the point at which failure rendered the quick-disconnect inoperative. Pressure ratings were established under static pressure conditions. Therefore, pressure ratings for any given flow, pressure surge and/or vibration may vary these ratings.

NOTE: For high impulse applications, multiply the above pressure ratings by .6 for approximate pressure ratings.

01-0035SE-0901

Air Inclusion on Connect, Spillage on Disconnect

Size (inches)	Spillage (cc)	Inclusion (cc)
1/4	.01	.05
3/8	.03	.18
1/2	.04	.28
5/8	.13	.31
3/4	.15	.48
1	.30	.80
1-1/4	.40	1.57
1-1/2	.70	2.00
2	1.00	3.00

Note: Air inclusion at 0 psi internal pressure. Spillage at 15 psi (1 bar) internal pressure.

Separation Forces at 1000 psi (69 bar)

Size (inches)	Forces in Pounds (kilograms)	
1/4	190	(86)
3/8	360	(163)
1/2	500	(227)
5/8	750	(340)
3/4	950	(431)
1	1750	(794)
1-1/4	1450	(656) ¹
1-1/2	2250	(1021) ¹
2	3250	(1474) ¹

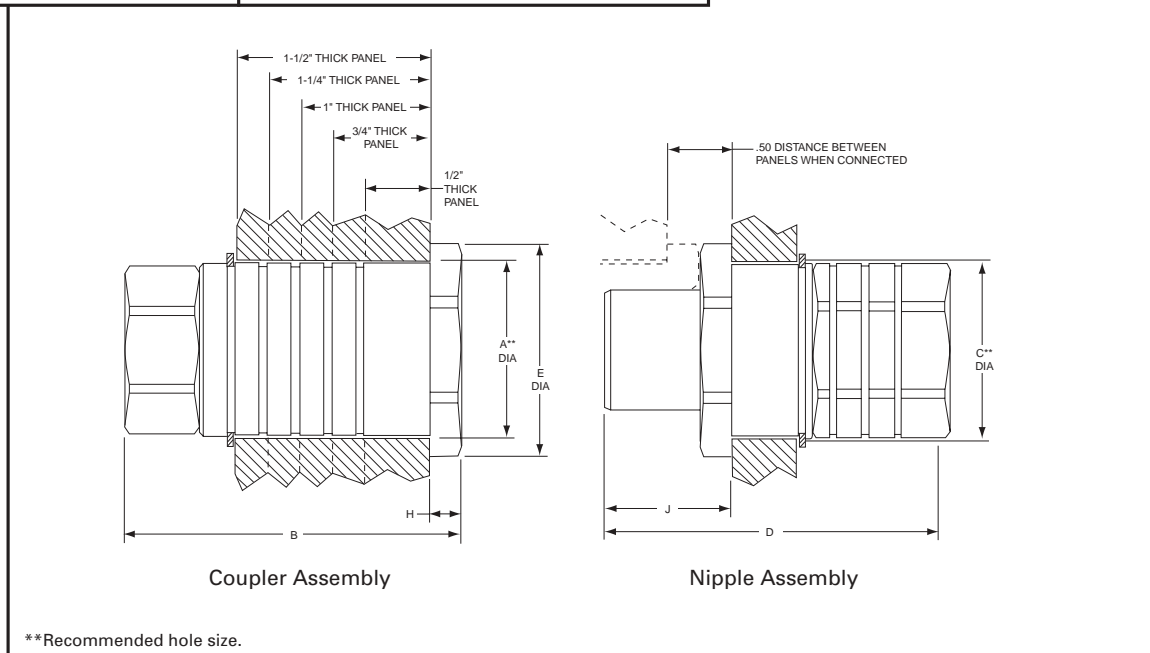
¹Separation forces for 1-1/4" thru 2" based on 600 psi (41 bar)

Maximum Recommended Connect/Disconnect Pressure

0 psi

HN-3 SERIES

Panel Mount Couplings 1/8" - 2" Sizes



Unit Size	A Dia +/--.005		B +/--.03		C Dia +/--.005		D +/--.03		E Dia		H		J	
	in	mm	in	mm	in	mm	in	mm	in	mm	in	mm	in	mm
1/8"	.906	23.01	2.13	54.10	.906	23.01	2.36	59.94	1.03	26.16	.24	6.10	.82	20.83
1/4"	1.063	27.00	2.05	52.07	1.063	27.00	2.38	60.45	1.18	29.97	.24	6.10	.88	22.35
3/8"	1.375	34.93	2.60	66.04	1.375	34.93	2.57	65.28	1.65	41.91	.24	6.10	.98	24.89
1/2"	1.750	44.45	3.09	78.49	1.750	44.45	2.88	73.15	1.98	50.29	.24	6.10	1.30	33.02
3/4"	2.015	51.18	3.34	84.84	2.015	51.18	2.96	75.18	2.34	59.43	.24	6.10	1.43	36.32
1"	2.375	60.33	3.53	89.66	2.125	53.98	3.23	82.04	2.62	66.54	.24	6.10	1.42	36.07
2"	3.875	98.43	6.20	157.48	3.000	76.20	5.38	136.65	4.50	114.30	.24	6.10	3.37	85.60

Contact factory for verification of dimensions prior to any machining.



Quick Disconnect & Valve Division
201 Titusville Road
Union City, PA 16438-8699 USA
Ph: 814-438-3821 Fax: 814-438-3069
e-mail: qd&v_sales@snap-tite.com
www.snap-tite.com



Industrial Estate
Whitemill - Wexford
Republic of Ireland
Ph: 353-53-41566 Fax: 353-53-41582
e-mail: ste_sales@snap-tite.com
www.snap-tite.com

ISO-9001 Certified

HN-3 SERIES

How to Order

Part Number Example: HN-3N2-4F

Material ¹	Series	Coupling Half	Coupling Size	End Fitting Size	Type of ¹ End Fitting	Seal ¹ Material
High strength steel-no letter designation required	HN-3	C Coupler N Nipple	2 - 1/8"	2 - 1/8"	F	**
			4 - 1/4"	4 - 1/4"	Female NPSF ²	Nitrile (AMS3215)
Stainless steel			6 - 3/8"	6 - 3/8"	RP	V
			8 - 1/2"	8 - 1/2"	Female British Parallel BS2779	Viton (MIL-R-25897)
High pressure stainless steel			12 - 3/4"	12 - 3/4"	EF	JF
			16 - 1"	16 - 1"	Female SAE O'Ring Boss	Nitrile (MIL-P-5315)
			32 - 2"	32 - 2"		M Nitrile (MIL-P-25732)
						E Ethylene Propylene
						AS Aflas
						K Kalrez

**Standard seal-
No letter designation required.

¹For other end fittings and seal or coupling materials, consult the factory. ²NPSF Female straight pipe thread on sizes to 1" taper pipe on sizes above 1".

Pressure Ratings psi (bar)

Size (inches)	Steel		316 Stainless Steel		High Pressure Stainless Steel	
	Max. Working	Min. Burst	Max. Working	Min. Burst	Max. Working	Min. Burst
1/8	10000 (689)	22000 (1517)	N/A	N/A	N/A	N/A
1/4	10000 (689)	20000 (1379)	5000 (344)	12500 (862)	10000 (689)	20000 (1379)
3/8	10000 (689)	20000 (1379)	5000 (344)	12500 (862)	10000 (689)	20000 (1379)
1/2	10000 (689)	20000 (1379)	5000 (344)	12500 (862)	10000 (689)	20000 (1379)
3/4	7500 (517)	15000 (1034)	5000 (344)	12500 (862)	7500 (517)	15000 (1034)
1	7500 (517)	15000 (1034)	4000 (275)	10000 (689)	7500 (517)	15000 (1034)
1 x 1-1/4	7500 (517)	15000 (1034)	4000 (275)	10000 (689)	7500 (517)	15000 (1034)
2 x 1-1/2	5000 (344)	10000 (689)	3000 (206)	6000 (413)	5000 (344)	10000 (689)
2	5000 (344)	10000 (689)	3000 (206)	6000 (413)	5000 (344)	10000 (689)

Burst pressures listed were taken at the point at which failure rendered the quick-disconnect inoperative. (Proof pressure equals 1-1/2 times operating pressure.)

NOTE: Pressure ratings were established under static pressure conditions. For high impulse applications, multiply the above pressure ratings by .6 for approximate pressure ratings.

Air Inclusion on Connect, Spillage on Disconnect

Size (inches)	Spillage (cc)	Inclusion (cc)
1/8	.12	.02
1/4	.02	.01
3/8	.02	.02
1/2	.03	.03
3/4	.06	.04
1	.10	.06
1 x 1-1/4	.10	.06
2 x 1-1/2	5.25	30.50
2	5.25	30.50

Note: Air inclusion at 0 psi internal pressure. Spillage at 15 psi (1 bar) internal pressure.

Separation Forces at 1000 psi (69 bar)

Size (inches)	Forces in Pounds (kilograms)
1/8	195 (88)
1/4	152 (69)
3/8	270 (122)
1/2	460 (208)
3/4	970 (440)
1	2250 (1020)
2	6000 (2721)

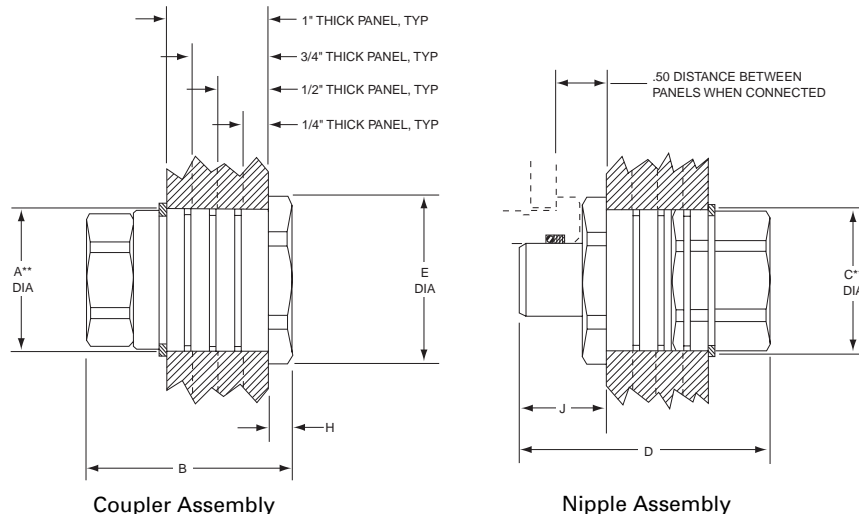
Maximum Recommended Connect/Disconnect Pressure

0 psi

01-0036PE-0502

MP-1 SERIES

Panel Mount Couplings 1/4" - 4" Sizes



** Recommended hole size.

**

**

Unit Size	A Dia +/- .005		B +/- .03		C Dia +/- .005		D +/- .03		E Dia		H		J	
	in	mm	in	mm	in	mm	in	mm	in	mm	in	mm	in	mm
1/4"	1.032	26.21	1.65	41.91	1.032	26.21	2.14	54.36	1.38	35.05	.24	6.10	.81	20.57
3/8"	1.125	28.58	1.82	46.23	1.125	28.58	2.14	54.36	1.38	35.05	.24	6.10	.86	21.84
1/2"	1.375	34.93	2.04	51.82	1.375	34.93	2.48	62.99	1.65	41.91	.24	6.10	.86	21.84
3/4"	1.688	42.88	2.42	61.47	1.688	42.88	2.55	64.77	2.06	52.32	.24	6.10	1.14	28.96
1"	2.063	52.40	2.58	65.53	2.063	52.40	2.55	64.77	2.48	62.99	.24	6.10	1.03	26.16
1-1/4"	2.250	57.15	3.54	89.92	2.250	57.15	3.41	86.61	2.75	69.85	.24	6.10	1.16	29.46
1-1/2"	2.765	70.23	3.29	83.57	2.765	70.23	3.12	79.25	3.30	83.82	.24	6.10	1.32	33.53
2"	3.469	88.11	3.92	99.57	3.469	88.11	3.72	94.49	4.00	101.60	.24	6.10	1.58	40.13
3"	4.875	123.83	4.76	120.90	4.875	123.83	4.67	118.62	5.50	139.70	.24	6.10	1.82	46.23
4"	6.000	152.40	5.65	143.51	6.000	152.40	5.60	142.24	6.60	167.64	.24	6.10	2.10	53.34

Contact factory for verification of dimensions prior to any machining.

Snap-tite
COMPONENTS, INC.

Quick Disconnect & Valve Division
201 Titusville Road
Union City, PA 16438-8699 USA
Ph: 814-438-3821 Fax: 814-438-3069
e-mail: qd&v_sales@snap-tite.com
www.snap-tite.com

Snap-tite
EUROPE, B.V.

Industrial Estate
Whitemill - Wexford
Republic of Ireland
Ph: 353-53-41566 Fax: 353-53-41582
e-mail: snap-tite@snap-tite.iol.ie
www.snap-tite.com

ISO-9001 Certified

MP-1 SERIES

How to Order

Part Number Example: SVMP-1N8-8F

Material ¹	Body Type	Series	Coupling Half	Coupling Size	End Fitting Size	Type of ¹ End Fitting	Seal ¹ Material
High strength steel - no letter designation required S Stainless Steel	V Valved P Plain	MP-1	C Coupler N Nipple	4 - 1/4"	2 - 1/8"	F	**
				6 - 3/8"	4 - 1/4"	Female NPSF ²	Nitrile (AMS3215)
				8 - 1/2"	6 - 3/8"	M	V
				12 - 3/4"	8 - 1/2"	Male NPT	Viton (MIL-R-25897)
				16 - 1"	12 - 3/4"	RP	JF
				20 - 1-1/4"	16 - 1"	Female British Parallel	Nitrile (MIL-P-5315)
				24 - 1-1/2"	20 - 1-1/4"	BS2779	M
				32 - 2"	24 - 1-1/2"	EF	Nitrile (MIL-P-25732)
				40 - 2-1/2"	32 - 2"	Female SAE O'Ring Boss	E
				48 - 3"	40 - 2-1/2"	EM	Ethylene Propylene
				64 - 4"	48 - 3"	Male SAE 37°	AS
					64 - 4"		Aflas
							K
			Kalrez				

¹For other end fittings and seal or coupling materials, consult the factory.
²NPSF Female straight pipe thread on sizes to 1" taper pipe on sizes above 1".

Pressure Ratings psi (bar)

Size	Steel	Stainless Steel
1/4"	6500 (448)	5000 (344)
3/8"	4500 (310)	4000 (275)
1/2"	4000 (275)	3750 (259)
3/4"	3500 (241)	2000 (138)
1"	2000 (138)	2000 (138)
1-1/4"	1750 (120)	1500 (103)
1-1/2"	1500 (103)	1500 (103)
2"	1500 (103)	500 (34)
2-1/2"	1000 (69)	400 (28)
3"	750 (52)	400 (28)
4"	500 (34)	300 (21)

Burst pressures listed were taken at the point at which failure rendered the quick-disconnect inoperative. (Proof pressure equals 1-1/2 times working pressure. Burst pressure equals 2 times working pressure.)
NOTE: Pressure ratings were established under static pressure conditions. For high impulse applications, multiply the above pressure ratings by .6 for approximate pressure ratings.

Air Inclusion on Connect, Spillage on Disconnect

Size (inches)	Spillage (cc)	Inclusion (cc)
1/4	1.2	1.2
3/8	1.4	1.4
1/2	4.2	4.2
3/4	10.5	10.5
1	19.6	19.6
1-1/4	30.8	30.8
1-1/2	55.2	55.2
2	85.3	85.3
3	262.0	262.0
4	443.0	443.0

Note: Air inclusion at 0 psi internal pressure. Spillage at 15 psi (1 bar) internal pressure.

Separation Forces at 1000 psi (69 bar)

Size (inches)	Forces in Pounds (kilograms)
1/4	150 (68)
3/8	240 (110)
1/2	410 (186)
3/4	780 (355)
1	1100 (499)
1-1/4	1600 (725)
1-1/2	2300 (1043)
2	4000 (1814)
3	9760 (4435)
4	16800 (7620)

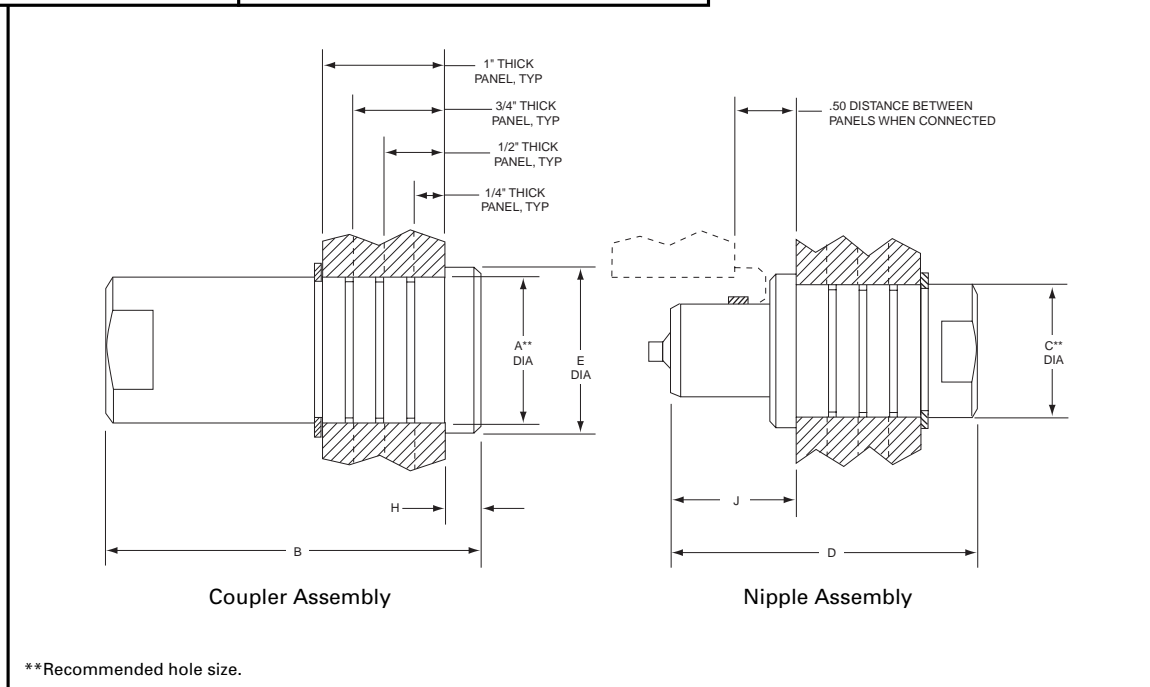
01-0037SE-0901

Maximum Recommended Connect/Disconnect Pressure

Size	psi (bar)
1/4"	400 (28)
3/8"	200 (14)
1/2"	100 (7)
3/4"	50 (3)
1"	45 (3)
1-1/4"	30 (2)
1-1/2"	30 (2)
2"	20 (2)
3"	10 (.7)
4"	5 (.3)

HP SERIES

Panel Mount Couplings 1/8" - 3/4" Sizes



Unit Size	A Dia +/- .005		B +/- .03		C Dia +/- .005		D +/- .03		E Dia		H		J	
	in	mm	in	mm	in	mm	in	mm	in	mm	in	mm	in	mm
1/8"	.875	22.22	1.80	45.72	.875	22.22	1.88	47.75	1.00	25.40	.24	6.10	.80	20.32
1/4"	.938	23.81	2.03	51.56	.938	23.81	2.03	51.56	1.25	31.75	.24	6.10	.87	22.10
3/8"	1.203	30.56	3.06	77.72	1.203	30.56	2.50	63.50	1.35	34.29	.24	6.10	1.03	26.16
1/2"	1.438	36.53	3.09	78.49	1.438	36.53	2.93	74.42	1.63	41.40	.24	6.10	1.43	36.32
3/4"	1.750	44.45	3.95	100.33	1.750	44.45	3.38	85.85	2.00	50.80	.24	6.10	1.42	36.07

Contact factory for verification of dimensions prior to any machining.

Snap-tite
COMPONENTS, INC.

Quick Disconnect & Valve Division
201 Titusville Road
Union City, PA 16438-8699 USA
Ph: 814-438-3821 Fax: 814-438-3069
e-mail: qd&v_sales@snap-tite.com
www.snap-tite.com

Snap-tite
EUROPE, B.V.

Industrial Estate
Whitemill - Wexford
Republic of Ireland
Ph: 353-53-41566 Fax: 353-53-41582
e-mail: snap-tite@snap-tite.iol.ie
www.snap-tite.com

ISO-9001 Certified

HP SERIES

How to Order

Part Number Example: SHPN8-8F

Material ¹	Series	Coupling Half	Coupling Size	End Fitting Size	Type of End Fitting	Seal ¹ Material
S Stainless Steel	HP	C Coupler N Nipple	2 - 1/8"	2 - 1/8"	F	**
			4 - 1/4"	4 - 1/4"	Female NPSF	Nitrile (AMS3215)
			6 - 3/8"	6 - 3/8"	M	V
			8 - 1/2"	8 - 1/2"	Male NPT	Viton (MIL-R-25897)
			12 - 3/4"	12 - 3/4"	RP	JF
					Female British Parallel BS2779	Nitrile (MIL-P-5315)
					EF	Nitrile (MIL-P-25732)
					Female SAE O'Ring Boss	E
					EM	Ethylene Propylene
					Male SAE 37°	AS
						Aflas
						K
						Kalrez

¹For other end fittings and seal or coupling materials, consult the factory.

Pressure Ratings psi (bar)

Size	Working Pressure	Proof Pressure	Burst Pressure
1/8"	10000 (690)	15000 (1034)	20000 (1379)
1/4"	10000 (690)	15000 (1034)	20000 (1379)
3/8"	5000 (345)	7500 (517)	10000 (690)
1/2"	5000 (345)	7500 (517)	10000 (690)
3/4"	5000 (345)	7500 (517)	10000 (690)

NOTE: Pressure ratings were established under static pressure conditions. For high impulse applications, multiply the above pressure ratings by .6 for approximate pressure ratings.

Burst pressures listed were taken at the point at which failure rendered the quick-disconnect inoperative.

Air Inclusion on Connect, Spillage on Disconnect

Size (inches)	Spillage (cc)	Inclusion (cc)
1/8	.4	.4
1/4	1.2	1.2
3/8	2.7	2.7
1/2	4.2	4.2
3/4	15.5	15.5

Note:

Air inclusion at 0 psi internal pressure.
Spillage at 15 psi (1 bar) internal pressure.

Separation Forces at 1000 psi (69 bar)

Size (inches)	Forces in Pounds (kilograms)
1/8	200 (91)
1/4	220 (100)
3/8	440 (200)
1/2	700 (318)
3/4	1350 (612)

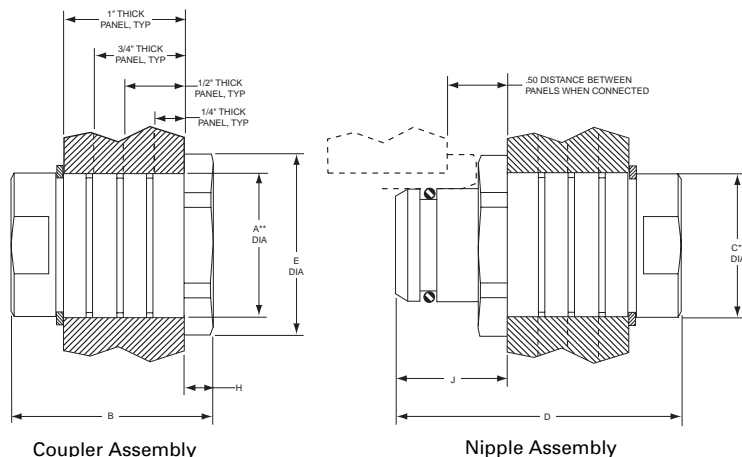
Maximum Recommended Connect/Disconnect Pressure

0 thru working pressure

01-0033SE-0901

SJ SERIES

Panel Mount Couplings 1/4" - 5" Sizes



** Recommended hole size.

**

**

Unit Size	A Dia +/- .005		B +/- .03		C Dia +/- .005		D +/- .03		E Dia		H		J	
	in	mm	in	mm	in	mm	in	mm	in	mm	in	mm	in	mm
1/4"	.750	19.05	1.75	44.45	.750	19.05	2.30	58.42	1.00	25.40	.24	6.10	.79	20.07
3/8"	.875	22.23	1.75	44.45	.875	22.23	2.30	58.42	1.13	28.70	.24	6.10	.84	21.34
1/2"	1.031	26.19	1.75	44.45	1.031	26.19	2.30	58.42	1.25	31.75	.24	6.10	.88	22.35
3/4"	1.250	31.75	1.75	44.45	1.250	31.75	2.50	63.50	1.50	38.10	.24	6.10	.93	23.62
1"	1.875	47.63	2.00	50.80	1.875	47.63	2.75	69.85	2.25	57.15	.24	6.10	1.03	26.16
1-1/4"	2.125	53.98	2.00	50.80	2.125	53.98	2.75	69.85	2.50	63.50	.24	6.10	1.03	26.16
1-1/2"	2.375	60.33	2.00	50.80	2.375	60.33	2.75	69.85	2.75	69.85	.24	6.10	1.03	26.16
2"	2.875	73.03	2.00	50.80	2.875	73.03	2.75	69.85	3.38	85.85	.24	6.10	1.10	27.94
2-1/2"	3.468	88.09	2.55	64.77	3.468	88.09	2.92	74.17	3.85	97.79	.24	6.10	1.27	32.25
3"	4.125	104.78	2.60	66.04	4.125	104.78	2.92	74.17	4.50	114.30	.24	6.10	1.27	32.25
4"	5.125	130.17	2.60	66.04	5.125	130.17	2.92	74.17	5.50	139.70	.24	6.10	1.27	32.25
5"	6.000	152.40	2.75	69.85	6.000	152.40	3.14	79.76	6.50	165.10	.24	6.10	1.12	28.45

Contact factory for verification of dimensions prior to any machining.

Snap-tite
COMPONENTS, INC.

Quick Disconnect & Valve Division
201 Titusville Road
Union City, PA 16438-8699 USA
PH: 814-438-3821 FAX: 814-438-3069
e-mail: qd&v_sales@snap-tite.com
www.snap-tite.com

Snap-tite
EUROPE, B.V.

Industrial Estate
Whitemill - Wexford
Republic of Ireland
PH: 353-53-41566 FAX: 353-53-41582
e-mail: snap-tite@snap-tite.iol.ie
www.snap-tite.com

ISO-9001 Certified

SJ SERIES

How to Order

Part Number Example: SSJN24-24F

Material ¹	Series	Coupling Half	Coupling Size	End Fitting Size	Type of ¹ End Fitting	Seal ¹ Material
High strength steel - no letter designation required S Stainless Steel	SJ	C Coupler N Nipple	4 - 1/4"	4 - 1/4"	F	**
			6 - 3/8"	6 - 3/8"	Female NPSF ²	Nitrile (AMS3215)
			8 - 1/2"	8 - 1/2"	M	V
			12 - 3/4"	12 - 3/4"	Male NPT	Viton (MIL-R-25897)
			16 - 1"	16 - 1"	RP	JF
			20 - 1-1/4"	20 - 1-1/4"	Female British	Nitrile (MIL-P-5315)
			24 - 1-1/2"	24 - 1-1/2"	32 - 2"	M
			32 - 2"	32 - 2"	Parallel BS2779	Nitrile (MIL-P-25732)
			40 - 2-1/2"	40 - 2-1/2"	48 - 3"	E
			48 - 3"	48 - 3"	Female SAE O'Ring Boss	E
			64 - 4"	64 - 4"	EM	Ethylene Propylene
			80 - 5"	80 - 5"	Male SAE 37°	AS Aflas K Kalrez

¹For other end fittings and seal or coupling materials, consult the factory.

²NPSF Female straight pipe thread on sizes to 1" taper pipe on sizes above 1".

Separation Forces at 1000 psi (69 bar)

Size (inches)	Forces in Pounds (kilograms)
1/4	150 (68)
3/8	200 (91)
1/2	310 (141)
3/4	670 (304)
1	1100 (499)
1-1/4	1600 (725)
1-1/2	2775 (1259)
2	4000 (1814)
2-1/2	7070 (3210)
3	10175 (4626)
4	17000 (7730)
5	24800 (11275)

Pressure Ratings psi (bar)

Size	Steel	Stainless Steel
1/4"	11000 (758)	10000 (689)
3/8"	11000 (758)	8000 (551)
1/2"	11000 (758)	8000 (551)
3/4"	9000 (620)	7000 (482)
1"	6000 (413)	4000 (275)
1-1/4"	5000 (344)	1000 (69)
1-1/2"	5000 (344)	3000 (206)
2"	4000 (275)	1000 (69)
2-1/2"	1000 (69)	400 (27)
3"	750 (51)	400 (27)
4"	500 (34)	300 (21)
5"	500 (34)	300 (21)

Burst pressures listed were taken at the point at which failure rendered the quick-disconnect inoperative. (Proof pressure equals 1-1/2 times working pressure. Burst pressure equals 2 times working pressure.)

NOTE: Pressure ratings were established under static pressure conditions. For high impulse applications, multiply the above pressure ratings by .6 for approximate pressure ratings.

Maximum Recommended Connect/Disconnect Pressure

Not Applicable

01-0032SE-0901

★
Snap-Tite



Quick Disconnect Couplings
Designed for the Offshore Industry

Snap-tite has utilized many features in the design of couplings

- ▶ Numerous corrosion resistant materials such as 316, 6MO, Nitronic, Monel, Inconel, Hastelloy, Cronifer and Cobalt.
- ▶ NACE MR-01-75 approved material for seawater applications.
- ▶ Various surface coatings to enhance the surface strength for wear resistance to prevent base metal damage.
- ▶ A wide variety of end fittings are available including Autoclave Engineers cone and threaded end connections.
- ▶ An operating pressure range of 29.7 inches of Hg vacuum to 40,000 psi (2760 bar).
- ▶ Various seal configurations utilizing elastomer and polymer seals, including PEEK*
- ▶ Numerous valve configurations including poppet and dry break in balanced and non-balanced designs.
- ▶ Connect and disconnect under pressure capability.
- ▶ The ability to key the couplings to prevent interconnecting.
- ▶ Diver or ROV mateable.
- ▶ Multi-coupling panel systems with various locking devices, couplings and configurations.
- ▶ The capability to interconnect with competitive couplings and fit into existing panels.
- ▶ Full material and process traceability is available.

Snap-tite has been designing and manufacturing couplings and multi-coupling panel systems for numerous industries including the offshore industry for more than 25 years. We currently have couplings or multi-coupling panels in various oil and gas producing fields worldwide. Our couplings are used in a variety of areas, from blowout preventers to the control modules and distribution of coolants and hydraulic fluids.

Founded in 1935, Snap-tite has grown into a corporation producing over 50 product lines in 9 facilities located in the United States and Europe. Snap-tite is widely recognized for it's role in problem solving for the military, aerospace, electronic cooling, mobile equipment, natural gas vehicle and appliance industries to name a few.

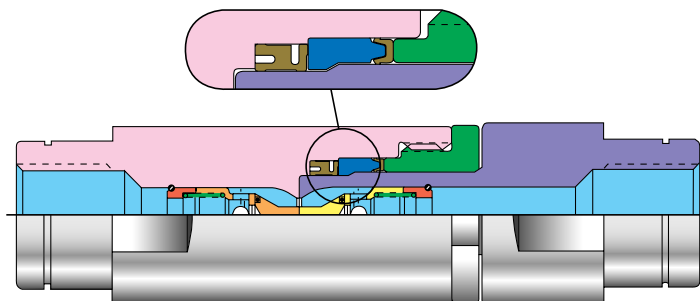
The Snap-tite Quality Assurance System, exceeding the requirements of MIL-I-45208A, is independently certified to ISO-9001 and meets the requirements of NHB 5300.4 (2B) and CSA Z299. Snap-tite's certified quality program assures customers of documented quality to the above recognized worldwide standards through all areas of contract performance design, development, manufacturing, test and delivery.

*Trademark of Victrex

Designs

There are two commonly used coupling designs for sub-sea applications...

Poppet Design

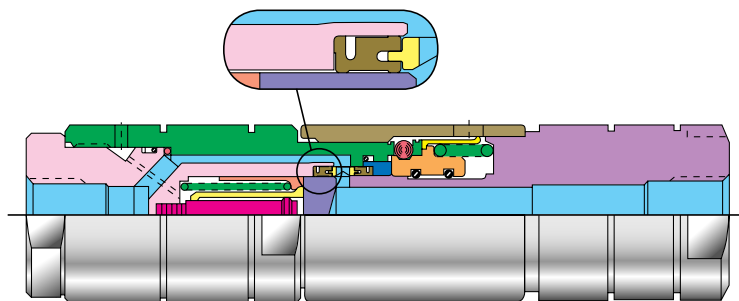


The poppet design coupling is the most commonly used for sub-sea applications. The simple proven design is reliable and economical.

Features:

- Compact envelope
- Simple design
- Economical
- Proven design reliability
- Connect and disconnect at full system pressure
- Sizes (C_v): 1/8" (.24), 1/4" (.66), 3/8" (1.3), 1/2" (2.3)*

Balanced Design



The balanced design is Snap-tite's latest design improvement for sub-sea application. The separation force is typically less than 100 pounds (45kg) for each coupling while pressurized internally to 10000 psig (690 bar). Spillage and water ingress are nearly eliminated and the envelope is only slightly larger than that of most commonly used poppet couplings.

Features:

- Compact envelope
- Eliminates hydraulic "lock-up"
- Proven design reliability
- Reduced spillage and water ingress
- Lower cost because of reduced clamping force required
- Connect and disconnect at full system pressure
- Sizes (C_v): 3/8" (1.16), 1/2" (2.9)*

*Other sizes can be designed for either type of coupling upon request.

Seal Material

PEEK* Seal Features & Benefits

- ▶ Memory (set resistance) exceeds metal seals 20:1
PEEK seals successfully tested through thousands of connect/disconnect cycles while metal seals tend to fail after relatively few cycles
- ▶ PEEK exceeds chemical and corrosion resistance of nearly all metals in sub-sea applications
- ▶ Comparable performance strength to that of metal seals
- ▶ Excellent abrasion resistance to sand and dirt which would tend to damage sealing surfaces of metal seals in sub-sea conditions.
- ▶ Excellent temperature stability within a temperature range of -40°F to +480°F (-40°C to +249°C)
- ▶ PEEK strength and flexibility eliminates need for secondary elastomer back-up seals
- ▶ Unlike metal seals, PEEK seals are easily field repairable
- ▶ PEEK seals have a proven track record

Snap-tite's sub-sea couplings utilize elastomer seals or polymer seals manufactured from PEEK. This material is used as a direct replacement for metal seals and eliminates the inherent sealing problems common to metal seals. It exceeds the chemical and corrosion resistance of nearly all of the metals currently used in sub-sea applications. PEEK has been proven by extensive use as a material for pump and valve seals for sub-sea application; chemical processing equipment and other highly corrosive fluids.

PEEK has excellent abrasion resistance and temperature stability which is very important for seals used in sub-sea applications. It's memory (set resistance) exceeds that of metal seals by a factor of approximately 20:1 and can tolerate greater abusive use. It's physical strength, flexibility, corrosion and abrasion resistance eliminates the need for metal seals. It has been fully tested for endurance by connecting and disconnecting under water while pressurized to 10,000 psi (690 bar) in excess of 5000 cycles without failure. Testing has been carried out in our own certified laboratory as well as in an independent laboratory and documented in both cases. PEEK seals eliminate the need for elastomer back-up seals and their inherent limitations. Because of their durability and simple design, these PEEK sealed couplings are generally field repairable without the use of special tools or extensive and costly training. Snap-tite's coupling designs are also available with other seal compounds such as Viton and nitrile. All these advantages provide the customer with a highly improved coupling for sub-sea applications.

*Trademark of Victrex



Typical hydraulic control circuit panel incorporating twelve 3/8" BN semi balanced couplings and three 1/2" BN semi balanced couplings (no additional separation force when pressurized). Two plate system utilizing cam-locking devices.

Hydraulic control circuit panel utilizing 1/8" HN style panel couplings and cam-locking device.



ROV installed stab plate uses PEEK sealed poppet style couplings in sizes 1/4" and 1/2" and includes guide pins to aid in alignment of the panels.

Snap-tite currently has couplings or multi-coupling panels in the following fields.

Total: Nuggets
 Norske Hydro: Oseberg
 Shell: Nelson
 Conoco: Lyell
 AGIP: Toni
 AGIP: Thelma
 Marathon: West Brae
 Shell: Sarawak
 Talisman: Ross
 BP: Schiehallion

British Gas: Morecambe Bay
 BP: Bruce
 Kerr McGee: Gryphon
 Texaco: Strathspey
 AGIP: Tiffany
 Marathon: Arnold
 Saga Petroleum: Snorre A and B
 BP: South Everest
 Talisman: Orion
 Kerr McGee: Leadon

Other coupling designs and accessories are available from Snap-tite. These include mono-coupling (manual operation), diver mateable coupling equipped with handles, complete panel assemblies, protective covers and keyed (polarized) mono coupling to prevent cross media connections.

These couplings are protected by several patents, United States and worldwide.



Thread-to-Connect Coupling

- Fast operation - diver mateable for sub-sea application
- Working pressure to 10000 psig (690 bar)
- Fabricated from corrosion resistant materials for sub-sea application
- Connect and disconnect at full operating pressure



Mono Coupler

- Reduced separation force
- Poppet style valves
- Keyed (polarized) to prevent cross media connection
- Working pressure to 10000 psig (690 bar)
- Fabricated from corrosion resistant materials for sub-sea application



Poppet Coupling

- Available with elastomer or "PEEK" seals
- Working pressure to 10000 psig (690 bar)
- Connect and disconnect at full operating pressure
- Fabricated from corrosion resistant materials for sub-sea applications
- Locking and panel mounting options available



Dry Break Coupling

- Push-to-Connect modified for 3 panel operation
- Dry break design
- Working pressures to 10000 psig (690 bar)
- Flush valves minimize fluid loss and air inclusion
- Superior flow characteristics materials for sub-sea application
- Fabricated from corrosion resistant materials for sub-sea application



Balanced Coupling Design

- Available with elastomer "PEEK" seals
- Working pressures to 10000 psig (690 bar)
- Connect and disconnect at full operating pressure
- Minimum spillage and water ingress
- Fabricated from corrosion resistant materials for sub-sea application
- Locking and panel mounting options available



Multi-Coupling Panel System

- Designed and engineered to specific customer requirements
- Stainless steel panels
- Locking mechanism: Two plate system with single stainless steel cam lock with lock and unlock pin to prevent accidental disconnection
- Fabricated from corrosion resistant materials for sub-sea application



Inline Check Valves

- Soft seat, zero leakage
- Working pressure to 6000 psig (414 bar)
- Variety of end fittings
- Various crack pressures
- Flow rates to 175 US gpm (622 l/min)
- Fabricated from corrosion resistant materials for sub-sea application

! WARNING !

FAILURE OR IMPROPER SELECTION OR IMPROPER USE OF THE PRODUCTS AND/OR SYSTEMS DESCRIBED HEREIN OR RELATED ITEMS CAN CAUSE DEATH, PERSONAL INJURY AND/OR PROPERTY DAMAGE.

This document and other information from Snap-tite, Inc., its subsidiaries and authorized distributors, provides product and/or system options for further investigation by users having technical expertise. It is important that you analyze all aspects of your application and review the information concerning the product or system in the current product catalog. Due to the variety of operation conditions and applications for these products or systems, the user, through its own analysis and testing, is solely responsible for making the final selection of the products and systems and assuring that all performance, safety and warning requirements of the application are met.

The products described herein, including without limitation, product features, specifications, designs, availability and pricing, are subject to change by Snap-tite, Inc. and its subsidiaries at any time without notice.


COMPONENTS, INC.

Quick Disconnect & Valve Division
201 Titusville Road
Union City, Pennsylvania 16438-8699 USA
PH: 814-438-3821 FAX: 814-438-3069
e-mail: qd&v_sales@snap-tite.com
www.snap-tite.com


EUROPE

Industrial Estate
Whitemill - Wexford
Republic of Ireland
PH: 353 53 914 1566 FAX: 353 53 914 1582
e-mail: ste_sales@snap-tite.com
www.snap-tite.com

01-00048E-0810

ISO-9001 Certified