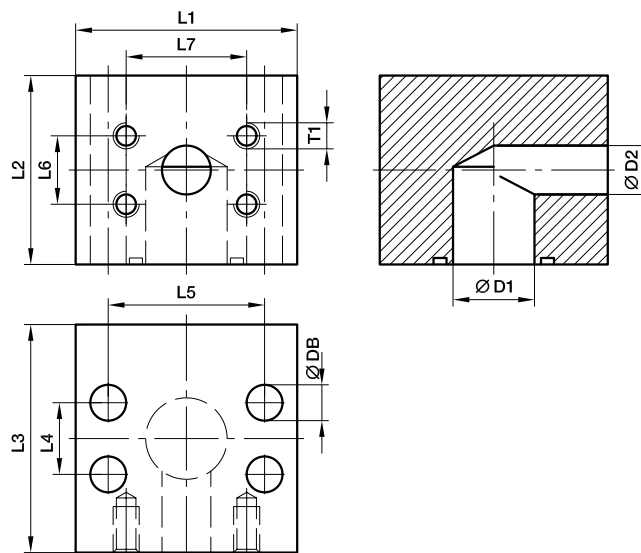




SAE Junction blocks

PBLR SAE 90° L-reduction block

SAE Flange reduction 90° block
(ISO 6162-1/-2)



6000 PSI Series

Nom. flange size		D1	D2	L1	L2	L3	L4	L5	L6	L7	DB	T1	Weight (steel) kg/piece	Order code*	PN (bar) ¹⁾	
SAE (in)	ISO (DN)														S	SS
1	25	25	19	80	69	69	27.8	57.2	23.8	50.8	13	M10	2.30	PBLR403-402	420	420
1 1/4	32	30	19	94	75	75	31.8	66.6	23.8	50.8	15	M10	3.30	PBLR404-402	420	420
1 1/4	32	30	25	94	75	75	31.8	66.6	27.8	57.2	15	M12	2.90	PBLR404-403	420	420
1 1/2	38	38	30	106	89	89	36.5	79.3	31.6	66.6	17	M14	5.40	PBLR405-404	420	420
2	51	50	38	135	116	116	44.5	96.8	36.7	79.3	21	M16	9.00	PBLR406-405	420	420

¹⁾ Pressure shown = Item deliverable

$\frac{PN \text{ (bar)}}{10} = PN \text{ (MPa)}$



*Please add the suffixes below according to the material / surface required.

Order code suffixes			
Material	Suffix surface and material	Example	Description
Steel, blanc oil dipped	S	PBLR403-402S	only flange block
Stainless steel	SS	PBLR403-402SS	only flange block

