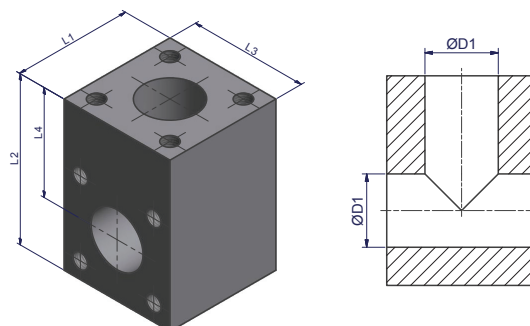


## TB(HPF) - Flange T-block

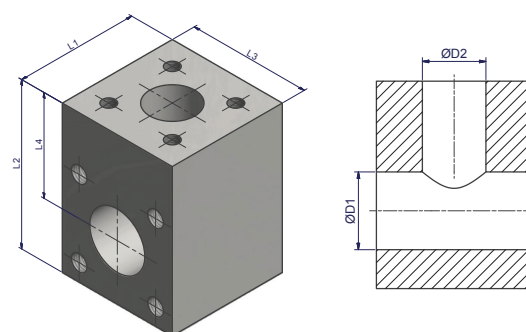
ISO 6164 footprint



Size Inch	Order code	D1	L1	L2	L3	L4	Weight (Steel) kg/1 piece	
2	<b>TB432CFX</b>	49.0	100.0	140.0	100.0	90.0	8.0	
2 1/2	<b>TBHPPF440CFX</b>	54.0	120.0	160.0	120.0	100.0	13.4	
3	<b>TBHPPF448CFX</b>	58.0	150.0	200.0	150.0	125.0	28.1	
3 1/2	<b>TBHPPF456CFX</b>	66.0	160.0	205.0	160.0	125.0	32.1	
4	<b>TBHPPF464CFX</b>	74.0	180.0	240.0	180.0	150.0	46.9	
4 1/2	<b>TBHPPF872CFX</b>	on request						
5	<b>TBHPPF880CFX</b>	on request						

Other sizes on request

## TBR - Flange T-block reducer



Size Inch	Order code	D1	D2	L1	L2	L3	L4	Weight (Steel) kg/1 piece
2 1/2 - 2 - 2 1/2	<b>TBRHPPF440-432-440CFX</b>	54.0	49.0	120.0	160.0	120.0	100.0	14.0
3 - 2 - 3	<b>TBRHPPF448-432-448CFX</b>	58.0	49.0	150.0	200.0	150.0	125.0	28.8
3 - 2 1/2 - 3	<b>TBRHPPF448-440-448CFX</b>	58.0	54.0	150.0	200.0	150.0	125.0	28.5
3 1/2 - 2 1/2 - 3 1/2	<b>TBRHPPF456-440-456CFX</b>	66.0	54.0	160.0	205.0	160.0	125.0	33.2
3 1/2 - 3 - 3 1/2	<b>TBRHPPF456-448-456CFX</b>	66.0	58.0	160.0	205.0	160.0	125.0	32.7
4 - 3 - 4	<b>TBRHPPF464-448-464CFX</b>	74.0	58.0	180.0	240.0	180.0	150.0	49.0
4 - 3 1/2 - 4	<b>TBRHPPF464-456-464CFX</b>	74.0	66.0	180.0	240.0	180.0	150.0	48.3
4 1/2 - 3 1/2 - 4 1/2	<b>TBRHPPF872-456-872CFX</b>	on request						
4 1/2 - 4 - 4 1/2	<b>TBRHPPF872-464-872CFX</b>	on request						
5 - 4 - 5	<b>TBRHPPF880-464-880CFX</b>	on request						
5 - 4 1/2 - 5	<b>TBRHPPF880-872-880CFX</b>	on request						

Other sizes on request

Please change **suffixes** according to coating

Coating	Suffix surface and material	Example Flange T-block	Example Flange T-block reducer
Steel, zinc plated, Cr(VI)-free	CFX	TB440CFX	TBR440-432-440CFX
Steel, oiled	SX	TB440SX	TBR440-432-440SX

