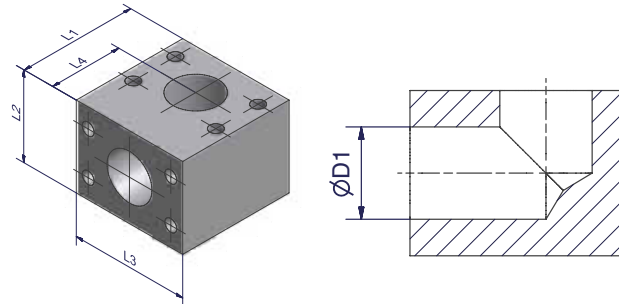


Parflange® F37 – SAE 3000/ISO 6162-1

LB – Flange L-block

SAE 3000/ISO 6162-1



Size Inch	Order code	D1	L1	L2	L3	L4	Weight (Steel) kg/1 piece
1	LB316CFX	25	70	48	70	46	1.5
1 1/4	LB320CFX	30	80	58	80	51	2.4
1 1/2	LB324CFX	38	90	68	90	56	3.4
2	LB332CFX	50	96	78	100	57	4.4
2 1/2	LB340CFX	60	110	88	110	65	6.0
3	LB348CFX	73	135	110	135	80	11.3

Other sizes on request

Please change suffixes according to material/surface required

Order code suffixes		
Material	Suffix surface and material	Example
Steel, zinc plated, Cr(VI)-free	CF	LB320CFX
Stainless steel	SS	LB320SSX

ENGINEERING YOUR SUCCESS.