

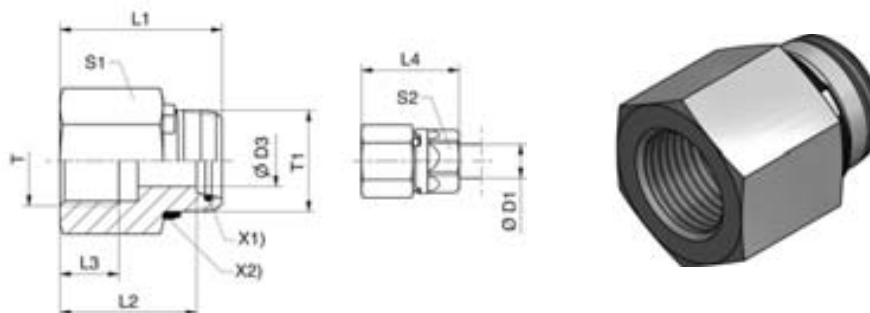


EO-3®-Tube fittings

GAI-R EO-3® Female connector

Female BSPP thread (ISO 1179-1)

X1) O-ring
X2) Indication-ring
T1 = Special thread
characteristic-Ø



D1	T	D3	T1	L1	L2	L3	L4	S1	S2	Weight g/1 piece	Order code*	PN
6	G 1/8	4	11.5	24	19.5	8	29	14	14	20	GAI06P3ROMDCF	420
8	G 1/4	6	14.5	29	24	12	35	19	17	42	GAI08P3ROMDCF	420
10	G 1/4	8	16.5	30	25	12	36.5	19	19	45	GAI10P3ROMDCF	420
12	G 3/8	10	19	31	26	12	37.5	24	22	70	GAI12P3ROMDCF	420
15	G 1/2	12	24	38.5	33.5	14	46.5	30	27	136	GAI15P3ROMDCF	420
16	G 1/2	12	24	38.5	32.5	14	46.5	30	27	134	GAI16P3ROMDCF	420
18	G 1/2	15	26	38.5	32.5	14	46.5	30	30	133	GAI18P3ROMDCF	420
20	G 3/4	16	29.5	43.5	37.5	16	53	36	32	204	GAI20P3ROMDCF	420
22	G 3/4	18	29.5	39.5	33.5	16	48	36	32	183	GAI22P3ROMDCF	250
25	G 1	20	37	48.5	41.5	18	58.5	46	41	373	GAI25P3ROMDCF	420
28	G 1	24	37	44.5	37.5	18	53	41	41	242	GAI28P3ROMDCF	250
30	G 1 1/4	25	43.5	54.5	46.5	20	66.5	60	50	696	GAI30P3ROMDCF	420
35	G 1 1/4	30	45	50.5	42.5	20	60.5	55	50	501	GAI35P3ROMDCF	250
38	G 1 1/2	32	52	58.5	49.5	22	71.5	65	60	831	GAI38P3ROMDCF	420
42	G 1 1/2	36	52	54.5	46.5	22	64.5	60	60	597	GAI42P3ROMDCF	250

$\frac{PN \text{ (bar)}}{10} = PN \text{ (MPa)}$

Delivery without nut
* Please add the **suffixes** below according to the sealing material required
NBR = Standard, no suffix required
FKM = on request