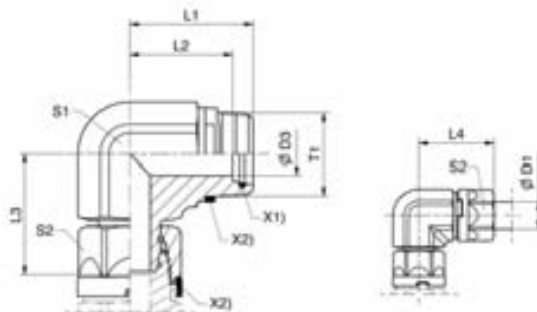



EW EO-3® Adjustable swivel Elbow

X1) O-ring
 X2) Indication-ring
 T1 = Special thread
 characteristic-Ø



D1	D3	T1	L1	L2	L3	L4	S1	S2	Weight g/1 piece	Order code*	PN
6**	4	11.5	22	17.5	21.5	27	12	14	36	EW06P3OMDCF	420
8	6	14.5	25.5	20.5	25	31.5	14	17	56	EW08P3OMDCF	420
10**	8	16.5	25	20	26.5	31.5	17	19	75	EW10P3OMDCF	420
12	10	19	29	24	27	35.5	19	22	101	EW12P3OMDCF	420
15**	12	24	36	31	34.5	44	24	27	205	EW15P3OMDCF	420
16**	12	24	36	30	34.5	44	24	27	178	EW16P3OMDCF	420
18	15	26	39	33	34.5	47	27	30	249	EW18P3OMDCF	420
20**	16	29.5	40	34	38	49.5	27	32	282	EW20P3OMDCF	420
22**	18	29.5	36	30	37.5	42.5	27	32	231	EW22P3OMDCF	250
25	20	37	49	42	49.5	59	41	41	747	EW25P3OMDCF	420
28	24	37	45	38	47.5	53.5	41	41	616	EW28P3OMDCF	250
30	25	43.5	55.5	47.5	55.5	67.5	48	50	1146	EW30P3OMDCF	420
35	30	45	51.5	43.5	53	61.5	48	50	925	EW35P3OMDCF	250
38	32	52	60	51	60	73	50	60	1328	EW38P3OMDCF	420
42	36	52	56	48	56	66	50	60	1018	EW42P3OMDCF	250

$$\frac{\text{PN (bar)}}{10} = \text{PN (MPa)}$$

Delivery without nut at tube side

** Attention! Because of forging adjustments, dimensions differ from previous catalogue (4131-1).

* Please add the **suffixes** below according to the sealing material required

NBR = Standard, no suffix required

FKM = on request

