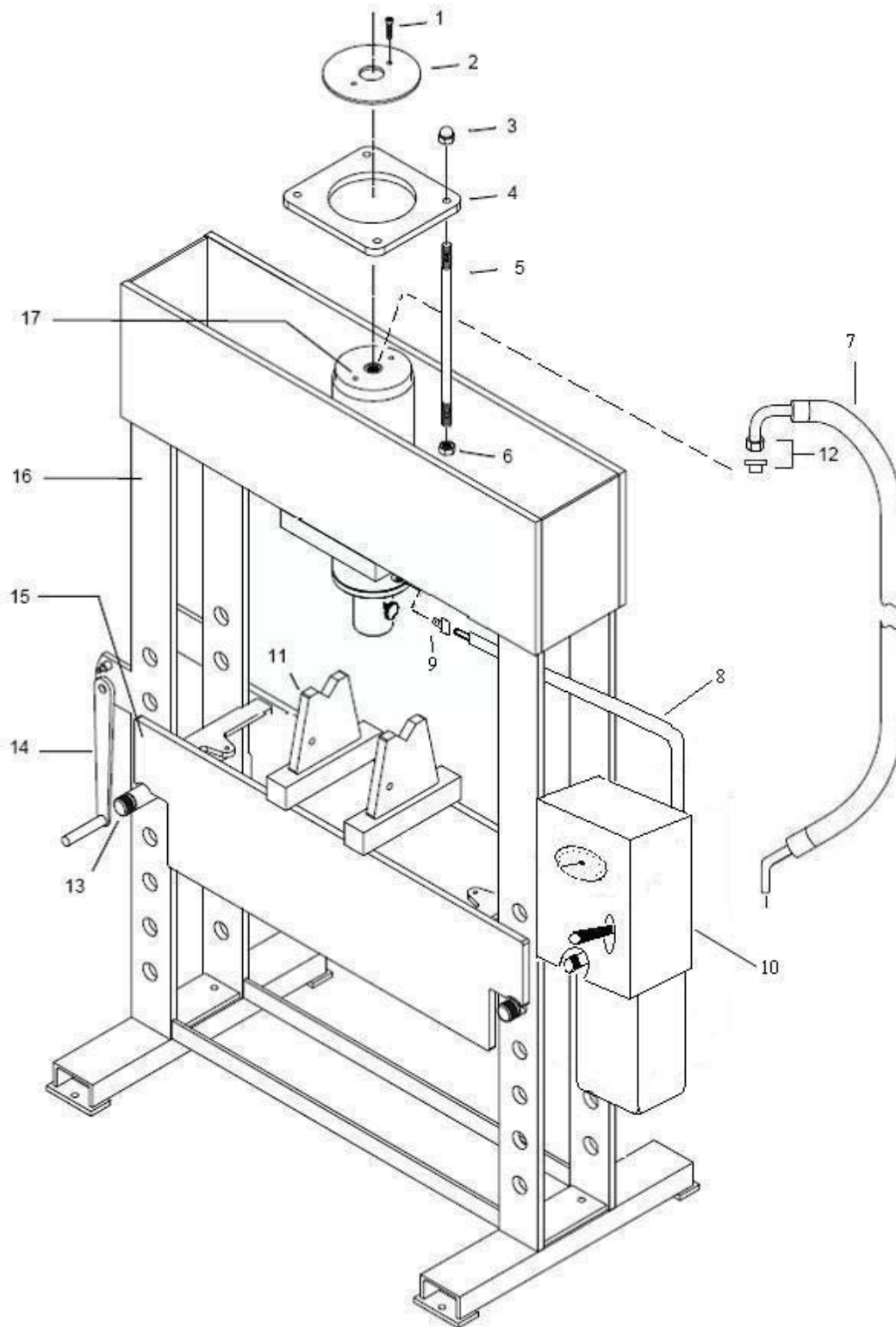


EP40 G5

2010-03-12



SN

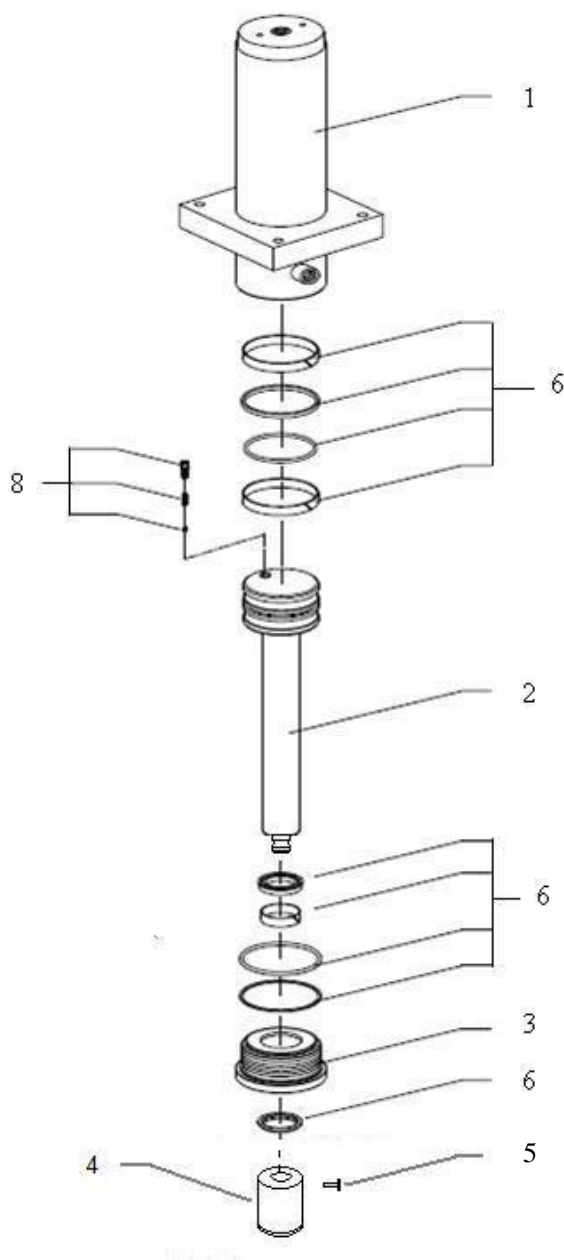
Side 1

22-06-2010

EP40 G5

| Pos. | No. | Dansk | Deutsch | English | Français |
|------|--------|-----------------------|-----------------------|---------------------|----------------------|
| 1 | 003550 | Skrue | Schraube | Screw | Vis |
| 2 | 003551 | Sikkerhedsskive | Sicherungsscheibe | Safety Washer | Disque de Sécurité |
| 3 | 851696 | Slutmøtrik | Mutter | Nut | Ecrou |
| 4 | 003552 | Cylinder ophæng | Zylinderbefestigungen | Cylinder bracket | montages de Cylindre |
| 5 | 003549 | Støttebolt f Cylinder | Schraube | Screw | Vis |
| 6 | 851697 | Møtrik | Mutter | Nut | Ecrou |
| 7 | 003305 | Slange | Schlauch | Hose | Tube |
| 8 | 003305 | Slange | Schlauch | Hose | Tube |
| 9 | 002208 | Fitting 3/8"-12 | Fitting | Fitting | Raccordement |
| 10 | 928186 | Pumpe | Pumpe | Pump | Pompe |
| 11 | 000388 | Retteklods | Richtbock | Straightening block | Blocs de redressage |
| 12 | 002016 | Fitting 1/2"-12 | Fitting | Fitting | Raccordement |
| 13 | 000390 | Nagle | Nagel | Shaft | Rivet |
| 14 | 001587 | Håndtag f spil | Handgriff | Handle | Manivelle |
| 15 | 000391 | Bord | Tisch | Bench | Table |
| 16 | 003577 | Chassis | Chassis | Chassis | Châssis |
| 17 | 003583 | Cylinder EPC40-G5 | Zylinder | Cylinder | Cylindre |

EPC40 G5 (003583)



| Pos | No | Dansk. | Deutsch | English | Français |
|-----|--------|-------------------------|-------------------------|--------------------------------|------------------------|
| 1 | 003553 | Cylinderrør | Zylinderrohr | Cylinder Barrel | Cylindre |
| 2 | 003554 | Stempel | Kolben | Piston | Piston |
| 3 | 003555 | Pakdåse | Stopfbüchse | Stuffing box | Ecrou piston |
| 4 | 002854 | Trykhoved | Kolbenkopf | Piston head | Tête de piston |
| 5 | 002828 | Skrue | Schraube | Screw | Vis |
| 6 | 060086 | Rep. sæt Cylinder | Kit Dichtung Zylinder | Repair kit Ram | Kit de cylindre |
| 8 | 003537 | Overtryksventil Komplet | Überdruckventil Komplet | Excess-pressure valve complete | Soupape de surpression |

SN

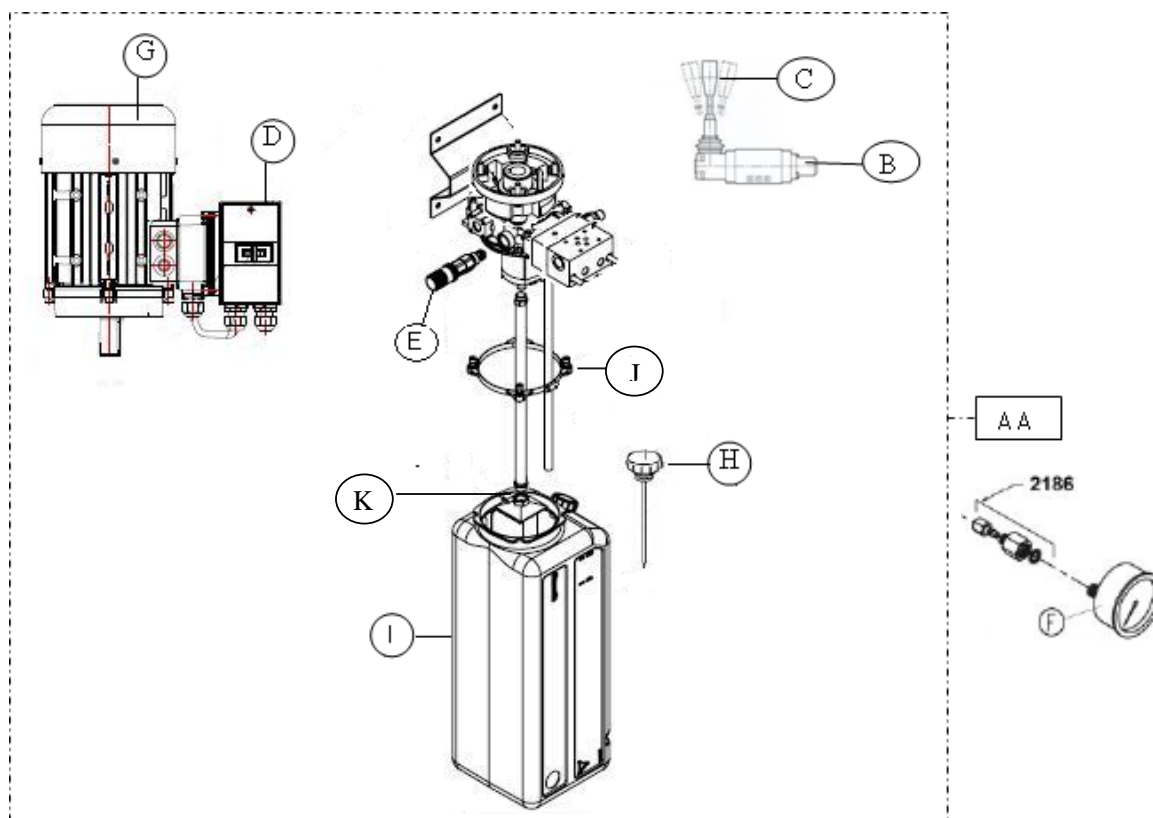
Side 3

22-06-2010

EP40 G5

EPP 3.6 L (873248) (928186)

Dobbeltvirkende / Double- acting / Doppelwirkend / A Double effet



| Pos. | No. | DANSK. | DEUTSCH. | ENGLISH. | FRANÇAIS. |
|------|--------|----------------------------------------|-----------------------------------------|------------------------------------------|---------------------------------------------------|
| (AA) | 928186 | Pumpeenhed (3,6L) | Pumpeneinheit | Pump unit | Unité de pompe |
| (B) | 003567 | Betjeningsventil | Bedienungsventil | Manoeuvring valve | Soupape de manoeuvre |
| (C) | 003568 | Betjeningshåndtag | Handgriff f. Bedienung | Handle for Man. valve | Poignée de commande |
| (D) | 003569 | Motorværn komplet 3x400V 50Hz | Motorschutzschalter komplett | Motor Protecting switch complete | Interrupteur Protecteur complet |
| (D) | 003570 | Motorværn komplet 3x230V 50Hz | Motorschutzschalter komplett | Motor Protecting switch complete | Interrupteur Protecteur complet |
| (E) | 003571 | Håndgreb for trykbegrænsningsventil | Handgriff für Druckbegrenzungsventil | Handle for the excess- pressure valve | Poignée pour soupape de limitation de pression |
| (F) | 871398 | Manometer | Manometer | Pressure gauge | Manomètre |
| | 002186 | Manometer Fitting | Manometer Fitting | Pressure gauge Fitting | Manomètre Fitting |
| (G) | 003274 | Motor 3x400V-3x230V 50Hz | Motor | Motor | Moteur |
| (H) | 003275 | Olieprop med målepind | Ölschraube mit Meßstab | Oil plug with test prod | Bouchon d'huile avec sonde |
| (I) | 003572 | Olie beholder | Öltank | Oil tank | Réservoir d'huile |
| (J) | 003573 | Pakning | Dichtung | Gasket | Joint |
| (K) | 003574 | Filter | Filter | Filter | Filtre |

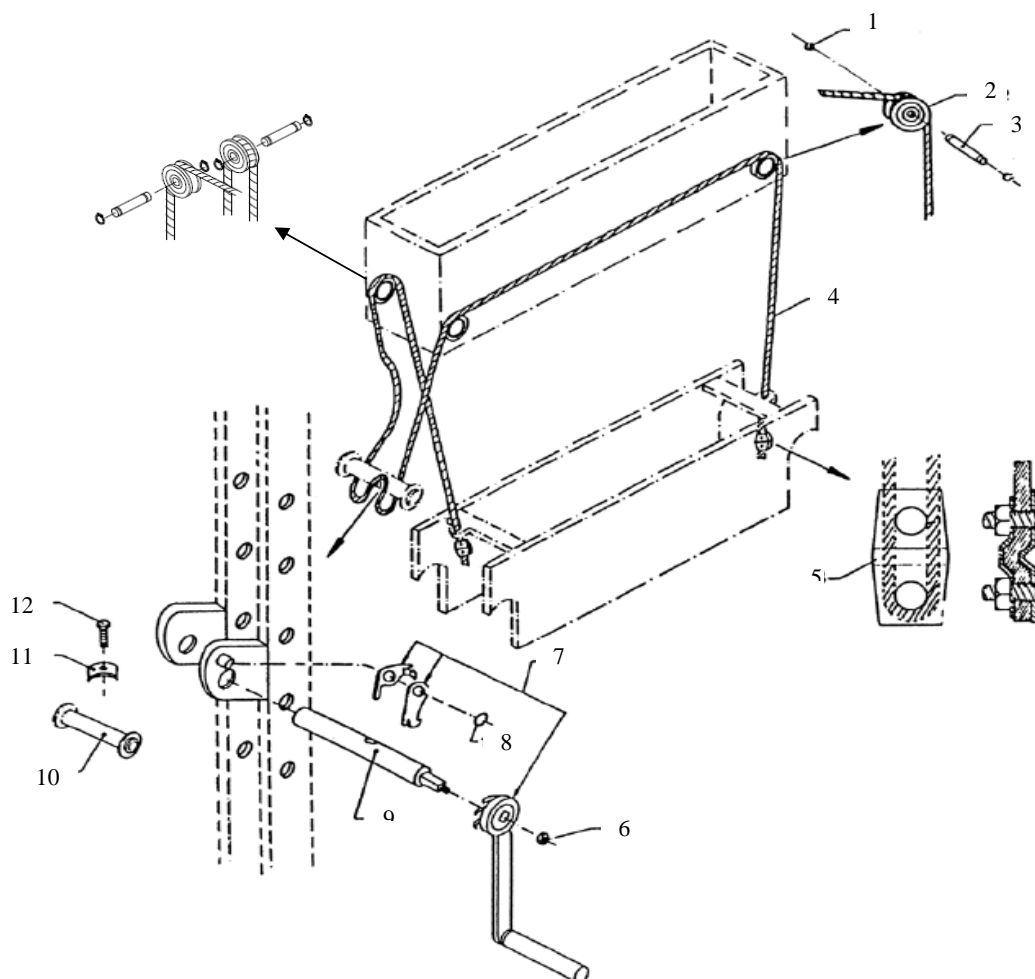
SN

Side 4

22-06-2010

EP40 G5

050134



| Pos. No. | Dansk | Deutsch | English | Français | |
|----------|--------|----------------|-----------------|-----------|---------------|
| 1 | 000120 | Låserring | Seegerring | Lock ring | Circlips |
| 2 | 000392 | Rulle | Rolle | Roller | Aiguille |
| 3 | 000393 | Nagle | Nagel | Rivet | Rivet |
| 4 | 000731 | Wire | Draht | Wire | Câble pour |
| 5 | 001645 | Wire Lås | Drahtseilklemme | Wire lock | Serre - Cable |
| 6 | 001573 | Møtrik | Mutter | Nut | Ecrou |
| 7 | 001587 | Håndtag f spil | Handgriff | Handle | Manivelle |
| 8 | 001586 | Låserring | Seegerring | Lock ring | Circlips |
| 9 | 002190 | Aksel f Spil | Achse | Shaft | Axe |
| 10 | 001646 | Bom f Spil | Rolle f Draht | Pulley | Poulie soudée |
| 11 | 001590 | Wire Lås | Drahtseilklemme | Wire lock | Serre - Cable |
| 12 | 001585 | Skrue | Schraube | Screw | Vis |