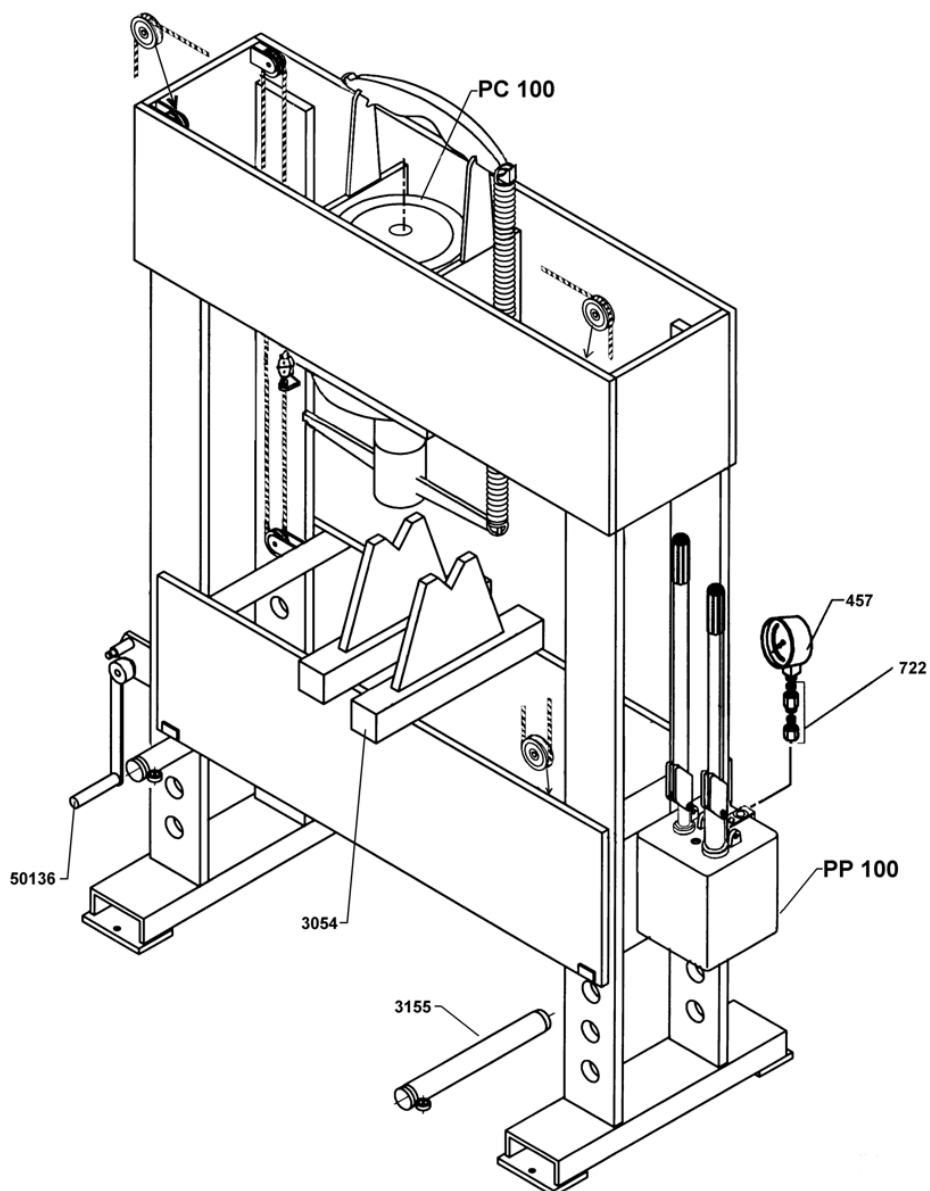


## HP 100F G2

No.	DANSK.	DEUTSCH.	ENGLISH.	FRANÇAIS.
457	Manometer	Manometer	Pressure gauge	Manomètre
722	Fitting for manometer	Anschluß für Manometer	Connection for Pressure gauge	Raccordement p. Manomètre
3054	Retteklods	Richtblock	Straightening block	Blocs de redressage
3155	Nagle	Nagel	Shaft	Clou
50136	Spil, komplet	Winde, komplett	Winch, complete	Cabestan, complète

## HP100F G2

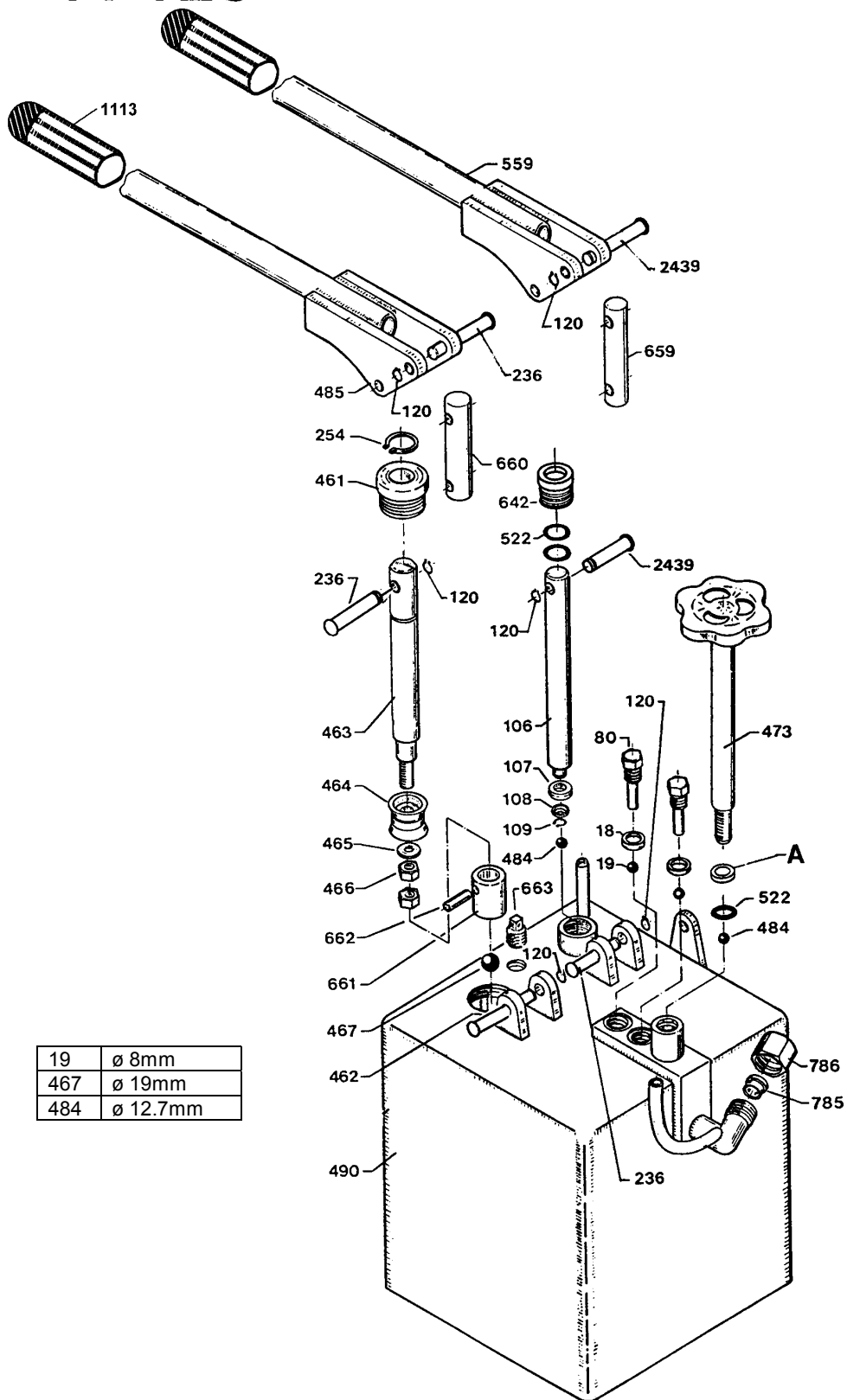
2003.08.19->



1.2.1081F 1/1  
2006.01.18

2006.01.18

# PP100 PP125



2.2. 8153 1/1-U3

2003.08.19

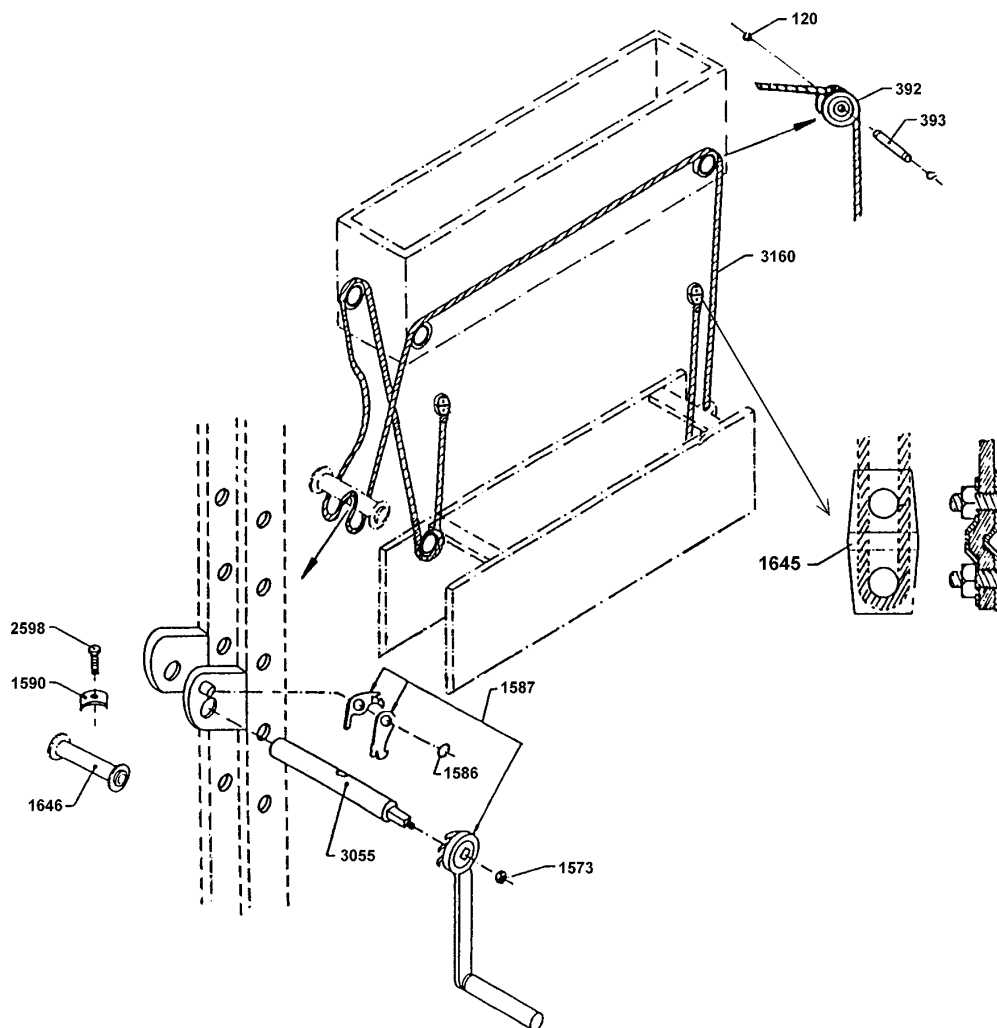
**PP100, PP125**

No.	DANSK.	DEUTSCH.	ENGLISH.	FRANCAIS.
* 18	Kobberpakning	Kupferdichtung	Copper washer	Joint cuivre
* 19	Ventilkugle	Ventilkugel	Valve ball	Bille de clapet
80	Ventilprop	Ventilschraube	Valve plug	Vis de clapet
106	Pumpestempe	Pumpenkolben	Pump Piston	Piston de pompe
* 107	Manchet	Manschette	Spacer	Bague
* 108	Messingring	Messingring	Brass ring	Anneau en laiton
* 109	Låsering	Seegerring	Lock ring	Circlips
120	Låsering	Seegerring	Lock ring	Circlips
236	Nagle	Bolzen	Shaft	Rivet
* 254	Låsering U25	Seegerring U25	Lock ring U25	Circlips U25
461	Bøsning	Buchse	Bushing	Manchon
462	Nagle	Nagel	Rivet	Rivet
463	Pumpestempe	Pumpenkolben	Pump piston	Piston de pompe
* 464	Manchet	Manschette	Sleeve	Bague
* 465	Skive	Scheibe	Washer	Rondelle
466	Møtrik	Mutter	Nut	Ecrou
* 467	Kugle	Kugel	Ball	Boule
473	Udløerspindel	Ablæsspindel	Release spindle	Manette de relâche
* 484	Kugle	Kugel	Ball	Bille
485	Pumpestang	Pumpenstange	Pump rod	Manivelle de pompe
490	Pumpehus	Pumpengehåuse	Pump housing	Corps de pompe
* 522	O-ring	O-ring	O-ring	Joint torique
559	Pumpestang	Pumpenstange	Pump rod	Manivelle de pompe
642	Pakdåse	Stopfbuchse	Stuffing box	Ecrou piston
659	Mellemlid, pumpe	Zwischenglied, Pumpe	Connecting link, pump	Corps de transmission
660	Mellemlid, pumpe	Zwischenglied, Pumpe	Connecting link, pump	Corps de transmission
661	Bøsning	Buchse	Bushing	Manchon
662	Nagle	Nagel	Rivet	Rivet
663	Oljeprop	Ölschraube	Oil plug	Bouchon d'huile
785	Skæring	Schneidring	Cutting ring	Anneau coupeur
786	Møtrik	Mutter	Nut	Ecrou
1 113	Håndtag	Handgriff	Handle	Poignée
2439	Nagle	Bolzen	Shaft	Rivet
60073	Pakningssæt	Dichtungssatz	Repair kit	Jeu de joints
*	Indeholdt i pakningssæt	Im Dichtungssatz enthalten	Contained in the repair-kit	Contenu dans le jeu de joint

## 50136

No.	DANSK.	DEUTSCH.	ENGLISH.	FRANCAIS.
120	Låsering	Sicherungsring	Lock ring	Circlips
392	Rulle	Rolle	Roller	Poulie
393	Nagle	Nagel	Shaft	Rivet
1573	Møtrik	Mutter	Nut	Ecrou
1586	Låsering	Seegering	Lock ring	Circlips
1587	Håndtag	Handgriff	Handle.	Manivelle
1590	Lås for wire	Drahtseilklemme	Wire lock	Serre-câble, tendeur
1645	Wirelås, 5mm	Drahtseilklemme, 5mm	Wire lock, 5mm	Serre-câble, tendeur
1646	Bom	Rolle	Pulley	Poulie
2598	Skrue	Schraube	Screw	Vis
3055	Aksel for spil	Achse	Shaft	Abre
3160	Wire	Draht	Wire	Câble métallique

## 050136 (HP100 G2)



2.2.50136-1/1

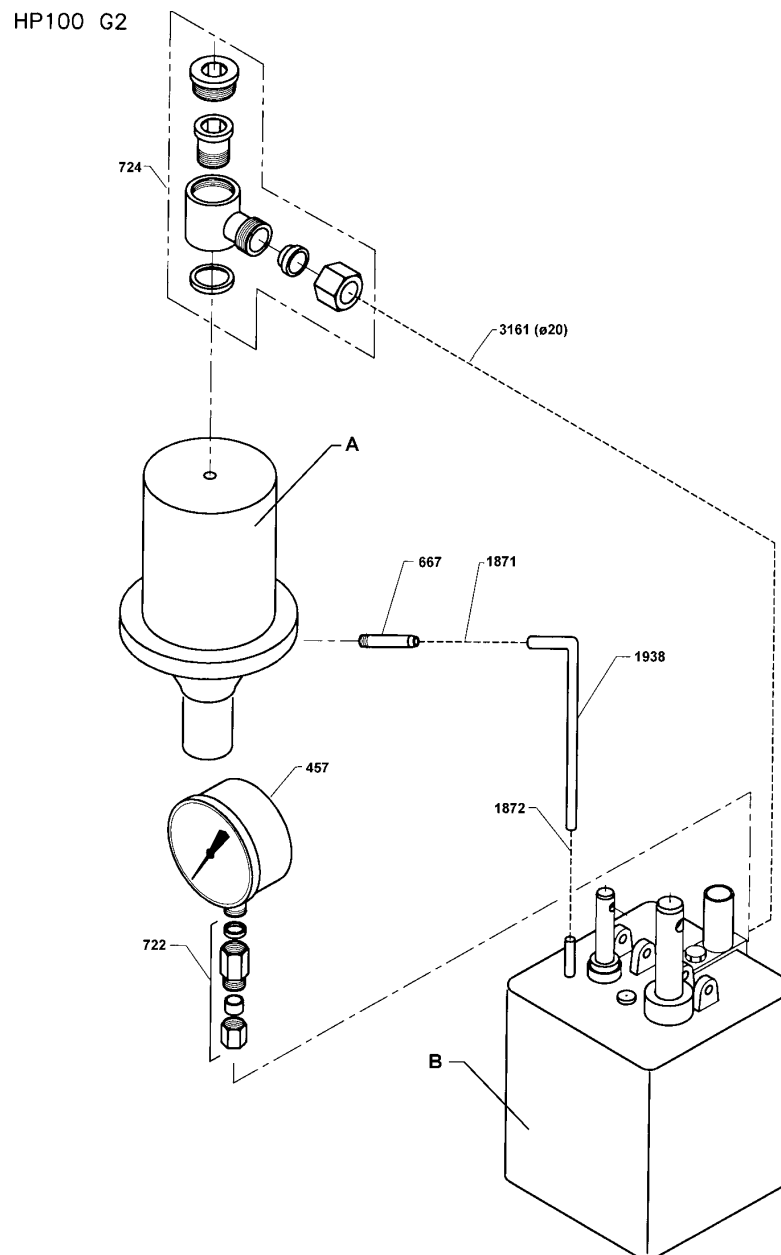
2003.12.02

2.3.50136 1/1

2003.12.02

## HP 100 G2 Rør, Rohr, Pipe, Tuyau

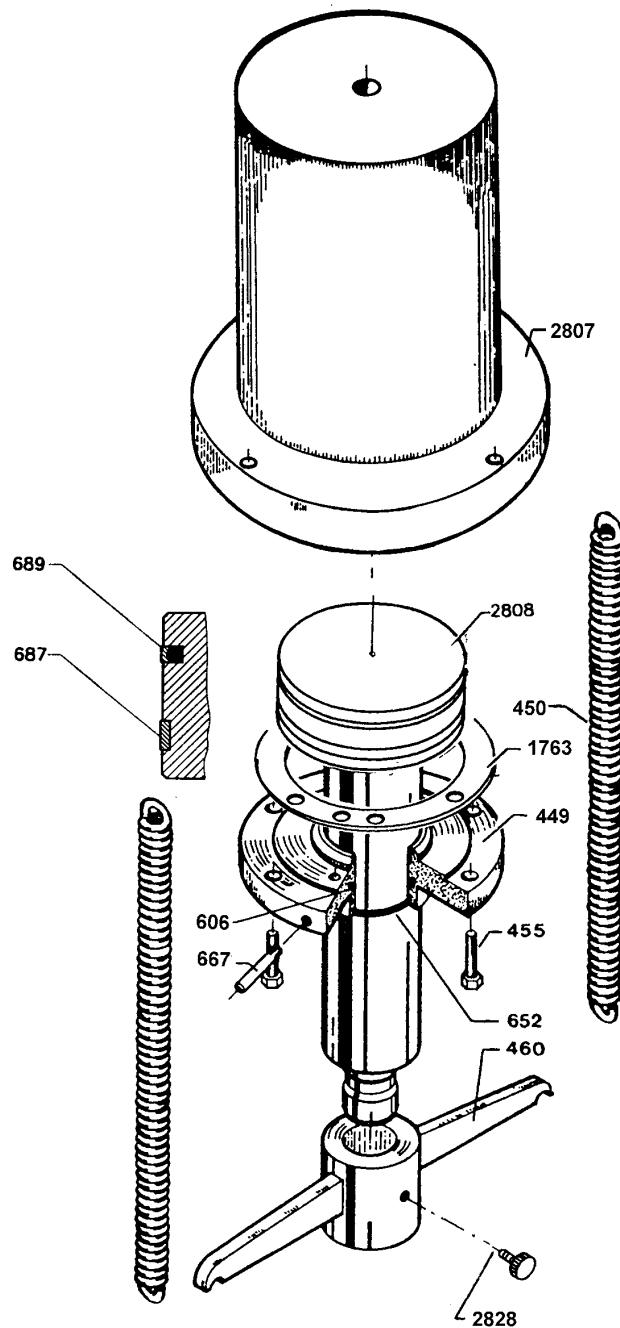
No.	DANSK.	DEUTSCH.	ENGLISH.	FRANÇAIS.
457	Manometer	Manometer	Pressure gauge	Manomètre
667	Studs	Stutzen	Pipe branch	Tubulure
722	Fitting for manometer	Anschluß für Manometer	Connection for pressure gauge	Raccordement p. Manomètre
724	Fitting, komplet	Fitting, komplett	Fitting, complete	Raccord, complète
1871	Slange	Schlauch	Hose	Tube
1872	Slange	Schlauch	Hose	Tube
1938	Rør	Rohr	Pipe	Tuyau de retour
3161	Trykrør	Druckrohr	Pressure pipe	Tuyau de refoulement
A	Cylinder PC100 ø225	Zylinder PC100 ø225	Cylinder PC100 ø225	Cylindre PC100 ø225
B	Pumpe PP100	Pumpe PP100	Pump PP100	Pompe PP100



2003.12.02

# PC100 ø225 PC125 ø225

2000-04-20-->



2.2. 8117 1/1 U1

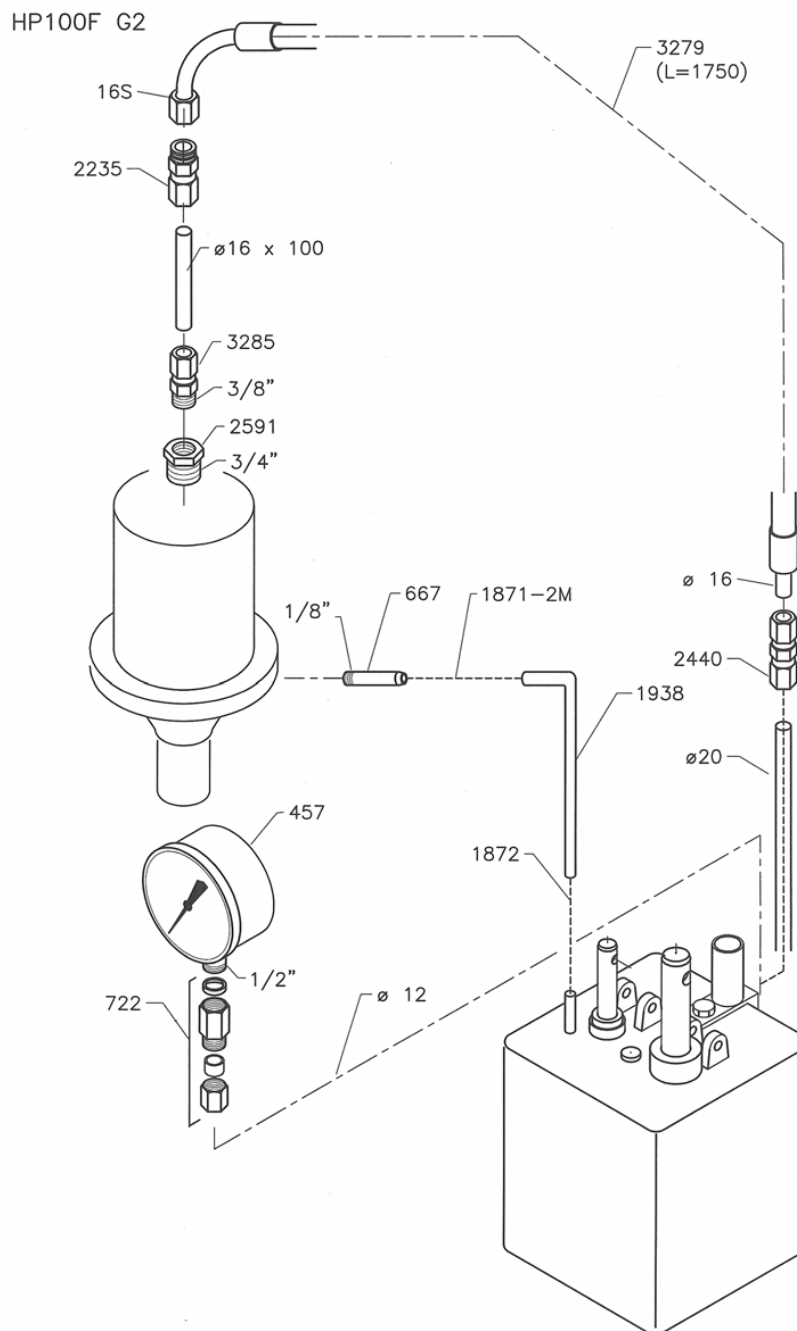
2003.08.19

## PC100, PC125 ø225

No.	DANSK.	DEUTSCH.	ENGLISH.	FRANCAIS.
449	Pakdåse	Stopfbuchse	Stuffing box	Ecrou piston
450	Fjeder	Feder	Spring	Ressort
455	Bolt	Bolzen	Bolt	Boulon
460	Stempelhoved	Kolbenkopf	Piston head	Tête de piston
*606	O-ring	O-ring	O-ring	Joint torique
*652	Skrabering	Abstreifring	Scraper ring	Segment racleur
667	Overløbstud	Stutzen f. Schlauch	Pipe branch	Tuyau trop-plein
*687	Føringsbånd	Führungsring	Guide ring	Joint annulaire
*689	Glidring ø225	Gleitring ø225	Glydring ø225	Bague d'usure ø225
1763	Pakning, pap	Pappdichtung	Paper gasket	Joint, karton
2807	Cylinder	Zylinder	Cylinder	Cylindre
2808	Stempel	Kolben	Piston	Piston
2828	Håndhjul	Handgriff	Handle	Maneton á ailes
60070	Pakningsæt PC100,PC125 ø225	Dichtungssatz PC100,PC125 ø225	Repair kit PC100,PC125 ø225	Jeu de joints PC100,PC125 ø225
*	Indeholdt i pakningsæt	Im Dichtungssatz enthalten	Contained in the repair-kit	Contenu dans le jeu de joint

## HP100F G2 Rør, Rohr, Pipe, Tuyau

No.	DANSK.	DEUTSCH.	ENGLISH.	FRANÇAIS.
457	Manometer	Manometer	Pressure gauge	Manomètre
667	Studs	Stutzen	Pipe branch	Tubulure
722	Fitting	Fitting	Fitting	Raccord
1871-2M	Slange	Schlauch	Hose	Tube
1872	Slange	Schlauch	Hose	Tube
1938	Rør	Rohr	Pipe	Tuyau de retour
2235	Fitting	Fitting	Fitting	Raccord
2440	Fitting	Fitting	Fitting	Raccord
2591	Fitting	Fitting	Fitting	Raccord
3279	Slange	Schlauch	Hose	Tube
3285	Fitting	Fitting	Fitting	Raccord
A	Cylinder PC100 ø225	Zylinder PC100 ø225	Cylinder PC100 ø225	Cylindre PC100 ø225
B	Pumpe PP100	Pumpe PP100	Pump PP100	Pompe PP100



1.2.1081F Rør

2006.01.18