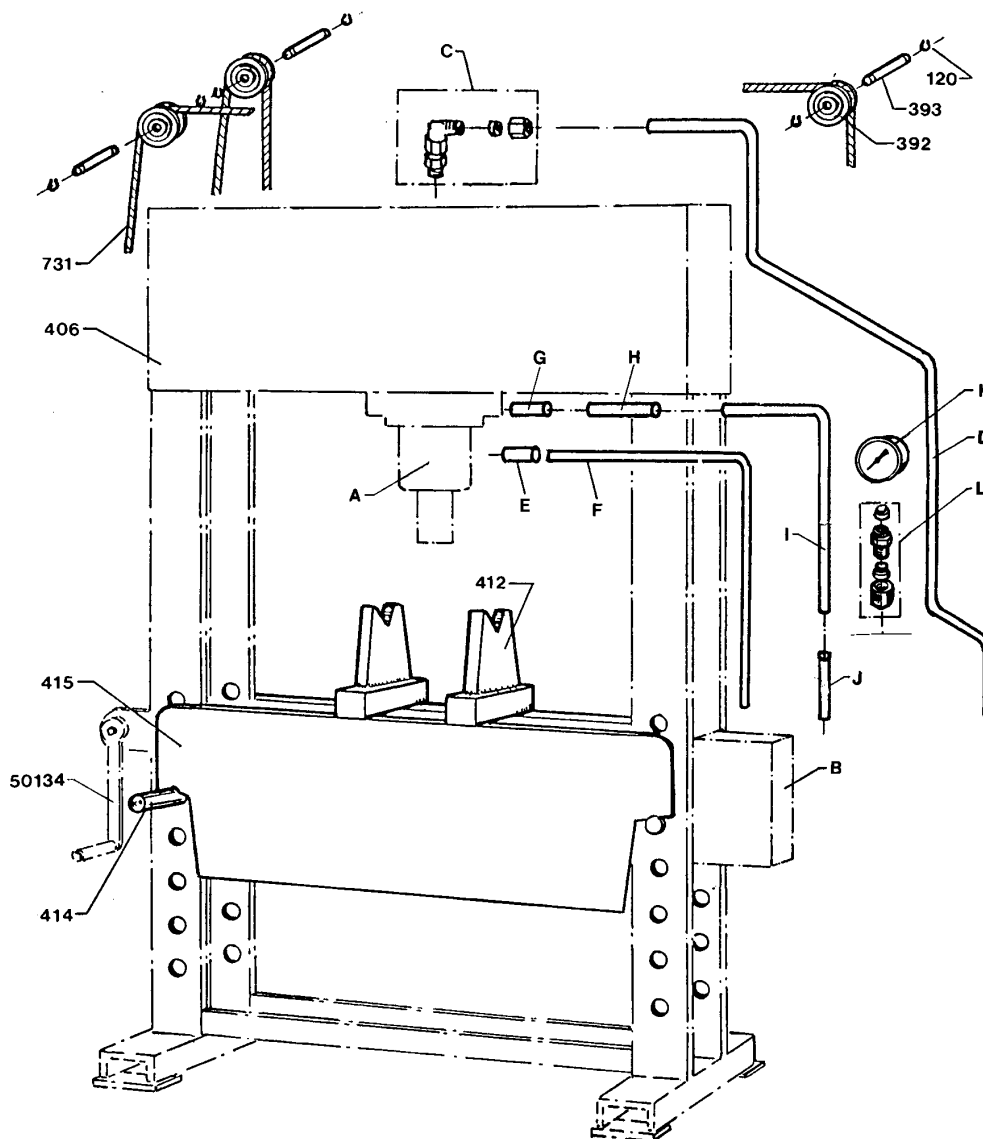


# HP 60, FP 60, EP 60-1, EP 60-2, EP 60-2D-3



|            | A         | B           | C    | D    | E    | F    | G   | H    | I    | J    | K    | L    |
|------------|-----------|-------------|------|------|------|------|-----|------|------|------|------|------|
| HP 60      | PC 60     | PP 25,40,60 | 723  | 563  | 1423 | 1871 | 667 | 1872 | 1873 | 1874 | 420  | 722  |
| FP 60      | PC 60     | PP 25,40,60 | 723  | 563  | 1423 | 1871 | 667 | 1872 | 1873 | 1874 | 420  | 722  |
| EP 60-1    | PC 60     | EPP 6,0L-1  | 2193 | 2210 | 1423 | 1871 | 667 | 1872 | 1873 | 1874 | 1393 | 2195 |
| EP 60-2    | PC 60     | EPP 12/6L-2 | 2193 | 2211 | 1423 | 1871 | 667 | 1872 | 1873 | 1874 | 1393 | 2195 |
| EP 60-2D-3 | PC 60-D-3 | EPP 12/6L-2 | 2194 | 2212 | 1988 | 1992 |     |      |      |      | 1393 | 2195 |

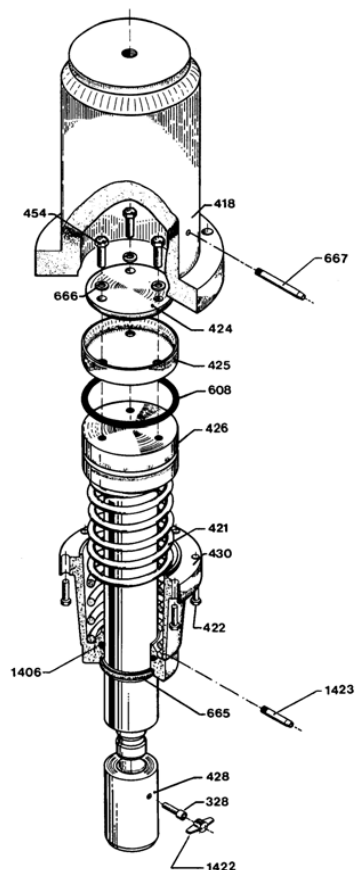
2.2.1070EP-1/1

1996.04.09

**HP 60, FP 60, EP 60-1, EP 60-2, EP 60-2D-3**

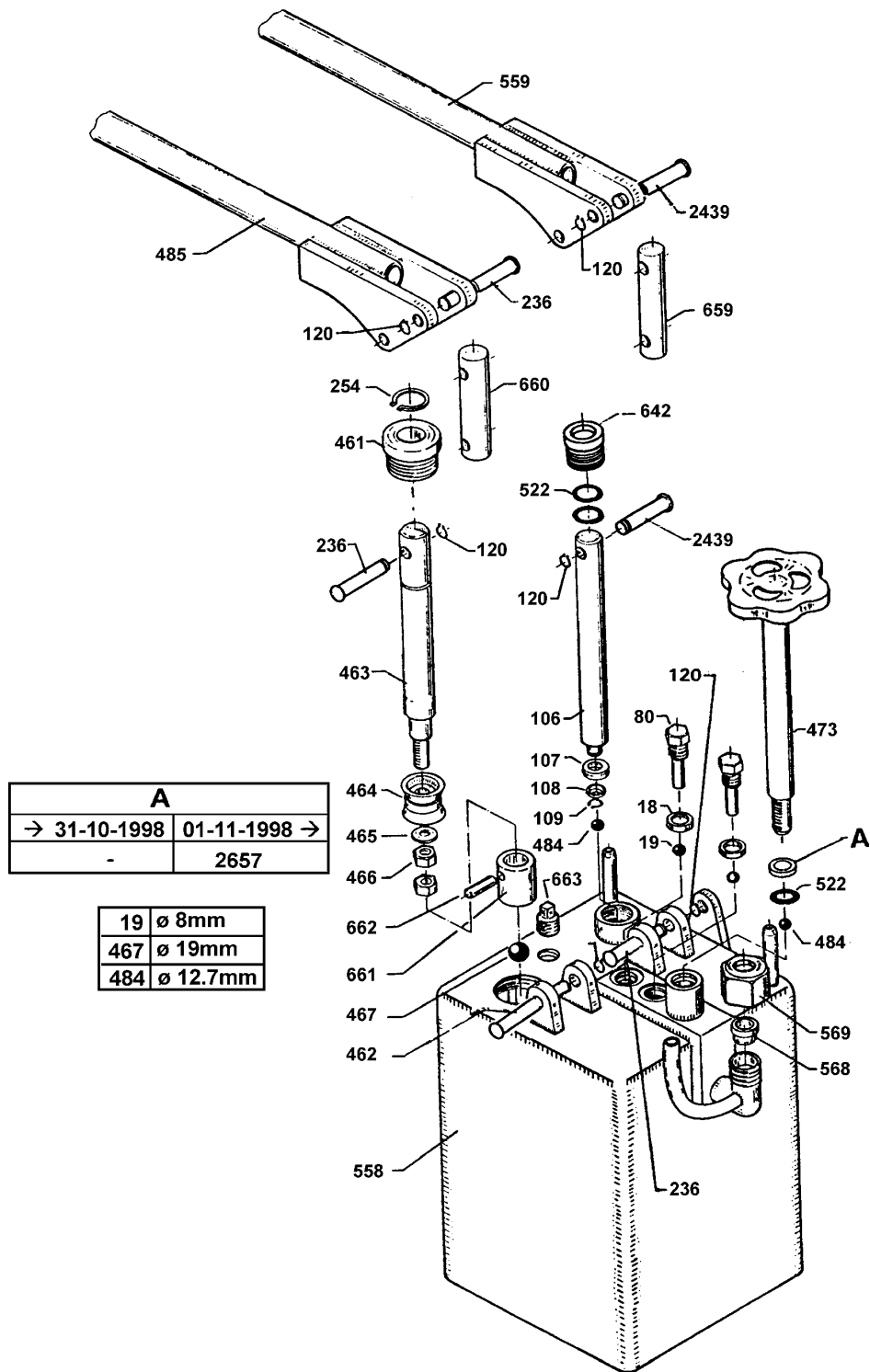
| No.   | DANSK.               | DEUTSCH.              | ENGLISH.             | FRANCAIS.                 |
|-------|----------------------|-----------------------|----------------------|---------------------------|
| 120   | Låsering             | Seegering             | Lock ring            | Circlips                  |
| 392   | Rulle                | Rolle                 | Roller               | Poulie                    |
| 393   | Nagle                | Nagel                 | Shaft                | Rivet                     |
| 406   | Chassis              | Chassis               | Chassis              | Châssis                   |
| 412   | Retteklods           | Richtbock             | Straightening block  | Blocs de redressage       |
| 414   | Nagle                | Nagel                 | Shaft                | Rivet                     |
| 415   | Bord P60             | Tisch P60             | Bench P60            | Table P60                 |
| 731   | Wire P60             | Draht P60             | Wire P60             | Câble-métallique P60      |
| 50134 | Spil, komplet P60    | Winde, komplett       | Winch, complete      | Cabestan, complet         |
| A     | Cylinder             | Zylinder              | Cylinder             | Cylindre                  |
| B     | Pumpe                | Pumpe                 | Pump                 | Pompe                     |
| C     | Fitting, komplet     | Fitting, komplett     | Fitting, complete    | Raccord, complet          |
| D     | Trykrør              | Druckrohr             | Pressure pipe        | Tuyau de refoulement      |
| E     | Fitting, komplet     | Fitting, komplett     | Fitting, complete    | Raccord, complet          |
| F     | Trykrør              | Druckrohr             | Pressure pipe        | Tuyau de refoulement      |
| G     | Studs                | Stutzen               | Pipe branch          | Tubulure                  |
| H     | Slange               | Schlauch              | Hose                 | Tube                      |
| I     | Rør                  | Rohr                  | Pipe                 | Tuyau de retour           |
| J     | Slange               | Schlauch              | Hose                 | Tube                      |
| K     | Manometer P60        | Manometer P60         | Manometer P60        | Manomètre P60             |
| L     | Fitting f. manometer | Fitting für Manometer | Fitting f. manometer | Raccordement p. manomètre |

# PC60



| No    | Dansk                  | Deutsch                    | English                     | Français                     |
|-------|------------------------|----------------------------|-----------------------------|------------------------------|
| 328   | Skrue                  | Schraube                   | Screw                       | Vis                          |
| 418   | Cylinder P60           | Zylinder P60               | Cylinder P60                | Cylindre P60                 |
| 421   | Fjeder                 | Feder                      | Spring                      | Ressort                      |
| 422   | Sætskrue               | Schraube                   | Screw                       | Vis                          |
| 424   | Udfyldningskive        | Scheibe                    | Spacer                      | Pièce intermédiaire          |
| *425  | Manchet                | Manchette                  | Sleeve                      | Bague                        |
| 426   | Stempel P60            | Kolben P60                 | Piston P60                  | Piston P60                   |
| 428   | Stempelhoved P60       | Kolbenkopf P60             | Piston head P60             | Tête de piston P60           |
| 430   | Pakdåse P60            | Stopfbuchse P60            | Stuffing box P60            | Ecrou piston P60             |
| 454   | Sætskrue               | Schraube                   | Screw                       | Vis                          |
| *608  | O-ring                 | O-ring                     | O ring                      | Joint torique                |
| *665  | Skrabering             | Abstreifring               | Scraper ring                | Segment racleur              |
| 666   | Fjederskive            | Federscheibe               | Spring washer               | Rondelle ressort             |
| 667   | Overløbstud            | Stutzen f. Schlauch        | Pipe branch                 | Tuyau trop-plein (p. tube)   |
| *1406 | O-ring                 | O-ring                     | O ring                      | Joint torique                |
| 1422  | Vingeskaft             | Handgriff                  | Wing handle                 | Manche á oreilles            |
| 1423  | Slangestuds            | Stutzen f. Schlauch        | Pipe branch                 | Tuyau p. tube                |
| 60066 | Pakningsæt             | Dichtungssatz              | Repair kit                  | Jeu de joints                |
| *     | Indeholdt i pakningsæt | Im Dichtungssatz enthalten | Contained in the repair-kit | Contenu dans le jeu de joint |

# PP25, PP40, PP60



| No.    | DANSK.                 | DEUTSCH.                   | ENGLISH.                    | FRANÇAIS.                    |
|--------|------------------------|----------------------------|-----------------------------|------------------------------|
| * 18   | Kobberpakning          | Kupferdichtung             | Copper washer               | Joint cuivre                 |
| * 19   | Ventilkugle            | Ventilkugel                | Valve ball                  | Bille de clapet              |
| 80     | Ventilprop             | Ventilschraube             | Valve plug                  | Vis de clapet                |
| 106    | Pumpestempe            | Pumpenkolben               | Pump Piston                 | Piston de pompe              |
| * 107  | Manchet                | Manschette                 | Spacer                      | Bague                        |
| * 108  | Messingring            | Messingring                | Brass ring                  | Anneau en laiton             |
| * 109  | Låsering               | Seegerring                 | Lock ring                   | Circlips                     |
| 120    | Låsering               | Sicherungsring             | Lock ring                   | Circlips                     |
| 236    | Nagle                  | Bolzen                     | Shaft                       | Rivet                        |
| * 254  | Låsering U25           | Seegerring U25             | Lock ring U25               | Circlips U25                 |
| 461    | Bøsning                | Buchse                     | Bushing                     | Manchon                      |
| 462    | Nagle                  | Nagel                      | Rivet                       | Rivet                        |
| 463    | Pumpestempe            | Pumpenkolben               | Pump piston                 | Piston de pompe              |
| * 464  | Manchet                | Manschette                 | Sleeve                      | Bague                        |
| * 465  | Skive                  | Scheibe                    | Washer                      | Rondelle                     |
| 466    | Møtrik                 | Mutter                     | Nut                         | Ecrou                        |
| * 467  | Kugle                  | Kugel                      | Ball                        | Bille                        |
| 473    | Udløerspindel          | Ablæsspindel               | Release spindle             | Manette de relache           |
| * 484  | Kugle                  | Kugel                      | Ball                        | Bille                        |
| 485    | Pumpestang             | Pumpenstange               | Pump rod                    | Manivelle de pompe           |
| * 522  | O-ring                 | O-ring                     | O-ring                      | Joint torique                |
| 558    | Pumpehus               | Pumpengehäuse              | Pump housing                | Corps de pompe               |
| 559    | Pumpestang             | Pumpenstange               | Pump rod                    | Manivelle de pompe           |
| 568    | Skæring                | Schneidring                | Cutting ring                | Anneau coupeur               |
| 569    | Møtrik                 | Mutter                     | Nut                         | Ecrou                        |
| 642    | Pakdåse                | Stopfbuchse                | Stuffing box                | Ecrou piston                 |
| 659    | Mellemlid, pumpe       | Zwischenglied, Pumpe       | Connecting link, pump       | Corps de transmission        |
| 660    | Mellemlid, pumpe       | Zwischenglied, Pumpe       | Connecting link, pump       | Corps de transmission        |
| 661    | Bøsning                | Buchse                     | Bushing                     | Manchon                      |
| 662    | Nagle                  | Nagel                      | Rivet                       | Rivet                        |
| 663    | Olieprop               | Ölschraube                 | Oil plug                    | Bouchon d'huile              |
| 2439   | Nagle                  | Bolzen                     | Shaft                       | Rivet                        |
| * 2657 | Olietætningsring       | Öldichtungsring            | Ring (oil)                  | Anneaux de joint             |
| 60073  | Pakningsæt             | Dichtungssatz              | Repair kit                  | Jeu de joints                |
| *      | Indeholdt i pakningsæt | Im Dichtungssatz enthalten | Contained in the repair-kit | Contenu dans le jeu de joint |

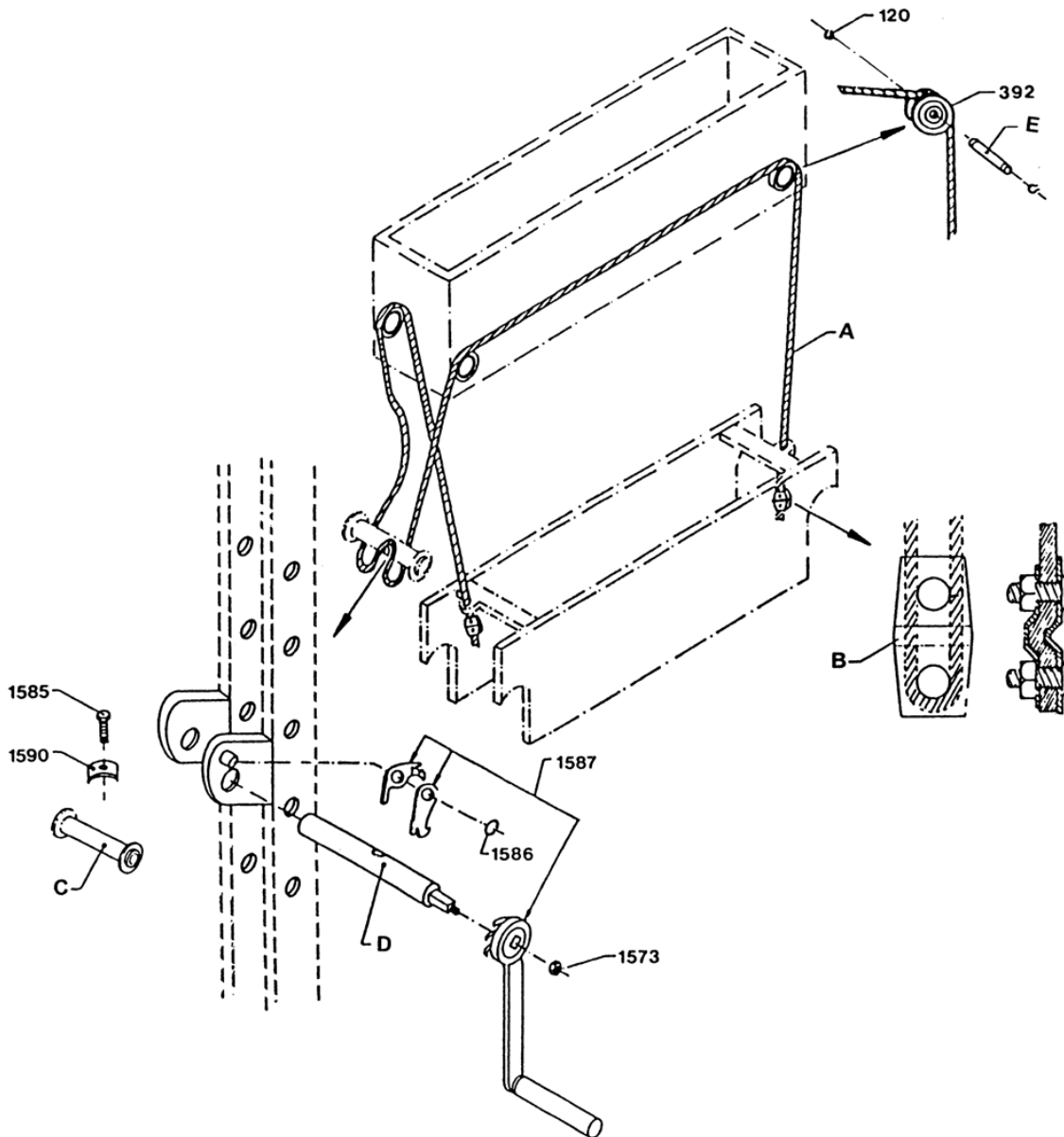
**50131**  
(HP15-S)

**50132**  
(HP25,EP25)

**50133**  
(HP40,EP40)

**50134**  
(HP60,EP60)

**52010**  
(HP20AR)  
(HP20-AA/AR)



|              | A    | B    | C    | D    | E   |
|--------------|------|------|------|------|-----|
| HP15-S       | 729  | 1588 | 2895 | 2896 | 393 |
| HP 20        | 2894 | 1588 | 2895 | 2896 | 393 |
| HP 25, EP 25 | 729  | 1588 | 1643 | 1644 |     |
| HP 40, EP 40 | 729  | 1588 | 1591 | 1589 | 393 |
| HP 60, EP 60 | 731  | 1645 | 1646 | 2190 | 393 |

2.2..52010-1/1

2000.11.06

**50131, 50132, 50133, 50134, 52010**

| No.  | DANSK.                              | DEUTSCH.                   | ENGLISH.                          | FRANÇAIS.                           |
|------|-------------------------------------|----------------------------|-----------------------------------|-------------------------------------|
| 120  | Låsering                            | Seegering                  | Lock ring                         | Circlips                            |
| 392  | Rulle                               | Rolle                      | Roller                            | Poulie                              |
| 1573 | Møtrik 1/2" UNF                     | Mutter 1/2" UNF            | Nut 1/2" UNF                      | Ecrou 1/2" UNF                      |
| 1585 | Sætskrue M8 x 30                    | Schraube M8 x 30           | Screw M8 x 30                     | Vis M8 x 30                         |
| 1586 | Låsering                            | Seegering                  | Lock ring                         | Circlips                            |
| 1587 | Håndtag m. bremse-<br>sikkerhedspal | Handgriff mit<br>Fanghaken | Handle with<br>brake safety catch | Manivelle avec freinage de sécurité |
| 1590 | Lås for wire                        | Drahtseilklemme            | Lock for wire                     | Fixation p. câble                   |
| A    | Wire                                | Draht                      | Wire                              | Câble                               |
| B    | Wirelås 4 mm                        | Drahtseilklemme 4 mm       | Wirelock 4 mm                     | Fixation p. câble 4mm               |
| C    | Born                                | Rolle                      | Pulley                            | Rouleau                             |
| D    | Aksel                               | Achse                      | Shaft                             | Arbre                               |
| E    | Nagle                               | Nagel                      | Shaft                             | Rivet                               |