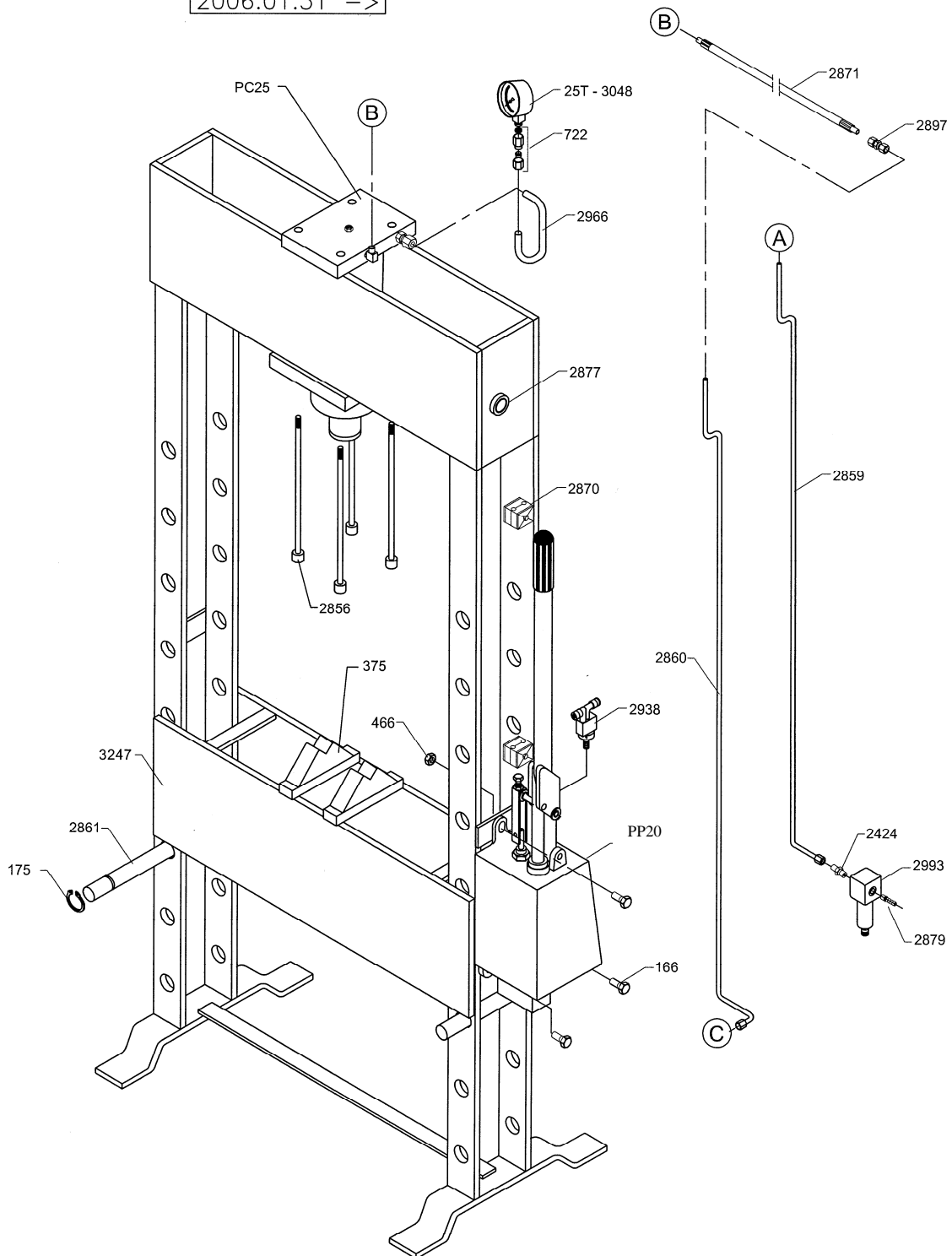


HP25 G2

2006.01.31 ->



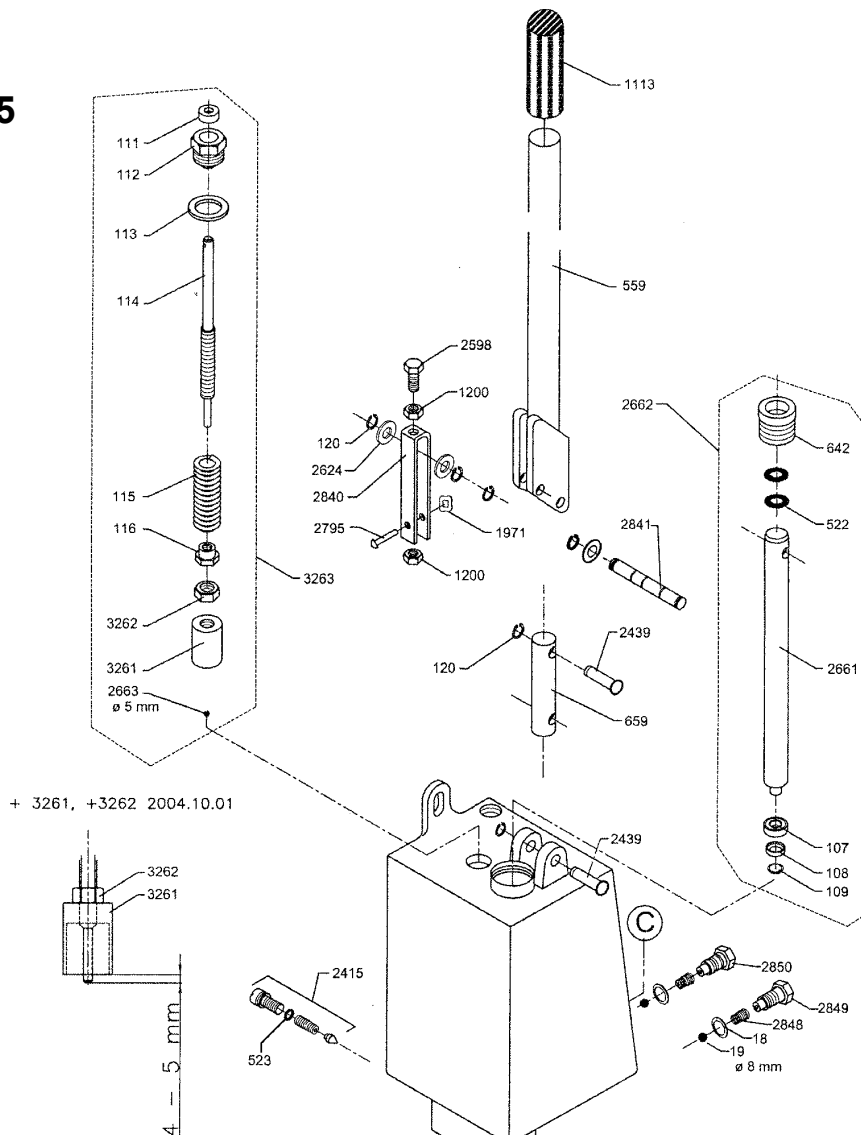
2.2.1051 1/1

2006.01.31
2006.04.20

HP25 G2

No.	Dansk	Deutsch	English	Français
166	Skrue	Schraube	Screw	Vis
175	Låsering	Seegerring	Lock ring	Circlips
375	Retteklods	Richtblock	Straightening block	Block de redressage
466	Møtrik	Mutter	Nut	Ecrou
722	Fitting	Fitting	Fitting	Raccord
2424	Fitting	Fitting	Fitting	Raccord
2856	Skrue	Schraube	Screw	Vis
2859	Returrør	Rohr	Pipe	Tuyau de retour
2860	Trykrør	Druckrohr	Pressure pipe	Tuyau de refoulement
2861	Nagle	Nagel	Rivet	Rivet
2870	Beslag f. rør	Beschlag f. Rohr	Mounting f. pipe	Soupape de tube
2871	Hydraulik slange	Hydraulikschlauch	Hydraulic hose	Tube hydraulique
2877	Ventil, komplet	Ventil, komplett	Valve, complete	Soupape, complet
2879	Slangenippel	Stutzen f. Schlauch	Pipe branch	Tubulure pour tube
2897	Fitting	Fitting	Fitting	Raccord
2938	Luftventil	Luftventil	Air valve	Soupape d'air
2966	Manometerrør	Rohr f. Manometer	Pipe f. manometer	Tuyau p. manomètre
2993	Vandudskiller	Wasserabscheider	Water seperator	Séparateur d'eau
3048	Manometer 25T	Manometer 25T	Manometer 25T	Manomètre 25T
3247	Bord	Tisch	Bench	Table
PP20	Pumpe, komplet	Pumpe, komplett	Pump, complete	Pompe, complet
PC25	Cylinder, komplet	Zylinder, komplett	Cylinder, complete	Cylindre, complet
060079	Pakningsæt, komplet	Dichtungssatz, komplett	Repair kit, complete	Jeu de réparation, complet

PP20, PP25



No.	Dansk	Deutsch	English	Français
*18	Kobberpakning	Kupferdichtung	Copper washer	Disque en cuivre
*19	Ventilkugle, 8 mm	Ventilkugel	Valve ball	Boule de clapet
*107	Manchet	Manschette	Sleeve	Bague
*108	Messingring	Messingring	Brass ring	Rondelle en laiton
*109	Låserring	Sicherungsring	Lock ring	Circlips
*111	Simmerring	Simmerring	Simmer ring	Rondelle simmer
112	Pakdåse	Stopfbüchse	Stuffing box	Ecrou piston
*113	Pakning	Dichtung	Gasket	Joint d'étanchéité
114	Returspindel	Ablåsspindel	Return spindle	Pivot de retour
115	Fjeder	Feder	Spring	Ressort
116	Møtrik	Mutter	Nut	Ecrou
120	Låserring	Sicherungsring	Lock ring	Circlips
*522	O-ring	O-Ring	O-ring	Joint torique
*523	O-ring	O-Ring	O-ring	Joint torique
559	Pumpestang	Pumpenstange	Pump rod	Levier de pompe
642	Pakdåse	Stopfbüchse	Stuffing box	Ecrou de piston
659	Mellemed	Zwischenglied	Connecting link	Bielle en fourche
1113	Håndtag	Handgriff	Handle	Manche
1200	Møtrik	Mutter	Nut	Ecrou
1971	Klemskive	Scheibe	Disc	Disque
2415	Overtryksventil	Überdruckventil	Excess-pressure valve	Souape de surpression
2439	Nagle	Nagel	Rivet	Rivet
2598	Bolt	Bolzen	Bolt	Boulon
2624	Skive	Scheibe	Washer	Goupille
2661	Pumpestempel	Pumpenkolben	Pump piston	Piston de pompe
2662	Pumpestempel, kompl.	Pumpenkolben, kompl.	Pump piston, compl.	Piston de pompe, compl.
*2663	Kugle, 5 mm	Kugel	Ball	Boule
2795	Nitte	Niet	Rivet	Rivet
2841	Nagle	Nagel	Rivet	Rivet
2848	Fjeder	Feder	Spring	Ressort
2849	Ventilprop	Ventilschraube	Valve plug	Clapet de fermeture
2850	Ventilprop	Ventilschraube	Valve plug	Clapet de fermeture
2997	Udløserbøjle	Beschlag	Mountings	Bras de déclenchement
3261	Hus	Gehäuse	Housing	Cops
3262	Møtrik	Mutter	Nut	Ecrou
3263	Returventil, kompl.	Ablåssventil, kompl.	Return valve, compl.	Clapet de retour, compl.

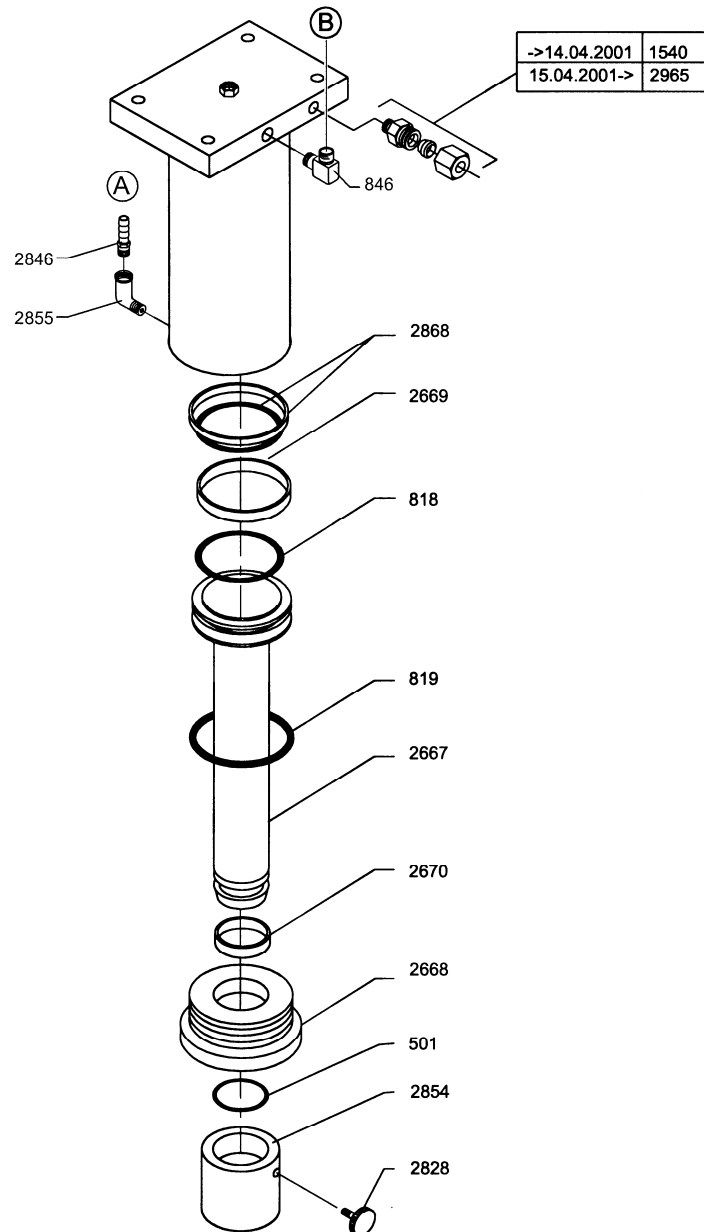
* Indeholdt i pakningssæt 60081

Im Dichtungssatz 60081 enthalten

Contained in the repair-kit 60081

Contenu dans le jeu de joint 60081

PC25



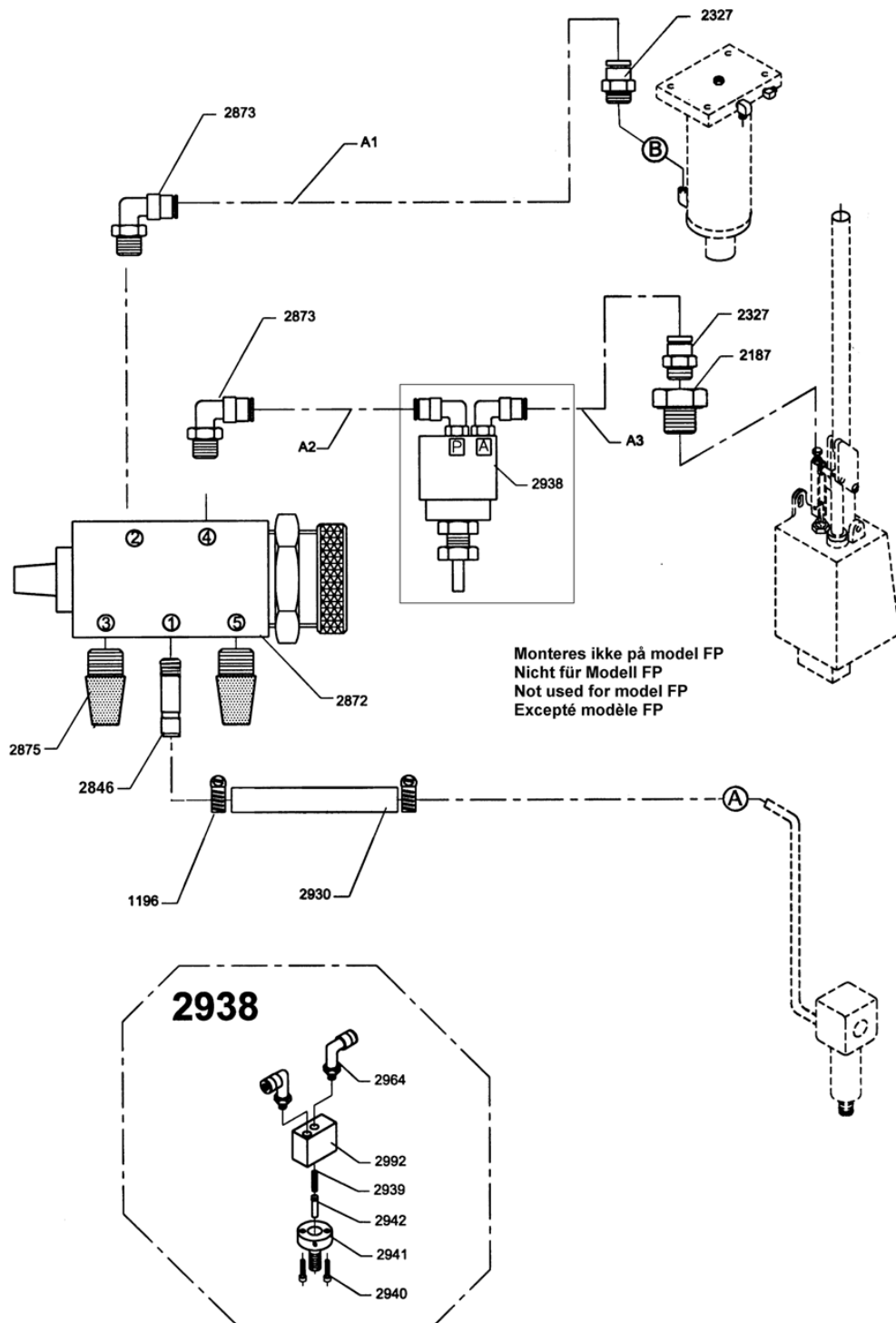
No.	Dansk	Deutsch	English	Français
*501	O-ring	O-ring	O-ring	Joint torique
*818	O-ring	O-ring	O-ring	Joint torique
*819	O-ring	O-ring	O-ring	Joint torique
846	Fitting	Fitting	Fitting	Raccord
1540	Fitting	Fitting	Fitting	Raccord
2667	Stempel	Kolben	Piston	Piston
2668	Pakdåse	Stopfbüchse	Stuffing box	Ecrou piston
*2669	Føringsbånd	Buchse	Bushing	Douille
*2670	Føringsbånd	Buchse	Bushing	Douille
2855	Fitting	Fitting	Fitting	Raccord
2828	Skruer	Schraube	Screw	Vis
2846	Fitting	Fitting	Fitting	Raccord
2854	Trykhoved	Kolbenkopf	Pistonhead	Tête de piston
*2868	Glydring m. O-ring	Führungsring m. O-ring	Guidering w. O-ring	Joint annulaire et torique
2965	Fitting	Fitting	Fitting	Raccord
60079	Pakningssæt	Dichtungssatz	Repair-kit	Jeu de réparation
*	Indeholdt i 60079	Im 60079 enthalten	Contained in the 60079	Contenu dans le jeu de joint 60079

2.2. 8118

2006.01.31

2877

(HP20-AA/AR)



2.2. 2877 1/1 Udg. 4

2003.08.29

2877
(HP20-AA/AR)

No.	DANSK.	DEUTSCH.	ENGLISH.	FRANÇAIS.
1196	Spændbånd	Klammer	Clamp	Collier de serrage
2187	Fitting	Fitting	Fitting	Raccord
2327	Luftfitting	Fitting f. Luft	Air fitting	Raccord pneumatique
2846	Slangenippel	Stutzen f. Schlauch	Pipe branch	tubulure p. tube
2872	Ventil	Ventil	Valve	Soupape
2873	Fitting	Fitting	Fitting	Raccord
2875	Lyddæmper	Schalldämpfer	Sound absorber	Sourdine
2876	Slanger A1, A2, A3	Schläuche A1, A2, A3	Hoses A1, A2, A3	Tube A1, A2, A3
A1	ø6 x 520	ø6 x 520	ø6 x 520	ø6 x 520
A2	ø6 x 850	ø6 x 850	ø6 x 850	ø6 x 850
A3	ø6 x 250	ø6 x 250	ø6 x 250	ø6 x 250
2930	Slange - gummi 5/16"	Schlauch - Gummi 5/16"	Hose - rubber 5/16"	Tube - caoutchouc 5/16"
2938	Luftventil	Luftventil	Air valve	Soupape d'air

2938

2939	Fjeder	Feder	Spring	Ressort
2940	Skrue	Schraube	Screw	Vis
2941	Hus f. stift	Gehäuse f. Splint	Housing f. pin	Corps p. cheville
2942	Stift	Splint	Pin	Cheville
2964	Luftfitting	Fitting f. Luft	Air fitting	Raccord pneumatique
2992	Ventil	Ventil	Valve	Soupape