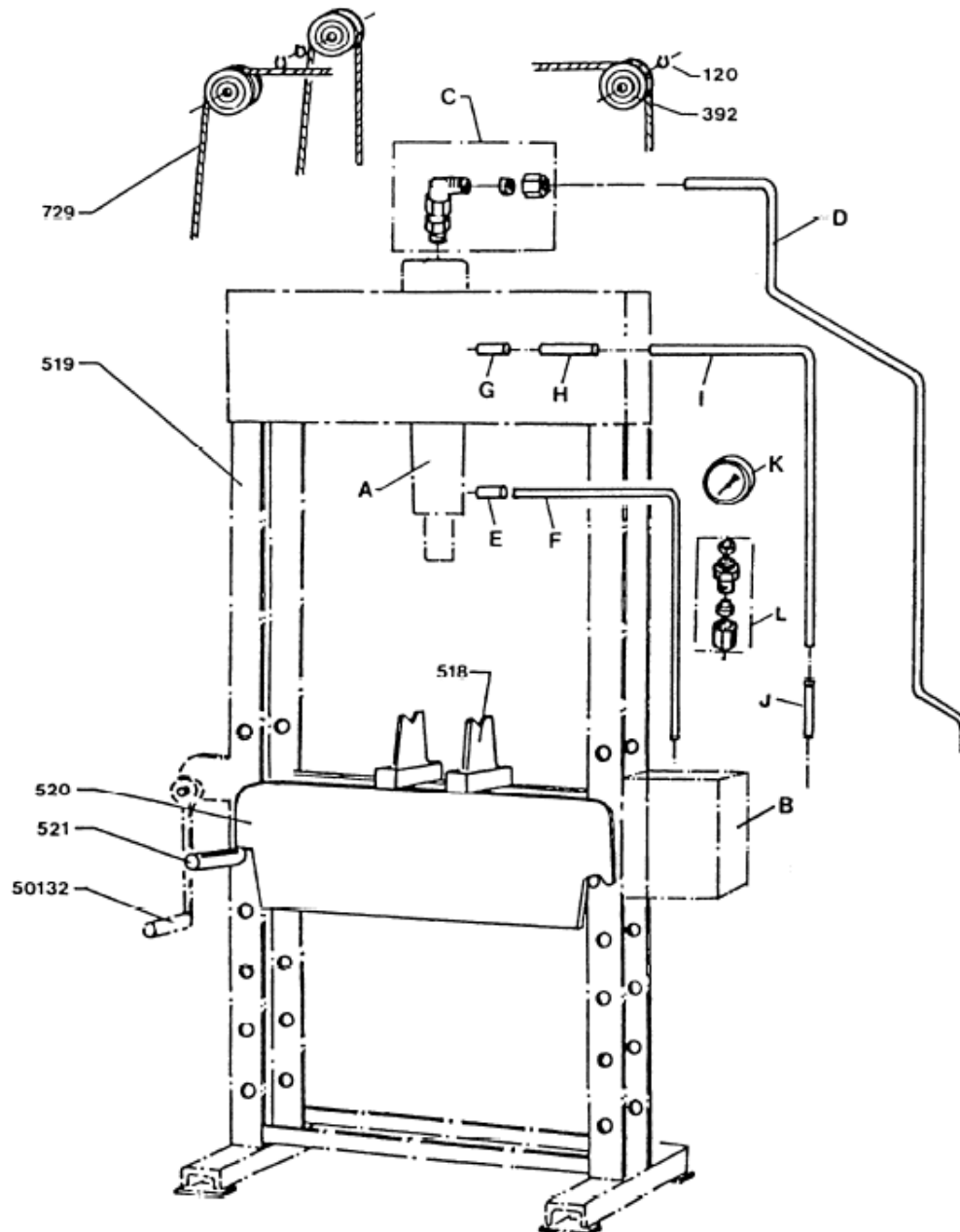


HP 25, HP 25-1, FP 25, EP 25-1, EP 25-1D-3



	A	B	C	D	E	F	G	H	I	J	K	L
HP25	PC25 ø100 (*1)	PP25,40,60	723	728	667	1871	667	1872	1873	1874	1156(*2)	722
HP25-1	PC25 ø100 (*1)	PP15	2194	1999	667	1871	667	1872	1873	1874	1156(*2)	722
FP25	PC25 ø100 (*1)	PP25,40,60	723	728	667	1871	667	1872	1873	1874	1156(*2)	722
EP25-1	PC25 ø100	EPP 4,5L-1	723	2213	667	1871	667	1872	1873	1874	1391	2195
EP25-1D-3	PC25-D-3 ø100	EPP 4,5L-1	2194	2214	1876	1875					1391	2195

*Før/Up to/Bis zum/Avant du: 01.06.1990
 (*1)PC25 ø90
 (*2)No. 515

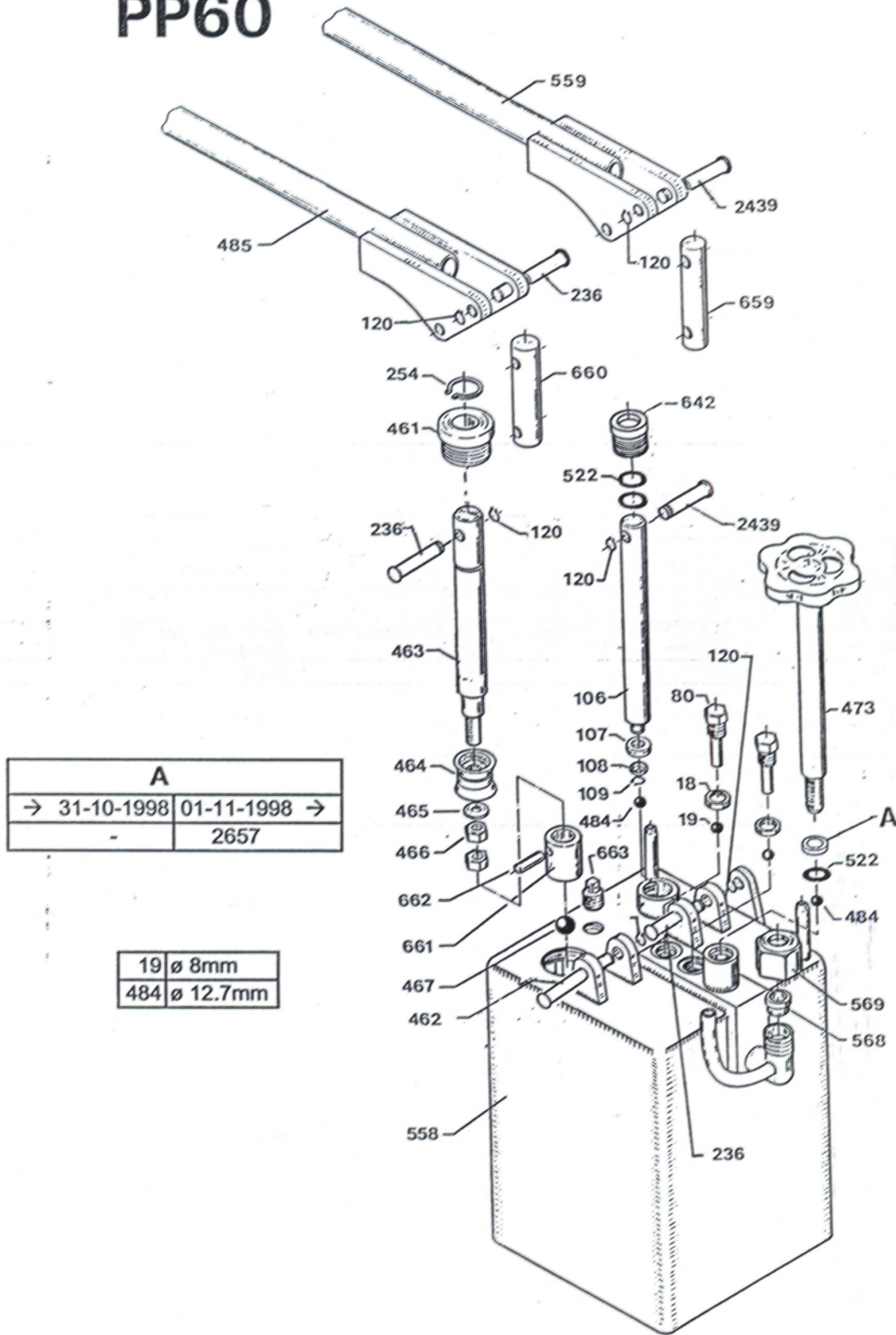
2.2.1040EP-1/1

2002.02.20

HP 25, FP 25, EP 25-1, EP 25-1D-3

No.	DANSK.	DEUTSCH.	ENGLISH.	FRANÇAIS.
120	Låsering	Seegering	Lock ring	Circlips
392	Rulle	Rolle	Roller	Poulie
518	Retteklods	Richtbock	Straightening block	Blocs de redressage
519	Chassis	Chassis	Chassis	Châssis
520	Bord P25	Tisch P25	Bench P25	Table P25
521	Nagle	Nagel	Shaft	Rivet
729	Wire P25	Draht P25	Wire P25	Câble-métallique P25
50132	Spil, komplet P25	Winde, komplett P25	Winch, complete P25	Cabestan, complet P25
A	Cylinder	Zylinder	Cylinder	Cylindre
B	Pumpe	Pumpe	Pump	Pompe
C	Fitting, komplet	Fitting, komplett	Fitting, complete	Raccord, complet
D	Trykrør	Druckrohr	Pressure pipe	Tuyau de refoulement
E	Studs	Stutzen	Pipe branch	Tubulure
F	Trykrør	Druckrohr	Pressure pipe	Tuyau de refoulement
G	Studs	Stutzen	Pipe branch	Tubulure
H	Slange	Schlauch	Hose	Tube
I	Rør	Rohr	Pipe	Tuyau de retour
J	Slange	Schlauch	Hose	Tube
K	Manometer	Manometer	Pressure gauge	Manomètre
L	Fitting f. manometer	Anschluß für Manometer	Connection f. pressure gauge	Raccordement p. manomètre

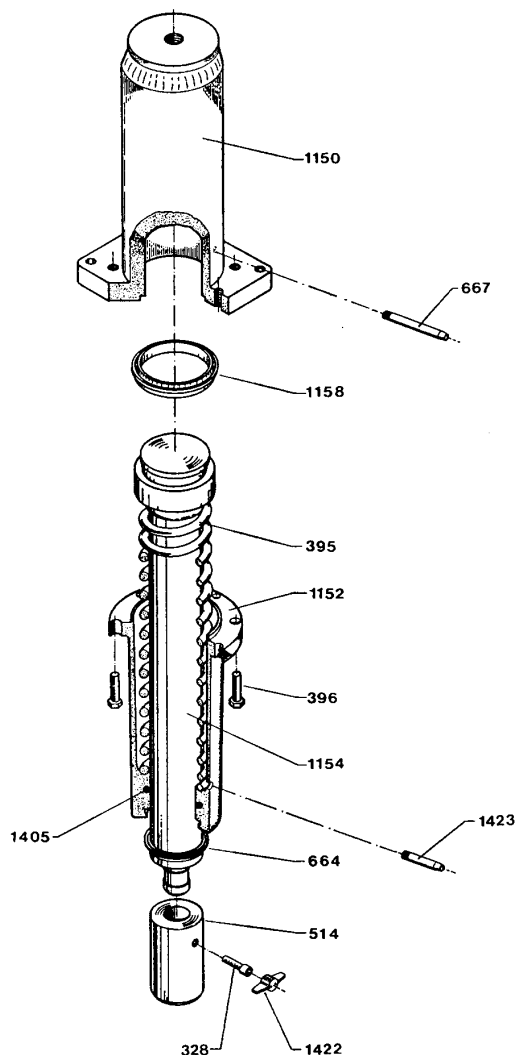
PP25 PP40 PP60



PP25, PP40, PP60

No.	DANSK.	DEUTSCH.	ENGLISH.	FRANCAIS.
*18	Kobberpakning	Kupferdichtung	Copper washer	Joint cuivre
*19	Ventilkugle	Ventilkugel	Valve ball	Bille de clapet
80	Ventilprop	Ventilschraube	Valve plug	Vis de clapet
106	Pumpestempe	Pumpenkolben	Pump Piston	Piston de pompe
*107	Manchet	Manschette	Spacer	Bague
*108	Messingring	Messingring	Brass ring	Anneau en laiton
*109	Låsering	Seegerring	Lock ring	Circlips
120	Låsering	Sicheringsring	Lock ring	Circlips
236	Nagle	Bolzen	Shaft	Rivet
*254	Låsering U25	Seegerring U25	Lock ring U25	Circlips U25
461	Bøsning	Buchse	Bushing	Manchon
462	Nagle	Nagel	Rivet	Rivet
463	Pumpestempe	Pumpenkolben	Pump piston	Piston de pompe
*464	Manchet	Manschette	Sleeve	Bague
*465	Skive	Scheibe	Washer	Rondelle
466	Møtrik	Mutter	Nut	Ecrou
*467	Kugle	Kugel	Ball	Bille
473	Udløsespindel	Ablæsspindel	Release spindle	Manette de relache
*484	Kugle	Kugel	Ball	Bille
485	Pumpestang	Pumpenstange	Pump rod	Manivelle de pompe
*522	O-ring	O-ring	O-ring	Joint torique
558	Pumpehus	Pumpengehåuse	Pump housing	Corps de pompe
559	Pumpestang	Pumpenstange	Pump rod	Manivelle de pompe
568	Skærring	Schneidring	Cutting ring	Anneau coupeur
569	Metrik	Mutter	Nut	Ecrou
642	Pakdåse	Stopfbuchse	Stuffing box	Ecrou piston
659	Mellemlid, pumpe	Zwischenglied, Pumpe	Connecting link, pump	Corps de transmission
660	Mellemlid, pumpe	Zwischenglied, Pumpe	Connecting link, pump	Corps de transmission
661	Bøsning	Buchse	Bushing	Manchon
662	Nagle	Nagel	Rivet	Rivet
663	Olieprop	Ölschraube	Oil plug	Bouchon d'huile
2439	Nagle	Bolzen	Shaft	Rivet
*2657	Olietætningsring	Öldichtungsring	Ring (oil)	Anneaux de joint
60073	Pakningsæt	Dichtungssatz	Repair kit	Jeu de joints
*	Indeholdt i pakningsæt	Im Dichtungssatz enthalten	Contained in the repair-kit	Contenu dans le jeu de joint

PC25 ø 100



PC 25 ø100

No.	DANSK.	DEUTSCH.	ENGLISH.	FRANCAIS.
328	Skrue	Schraube	Screw	Vis
395	Fjeder	Spring	Feder	Ressort
396	Sætskrue	Schraube	Screw	Vis
514	Stempelhoved	Kolbenkopf	Piston head	Tête de piston
*664	Skrabering	Abstreifring	Scraper ring	Segment racleur
667	Overløbstud	Stutzen f. Schlauch	Pipe branch	Tuyau trop plein
1150	Cylinder, svejst	Zylinder	Cylinder	Cylindre (soudé)
1152	Pakdåse	Stopfbuchse	Stuffing box	Ecrou piston
1154	Stempel	Kolben	Piston	Piston
*1158	Manchet	Manschette	Sleeve	Bague
*1405	O-ring	O-ring	O ring	Joint torique
1422	Vingskaft	Handgriff	Wing handle	Manche à oreilles
1423	Slangestuds	Stutzen f. Schlauch	Pipe branch	Conduite p. tube
60063	Pakningssæt	Dichtungssatz	Repair kit	Jeu de joints
*	Indeholdt i pakningssæt	Im Dichtungssatz enthalten	Contained in the repair-kit	Contenu dans le jeu de joint