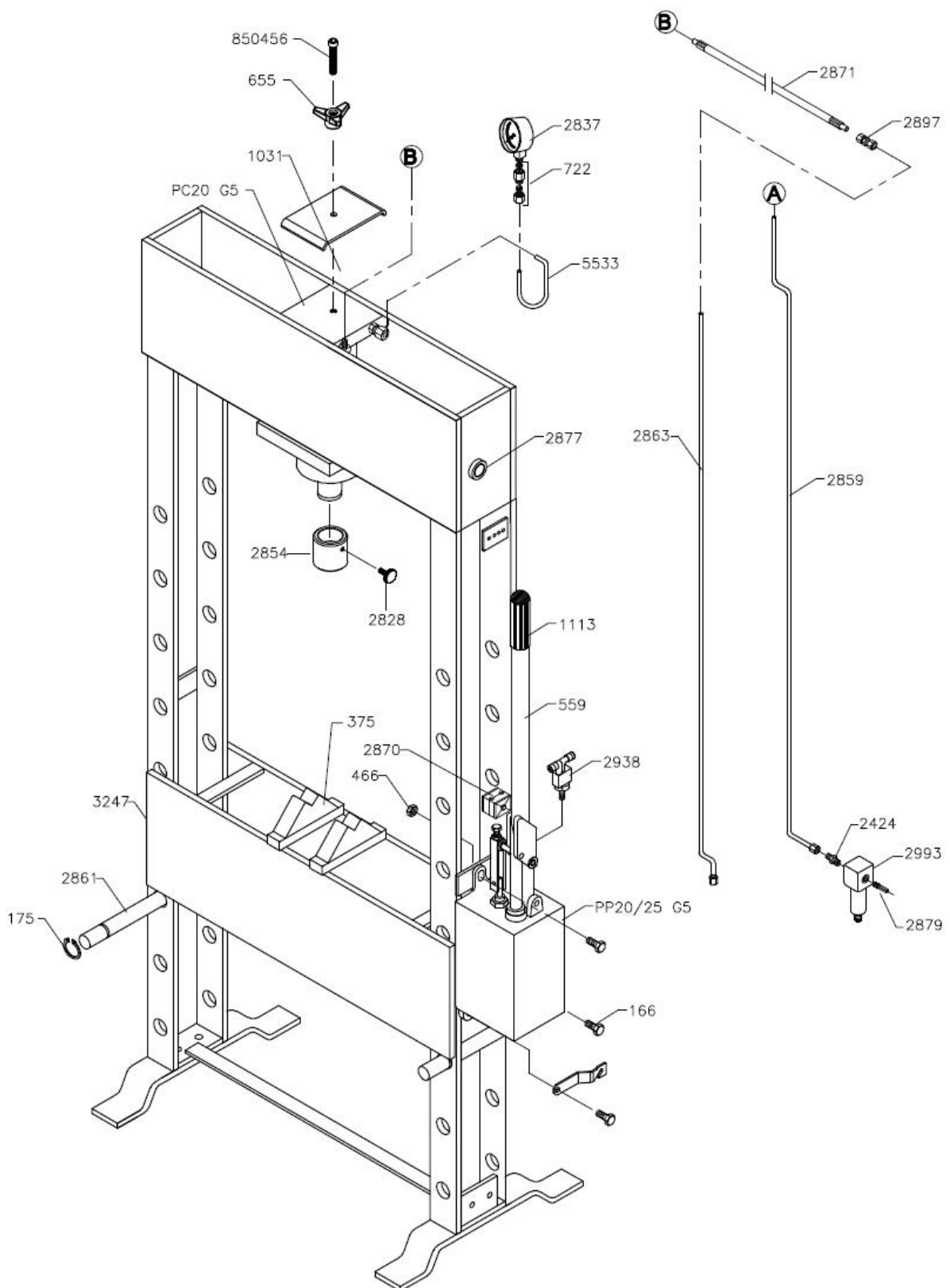


HP 20 G5

2009.07.16 →



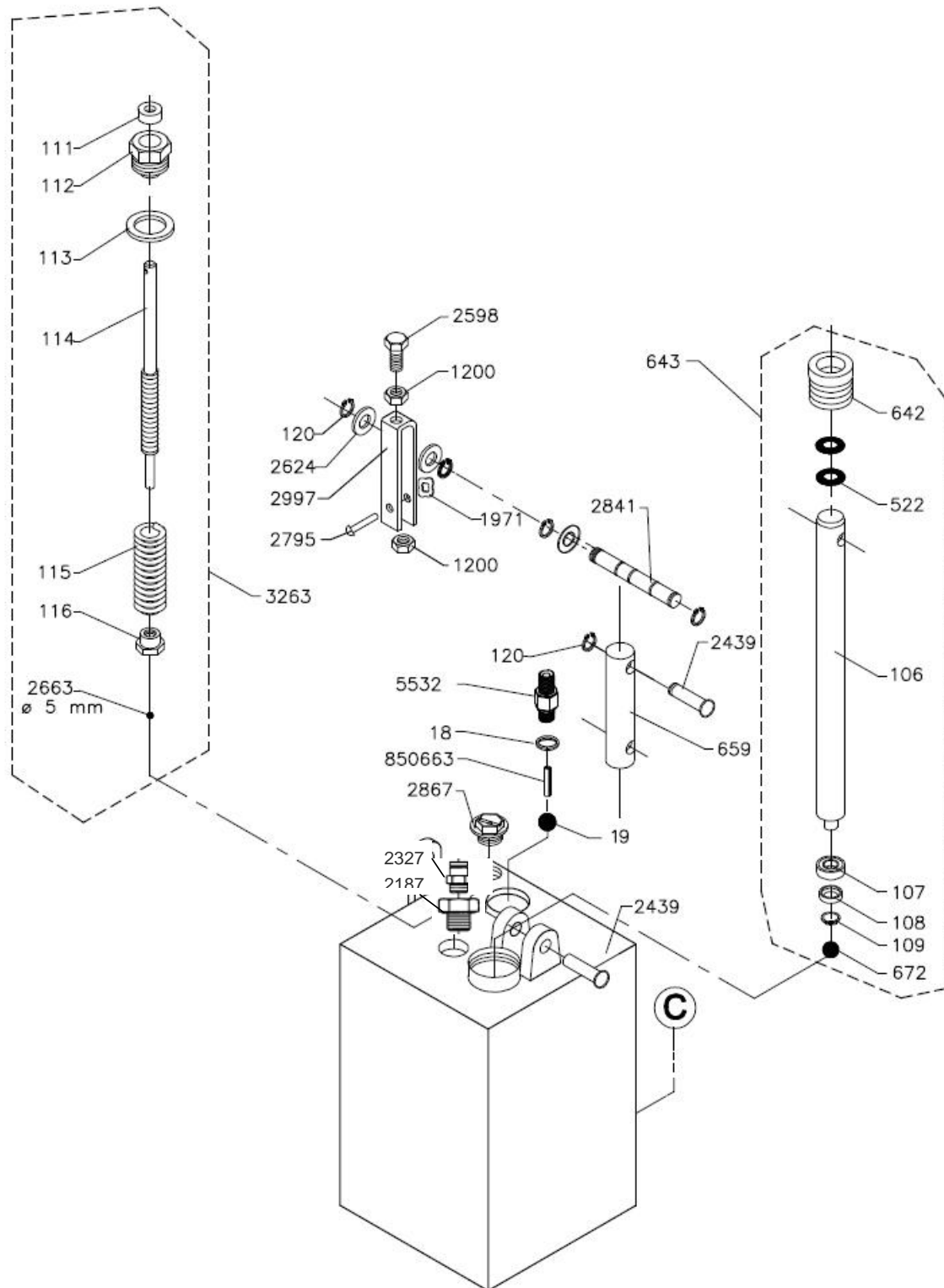
SN 08-07-2009

1

HP20 G5

| No. | Dansk | Deutsch | English | Français |
|------------|----------------------|-------------------------|----------------------|----------------------------|
| 120 | Låsering | Seegerring | Lock ring | Circlips |
| 166 | Skrue | Schraube | Screw | Vis |
| 175 | Låsering | Seegerring | Lock ring | Circlips |
| 375 | Retteklods | Richtblock | Straightening block | Block de redressage |
| 559 | Pumpestang | Pumpenstange | Pump rod | Levier de pompe |
| 655 | Håndtag | Handgriff | Handle | Poignée |
| 722 | Fitting | Fitting | Fitting | Raccord |
| 1031 | låseplade | Sicherungsblech | Lock plate | Plaque de verrouillage |
| 1113 | Håndtag | Handgriff | Handle | Poignée |
| 2424 | Fitting | Fitting | Fitting | Raccord |
| 2837 | Manometer 20T | Manometer 20T | Manometer 20T | Manomètre 20T |
| 2828 | Skrue | Schraube | Screw | Vis |
| 2854 | Trykhoved | Kolbenkopf | Pistonhead | Tête de piston |
| 2859 | Returrør | Rohr | Pipe | Tuyau de retour |
| 2863 | Trykrør | Druckrohr | Pressure pipe | Tuyau de refoulement |
| 2861 | Nagle | Nagel | Rivet | Rivet |
| 2870 | Beslag f. rør | Beschlag f. Rohr | Mounting f. pipe | Soupape de tube |
| 2871 | Hydraulik slange | Hydraulikschlauch | Hydraulic hose | Tube hydraulique |
| 2877 | Ventil, komplet | Ventil, komplett | Valve, complete | Soupape, complet |
| 2879 | Slangenippel | Stutzen f. Schlauch | Pipe branch | Tubulure pour tube |
| 2897 | Fitting | Fitting | Fitting | Raccord |
| 2938 | Luftventil | Luftventil | Air valve | Soupape d'air |
| 2993 | Vandudskiller | Wasserabscheider | Water seperator | Séparateur d'eau |
| 3247 | Bord | Tisch | Bench | Table |
| 3330-1 | Chassis (Grøn) | Chassis (Grün) | Chassis (Green) | Chassis (Vert) |
| 3330-12 | Chassis (Rød) | Chassis (Rot) | Chassis (Red) | Chassis (Rouge) |
| 5104 | Cylinderophæng | Zylinder aufhebung | Cylinder suspension | Suspension de cylinder |
| 5533 | Manometerrør | Rohr f. Manometer | Pipe f. manometer | Tuyau p. manomètre |
| 850456 | Skrue | Schraube | screw | Vis |
| PP20/25 G5 | Pumpe, komplet | Pumpe, komplett | Pump, complete | Pompe, complet |
| PC20 G5 | Cylinder, komplet | Zylinder, komplett | Cylinder, complete | Cylindre, complet |
| 060085 | Pakningssæt, komplet | Dichtungssatz, komplett | Repair kit, complete | Jeu de réparation, complet |

PP 20 G5 (928174)



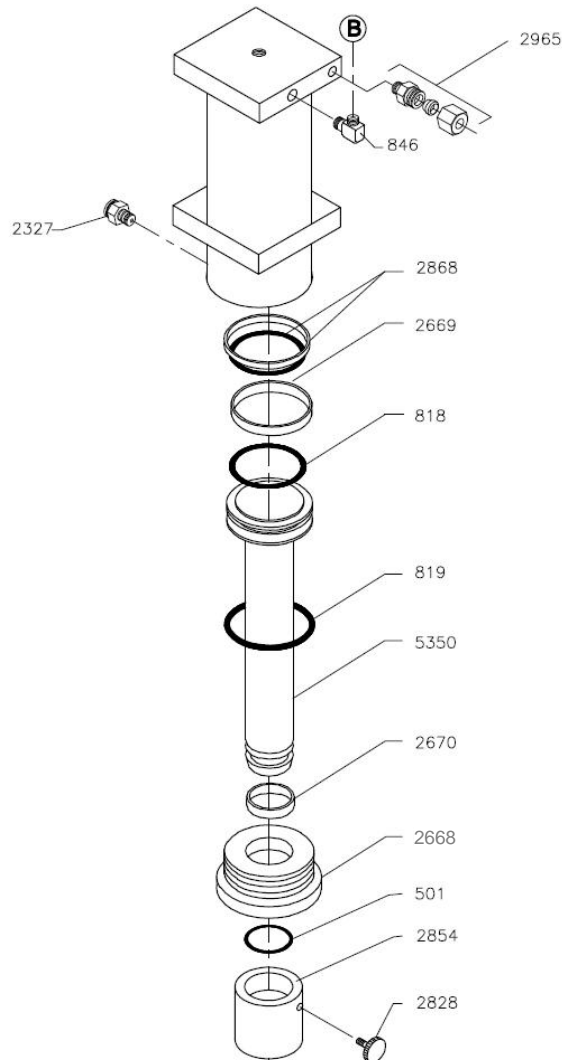
SN 08-07-2009

3

PP20/25 G5

| No. | Dansk | Deutsch | English | Français |
|--------|--------------------------------------|---|--|---|
| *18 | Kobberpakning | Kupferdichtung | Copper washer | Disque en cuivre |
| *19 | Ventilkugle, 8 mm | Ventilkugel | Valve ball | Boule de clapet |
| 106 | Pumpestempe | Pumpenkolben | Pump piston | Piston de pompe |
| *107 | Manchet | Manschette | Sleeve | Bague |
| *108 | Messingring | Messingring | Brass ring | Rondelle en laiton |
| *109 | Låsering | Sicherungsring | Lock ring | Circlips |
| *111 | Simmerring | Simmerring | Simmer ring | Rondelle simmer |
| 112 | Pakdåse | Stopfbüchse | Stuffing box | Ecrou piston |
| *113 | Pakning | Dichtung | Gasket | Joint d'étanchéité |
| 114 | Returspindel | Ablaufspindel | Return spindle | Pivot de retour |
| 115 | Fjeder | Feder | Spring | Ressort |
| 116 | Møtrik | Mutter | Nut | Ecrou |
| 118 | Returventil, kompl. | Ablassventil, kompl. | Return valve, compl. | Clapet de retour, compl. |
| 120 | Låsering | Sicherungsring | Lock ring | Circlips |
| *522 | O-ring | O-Ring | O-ring | Joint torique |
| 642 | Pakdåse | Stopfbüchse | Stuffing box | Ecrou de piston |
| 643 | Pumpestempe, kompl. | Pumpenkolben, kompl. | Pump piston, compl. | Piston de pompe, compl. |
| 659 | Mellemled | Zwischenglied | Connecting link | Bielle en fourche |
| *672 | Ventilkugle, 3/8" | Ventilkugel | Valve ball | Boule de clapet |
| 1200 | Møtrik | Mutter | Nut | Ecrou |
| 1971 | Klemskive | Scheibe | Disc | Disque |
| 2187 | Fitting | Fitting | Fitting | Raccord |
| 2327 | Lufffitting | Fitting f. Luft | Air fitting | Raccord pneumatique |
| 2439 | Nagle | Nagel | Rivet | Rivet |
| 2598 | Bolt | Bolzen | Bolt | Boulon |
| 2624 | Skive | Scheibe | Washer | Goupille |
| *2663 | Kugle, 5 mm | Kugel | Ball | Boule |
| 2795 | Nitte | Niet | Rivet | Rivet |
| 2841 | Nagle | Nagel | Rivet | Rivet |
| 2997 | Udløserbøjle | Beschlag | Mountings | Bras de déclenchement |
| 5532 | Nippel | Nippel | Nipple | Raccord |
| 850663 | Stift | Stift | Dowel | Grain |
| 60090 | Pakningssæt | Dichtungssatz | Repair kit | Jue de joint |
| * | Indeholdt i pakningssæt 60090 | Im Dichtungssatz 60090 enthalten | Contained in the repair-kit 60090 | Contenu dans le jeu de joint 60090 |

PC 20 G5 (928122)



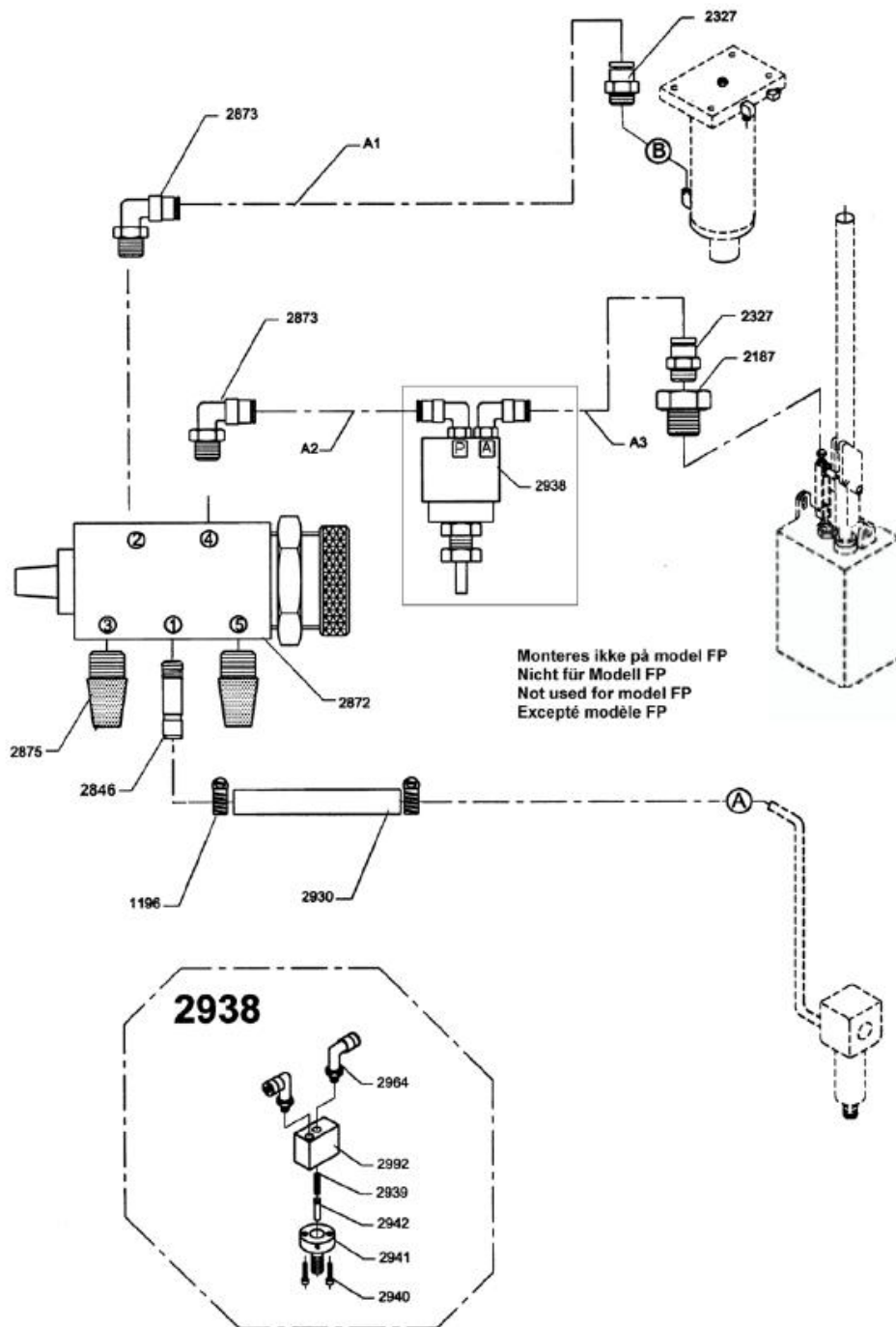
| No. | Dansk | Deutsch | English | Français |
|--------------|--------------------------|---------------------------|-------------------------------|---|
| *501 | O-ring | O-ring | O-ring | Joint torique |
| *818 | O-ring | O-ring | O-ring | Joint torique |
| *819 | O-ring | O-ring | O-ring | Joint torique |
| 846 | Fitting | Fitting | Fitting | Raccord |
| 2327 | Fitting | Fitting | Fitting | Raccord |
| 2668 | Pakdåse | Stopfbüchse | Stuffing box | Ecrou piston |
| *2669 | Føringsbånd | Buchse | Bushing | Douille |
| *2670 | Føringsbånd | Buchse | Bushing | Douille |
| 2828 | Skruer | Schraube | Screw | Vis |
| 2854 | Trykhoved | Kolbenkopf | Pistonhead | Tête de piston |
| *2868 | Glydring m. O-ring | Führungsring m. O-ring | Guidering w. O-ring | Joint annulaire et torique |
| 2965 | Fitting | Fitting | Fitting | Raccord |
| 5350 | Stempel | Kolben | Piston | Piston |
| 60091 | Pakningsæt | Dichtungssatz | Repair-kit | Jeu de réparation |
| * | Indeholdt i 60091 | Im 60091 enthalten | Contained in the 60091 | Contenu dans le jeu de joint 60091 |

SN 08-07-2009

5

2877

(HP20-AA/AR)



2877 (HP /FP 20-25)

| No. | Dansk | Deutsch | English | Français |
|------|----------------------|------------------------|---------------------|-------------------------|
| 1196 | Spændebånd | Klammer | Clamp | Collier de serrage |
| 2187 | Fitting | Fitting | Fitting | Raccord |
| 2327 | Luffitting | Fitting f. Luft | Air fitting | Raccord pneumatique |
| 2846 | Slangenippel | Stutzen f. Schlauch | Pipe branch | tubulure p. tube |
| 2872 | Ventil | Ventil | Valve | Soupape |
| 2873 | Fitting | Fitting | Fitting | Raccord |
| 2875 | Lyddæmper | Schalldämpfer | Sound absorber | Sourdine |
| 2876 | Slanger A1, A2, A3 | Schläuche A1, A2, A3 | Hoses A1, A2, A3 | Tube A1, A2, A3 |
| A1 | ø6 x 520 | ø6 x 520 | ø6 x 520 | ø6 x 520 |
| A2 | ø6 x 850 | ø6 x 850 | ø6 x 850 | ø6 x 850 |
| A3 | ø6 x 250 | ø6 x 250 | ø6 x 250 | ø6 x 250 |
| 2930 | Slange - gummi 5/16" | Schlauch - Gummi 5/16" | Hose - rubber 5/16" | Tube - caoutchouc 5/16" |
| 2938 | Luftventil | Luftventil | Air valve | Soupape d'air |

2938 (HP 20-25)

| No. | Dansk | Deutsch | English | Français |
|------|--------------|-------------------|----------------|---------------------|
| 2939 | Fjeder | Feder | Spring | Ressort |
| 2940 | Skruer | Schraube | Screw | Vis |
| 2941 | Hus f. stift | Gehäuse f. Splint | Housing f. pin | Corps p. cheville |
| 2942 | Stift | Splint | Pin | Cheville |
| 2964 | Luffitting | Fitting f. Luft | Air fitting | Raccord pneumatique |
| 2992 | Ventil | Ventil | Valve | Soupape |