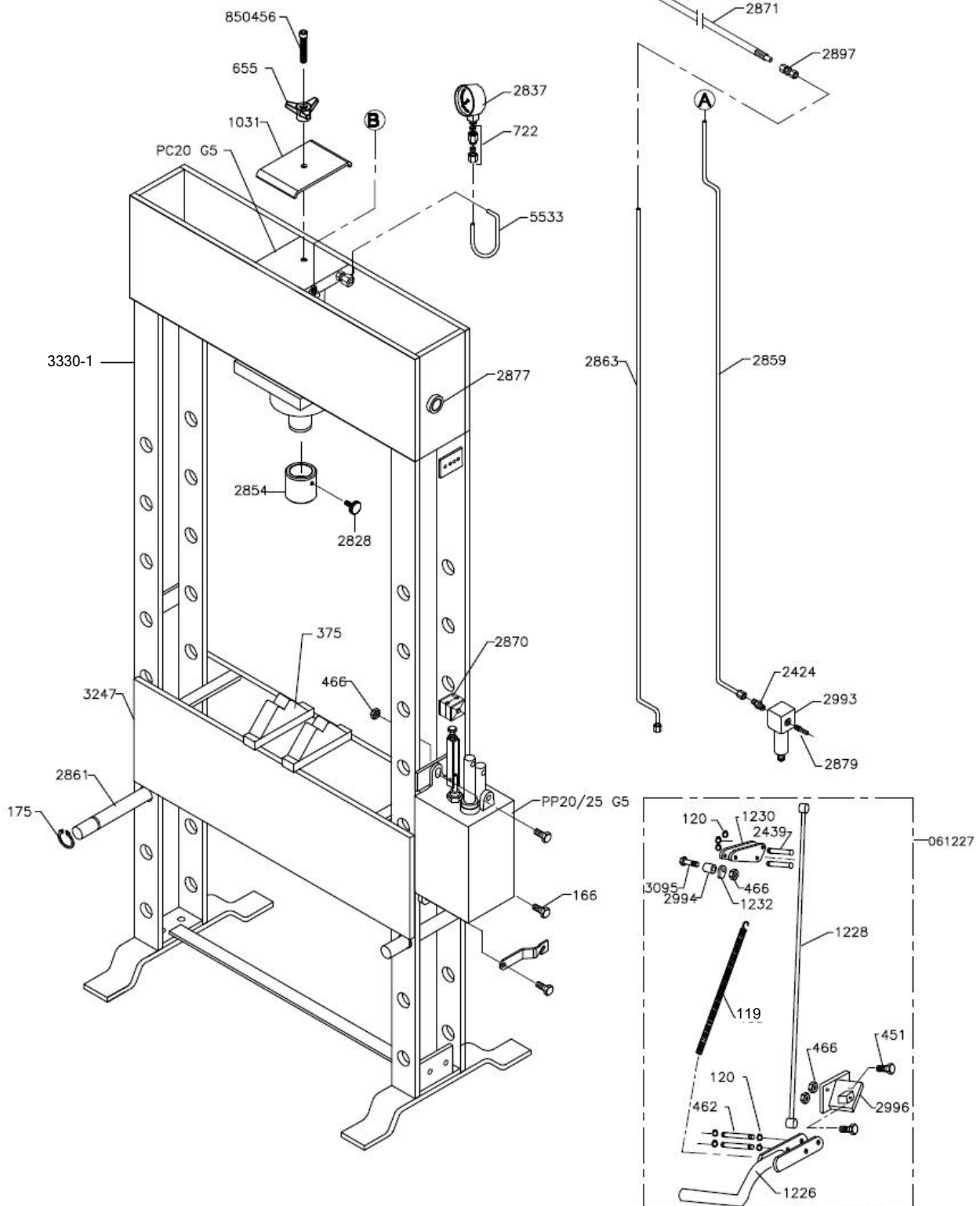


FP 20 G5
2009.07.16 →



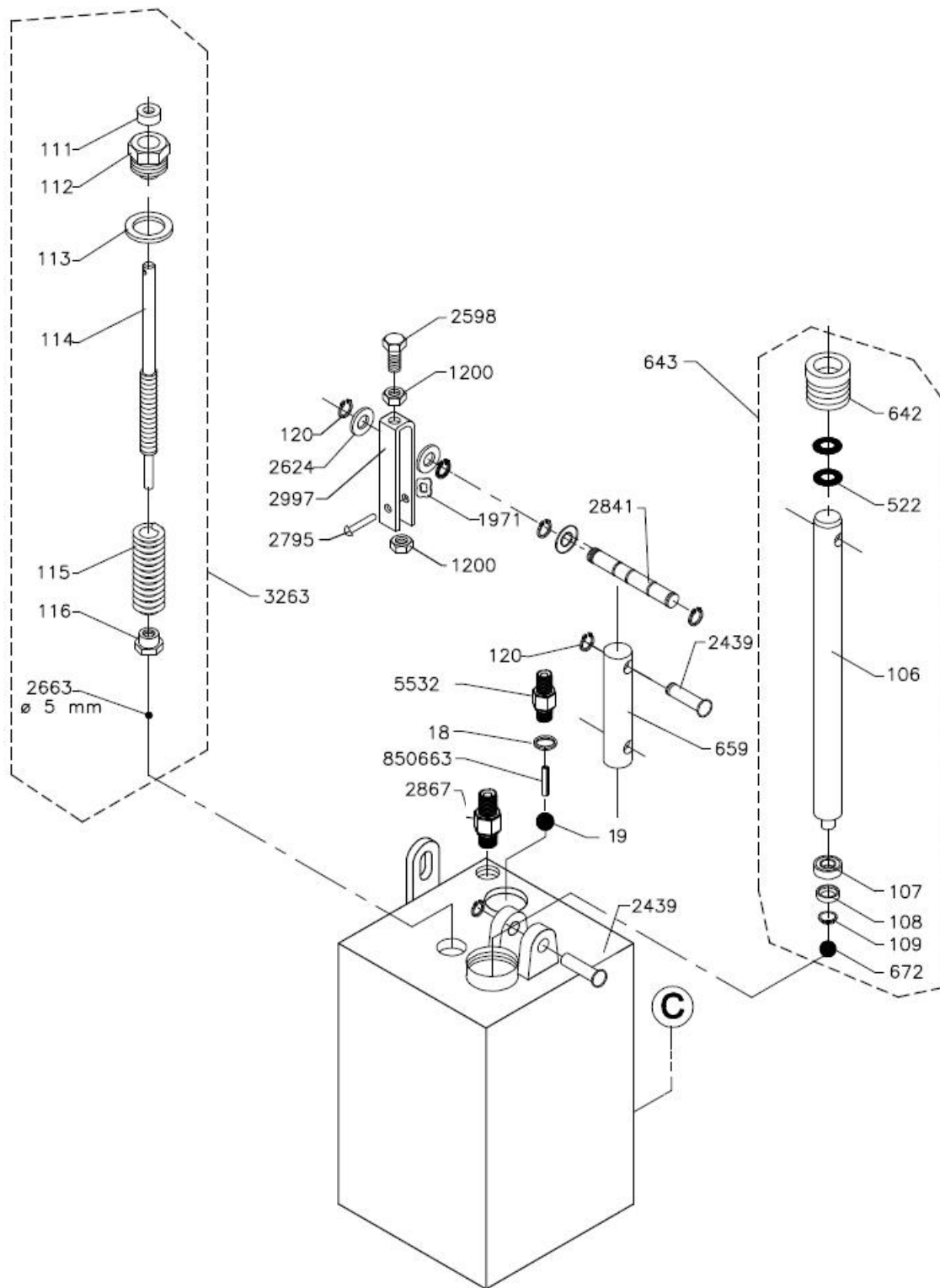
SN 08-07-2009

1

FP20 G5

No.	Dansk	Deutsch	English	Français
119	Fjeder	Feder	Spring	Ressort
120	Låsering	Seegerring	Lock ring	Circlips
166	Skruer	Schraube	Screw	Vis
175	Låsering	Seegerring	Lock ring	Circlips
375	Retteklods	Richtblock	Straightening block	Block de redressage
451	Skruer	Schraube	Screw	Vis
462	Nagle	Nagel	Rivet	Rivet
466	Møtrik	Mutter	Nut	Ecrou
655	Håndtag	Handgriff	Handle	Poignée
722	Fitting	Fitting	Fitting	Raccord
1031	låseplade	Sicherungsblech	Lock plate	Plaque de verrouillage
1226	Fodpedal	Fusshebel	Pedal	Pédale
1228	Forbindelsesstang	Verbindungsstück	Connecting piece	Barre de liaison
1230	Led, svejst	Gelenk	Link	Genou mobile
1232	Fjederholder	Beschlag f. Feder	Mounting f. spring	Ferrure
2424	Fitting	Fitting	Fitting	Raccord
2439	Nagle	Nagel	Rivet	Rivet
2828	Skruer	Schraube	Screw	Vis
2837	Manometer 20T	Manometer 20T	Manometer 20T	Manomètre 20T
2854	Trykhoved	Kolbenkopf	Pistonhead	Tête de piston
2859	Returrør	Rohr	Pipe	Tuyau de retour
2863	Trykrør	Druckrohr	Pressure pipe	Tuyau de refoulement
2861	Nagle	Nagel	Rivet	Rivet
2870	Beslag f. rør	Beschlag f. Rohr	Mounting f. pipe	Soupape de tube
2871	Hydraulik slange	Hydraulikschlauch	Hydraulic hose	Tube hydraulique
2877	Ventil, komplet	Ventil, komplett	Valve, complete	Soupape, complet
2879	Slangenippel	Stutzen f. Schlauch	Pipe branch	Tubulure pour tube
2897	Fitting	Fitting	Fitting	Raccord
2993	Vandudskiller	Wasserabscheider	Water seperator	Séparateur d'eau
2994	Bøsning	Buchse	Bushing	Manchon
2996	Konsol f. fodpedal	Ausleger f. Pedal	Bracket f. pedal	Support de pédale
3095	Skruer	Schraube	Screw	Vis
3247	Bord	Tisch	Bench	Table
3330-1	Chassis (Grøn)	Chassis (Grün)	Chassis (Green)	Chassis (Vert)
3330-12	Chassis (Rød)	Chassis (Rot)	Chassis (Red)	Chassis (Rouge)
5104	Cylinderophæng	Zylinder aufhebung	Cylinder suspension	Suspension de cylinder
5533	Manometerrør	Rohr f. Manometer	Pipe f. manometer	Tuyau p. manomètre
850456	Skruer	Schraube	screw	Vis
PP20/25 G5	Pumpe, komplet	Pumpe, komplett	Pump, complete	Pompe, complet
PC20 G5	Cylinder, komplet	Zylinder, komplett	Cylinder, complete	Cylindre, complet
061227	Fodpedalsæt, komplet	Fußhebel Satz, komplett	Pedal set, complete	Pédales, complet
060085	Pakningssæt, komplet	Dichtungssatz, komplett	Repair kit, complete	Jeu de réparation, complet

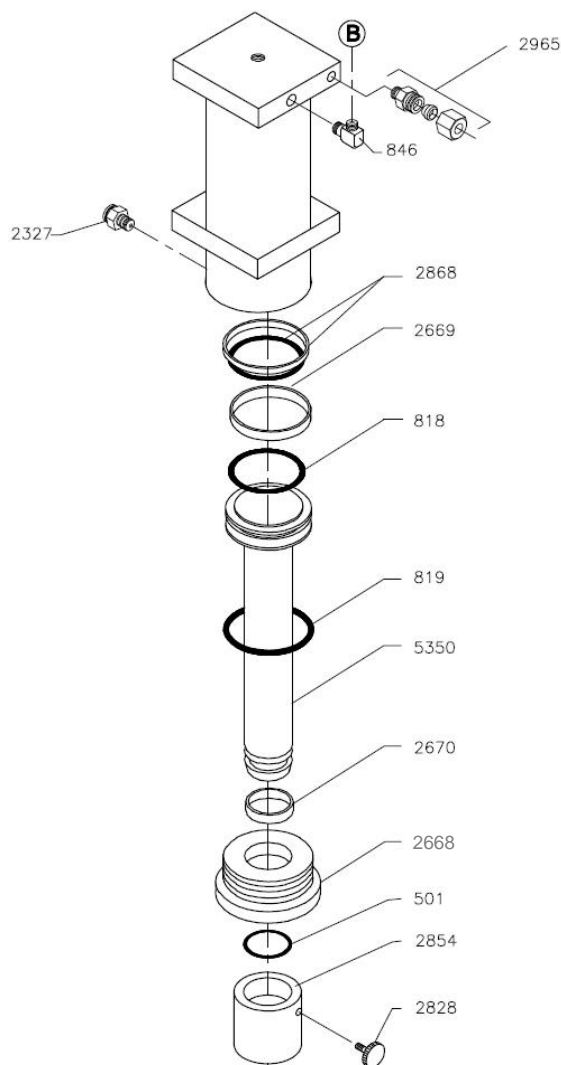
PP20/25 G5



PP20/25 G5

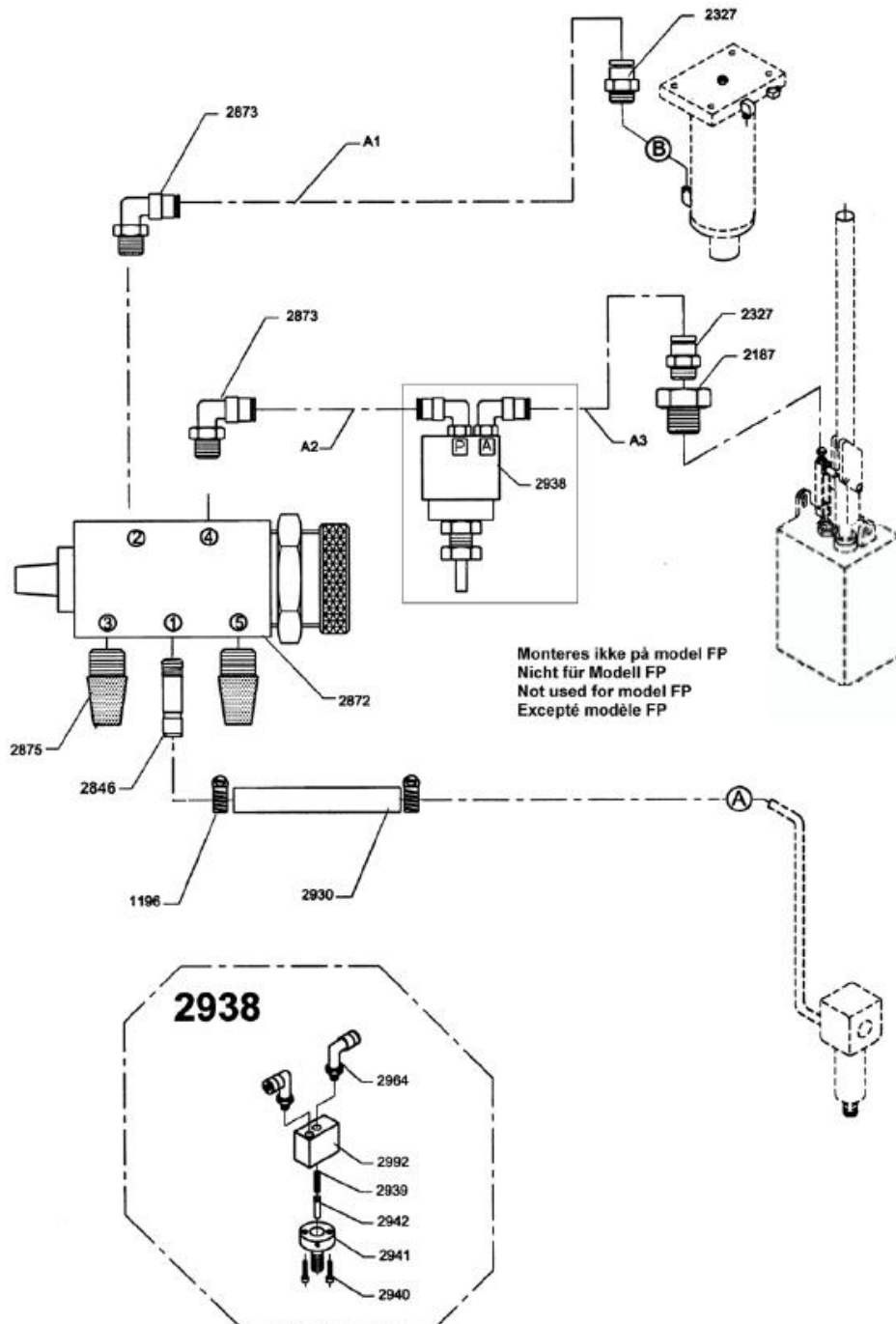
No.	Dansk	Deutsch	English	Français
*18	Kobberpakning	Kupferdichtung	Copper washer	Disque en cuivre
*19	Ventilkugle, 8 mm	Ventilkugel	Valve ball	Boule de clapet
106	Pumpestempel	Pumpenkolben	Pump piston	Piston de pompe
*107	Manchet	Manschette	Sleeve	Bague
*108	Messingring	Messingring	Brass ring	Rondelle en laiton
*109	Låsering	Sicherungsring	Lock ring	Circlips
*111	Simmerring	Simmerring	Simmer ring	Rondelle simmer
112	Pakdåse	Stopfbüchse	Stuffing box	Ecrou piston
*113	Pakning	Dichtung	Gasket	Joint d'étanchéité
114	Returspindel	Ablaufspindel	Return spindle	Pivot de retour
115	Fjeder	Feder	Spring	Ressort
116	Møtrik	Mutter	Nut	Ecrou
118	Returventil, kompl.	Ablassventil, kompl.	Return valve, compl.	Clapet de retour, compl.
120	Låsering	Sicherungsring	Lock ring	Circlips
*522	O-ring	O-Ring	O-ring	Joint torique
642	Pakdåse	Stopfbüchse	Stuffing box	Ecrou de piston
643	Pumpestempel, kompl.	Pumpenkolben, kompl.	Pump piston, compl.	Piston de pompe, compl.
659	Mellemled	Zwischenglied	Connecting link	Bielle en fourche
*672	Ventilkugle, 3/8"	Ventilkugel	Valve ball	Boule de clapet
1200	Møtrik	Mutter	Nut	Ecrou
1971	Klæmskive	Scheibe	Disc	Disque
2187	Fitting	Fitting	Fitting	Raccord
2439	Nagle	Nagel	Rivet	Rivet
2598	Bolt	Bolzen	Bolt	Boulon
2624	Skive	Scheibe	Washer	Goupille
*2663	Kugle, 5 mm	Kugel	Ball	Boule
2795	Nitte	Niet	Rivet	Rivet
2841	Nagle	Nagel	Rivet	Rivet
2997	Udløserbøjle	Beschlag	Mountings	Bras de déclenchement
5532	Nippel	Nippel	Nipple	Raccord
850663	Stift	Stift	Dowel	Grain
60090	Pakningssæt	Dichtungssatz	Repair kit	Jue de joint
*	Indeholdt i pakningssæt 60090	Im Dichtungssatz 60090 enthalten	Contained in the repair-kit 60090	Contenu dans le jeu de joint 60090

PC 20 G5



No.	Dansk	Deutsch	English	Français
*501	O-ring	O-ring	O-ring	Joint torique
*818	O-ring	O-ring	O-ring	Joint torique
*819	O-ring	O-ring	O-ring	Joint torique
846	Fitting	Fitting	Fitting	Raccord
2327	Fitting	Fitting	Fitting	Raccord
2668	Pakdåse	Stopfbüchse	Stuffing box	Ecrou piston
*2669	Føringsbånd	Buchse	Bushing	Douille
*2670	Føringsbånd	Buchse	Bushing	Douille
2828	Skruer	Schraube	Screw	Vis
2854	Trykhoved	Kolbenkopf	Pistonhead	Tête de piston
*2868	Glydring m. O-ring	Führungsring m. O-ring	Guidering w. O-ring	Joint annulaire et torique
2965	Fitting	Fitting	Fitting	Raccord
5350	Stempel	Kolben	Piston	Piston
60091	Pakningsæt	Dichtungssatz	Repair-kit	Jeu de réparation
*	Indeholdt i 60091	Im 60091 enthalten	Contained in the 60091	Contenu dans le jeu de joint 60091

2877 (HP20-AA/AR)



2877 (HP /FP 20-25)

No.	Dansk	Deutsch	English	Français
1196	Spændbånd	Klammer	Clamp	Collier de serrage
2187	Fitting	Fitting	Fitting	Raccord
2327	Luffitting	Fitting f. Luft	Air fitting	Raccord pneumatique
2846	Slangenippel	Stutzen f. Schlauch	Pipe branch	tubulure p. tube
2872	Ventil	Ventil	Valve	Soupape
2873	Fitting	Fitting	Fitting	Raccord
2875	Lyddæmper	Schalldämpfer	Sound absorber	Sourdine
2876	Slanger A1, A2, A3	Schläuche A1, A2, A3	Hoses A1, A2, A3	Tube A1, A2, A3
A1	ø6 x 520	ø6 x 520	ø6 x 520	ø6 x 520
A2	ø6 x 850	ø6 x 850	ø6 x 850	ø6 x 850
A3	ø6 x 250	ø6 x 250	ø6 x 250	ø6 x 250
2930	Slange - gummi 5/16"	Schlauch - Gummi 5/16"	Hose - rubber 5/16"	Tube - caoutchouc 5/16"
2938	Luftventil	Luftventil	Air valve	Soupape d'air

2938 (HP 20-25)

No.	Dansk	Deutsch	English	Français
2939	Fjeder	Feder	Spring	Ressort
2940	Skruer	Schraube	Screw	Vis
2941	Hus f. stift	Gehäuse f. Splint	Housing f. pin	Corps p. cheville
2942	Stift	Splint	Pin	Cheville
2964	Luffitting	Fitting f. Luft	Air fitting	Raccord pneumatique
2992	Ventil	Ventil	Valve	Soupape