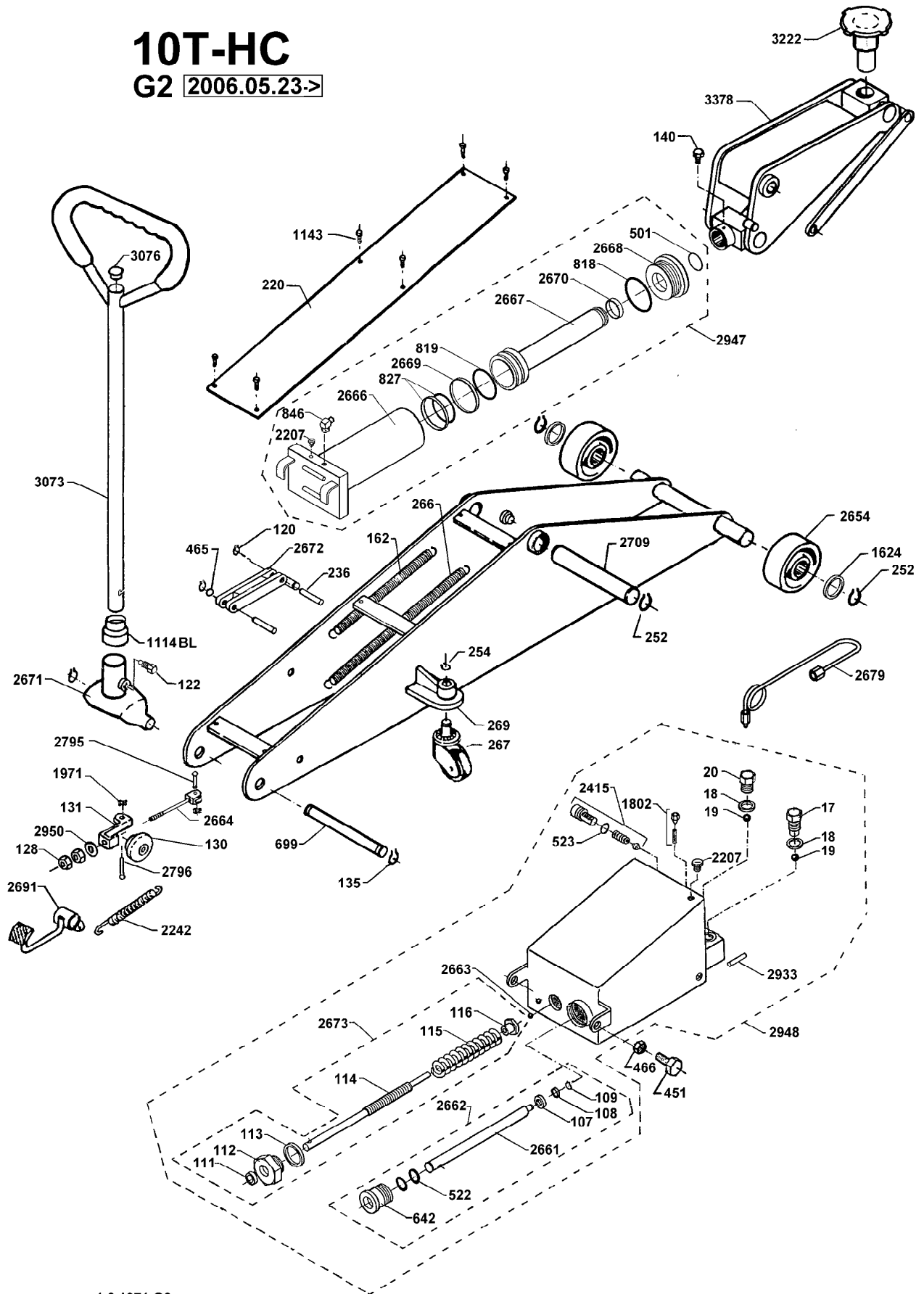


# 10T-HC

G2 2006.05.23->



1.2.1071 G2

2006.05.23

## 10T-HC G2

| No.    | DANSK                   | DEUTSCH                    | ENGLISH                     | FRANÇAIS                     |
|--------|-------------------------|----------------------------|-----------------------------|------------------------------|
| 17     | Ventilprop              | Ventilschraube             | Valve plug                  | Clapet de fermeture          |
| *18    | Kobberpakning           | Kupferdichtung             | Copper washer               | Disque en cuivre             |
| *19    | Ventilkugle, 8 mm       | Ventilkugle                | Valve ball                  | Boule de clapet              |
| 20     | Ventilprop              | Ventilschraube             | Valve plug                  | Clapet de fermeture          |
| *107   | Manchet                 | Manchette                  | Sleeve                      | Bague                        |
| *108   | Messingring             | Messingring                | Brass ring                  | Rondelle en laiton           |
| *109   | Låsering                | Seegerring                 | Lock ring                   | Circlips                     |
| *111   | Simmerring              | Simmer ring                | Simmer ring                 | Rondelle simmer              |
| 112    | Pakdåse                 | Stopfbüchse                | Stuffing box                | Ecrou piston                 |
| *113   | Pakning                 | Dichtung                   | Gasket                      | Joint d'Éanchéité            |
| 114    | Returspindel            | Ablåspindel                | Return spindle              | Pivot de retour              |
| 115    | Fjeder                  | Feder                      | Spring                      | Ressort                      |
| 116    | Møtrik                  | Mutter                     | Nut                         | Ecrou                        |
| 120    | Låsering                | Seegerring                 | Lock ring                   | Circlips                     |
| 122    | Fingerskrue             | Rändelschraube             | Knurled screw               | Vis mottée                   |
| 128    | Møtrik                  | Mutter                     | Nut                         | Ecrou                        |
| 130    | Udløserkive             | Ablåsnabe                  | Release hub                 | Moyeu de déclenchement       |
| 131    | Udløserarm              | Ablåsarml                  | release arm                 | Bras d'échappement           |
| 135    | Låsering                | Sicherungsring             | Lock ring                   | Circlips                     |
| 140    | Skruer                  | Schraube                   | Screw                       | Vis                          |
| 162    | Fjeder                  | Feder                      | Spring                      | Raccord                      |
| 220    | Dækplade                | Schutzblech                | Cover                       | Plaque de protection         |
| 236    | Nagle                   | Bolzen                     | Shaft                       | Rivet                        |
| 252    | Låsering                | Seegerring                 | Lock ring                   | Circlips                     |
| 254    | Låsering                | Seegerring                 | Lock ring                   | Circlips                     |
| 266    | Fjeder                  | Feder                      | Spring                      | Ressort                      |
| 267    | Drejehjul, kompl.       | Schwenkrolle, kompl.       | Castor wheel, compl.        | Roue pivotante compl.        |
| 269    | Konsol                  | Lenkrollenausleger         | Bracket                     | Support                      |
| 451    | Skruer                  | Schraube                   | Screw                       | Vis                          |
| 465    | Skive                   | Scheibe                    | Washer                      | Disque                       |
| 466    | Møtrik                  | Mutter                     | Nut                         | Ecrou                        |
| *501   | O-ring                  | O-ring                     | O-ring                      | Joint torique                |
| *522   | O-ring                  | O-ring                     | O-ring                      | Joint torique                |
| *523   | O-ring                  | O-ring                     | O-ring                      | Joint torique                |
| 642    | Pakdåse                 | Stopfbüchse                | Stuffing box                | Ecrou de piston              |
| 699    | Kørestangsaksel         | Achse                      | Shaft                       | Axe                          |
| *818   | O-ring                  | O-ring                     | O-ring                      | Joint torique                |
| *819   | O-ring                  | O-ring                     | O-ring                      | Joint torique                |
| *827   | Glydring m. O-ring      | Führungsring m. O-ring     | Guide ring w. O-ring        | Joint annulaire et torique   |
| 846    | Fitting                 | Fitting                    | Fitting                     | Raccord                      |
| 1114BL | Manchet                 | Manschette                 | Sleeve                      | Bague                        |
| 1143   | Skruer                  | Schraube                   | Screw                       | Vis                          |
| 1624   | Skive                   | Scheibe                    | Washer                      | Disque                       |
| 1802   | Sænkebremse, komplet    | Senkbremse, komplett       | Oil valve, complete         | Frein d'huile, complet       |
| 1971   | Klemskive               | Scheibe                    | Disc                        | Disque                       |
| 2207   | Prop                    | Verschraubung              | Plug                        | Bouchon                      |
| 2242   | Fjeder                  | Feder                      | Spring                      | Raccord                      |
| 2415   | Overtrykventil          | Überdruckventil            | Excess-pressure valve       | Soupape de surpression       |
| 2654   | Hjul                    | Rad                        | Wheel                       | Roue                         |
| 2661   | Pumpestempel            | Pumpenkolben               | Pump piston                 | Piston de pompe              |
| 2662   | Pumpestempel, kompl.    | Pumpenkolben, kompl.       | Pump piston, compl.         | Piston de pompe, compl.      |
| *2663  | Kugle, 5 mm             | Kugel                      | Ball                        | Boule                        |
| 2664   | Udløserstang            | Ablåstange                 | Release arm                 | Galet de débrayage           |
| 2666   | Cylinder                | Zylinder                   | Cylinder                    | Zylindre                     |
| 2667   | Stempel                 | Kolben                     | Piston                      | Piston                       |
| 2668   | Pakdåse                 | Stopfbüchse                | Stuffing box                | Ecrou piston                 |
| *2669  | Føringsbånd             | Buchse                     | Bushing                     | Douille                      |
| *2670  | Føringsbånd             | Buchse                     | Bushing                     | Douille                      |
| 2671   | Kørestangshoved         | Kopf f.Pumpenhebel         | Fork handle                 | Tête du levier de man.       |
| 2672   | Plejstang               | Schubstange                | Connecting rod              | Bielle de manoeuvre          |
| 2673   | Udløserspindel kompl.   | Ablåspindel kompl.         | Release spindle compl.      | Pivot de retour compl.       |
| 2679   | Trykrør                 | Druckrohr                  | Pressure pipe               | Tuyau de refoulement         |
| 2691   | Fodpedal                | Fusshebel                  | Pedal                       | Pédale                       |
| 2709   | Løftearmsaksel          | Achse                      | Shaft                       | Axe                          |
| 2795   | Nitte                   | Niet                       | Rivet                       | Rivet                        |
| 2796   | Nitte                   | Niet                       | Rivet                       | Rivet                        |
| 2933   | Stift f. pumpeophæng    | Splint                     | Pin                         | Cheville                     |
| 2947   | Cylinder komplet        | Zylinder komplett          | Cylinder complete           | Cylindre complet             |
| 2948   | Pumpe komplet           | Pumpe komplett             | Pump complete               | Pompe complet                |
| 2950   | Skive                   | Scheibe                    | Washer                      | Disque                       |
| 3073   | Kørestang               | Pumpenhebel                | Jack handle                 | Levier de manoeuvre          |
| 3076   | Nylonhætte              | Nylonmantel                | Nylon cover                 | Bouchon en nylon             |
| 3222   | Saddel                  | Sattel                     | Saddle                      | Selle                        |
| 3378   | Løftearm                | Hubarm                     | Lifting arm                 | Levier de levage             |
| 60410  | Pakningssæt, komplet    | Dichtungssatz, komplett    | Repair kit, complete        | Jeu de réparation, complet   |
| *      | Indeholdt i pakningssæt | Im Dichtungssatz enthalten | Contained in the repair-kit | Contenu dans le jeu de joint |