

Adapters/Couplings - Male/Female JIC Adapters

Male /female adapters are designed to adapt a female connection to another size and/or type of connection without the need for additional couplings. In selecting an adapter involving two different sized connections, the larger connection should be on the male end where it is possible to maximize the mechanical strength of the adapter.

To use this chart:

1. Locate MALE end in vertical column.
2. Locate desired FEMALE end of adapter across top of chart.
3. Catalog number of required adapter is located at intersection of columns.
4. For one piece adapter add-OP to suffix of part number where applicable.

Other Adapters

Parker Autoclave Engineers supplies many other types of adapters on special order. These include Parker Autoclave UniVersa-Lok swaged-type connections, socketweld to O.D. tube or nominal pipe size, male or female AN connections and others.

Materials

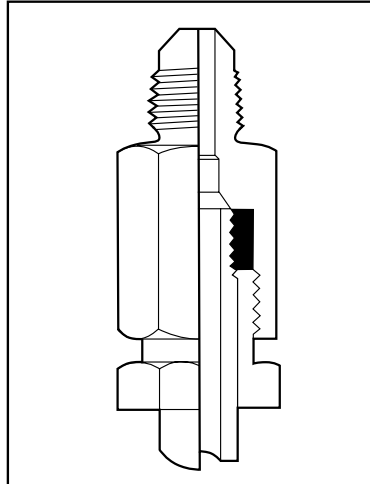
All Parker Autoclave Engineers adapters are precision machined from cold-worked Type 316 stainless steel. Other materials available on special order.

Note: Special material couplings may be supplied with four flats in place of standard hex.

| MALE END | | FEMALE END | | | | | | | | | | |
|----------------------------|-----------------|-----------------------------|----------------------------|------------------|------------------|------------------|------------------|------------------|------------------|------------------|------------------|------------------|
| | | Connection Size and Type | | JIC | | | | | | Medium Pressure | | |
| | | | | 1/4" JIC4 | 3/8" JIC6 | 1/2" JIC8 | 5/8" JIC10 | 3/4" JIC12 | 1" JIC16 | 1/4" SF250CX | 3/8" SF375CX | 9/16" SF562CX |
| | | Fits this Female Connection | Pressure Rating PSI (bar)* | 20,000 (1378.93) | 20,000 (1378.93) | 20,000 (1378.93) | 20,000 (1378.93) | 15,000 (1034.20) | 15,000 (1034.20) | 20,000 (1378.93) | 20,000 (1378.93) | 20,000 (1378.93) |
| JIC | 1/4" | JIC4 | 20,000 (1378.93) | | | | | | | 20MFAJ4M4 | 20MFAJ4M6 | 20MFAJ4M9 |
| | 3/8" | JIC6 | 20,000 (1378.93) | | | | | | | 20MFAJ6M4 | 20MFAJ6M6 | 20MFAJ6M9 |
| | 1/2" | JIC8 | 20,000 (1378.93) | | | | | | | 20MFAJ8M4 | 20MFAJ8M6 | 20MFAJ8M9 |
| | 5/8" | JIC10 | 20,000 (1378.93) | | | | | | | | | |
| | 3/4" | JIC12 | 15,000 (1034.20) | | | | | | | 15MFAJ12M4 | 15MFAJ12M6 | 15MFAJ12M9 |
| | 1" | JIC16 | 15,000 (1034.20) | | | | | | | 15MFAJ16M4 | 15MFAJ16M6 | 15MFAJ16M9 |
| | Medium Pressure | 1/4" | SF250CX | 20,000 (1378.93) | 20MFAM4J4 | 20MFAM4J6 | | | | | | |
| 3/8" | | SF375CX | 20,000 (1378.93) | | | | | | | | | |
| 9/16" | | SF562CX | 20,000 (1378.93) | | | | | | | | | |
| 3/4" | | SF750CX | 20,000 (1378.93) | 20MFAM12J4 | | | | | | | | |
| 1" | | SF1000CX | 20,000 (1378.93) | | | | | | | | | |
| High Pressure | 1/4" | F250C | 60,000 (4136.85) | 20MFAH4J4 | | | | | | | | |
| | 3/8" | F375C | 60,000 (4136.85) | | | | | | | | | |
| | 9/16" | F562C | 60,000 (4136.85) | | | | | | | | | |
| National Pipe Thread (NPT) | 1/4" | NPT | 15,000 (1034.20) | | | | | | | | | |
| | 3/8" | NPT | 15,000 (1034.20) | | 15MFAP6J6 | | | | | | | |
| | 1/2" | NPT | 15,000 (1034.20) | | | | | | | | | |
| | 3/4" | NPT | 10,000 (689.45) | | | | | | | | | |
| | 1" | NPT | 10,000 (689.45) | | | | | | | | | |

Note:
All adapters with Parker Autoclave connections are supplied with appropriate glands, collars, tube nuts and sleeves unless specified without.
JIC connections are not supplied with connection components.

* The maximum pressure rating for an adapter is determined by the connection component with the LOWEST pressure rating; that is, the two end connections and the tubing or pipe used, whichever is LOWER.
CAUTION: See appropriate pressure section in reference to proper selection of tubing.



| FEMALE END | | | | | | | | | |
|---------------------|---------------------|---------------------|---------------------|---------------------|----------------------------|---------------------|---------------------|--------------------|--------------------|
| Medium Pressure | | High Pressure | | | National Pipe Thread (NPT) | | | | |
| 3/4" F750CX | 1" F1000CX | 1/4" F250C | 3/8" F375C | 9/16" F562C | 1/4" NPT | 3/8" NPT | 1/2" NPT | 3/4" NPT | 1" NPT |
| 20,000 (1378.93) | 20,000 (1378.93) | 60,000 (4136.85) | 60,000 (4136.85) | 60,000 (4136.85) | 15,000 (1034.20) | 15,000 (1034.20) | 15,000 (1034.20) | 10,000 (689.45) | 10,000 (689.45) |
| 20MFAJ4M12 | 20MFAJ4M16 | 20MFAJ4H4 | 20MFAJ4H6 | 20MFAJ4H9 | 15MFAJ4P4 | | 15MFAJ4P8 | | |
| 20MFAJ6M12 | 20MFAJ6M16 | | 20MFAJ6H6 | | | | | | |
| 20MFAJ8M12 | 20MFAJ8M16 | | | | | | | | |
| | | | | | | | | | |
| 15MFAJ12M12 | 15MFAJ12M16 | | | | | | | | |
| 15MFAJ16M12 | 15MFAJ16M16 | | | | | | | | |
| | | | | | | | | | |
| | | | | | | | | | |
| | | | | | | | | | |
| | | | | | | | | | |
| | | | | | | | | | |
| | | | | | | | | | |
| | | | | | | | | | |
| | | | | | | | | | |
| | | | | | | | | | |
| | | | | | | | | | |
| | | | | | | | | | |

Parker AE Male/Female Adapters are available in a "one-piece" design. They are identical to the two piece designs in length and can be ordered by adding the suffix - OP to the two piece adapter part numbers listed.

For prompt service, Parker Autoclave Engineers stocks select products. Consult factory.

Adapters/Couplings - Male/Female JIC Adapters

| Male End Fits this Connection | Female End | Catalog Number | Dimension inches (mm) | |
|-------------------------------|------------|----------------|-----------------------|-------------|
| | | | A Hex | B |
| JIC to Medium Pressure | | | | |
| 1/4" JIC | SF250CX | 20MFAJ4M4 | 0.63 (15.9) | 1.25 (31.8) |
| 1/4" JIC | SF375CX | 20MFAJ4M6 | 0.75 (19.1) | 1.50 (38.1) |
| 1/4" JIC | SF562CX | 20MFAJ4M9 | 1.00 (25.4) | 1.88 (47.8) |
| 1/4" JIC | SF750CX | 20MFAJ4M12 | 1.38 (35.1) | 2.13 (54.0) |
| 1/4" JIC | SF1000CX | 20MFAJ4M16 | 1.75 (44.5) | 2.75 (69.9) |
| 3/8" JIC | SF250CX | 20MFAJ6M4 | 0.63 (15.9) | 1.25 (31.8) |
| 3/8" JIC | SF375CX | 20MFAJ6M6 | 0.75 (19.1) | 1.44 (36.5) |
| 3/8" JIC | SF562CX | 20MFAJ6M9 | 1.00 (25.4) | 1.88 (47.8) |
| 3/8" JIC | SF750CX | 20MFAJ6M12 | 1.38 (35.1) | 2.13 (54.0) |
| 3/8" JIC | SF1000CX | 20MFAJ6M16 | 1.75 (44.5) | 2.62 (66.5) |
| 1/2" JIC | SF250CX | 20MFAJ8M4 | 0.81 (20.6) | 1.63 (41.3) |
| 1/2" JIC | SF375CX | 20MFAJ8M6 | 0.81 (20.6) | 1.75 (44.5) |
| 1/2" JIC | SF562CX | 20MFAJ8M9 | 1.00 (25.4) | 1.88 (47.8) |
| 1/2" JIC | SF750CX | 20MFAJ8M12 | 1.38 (35.1) | 2.25 (57.2) |
| 1/2" JIC | SF1000CX | 20MFAJ8M16 | 1.75 (44.5) | 2.75 (69.9) |
| 3/4" JIC | SF250CX | 15MFAJ12M4 | 1.38 (35.1) | 2.00 (50.8) |
| 3/4" JIC | SF375CX | 15MFAJ12M6 | 1.38 (35.1) | 2.00 (50.8) |
| 3/4" JIC | SF562CX | 15MFAJ12M9 | 1.38 (35.1) | 2.00 (50.8) |
| 3/4" JIC | SF750CX | 15MFAJ12M12 | 1.38 (35.1) | 2.25 (57.2) |
| 3/4" JIC | SF1000CX | 15MFAJ12M16 | 1.75 (44.5) | 3.25 (82.6) |
| 1" JIC | SF250CX | 15MFAJ16M4 | 1.50 (38.1) | 2.00 (50.8) |
| 1" JIC | SF375CX | 15MFAJ16M6 | 1.50 (38.1) | 2.00 (50.8) |
| 1" JIC | SF562CX | 15MFAJ16M9 | 1.50 (38.1) | 2.25 (57.2) |
| 1" JIC | SF750CX | 15MFAJ16M12 | 1.38 (35.1) | 2.62 (66.5) |
| 1" JIC | SF1000CX | 15MFAJ16M16 | 1.75 (44.5) | 3.25 (82.6) |
| JIC to High Pressure | | | | |
| 1/4" JIC | SF250C | 20MFAJ4H4 | 0.75 (19.1) | 1.38 (35.1) |
| 1/4" JIC | SF375C | 20MFAJ4H6 | 1.00 (25.4) | 1.50 (38.1) |
| 1/4" JIC | SF562C | 20MFAJ4H9 | 1.38 (35.1) | 2.00 (50.8) |
| 3/8" JIC | SF375C | 20MFAJ6H6 | 1.00 (25.4) | 1.50 (38.1) |
| JIC to NPT | | | | |
| 1/4" JIC | 1/4" NPT | 15MFAJ4P4 | 0.94 (23.8) | 1.50 (38.1) |
| 1/4" JIC | 1/2" NPT | 15MFAJ4P8 | 1.19 (30.1) | 1.88 (47.8) |
| Medium Pressure to JIC | | | | |
| SF250CX | 1/4" JIC | 20MFAM4J4 | 0.75 (19.1) | 1.56 (39.7) |
| SF250CX | 3/8" JIC | 20MFAM4J6 | 0.81 (20.6) | 1.50 (38.1) |
| SF750CX | 1/4" JIC | 20MFAJ12J4 | 1.19 (30.1) | 2.00 (50.8) |
| High Pressure to JIC | | | | |
| F250C | 1/4" JIC | 20MFAH4J4 | 0.75 (19.1) | 1.50 (38.1) |
| NPT to JIC | | | | |
| 3/8" NPT | 3/8" JIC | 15MFAP6J6 | 0.81 (20.6) | 1.50 (38.1) |

