

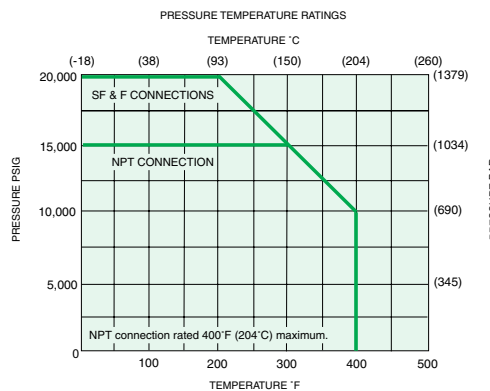
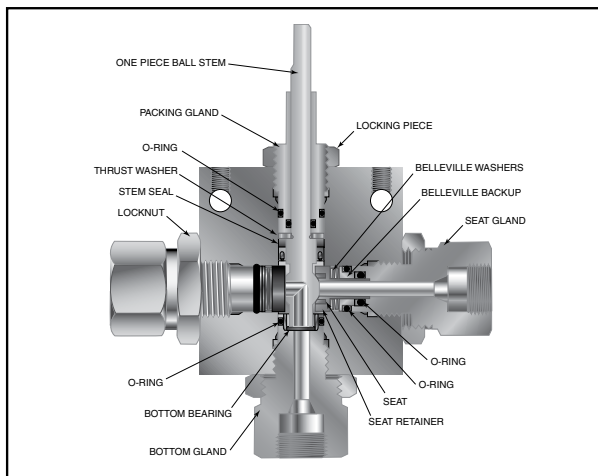
Ball Valves - 3-Way Subsea Series (3/16" orifice)

Pressures to 20,000 psi (1379 bar) .187" (4.77mm) Orifice

Connection	MAWP @ Room Temperature	Minimum Orifice inches(mm)
SF250CX20	20,000 psi (1379 bar)	.109 (2.77)
SF375CX20	20,000 psi (1379 bar)	.188 (4.77)
SF562CX20	20,000 psi (1379 bar)	.188 (4.77)
F250C	20,000 psi (1379 bar)	.094 (2.39)
F375C	20,000 psi (1379 bar)	.125 (3.17)
1/4" NPT	15,000 psi (1034 bar)	.188 (4.77)
3/8" NPT	15,000 psi (1034 bar)	.188 (4.77)

Valve C_v=.50

MAWP: Maximum Allowable Working Pressure
C_v listed is for maximum orifice size of .188 inches only.
Consult factory for C_v of valves with reduced orifice sizes.



*pressure ratings are determined by the end connections chosen, see chart.
NOTE: Maximum side connection inlet pressure 15,000 psi (1034 bar).
Maximum temperature rating is determined by the o-ring material (see descriptions below).

Maximum pressure rating is determined by the end connection (see table above).

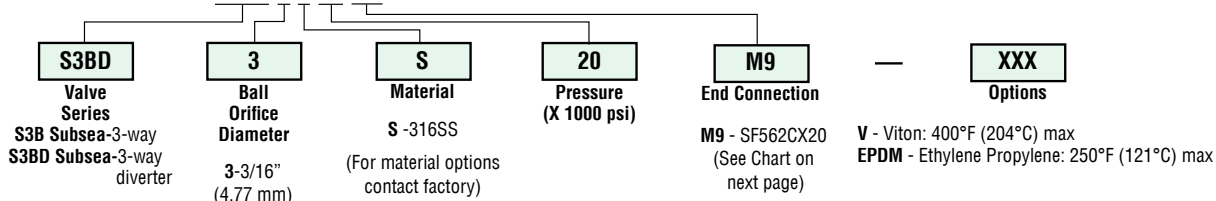
Note: Side inlet pressure not recommended. Bottom inlet pressure only.

NOTE: Ball valves are not recommended for critical gas applications such as Hydrogen, Helium or other small molecular gases.

Ordering Procedure

For complete information on available end connections, see next page. 3-way ball valves are furnished complete with tube or pipe connections. Standard valve has Buna-N o-rings [250°F (121°C)] max.

Typical catalog number: **S3BD 3 S 20 M9**



End Connection Options

Catalog Number	End Connection Number	Connection	MAWP @ Room Temperature	Seat Gland Hex Inches(mm)
S3B3S15M4 S3BD3S20M4	M4	SF250CX20	15,000 psi (1034 bar) 20,000 psi (1379 bar)	1 (25.40)
S3B3S15M6 S3BD3S20M6	M6	SF375CX20	15,000 psi (1034 bar) 20,000 psi (1379 bar)	1 (25.40)
S3B3S15M9 S3BD3S20M9	M9	SF562CX20	15,000 psi (1034 bar) 20,000 psi (1379 bar)	1 (25.40)
S3B3S15H4 S3BD3S20H4	H4	F250C	15,000 psi (1034 bar) 20,000 psi (1379 bar)	1 (25.40)
S3B3S15H6 S3BD3S20H6	H6	F375C	15,000 psi (1034 bar) 20,000 psi (1379 bar)	1 (25.40)
S3B3S15P4 S3BD3S15P4	P4	1/4" NPT	15,000 psi (1034 bar)	1 (25.40)
S3B3S15P6 S3BD3S15P6	P6	3/8" NPT	15,000 psi (1034 bar)	1 (25.40)

See ball valve option/detail section for end connection details, material, and high temperature options.



*The Diverter Valve design permits inlet flow through the bottom port. Outlet flow may be diverted to either valve side port.

