



P2N6G™ / P2NA6G™ Gas Mini Valve

1/8" Bore Soft Seat Gas Mini Valve



Parker Phoenix Precision Brand

Table of Contents

Overview, Features and Benefits	3
Technical Specifications	4
Bonnet Characteristics	5
Stem and Seat Characteristics	6
Model Numbering System	7



P2N6G™ / P2NA6G™ : 1/8" Bore Soft Seat Gas Mini Valve

The Parker Phoenix N6G Gas Mini Valve is designed specifically for the natural gas industry. It features a double O-ring design with a TFE backup ring below the threads, backseating capability, blowout proof stem, and a unique seat design for pressure up to 6,000 psi.

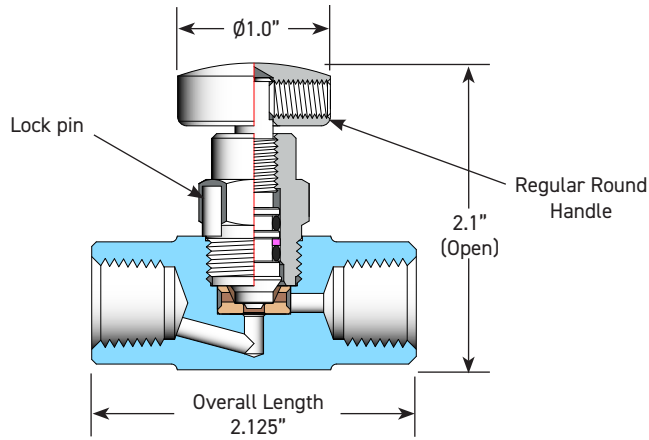
It is available with a variety of rupture discs with varying pressure ratings from 1,800 psi to 5,000 psi.



Standard Features	Benefits
Hydrotested at 150% of rated pressure (shell test). Nitrogen gas tested to 2000 psi.	Complies with ASME B31.1 & B31.3 shell testing procedures as standard. Ensures structural integrity of valve.
Seat tightness (zero leakage) verified to 110% of rated pressure. Nitrogen gas tested to 2000 psi.	Complies with ASME B31.1 & B31.3 seat testing procedures as standard. Ensures zero leakage at seats for proper calibration.
Packing below stem threads	Prevents corrosion of critical stem threads
Metal body-to-bonnet seals are in compression, not tension	Mitigates risk of stress cracking
Stem threads are rolled, not cut	Higher quality stem for longer service life
8 RMS stem finish	Extended packing life
V-Style Teflon™ packing	30-40% less operational torque and less frequent packing adjustments than traditional Teflon™ packed valves
Pressure component materials sourced from the US, Canada or Europe	Reliable material traceability. MTR's provided with every order for pressure containing components.

P2N6G™ / P2NA6G™ : Technical Specifications

O-Ring Bonnet Assembly

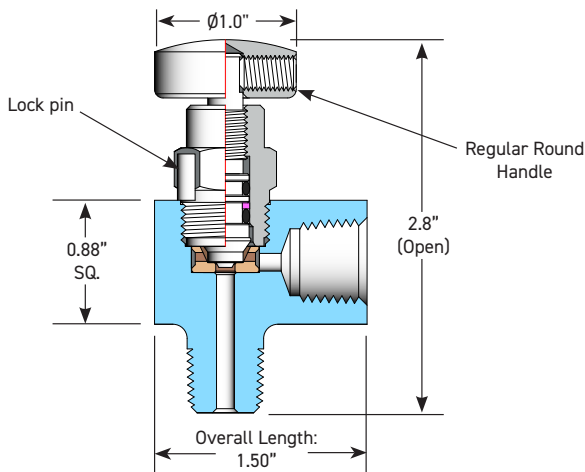


Specifications:

Type: P2N6G, Gas Valve, Globe Pattern
 Rating: Up to 6000 psi @ 100°F (41370 kPa @ 38°C)
 Stem: Flat tip
 Packing: Viton™ or Aflas™ O-ring
 Seat: Delrin™, Optional Peek™ and Kel-F™
 Handle: Removable
 Bore Size: 1/8"
 Inlet Connections: 1/8" to 1/4" NPT
 Outlet Connections: 1/8" to 1/4" NPT
 Bonnet Lock: Pin
 Body Stock: .875" Sq.
 Weight: 0.35 - 0.40 lbs
 Special Service: O2 or CL cleaning available*

*Other specifications or services may be available.

Angle Body Assembly

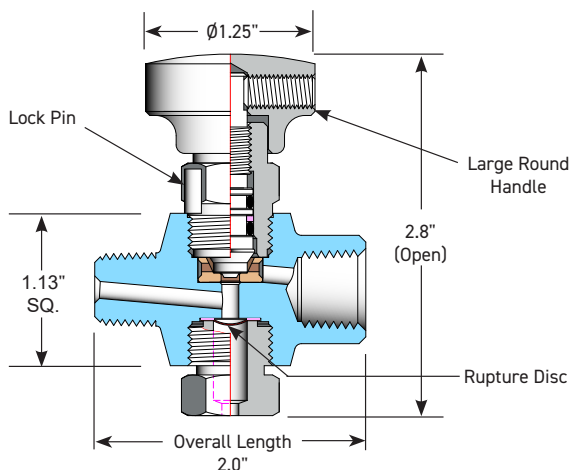


Specifications:

Type: P2NA6G, Gas Valve, Globe Pattern
 Rating: Up to 6000 psi @ 100°F (41370 kPa @ 38°C)
 Stem: Flat tip
 Packing: Viton™ or Aflas™ O-ring
 Seat: Delrin™, Optional Peek™ and Kel-F™
 Handle: Removable
 Bore Size: 1/8"
 Inlet Connections: 1/8" to 1/4" NPT
 Outlet Connections: 1/8" to 1/4" NPT
 Bonnet Lock: Pin
 Body Stock: 1.5" x 1.5" x 0.875"
 Weight: 0.4 lbs
 Special Service: O2 or CL cleaning available*

*Other specifications or services may be available.

Rupture Disc Valve Assembly



Specifications:

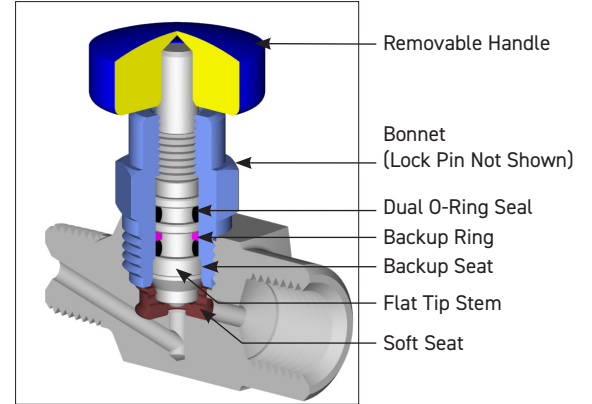
Type: P2N6G-RPD, Rupture Valve, Globe Pattern
 Rating: Up to 5000 psi @ 100°F (12410 kPa @ 38°C)
 Stem: Flat tip
 Packing: Viton™ or Aflas™ O-ring
 Seat: Delrin™, Optional Peek™ and Kel-F™
 Handle: Removable
 Bore Size: 1/8"
 Inlet Connections: 1/8" to 1/4" NPT
 Outlet Connections: 1/8" to 1/4" NPT
 Bonnet Lock: Pin
 Body Stock: 2.0" x 1.125" x 1.125"
 Weight: 0.5 lbs
 Special Service: O2 or CL cleaning available*

*Other specifications or services may be available.

P2N6G™ / P2NA6G™: Bonnet Characteristics

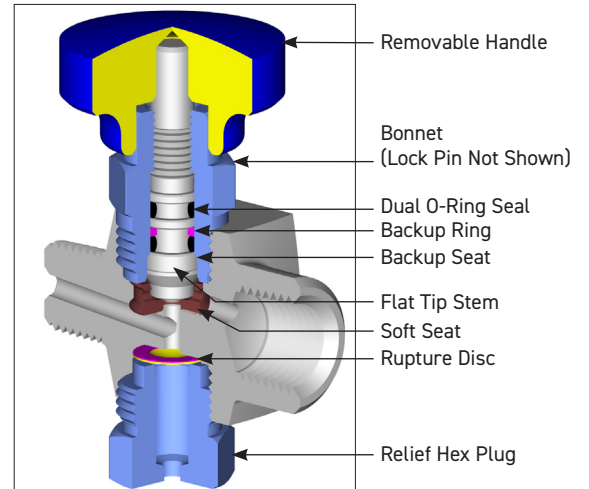
O-Ring Bonnet Assembly

Standard Materials					
Valve	Body	Bonnet	Stem	Handle	Packing
CS	ASTM A108CS	ASTM A108CS	ASTM A582 303SS	Anodized Aluminum	Dual Viton™ O-ring with Teflon™ backup ring
SC	ASTM A105CS	ASTM A182 316SS	ASTM A182 316SS		
316SS	ASTM A182 316SS	ASTM A182 316SS	ASTM A182 316SS		



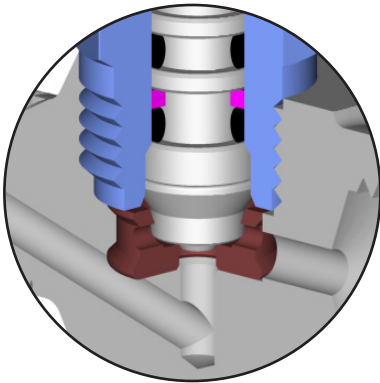
Rupture Disc Valve Assembly

Standard Materials					
Valve	Body	Bonnet	Stem	Disc	Packing
CS	ASTM A108CS	ASTM A108CS	ASTM A582 303SS	Incoloy™	Dual Viton™ O-ring with Teflon™ backup ring
SC	ASTM A105CS	ASTM A182 316SS	ASTM A182 316SS		
316SS	ASTM A182 316SS	ASTM A182 316SS	ASTM A182 316SS		



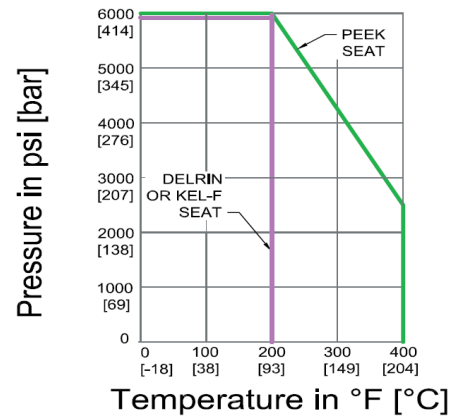
P2N6G™ / P2NA6G™: Stem and Seat Characteristics

Stem Tips



Mini Soft Seat Unique Flat
Tip Design Rated Up to 6000 psi

Pressure vs. Temperature (Soft Seat)



Note: Body material specifications based on ASME B16.34 - 2009. Packing material ratings based on manufacturer's specifications. Approximations only. Phoenix does not represent these values as finite. They are provided only as representative values.

P2N6G™ / P2NA6G™ : Model Numbering System

Phoenix	Orifice Size	Type	Inlet Size	Inlet Type	Outlet Size	Outlet Type	Material	Packing	Seat	Stem Tip	Option Codes	Description
P	2 1/8"	NG6	2 1/8"	F FNPT	2 1/8"	F FNPT	SS ASTM A182 316/316L	A Aflas™	D Delrin™	Flat Tip Standard (leave blank)	CC	Chlorine Clean
		NA6G (Angle Body)	4 1/4"	M MNPT	4 1/4"	M MNPT	SC ASTM A105 CS**	V Viton™ (FKM)	P Peek™		OC	Oxygen Clean
							CS ASTM A108 CS**		K Kel-F™		SN	SilcoNert™ Coating
							C5 ASTM A350 LF2				SGI	Sour Gas ISO NACE Latest Rev.
							N4 Monel™ 400				RL (R)(B)	Round Large Handle Aluminum (Red)(Blue)
							N6 Inconel™ 625				RC	Round Handle CS
							N8 Inconel™ 825				RS	Round Handle SS
							N2 Hastelloy™ C276				N4	Monel™ 400 Stem
											N5	Monel™ 500 Stem
											N6	Inconel™ 625 Stem
											N8	Inconel™ 825 Stem
											N2	Hastelloy™ C276 Stem
											RPD	Rupture Disc Incoloy™
											TG	SS Tag
EXAMPLE: P2NG64M4FCSVD = 1/8" Orifice, Gas Valve, 1/4" MNPT Inlet, 1/4" FNPT Outlet, A108 CS Body, FKM Packing, Delrin™ Seat, Flat Tip Stem												
P	2	NG6	4	M	4	F	CS	V	D			
* For code applications, A108 CS is unacceptable, A105 CS must be selected for CS valves.												

Use with Confidence, Parker Phoenix Precision Products Meet the Following Specifications:

- ASME B31.1 Power Piping
- ASME B31.3 Process Piping
- ASME B16.34 Valves - Flanged, Thread, and Welding End
- API 598 Valve Inspection and Testing
- MSS SP-25 Standard Marking Systems for Valves, Fittings and Flange Unions
- MSS SP-99 Instrument Valves
- MSS SP-105 Instrument Valves for Code Applications
- NACE MR0175 for all 316SS valves and A105CS body/316SS bonnet (SC Material Code)

Seal and Seat Material Temperature Rating

Code	Description	MIN. TEMP	MAX. TEMP
A	Aflas™	15°F (-10°C)	400°F (204°C)
V	Viton™	-20°F (-29°C)	400°F (204°C)
D	Delrin™	-40°F (-40°C)	200°F (93°C)
P	Peek™	-40°F (-40°C)	400°F (204°C)
K	Kel-F™	-100°F (-73°C)	200°F (93°C)

Parker Hannifin Corporation
Instrumentation Products Division
1005 A Cleaner Way
Huntsville, AL 35805 USA
phone 256 881 2040
fax 256 881 5072
www.parker.com/ipd

Parker Phoenix P2N6G™ / P2NA6G™ Gas Mini Valve
PPL-CAT-P2N6G-P2NA6G-001 May 2024

© 2024 Parker Hannifin Corporation



parker.com/ipd