



---

# P3FA™ / P6FA™ Flange Adapter

Flange Adapter for Manifold



Parker Phoenix Precision™ Brand

# Table of Contents

Overview and Dimensional Specifications ..... 3

Typical Assemblies ..... 4

Model Numbering System ..... 5

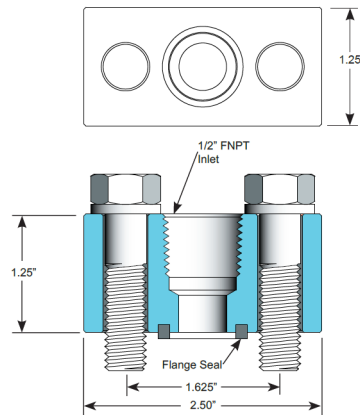


## P3FA™ / P6FA™ : Flange Adapter

The Parker Phoenix™ P3FA™ or P6FA™ Flange Adapter is designed to connect to a flange by flange manifold configuration. This flange adaptation can be connected to any type of metering line, butt weld, socket weld, threaded, etc. The accessories include, two 7/16-20 UNF hex head bolts, washers, and one flange seal.

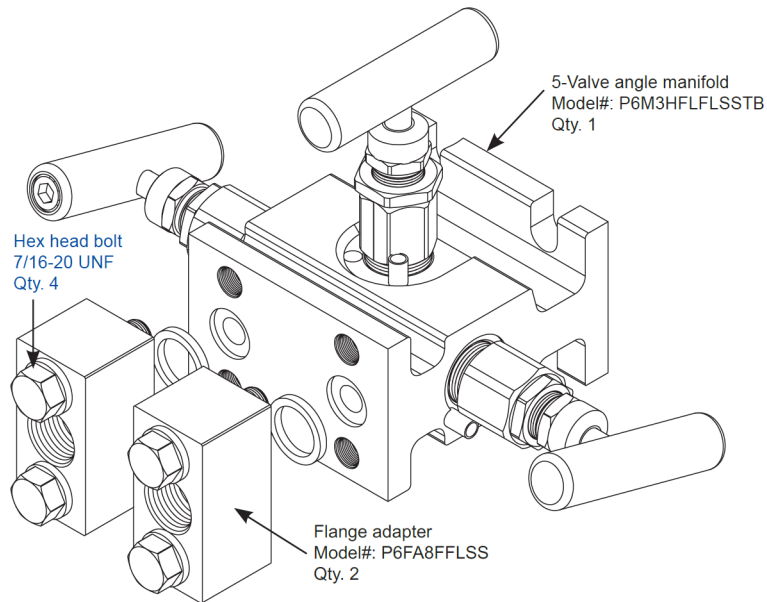


## P3FA™ / P6FA™ : Dimensional Specifications

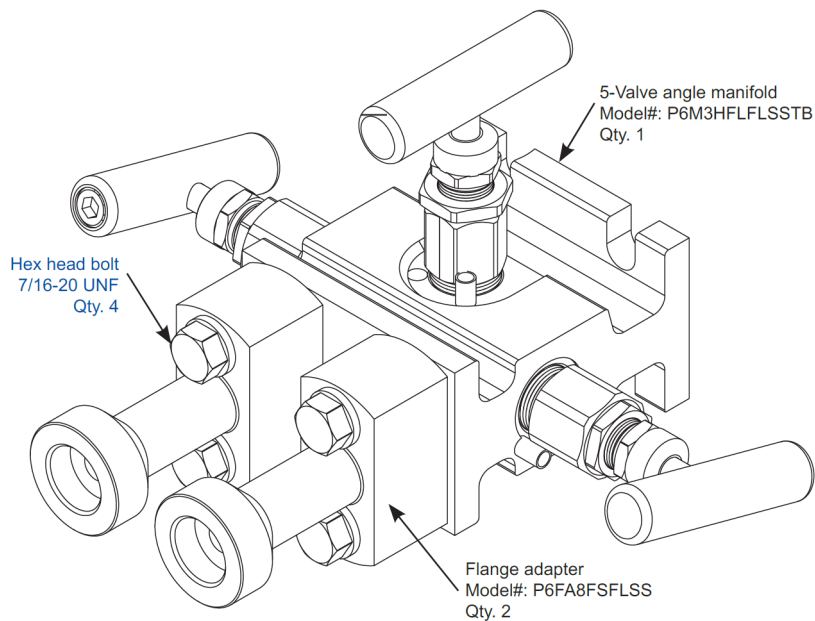


## P3FA™ / P6FA™ : Typical Assemblies

Typical application of the Female NPT Flange Adapter to a Flange by Flange Manifold (exploded view)



Typical application of the Female Socket Weld Flange Adapter to a Flange by Flange Manifold (assembled view)



## P3FA™ / P6FA™ : Model Numbering System

| Phoenix   | Orifice Size | Type | Inlet Size | Inlet Type                   | Outlet Type  | Material                       | - | Bolt Length  | Bolt Options |
|---|--------------|------|------------|------------------------------|--------------|--------------------------------|---|--------------|--------------|
| P   | 3<br>3/16"   | FA   | 4<br>1/4"  | F<br>FNPT                    | FL<br>Flange | SS<br>ASTM<br>A182<br>316/316L |   | 175<br>1.75" | SS           |
|   | 6<br>3/8"    |      | 8<br>1/2"  | M<br>MNPT                    |              | CS<br>ASTM<br>A108 CS**        |   | 200<br>2.0"  | CS           |
|   |              |      |            | MS*<br>Male Socket<br>Weld   |              |                                |   | 250<br>1.5"  | B7M          |
|   |              |      |            | FS*<br>Female Socket<br>Weld |              |                                |   | 300<br>3.0"  | B16          |
|   |              |      |            | BW<br>Butt Weld              |              |                                |   |              |              |
| EXAMPLE: <b>P6FA8FFLSS-175SS</b> = Flange adapter, 3/8" Bore, 1/2" FNPT Inlet, Integral Flange Outlet, 316SS, 1.75" length and stainless steel bolt |              |      |            |                              |              |                                |   |              |              |
| P   | 6            | FA   | 8          | F                            | FL           | SS                             | - | 175          | SS           |
| <b>Note:</b> Standard Bolting Options, CS - carbon steel, Gr.8, zinc plated bolts; SS - stainless steel, 18.8 (304SS) bolts.                        |              |      |            |                              |              |                                |   |              |              |

### Use with Confidence, Parker Phoenix Precision Products Meet the Following Specifications:

- ASME B31.1 Power Piping
- ASME B31.3 Process Piping
- ASME B16.34 Valves - Flanged, Thread, and Welding End
- API 598 Valve Inspection and Testing
- MSS SP-25 Standard Marking Systems for Valves, Fittings and Flange Unions
- MSS SP-99 Instrument Valves
- MSS SP-105 Instrument Valves for Code Applications
- NACE MR0175 for all 316SS valves and A105CS body/316SS bonnet (SC Material Code)

Parker Hannifin Corporation  
**Instrumentation Products Division**  
1005 A Cleaner Way  
Huntsville, AL 35805 USA  
phone 256 881 2040  
fax 256 881 5072  
[www.parker.com/ipd](http://www.parker.com/ipd)

Parker Phoenix P3FA™/ P6FA™ - Flange Adapter  
**PPL-CAT-P3FA-P6FA-001**    **May 2024**

© 2024 Parker Hannifin Corporation



[parker.com/ipd](http://parker.com/ipd)